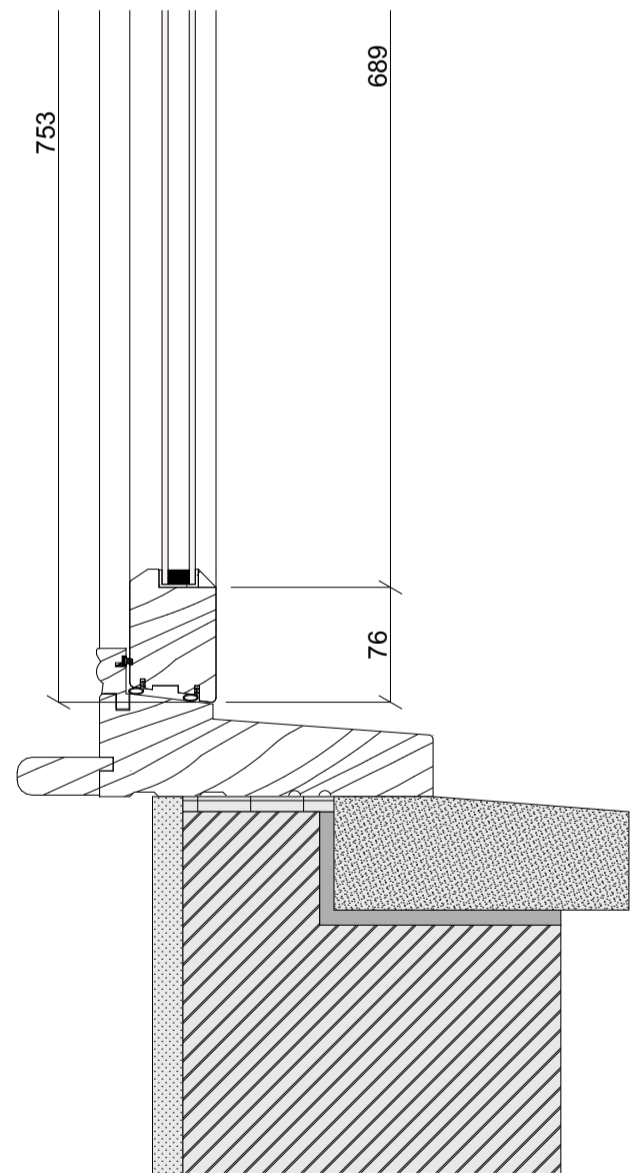
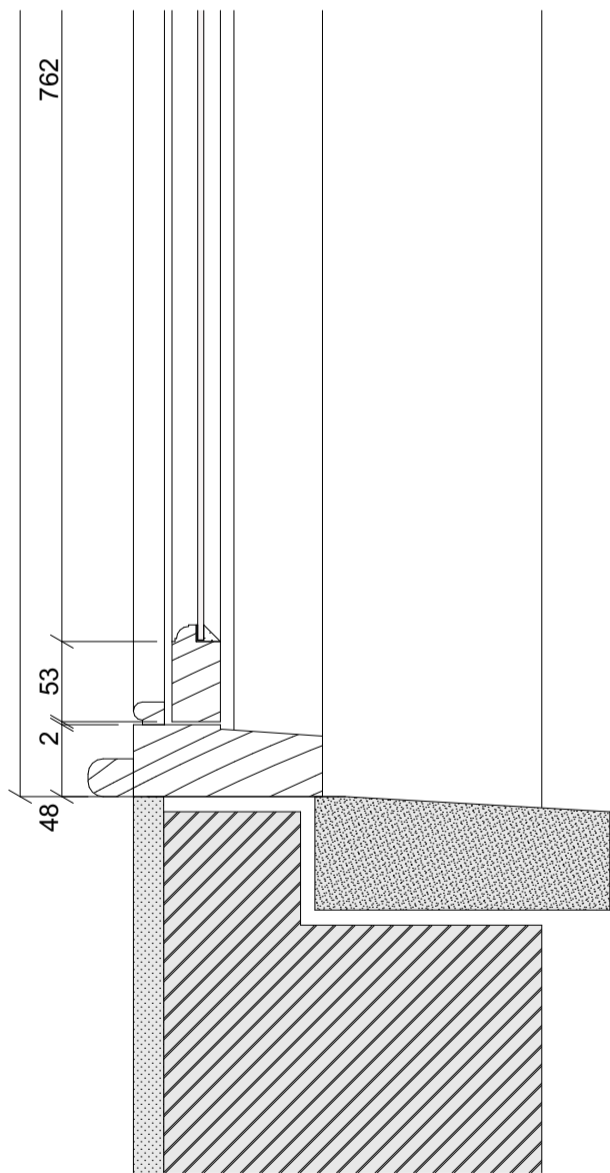
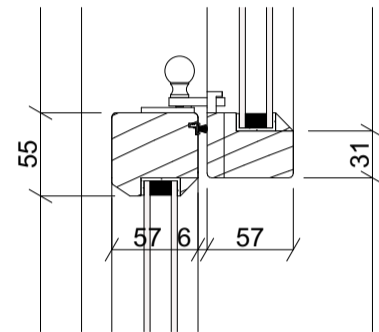
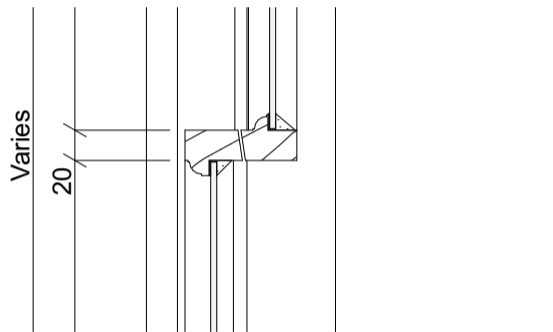
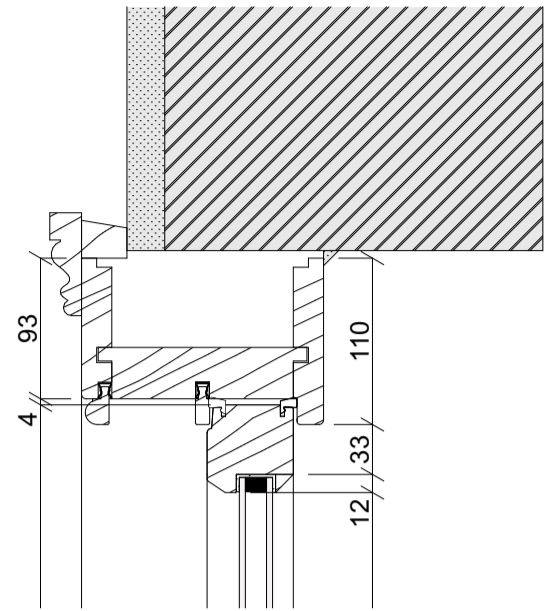
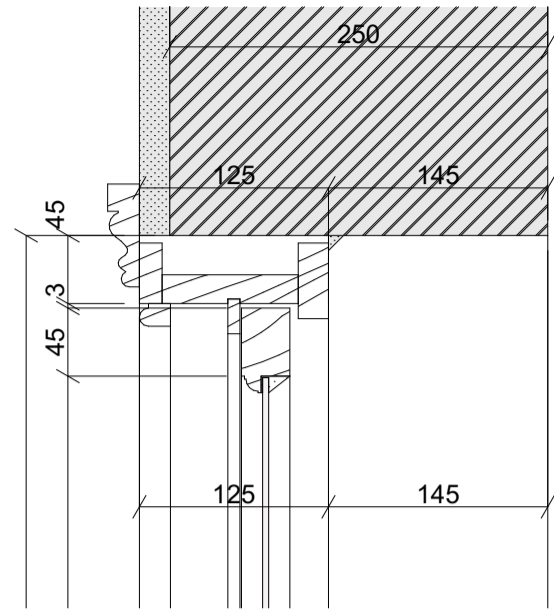
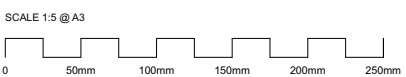


Window Details



2 Existing Window Section 1:5

1 Proposed Window Section 1:5



Rev	Description	Date of Issue

PROJECT: 2 Well Road
 STATUS: Planning
 JOB No: 480 DWG No.: 480-023 Rev No.: Date: 16/08/2023

northarchitects
 32 Bayston Road, London, N16 7LT
 T: 020 3286 6817 | E: info@northarchitects.co.uk | W: northarchitects.co.uk

DRAWING TITLE:
Upper Floor Windows - Sections

General Notes
 1. This drawing is prepared solely for the purpose noted. It is not intended or suitable for other purposes and should not be used as such
 2. All dimensions must be checked on site and discrepancies verified with the Architect
 3. Drawing to be read in conjunction with all specifications and schedules, and other consultants drawings.