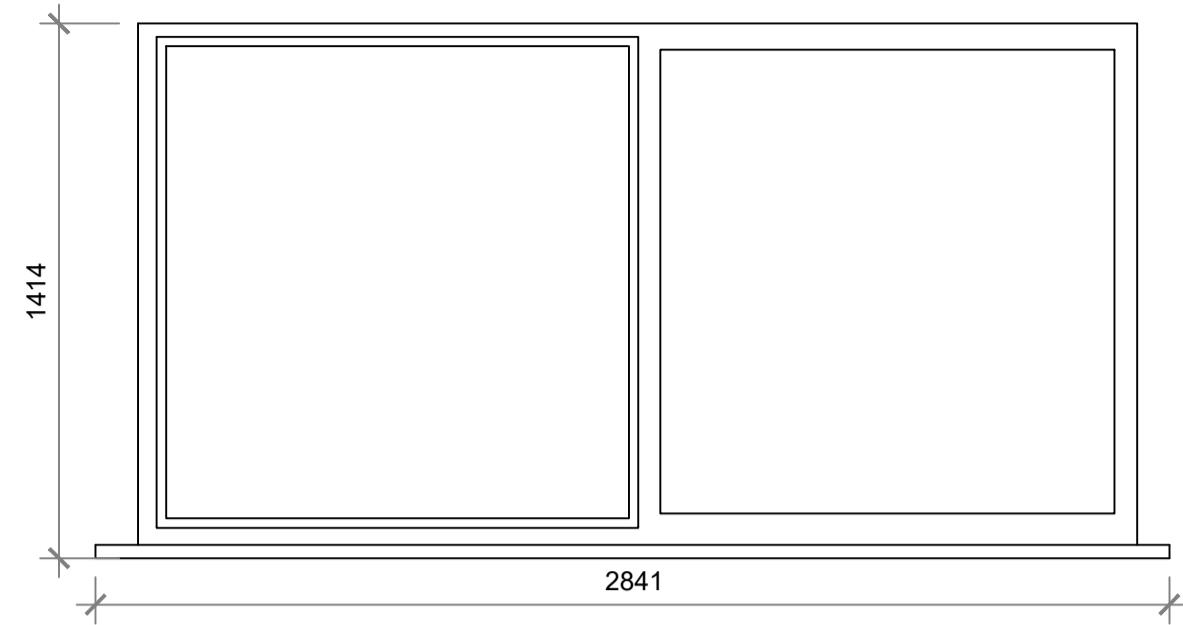


Ingleton Wood LLP shall have no liability to the Employer arising out of any unauthorized modification or amendment to, or any transmission, copy or use of the material, or any proprietary work contained therein, by the Employer, Other Project Team Member, or any other third party. All dimensions are to be checked and verified on-site by the Main Contractor prior to commencement; any discrepancies are to be reported to the Contract Administrator.

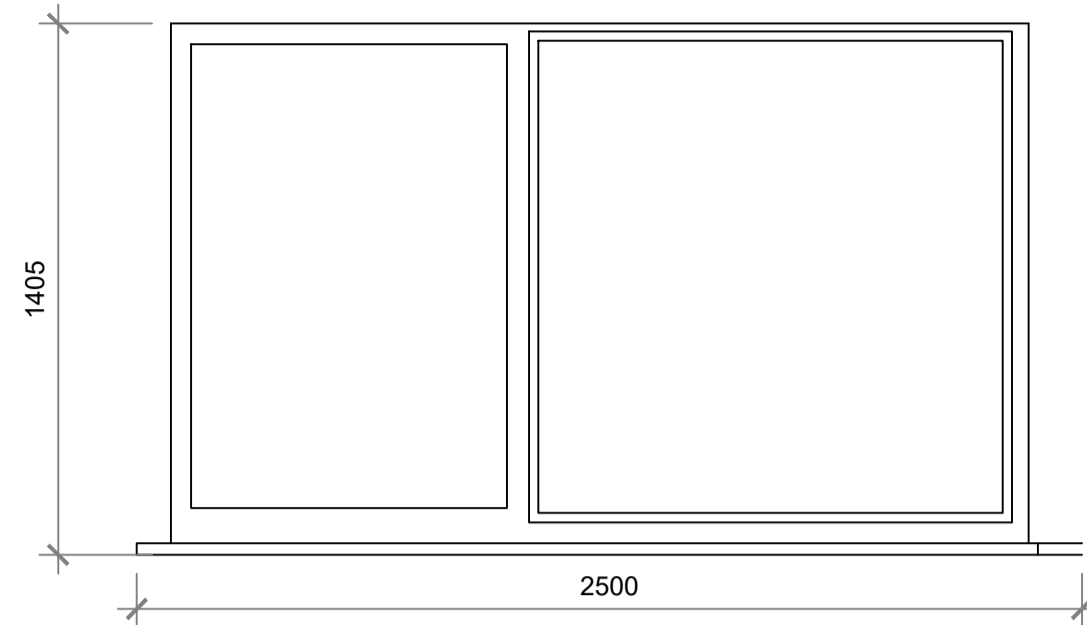
This drawing is to be read in conjunction with all other relevant drawings and specifications.
Do Not Scale © Ingleton Wood LLP



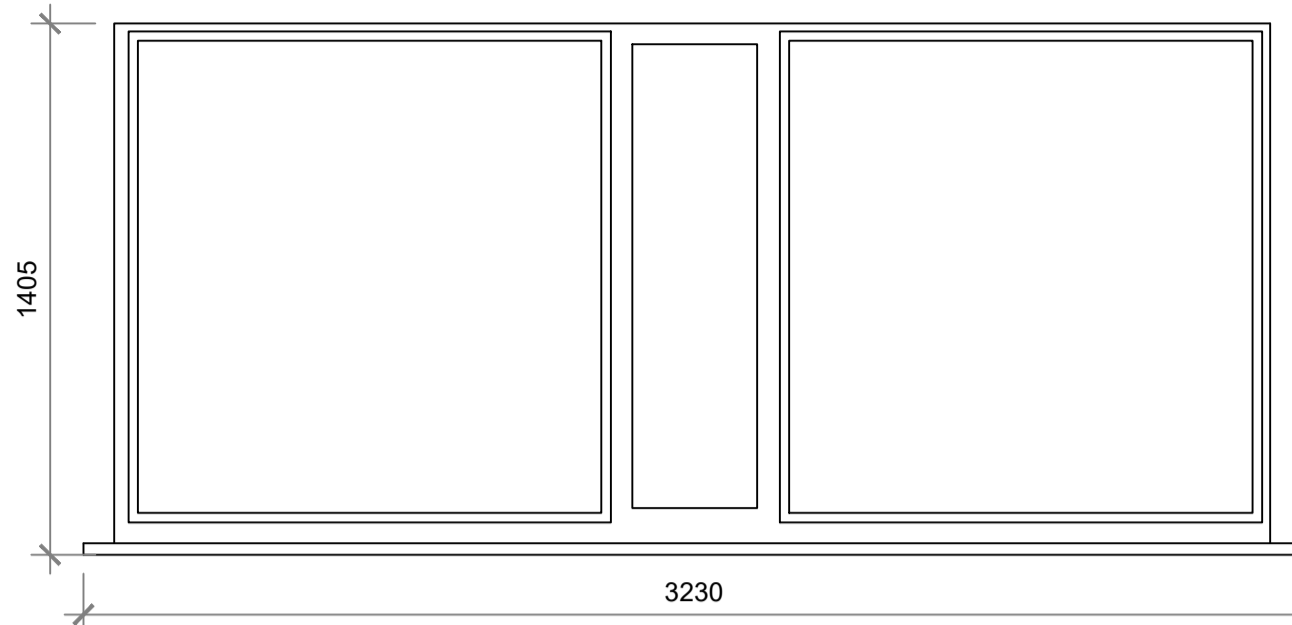
Type A



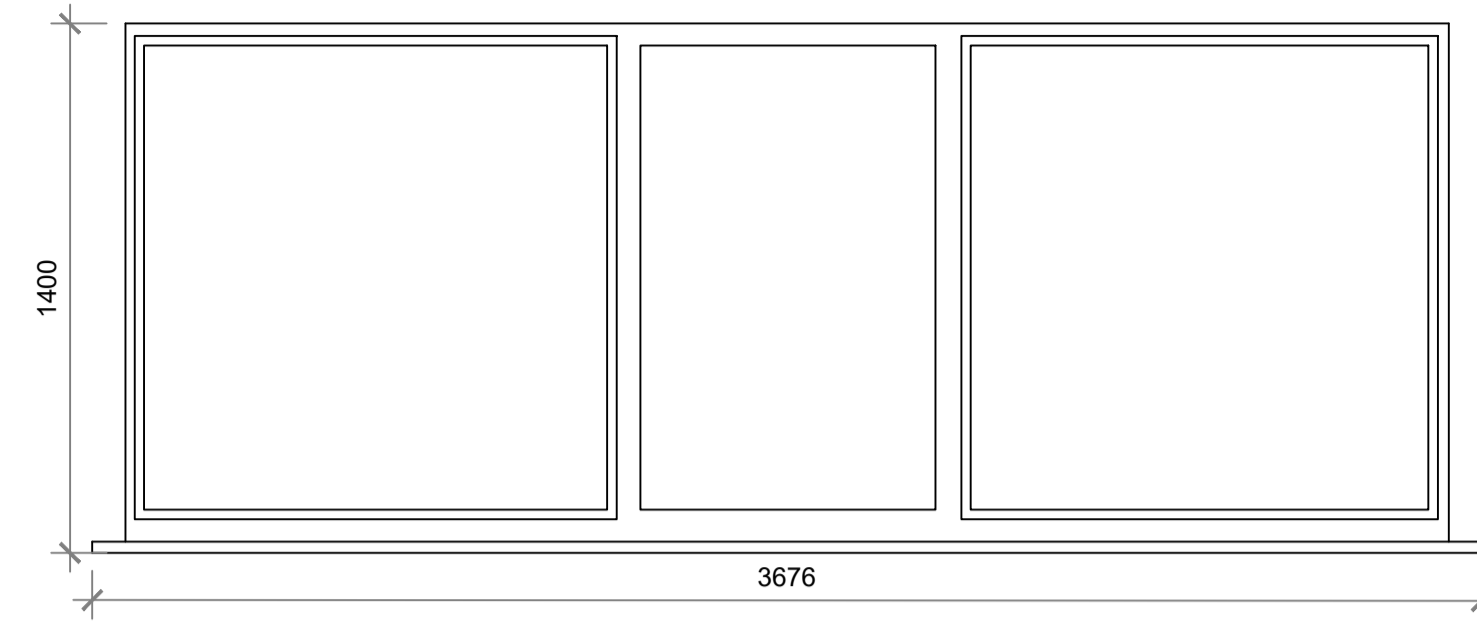
Type B



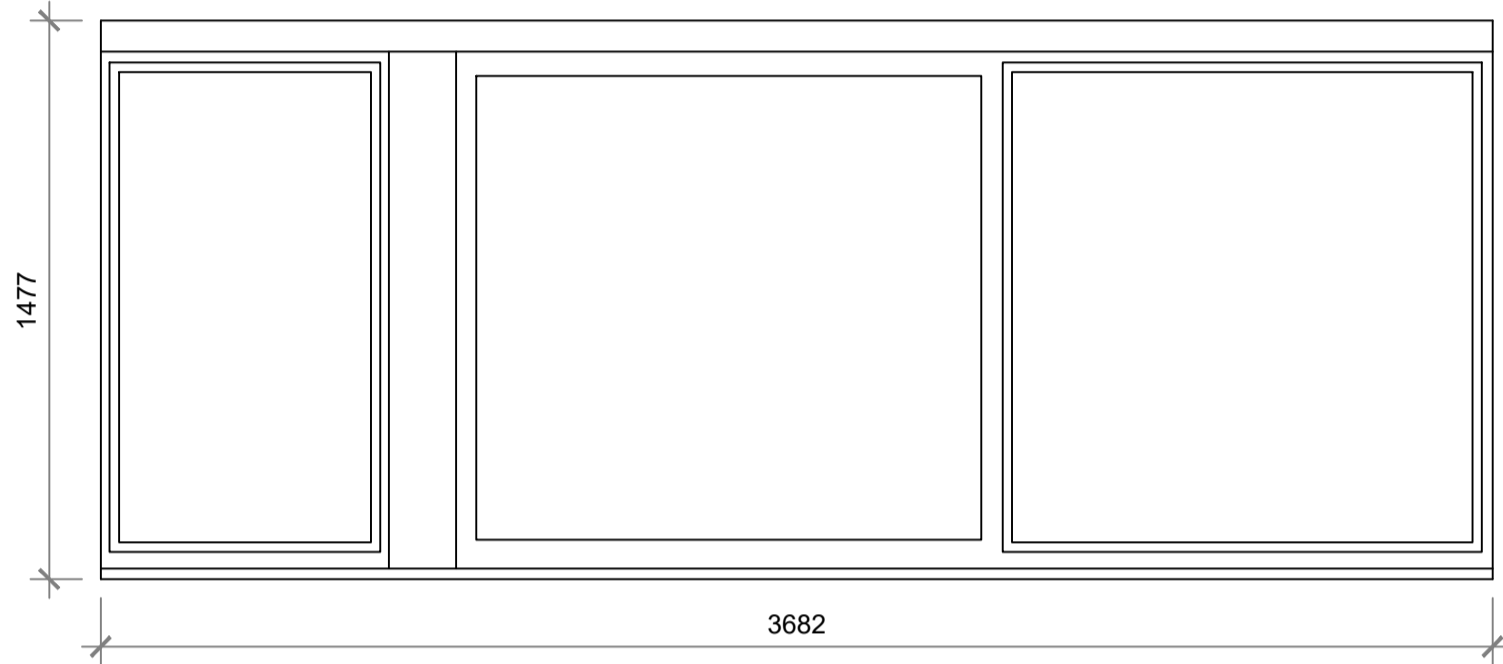
Type C



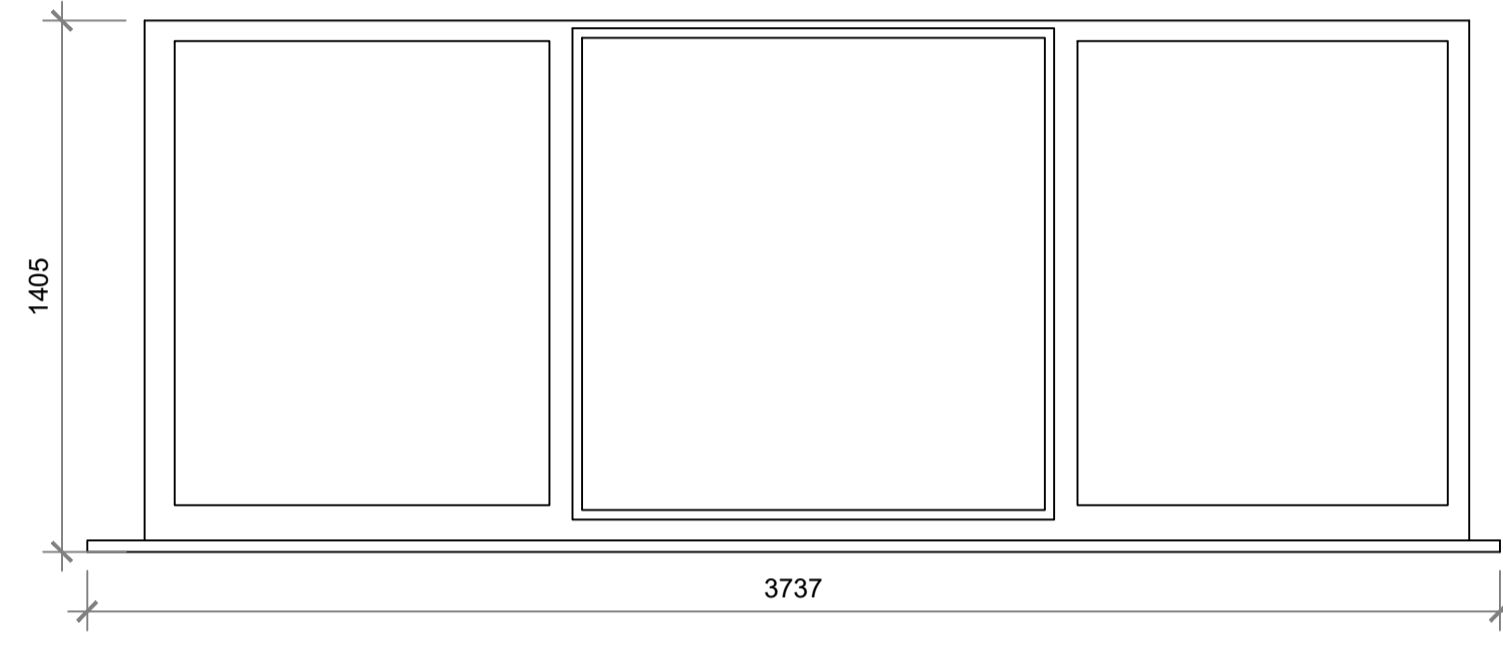
Type D



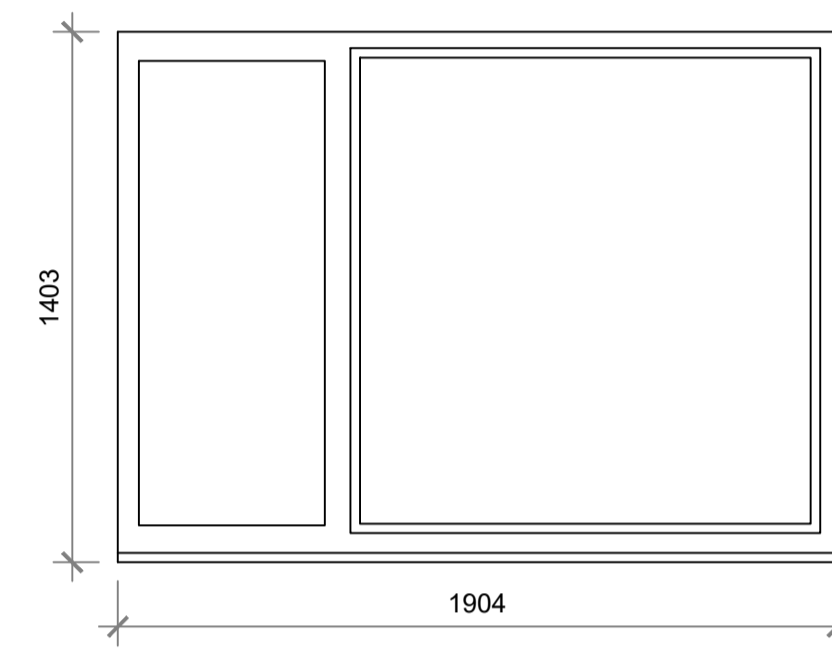
Type E



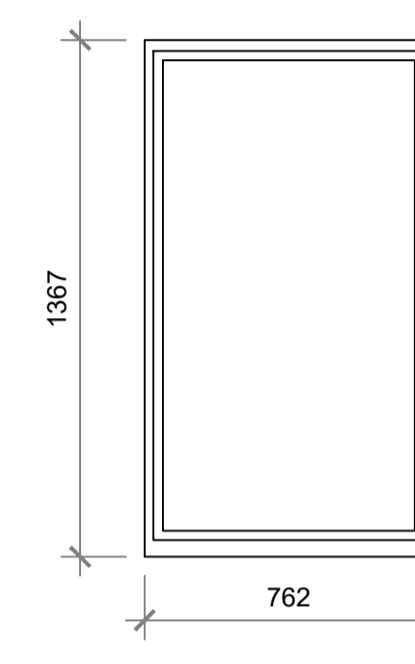
Type F



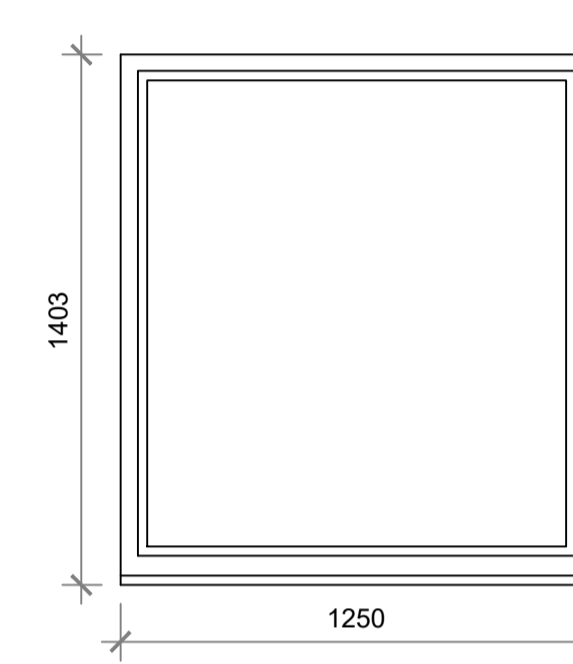
Type G



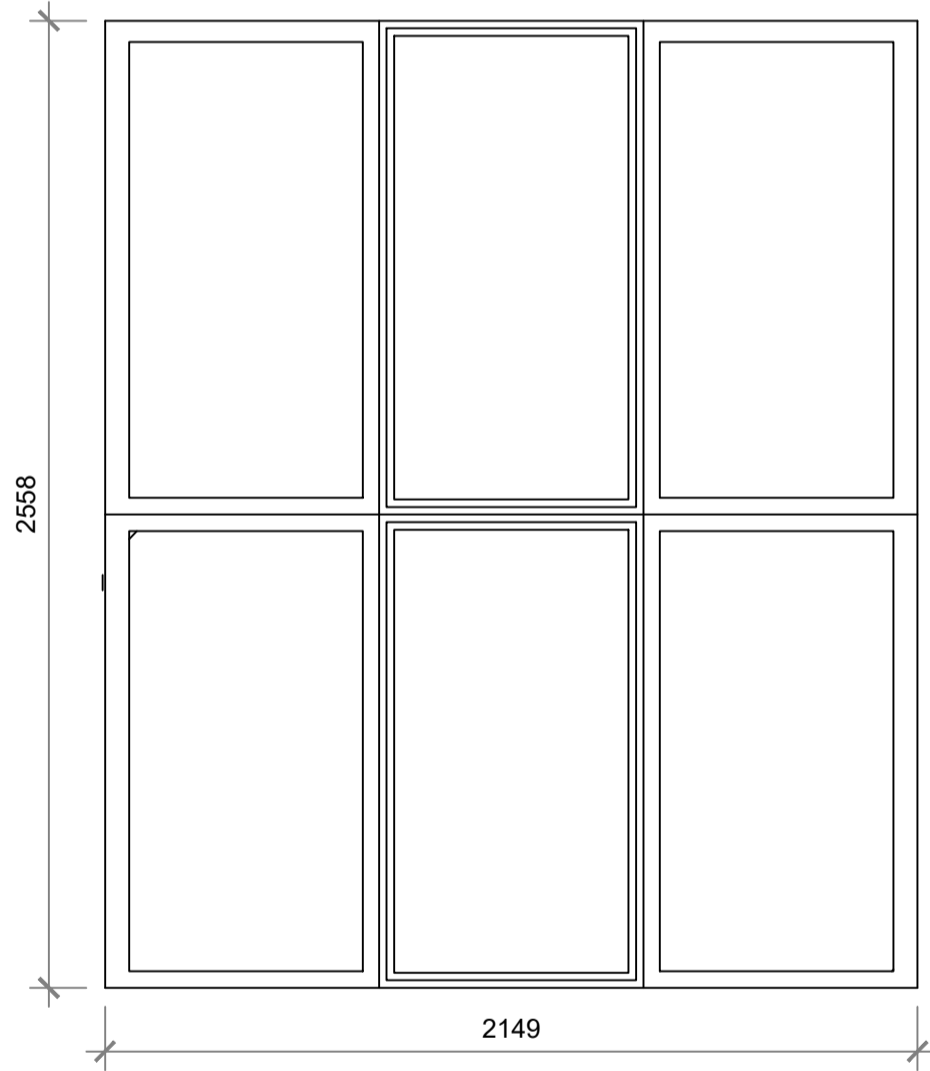
Type H



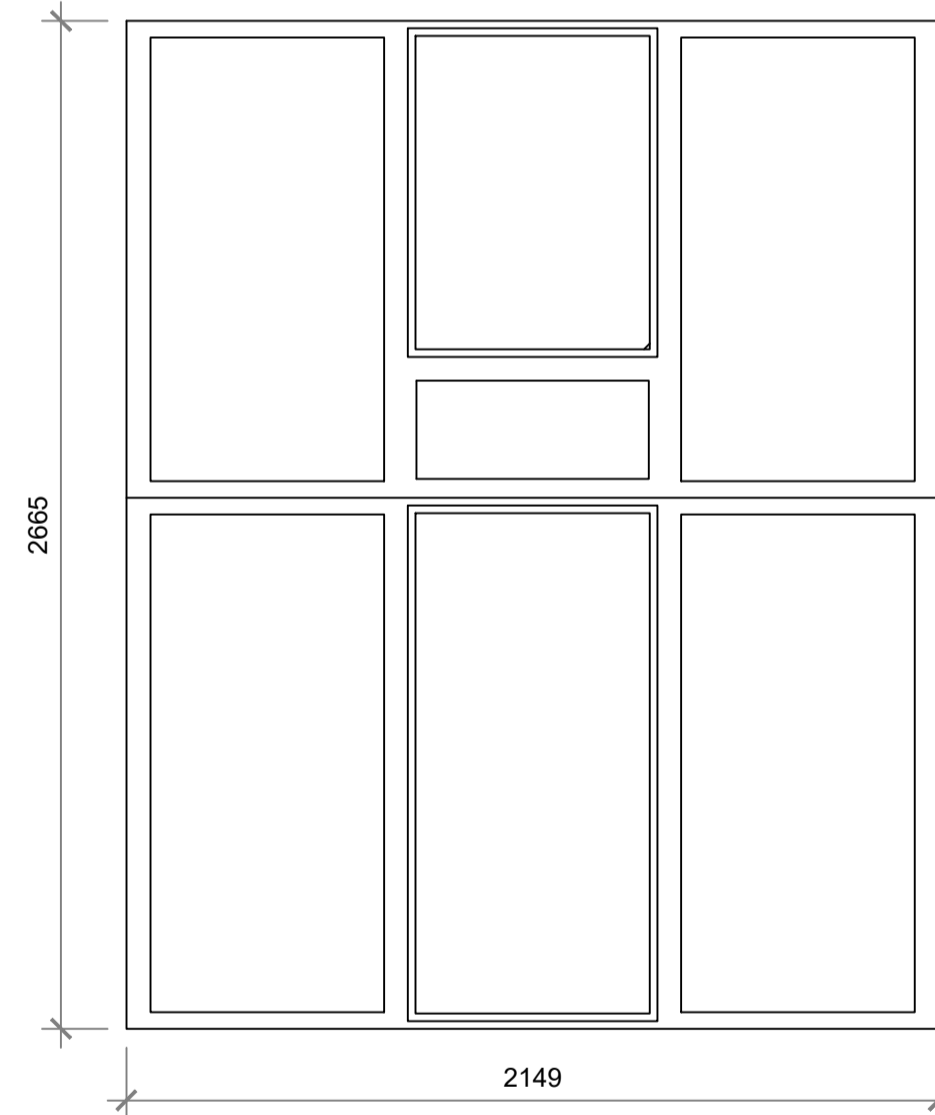
Type I



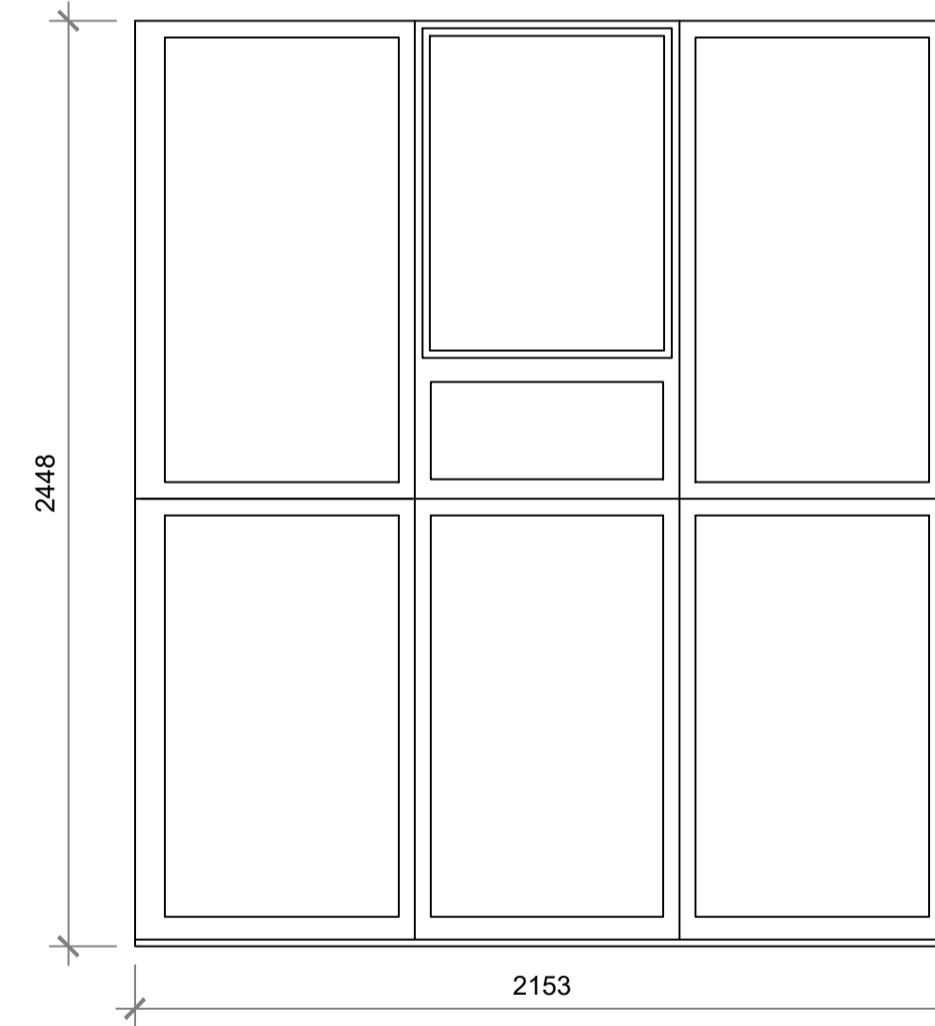
Type J



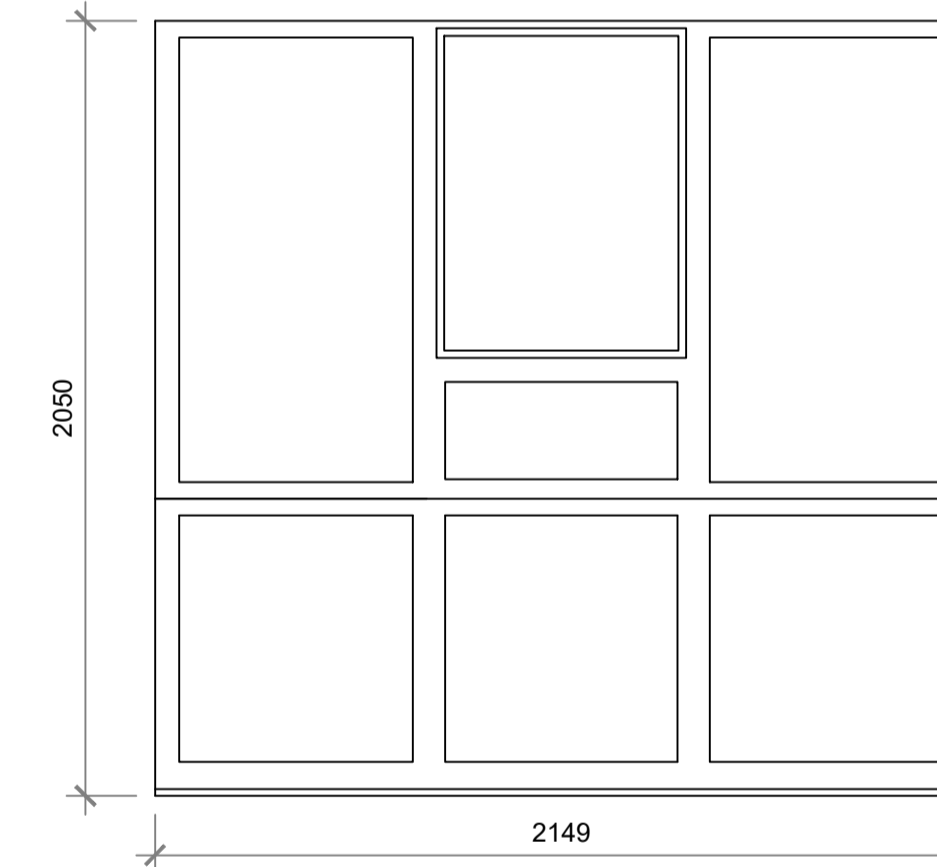
Type K



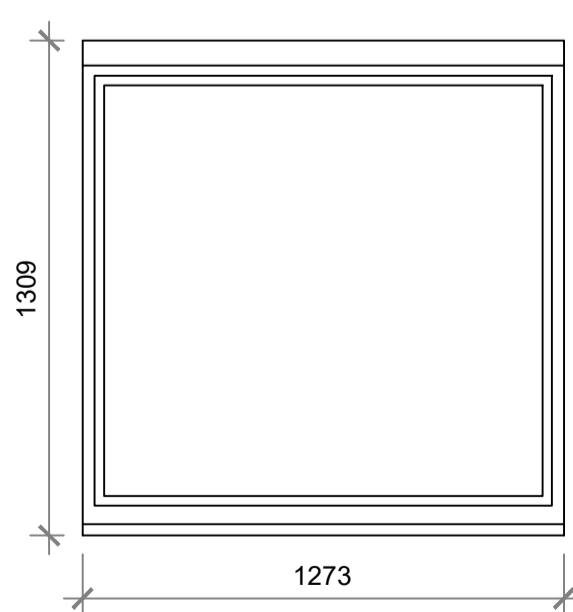
Type L



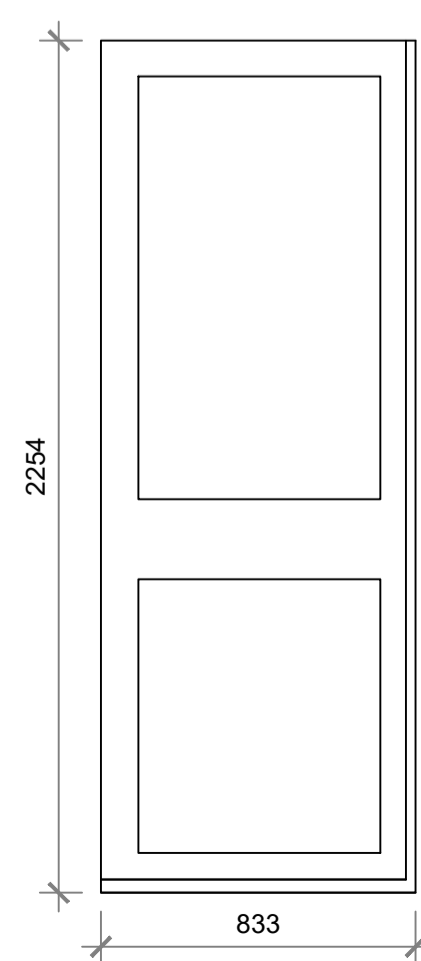
Type M



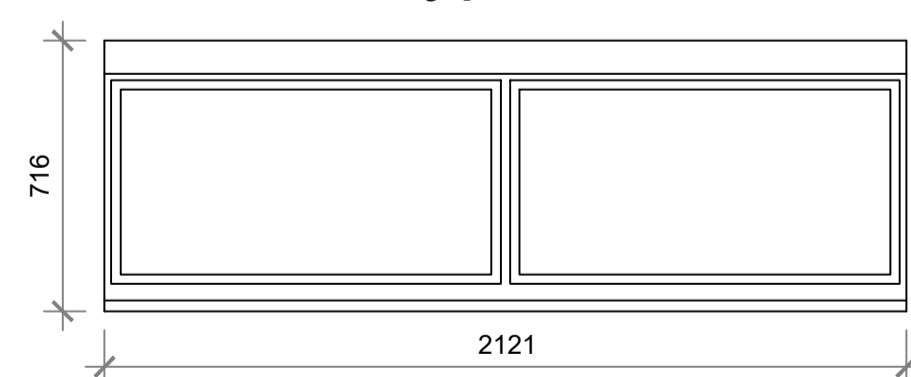
Type N



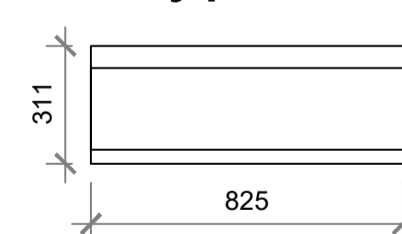
Type O



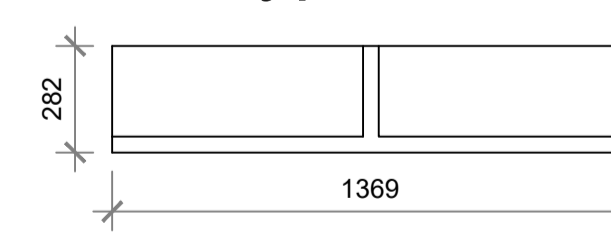
Type P



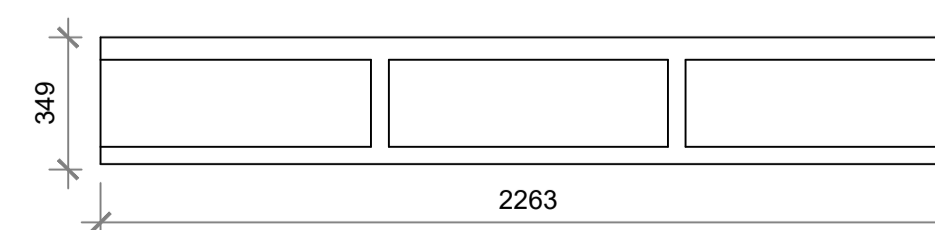
Type Q



Type R



Type S



Typical window section



P01	20/10/20	XX	XX
Rev	Description	Date	Chk
Project No:	Scale @ A1:	Date	Drawn By:
812090	1:20		TH

Ingleton Wood Property and Construction Consultants
 Issuing office: London
 T: 020 7460 4400
 www.ingletonwood.co.uk

Vision, form and function
 Project:
Lowlands Externals
 Eton Avenue
 London
 NW3
 Client:
Lowlands Residents Limited

Title:
Window Schedule

Drawing Number: 812090-IWD-XX-XX-DR-B-2005		
Status: S2	Purpose of Issue: Information	Revision: P01