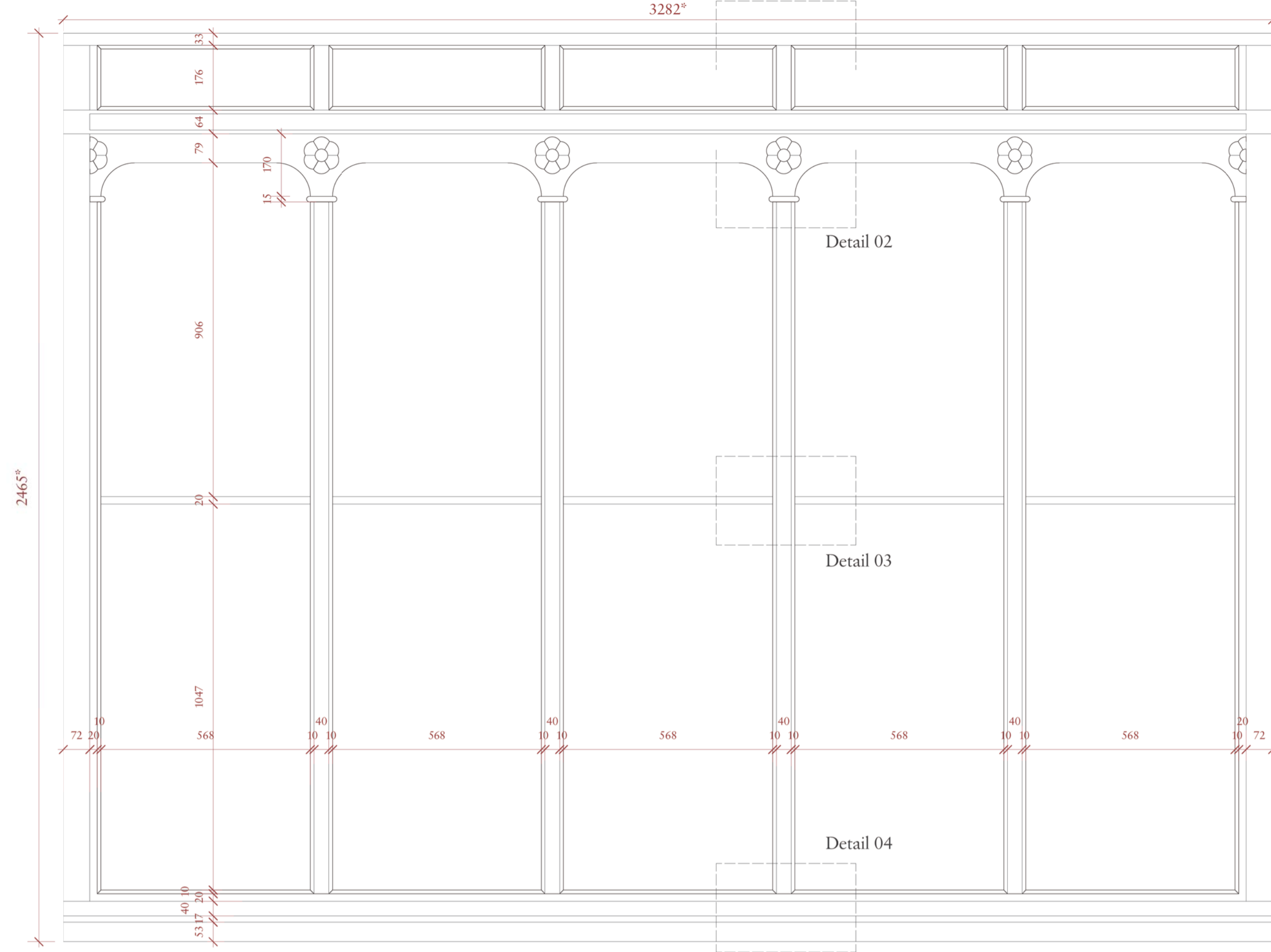


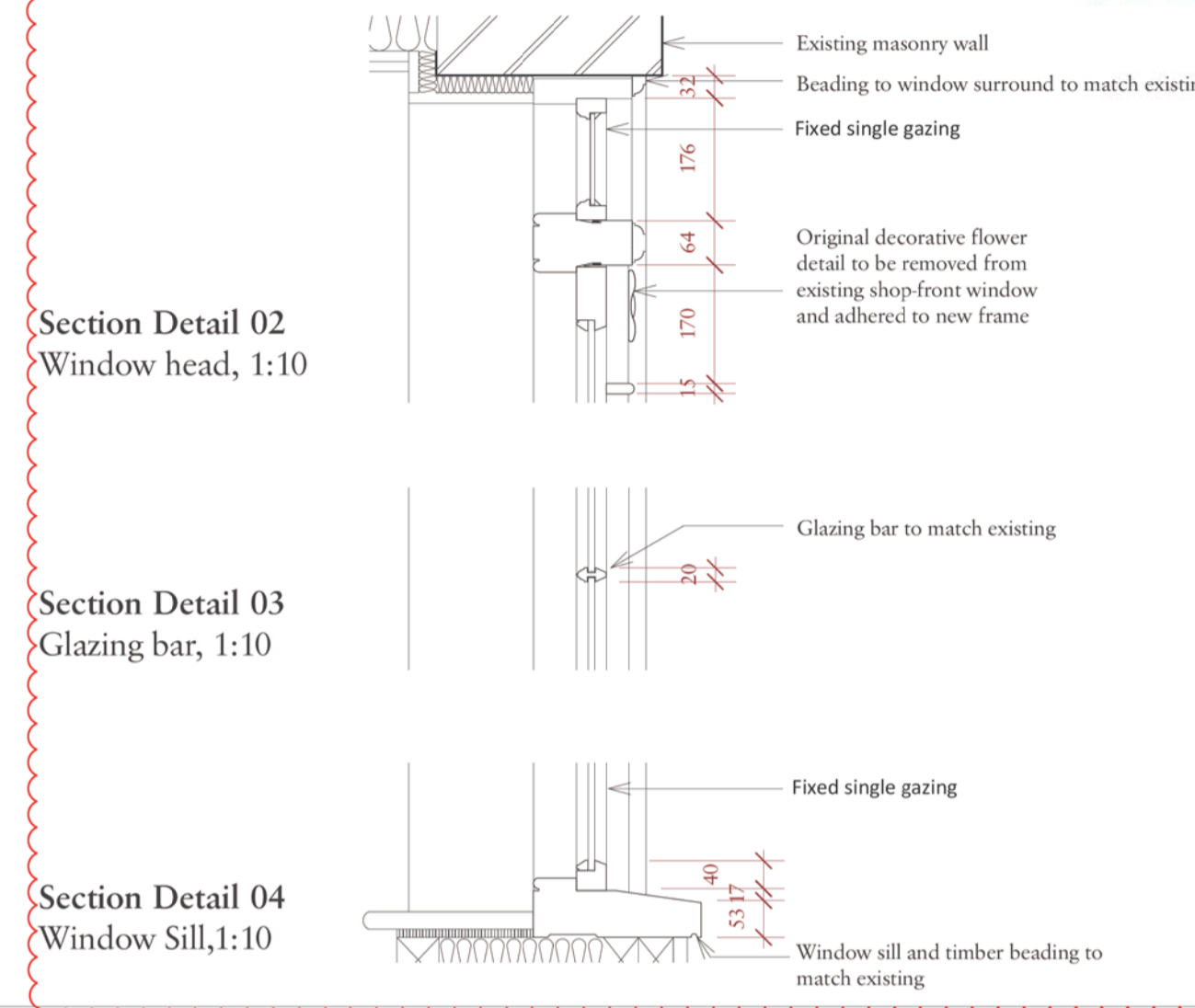
Existing Window WG.02



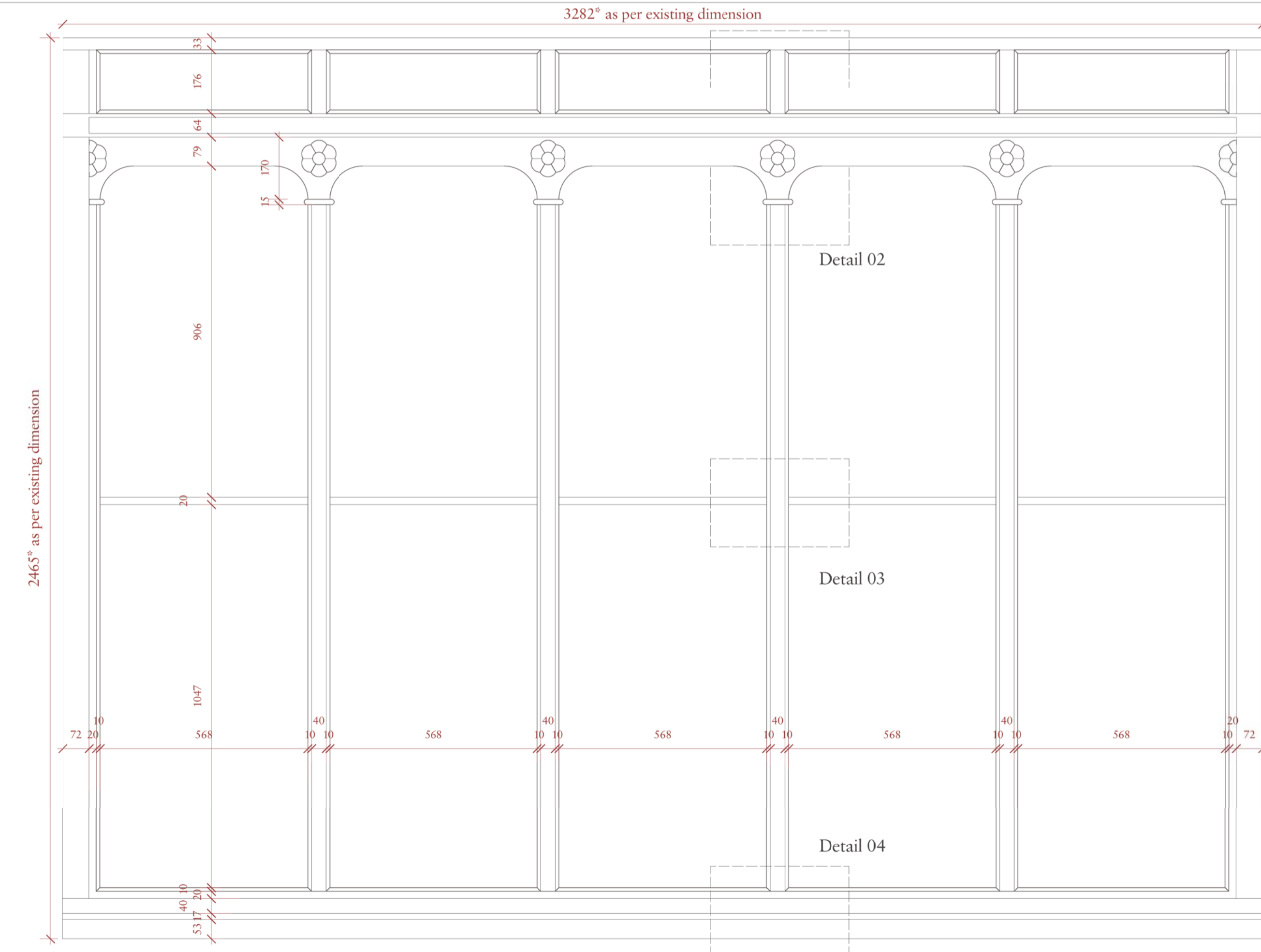
Elevation Drawing
1:10



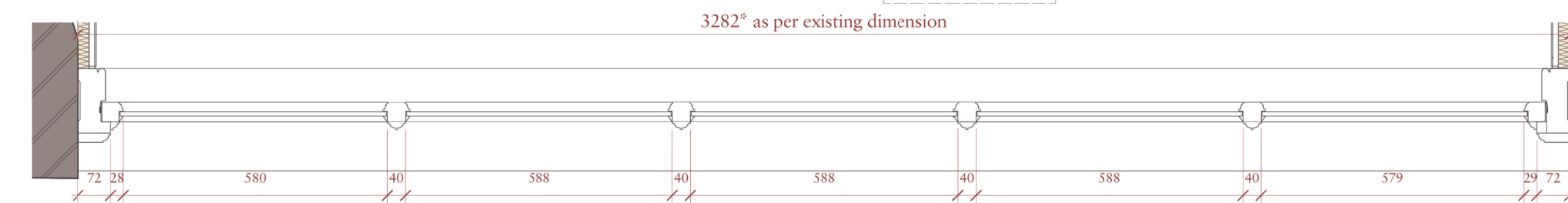
Detail 01
Original decorative flower detail to be carefully removed from existing shop-front window and fixed to new window frame



Proposed Window WG.02

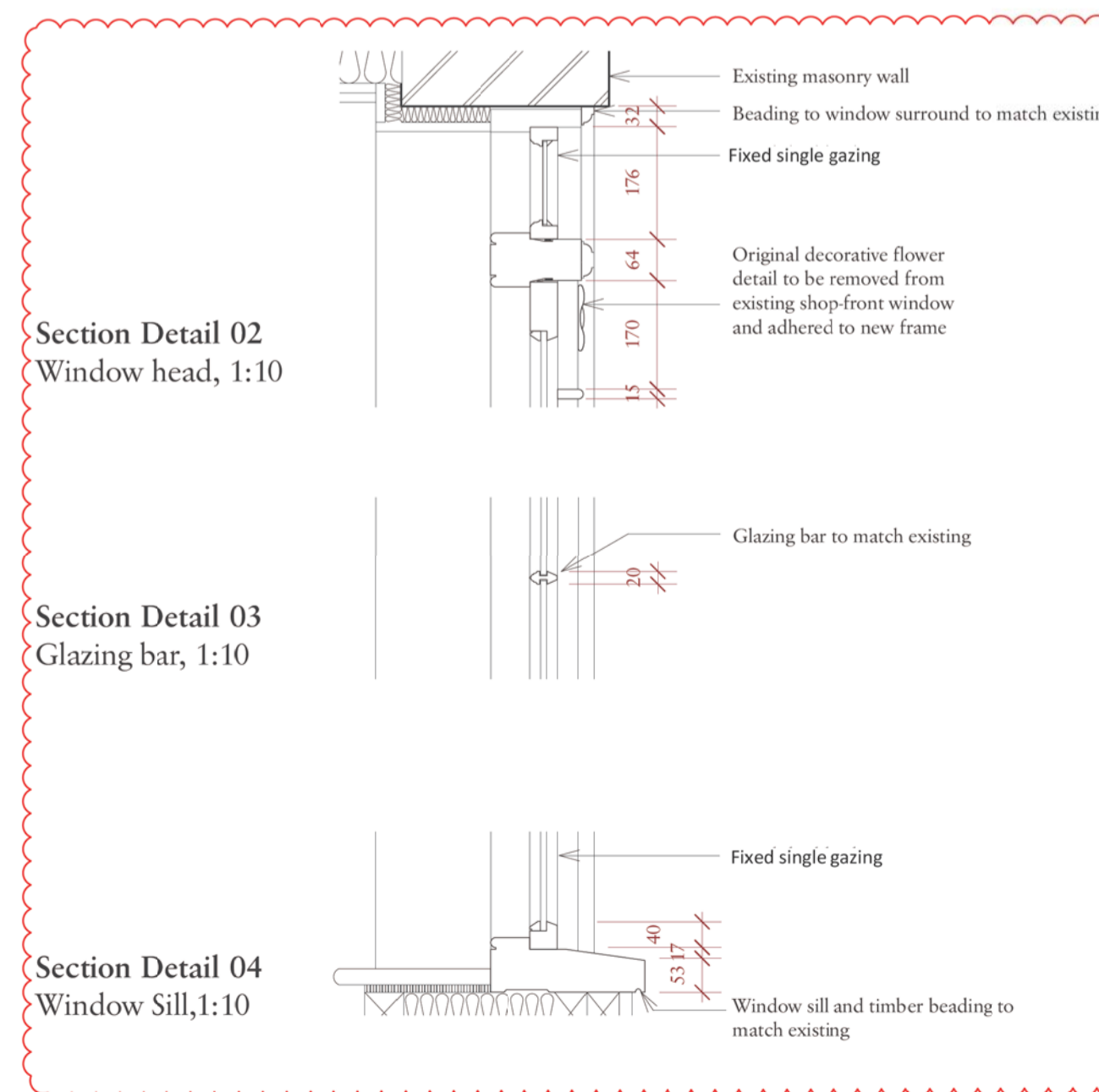


Elevation Drawing
1:10



Plan Drawing
1:10

Window Type	WG.02
Window Description	Single Glazed, timber windows with burglar proof security
Structural Opening	See drawing
Leaf Size	N/A
Finish	PPC Timber
Ironmongery Set	N/A
Glass Specification	Single glazing - toughened glass



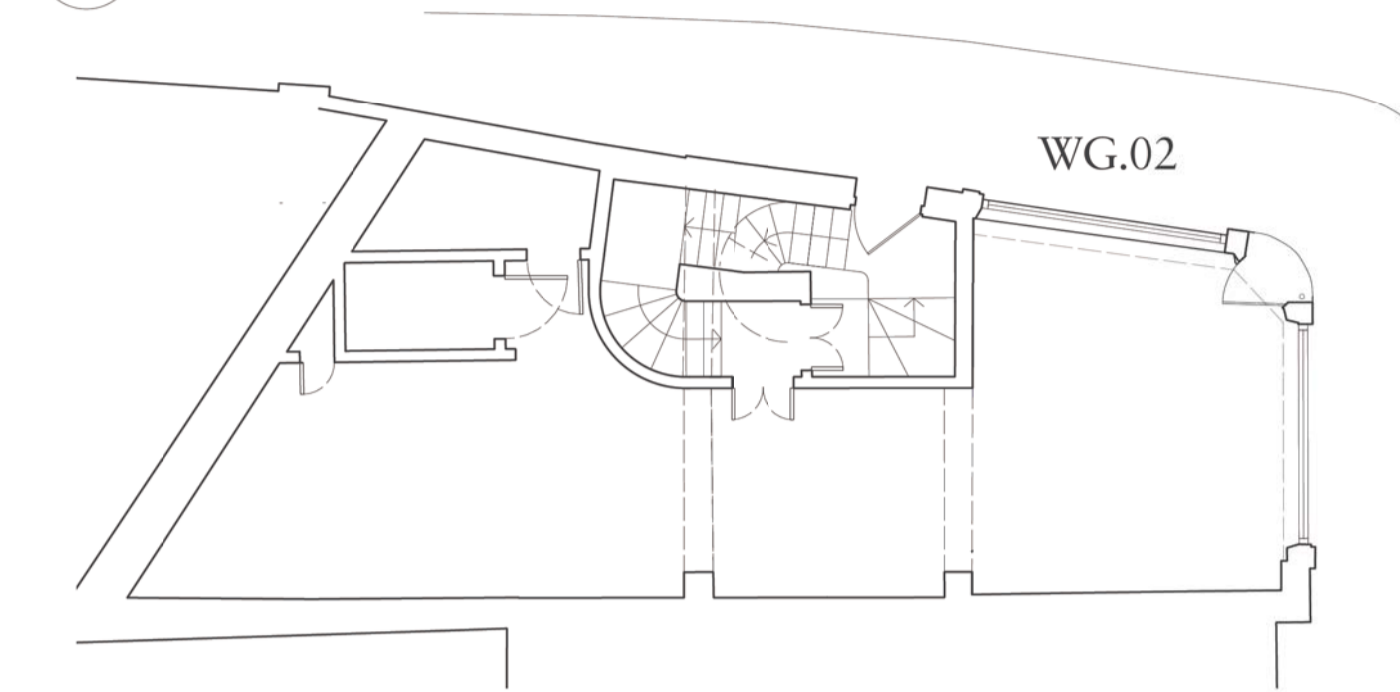
Important note

All dimensions in millimetres. Where dimensions are not given, drawings must not be scaled and the matter referred back to Charlton Brown Architects.

All dimensions and conditions are to be checked on site by the contractor prior to preparing drawings or commencing any work. The contractor is responsible for checking that there is no conflict between site dimensions and drawn dimensions.

In the event of any detail or dimensional conflict between Charlton Brown Architects drawings, the matter must be referred back to Charlton Brown Architects for clarification

8 KEY - Ground Floor Plan
Scale: 1:100



A	12/05/2023	Refer to revision cloud	SJM
Rev	Date	Details	By

Charlton Brown
Architecture & Interiors

The Belvedere, 2 Back Lane, Hampstead, London, NW3 1HL

Telephone +44(0)20 7794 1234
Email office@charltonbrown.com
Website www.charltonbrown.com

Client
Zina Drouche & Dylan McNeil

Project
49 Willow Road, NW3 1TS

Drawing Title
Window WG.02 - Details

Date	Drawn	Checked
19/12/2022	SC	SJM

Scale
1:10

Issue Status
PLANNING

Project Number	Drawing Number	Revision
18 2 2	P5-PL-31-010	A