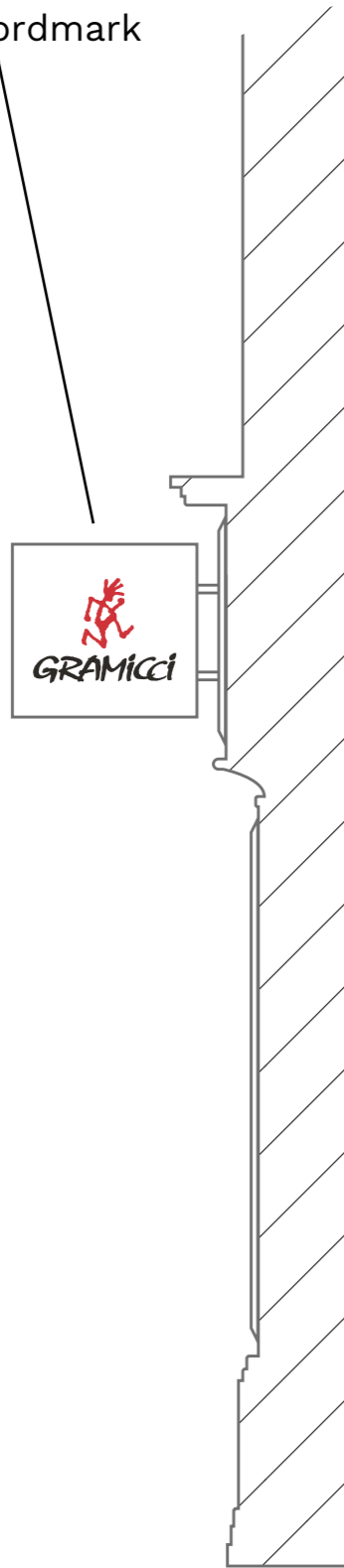




**GRAMICCI - EARLHAM ST  
ELEVATION DRAWINGS**

# Store Front Elevation

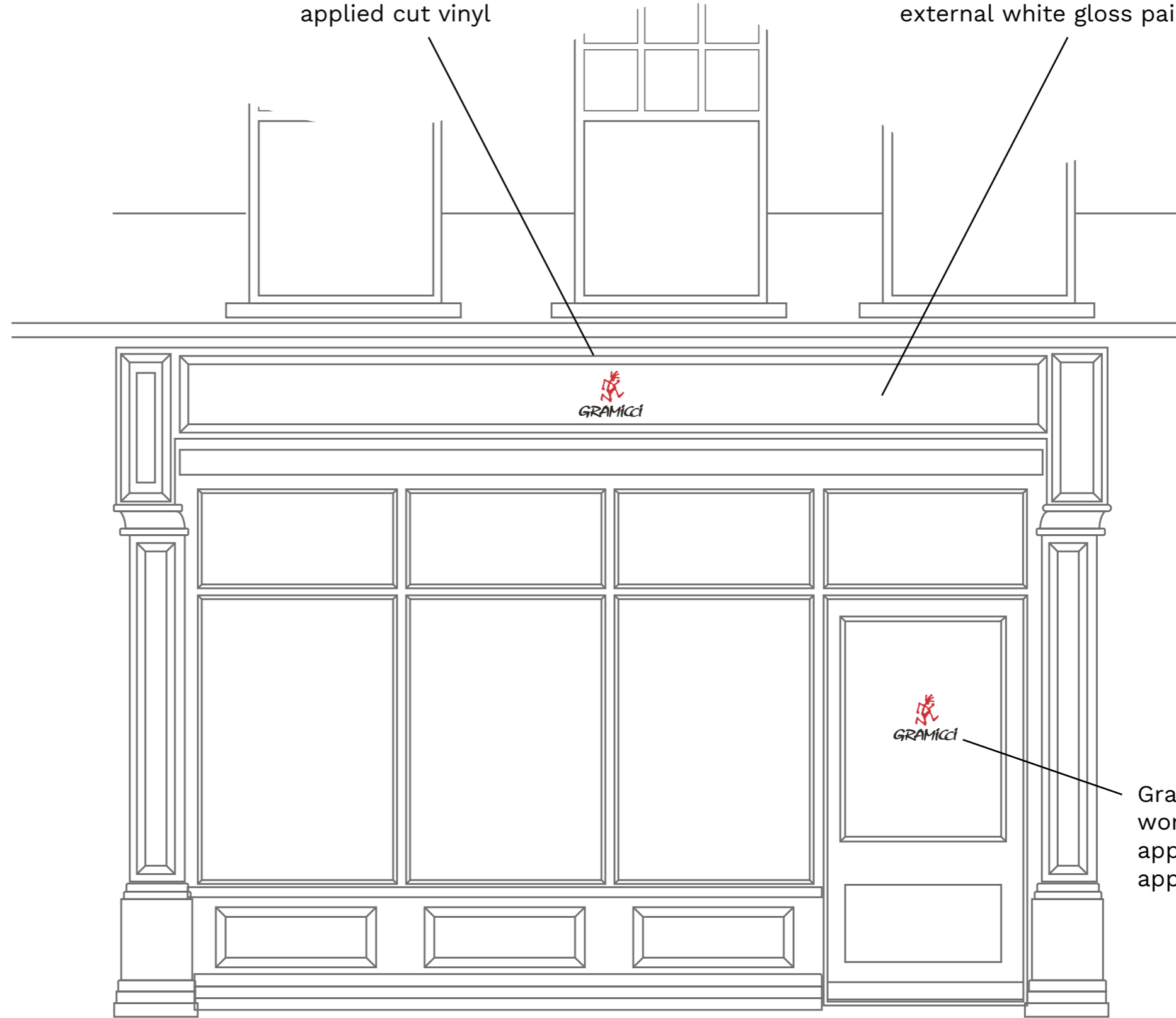
Double-sided metal blade sign with illuminated logo & wordmark



SCALE 1:10 @ A2

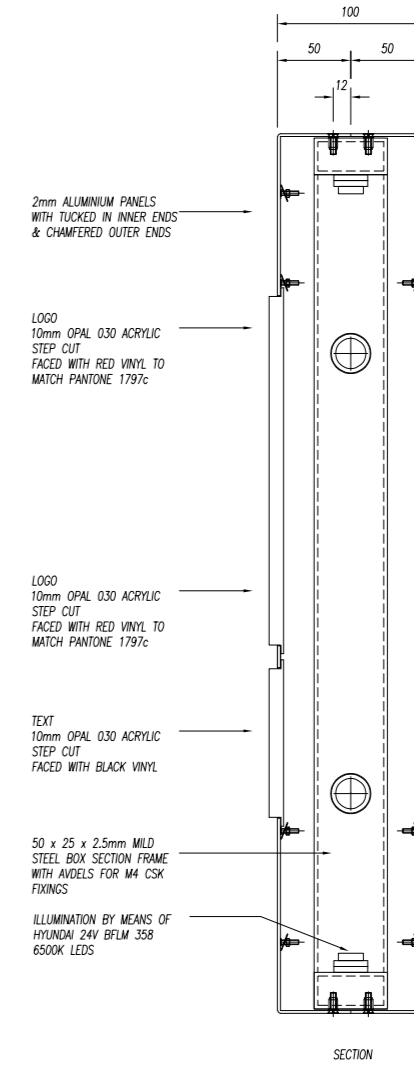
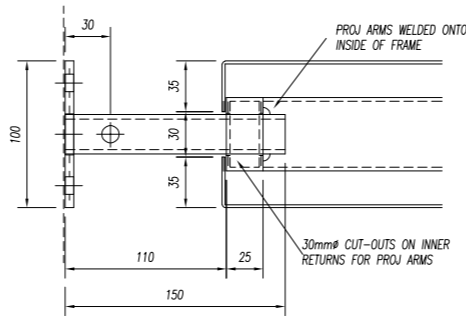
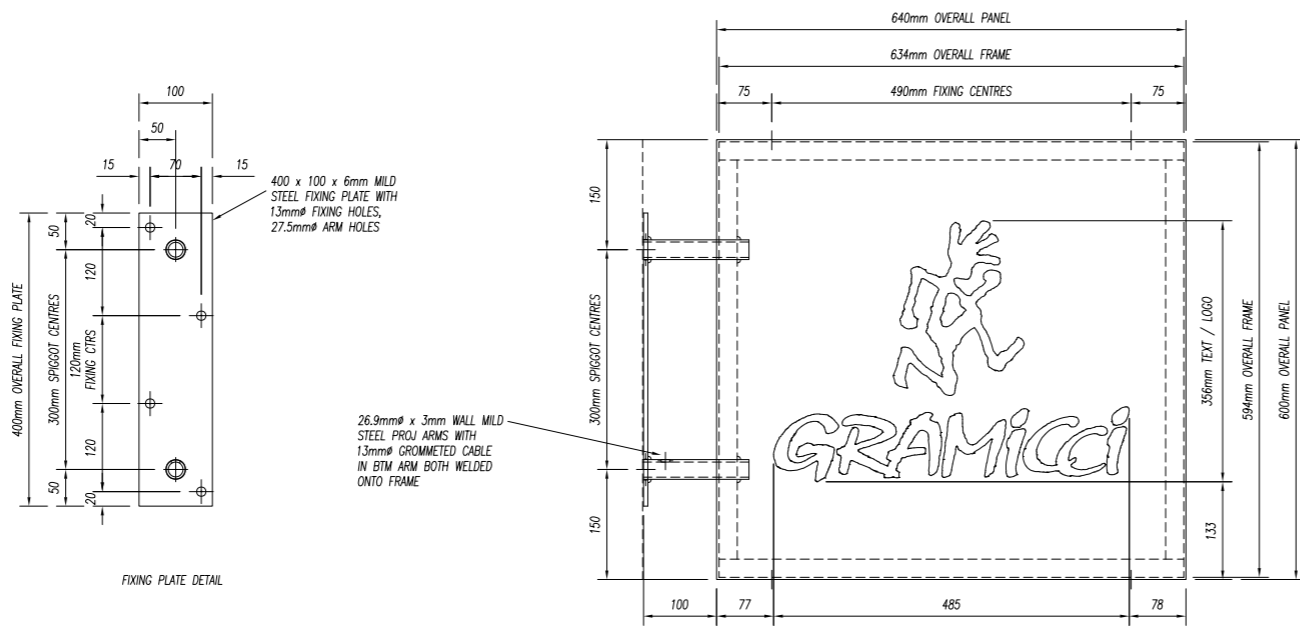
Gramicci logo & wordmark directly applied cut vinyl

All external wood work made good and painted with external white gloss paint

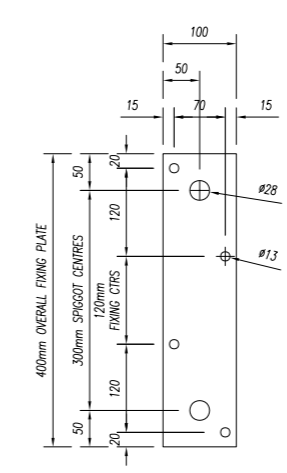
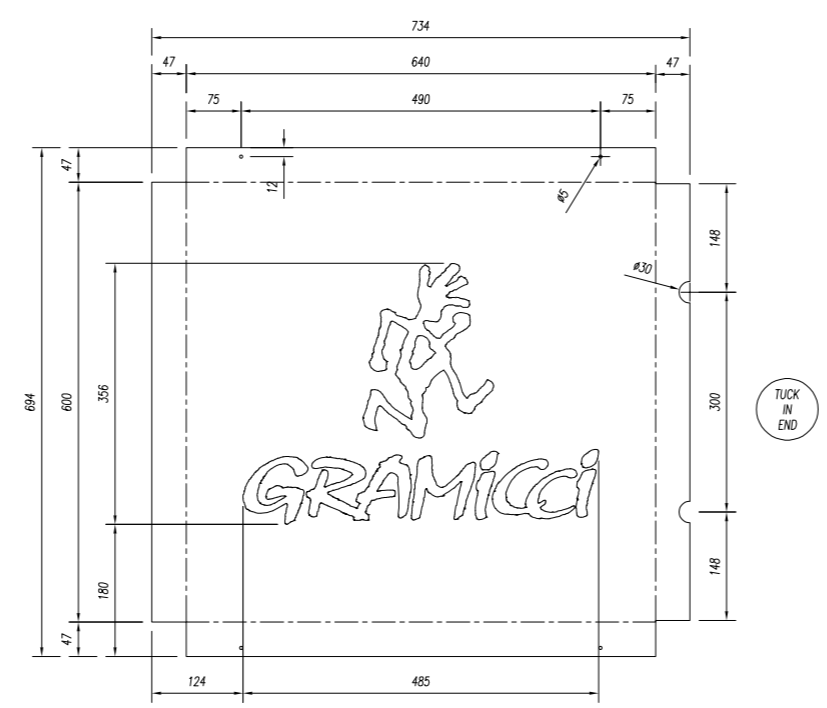
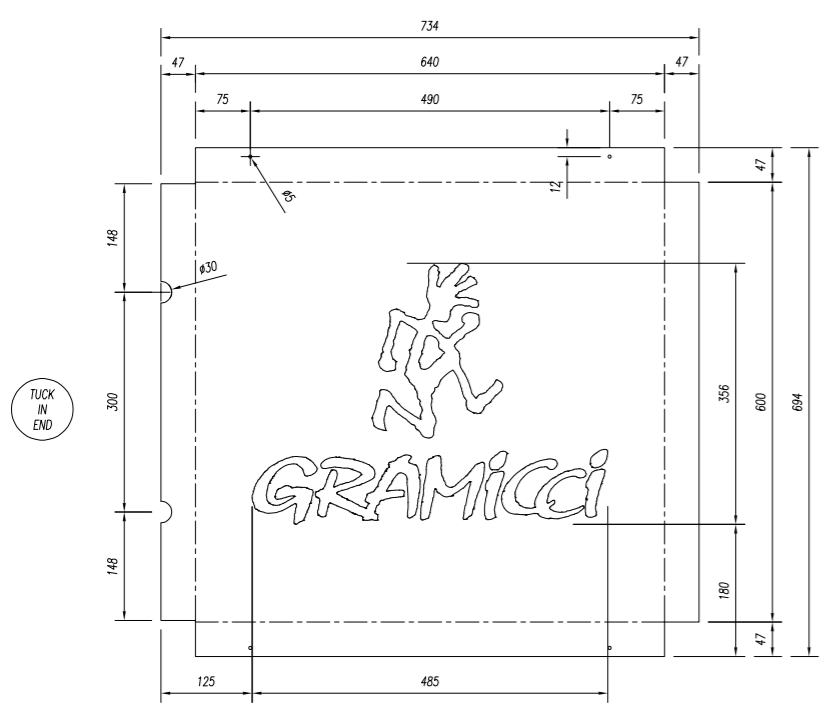


1:10 @ A2  
200mm 0 200mm 400mm 600mm 800mm 1000mm

Gramicci logo & wordmark directly applied cut vinyl applied to glass



ALL METAL WORK FINISHED WHITE INSIDE & OUT



SIGN INSTALLED ONTO COLUMN AT THE LEFT HAND END OF THE SHOPFRONT

1 OFF INTERNALLY ILLUMINATED DOUBLE SIDED PROJECTING SIGN REQUIRED MANUFACTURE REQUIRED



11 M1 LASER STEEL VINYL DIGI DIGI SETUP PX ROUTER PAINT FIX ASSY



Job Title: ELLIS BRIGHAM LTD / GRAMICCI  
3 EARLHAM STREET, LONDON, GREATER LONDON, WC2H 9LL

Drawing No. 143954	Scale 1:5 @ A1	Date 03-06-2023	Drawn By TONY COX
Revisions			