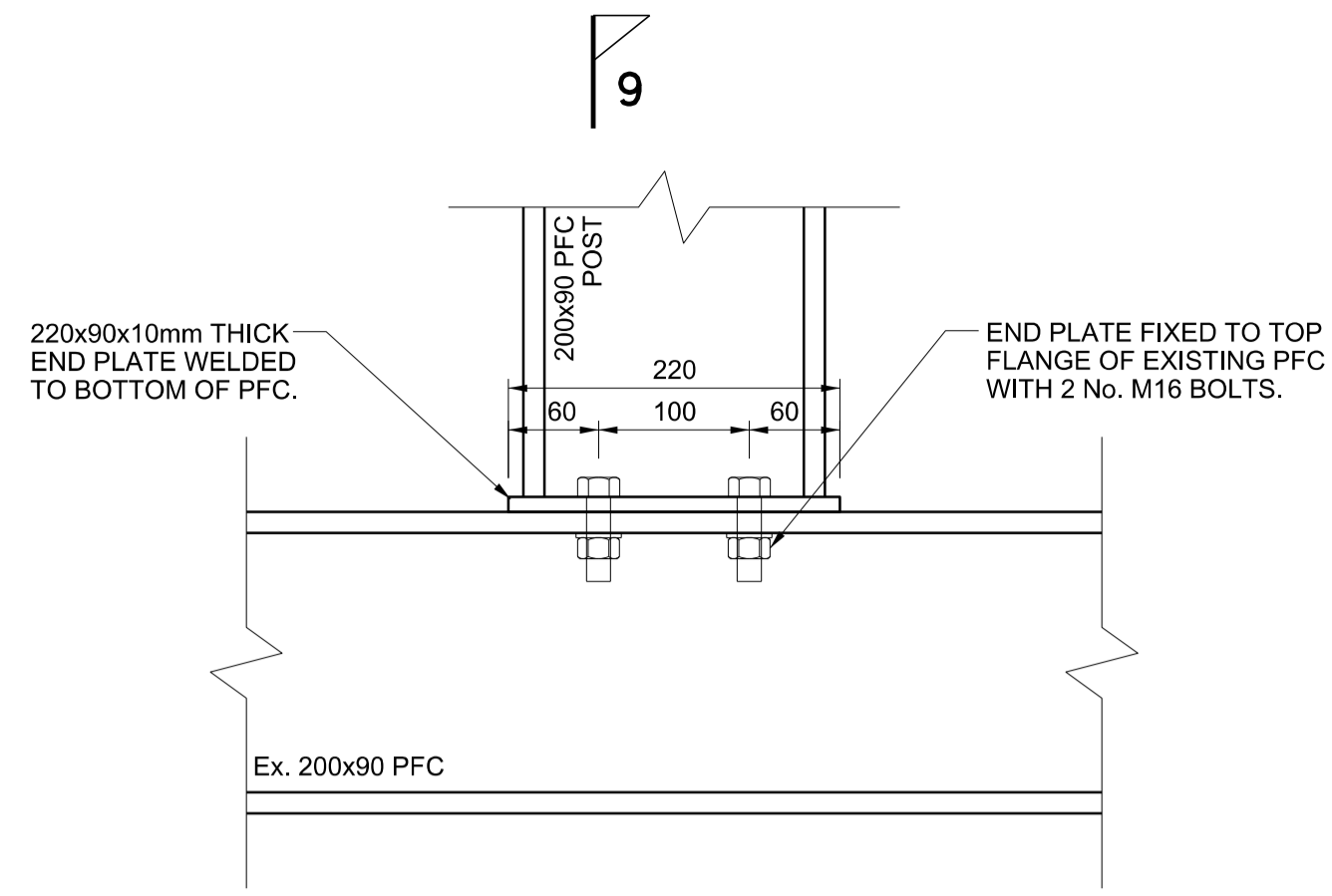
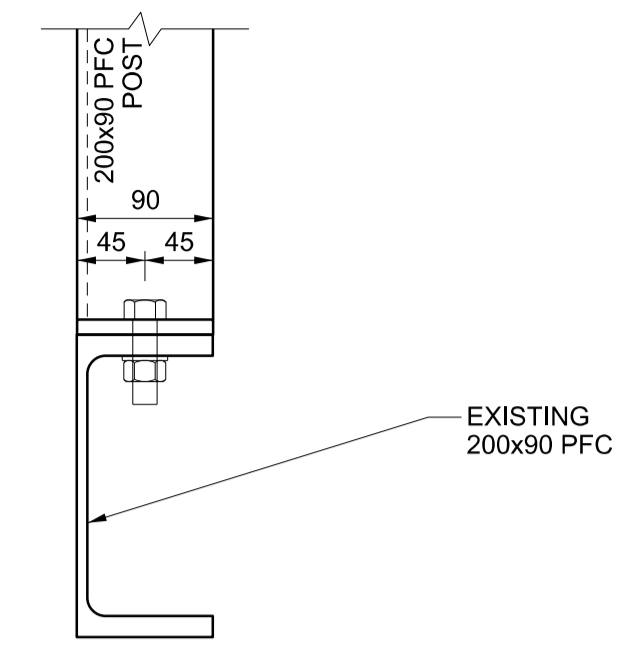


DRAWING NOTES

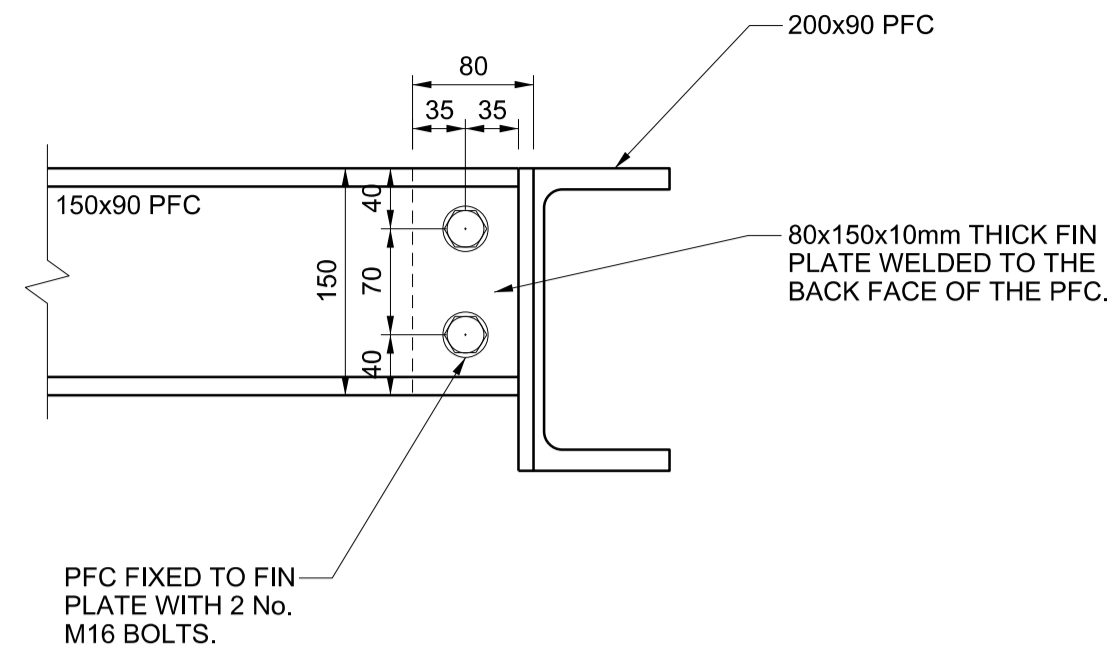
- FOR GENERAL NOTES AND STEELWORK NOTES REFER TO DRAWING 22-2353-ST-004.
- FOR LOCATIONS OF CONNECTION DETAILS REFER TO DRAWING 22-2353-ST-004.



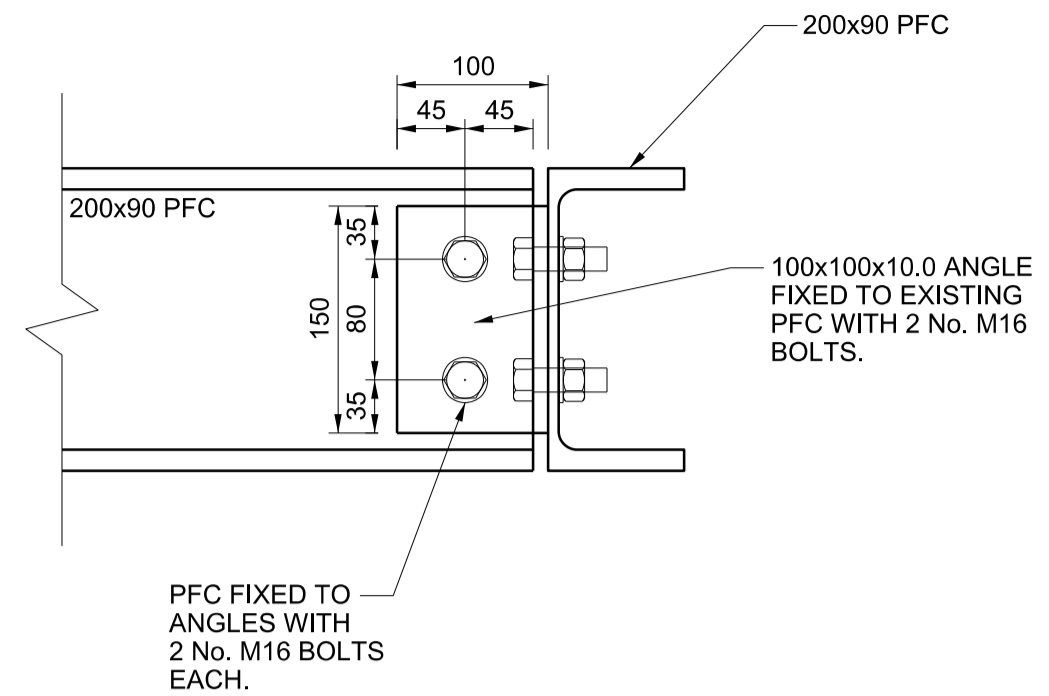
DETAIL 11
NEW 200x90 PFC POST
FIXED TO EXISTING 200x90 PFC
CONNECTION DETAIL



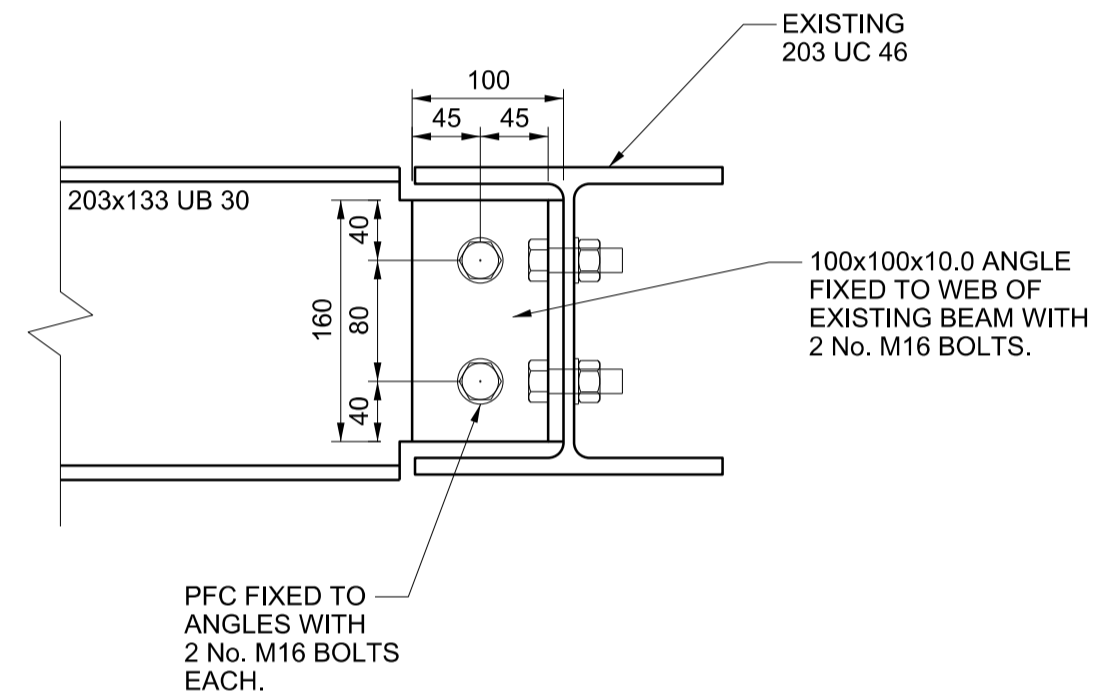
SECTION 9-9



DETAIL 12
150x90 PFC TO 200x90 PFC
CONNECTION DETAIL



DETAIL 13
200x90 PFC TO EXISTING 200x90 PFC
CONNECTION DETAIL



DETAIL 14
302x133 UB 30 TO EXISTING 203 UC 46
CONNECTION DETAIL

Rev:	Date:	Description:	Initials:
B	06/06/2023	DETAILS 12 TO 14 ADDED.	SG
A	31/03/2023	CONSTRUCTION ISSUE.	SG

Wareham & Associates
Tudor House, 1-3 The Avenue, Lightwater, Surrey, GU18 5RF
Telephone: 01276 451968
Web: www.warehamandassociates.co.uk

Client: **ROYAL FREE LONDON NHS FOUNDATION TRUST**

Project: **ITU CHILLERS UPGRADE**

Drawing Title: **SOUTH WING PLATFORM CONNECTION DETAILS SHEET 2**

Scales: 1:5 @ A1 UOS

Originated:	SG	Date:	MAR 2023
Checked:	---	Date:	MAR 2023

Drawing Number: **22-2353-ST-016**

Revisions:	B	Status:	CONSTRUCTION
------------	---	---------	--------------