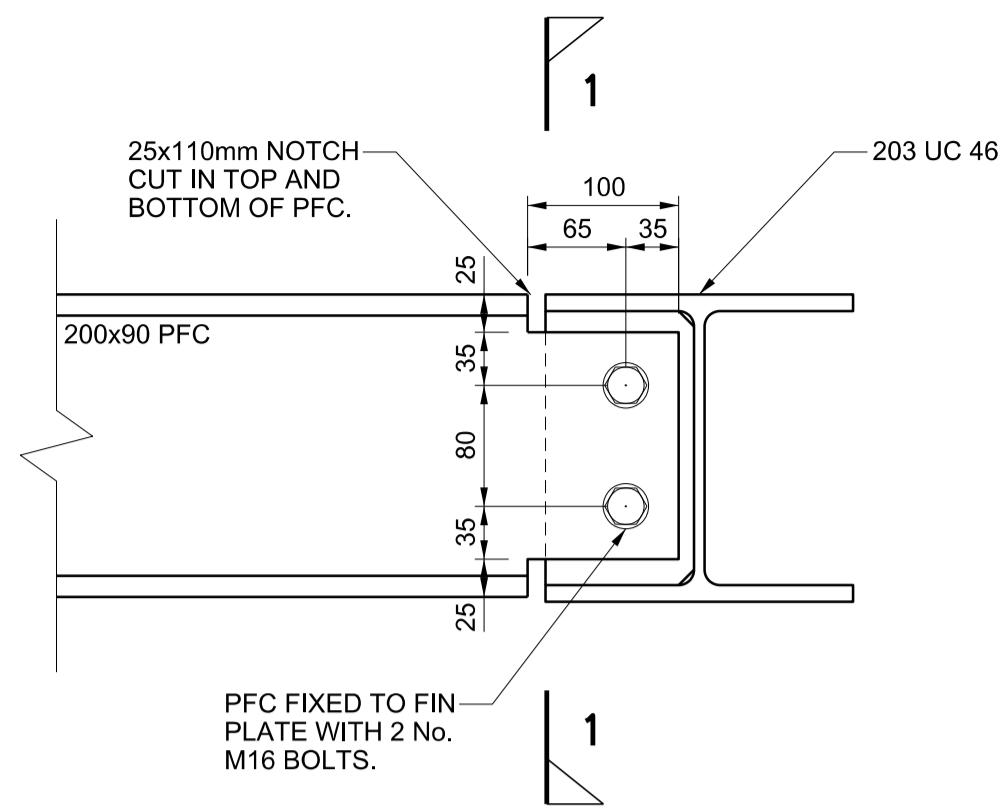
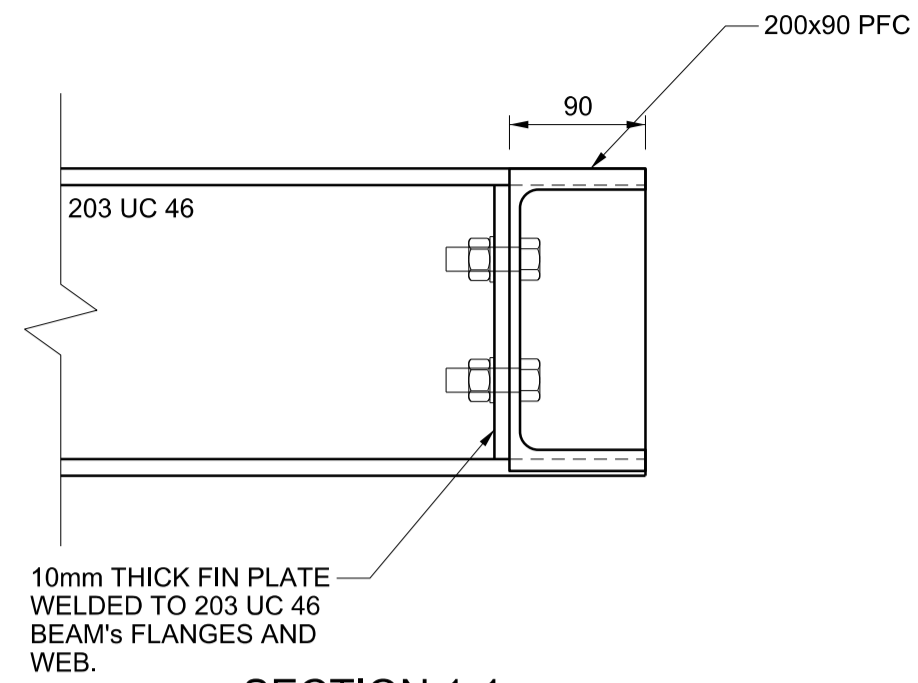


**DRAWING NOTES**

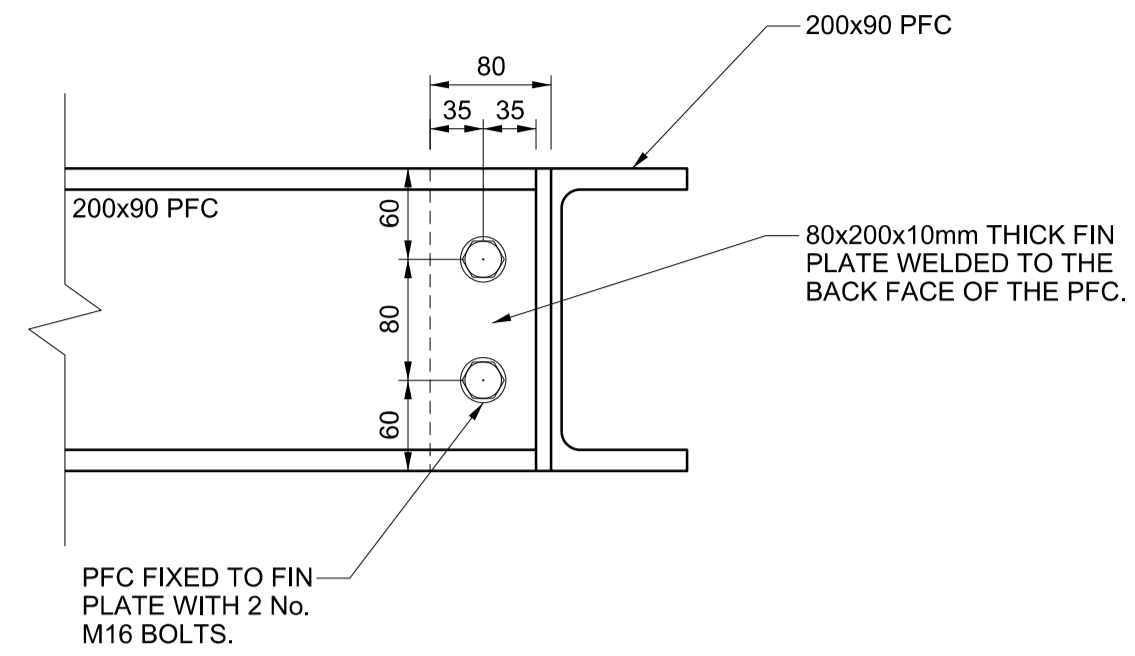
- FOR GENERAL NOTES AND STEELWORK NOTES REFER TO DRAWING 22-2353-ST-004.
- FOR LOCATIONS OF CONNECTION DETAILS REFER TO DRAWING 22-2353-ST-004.



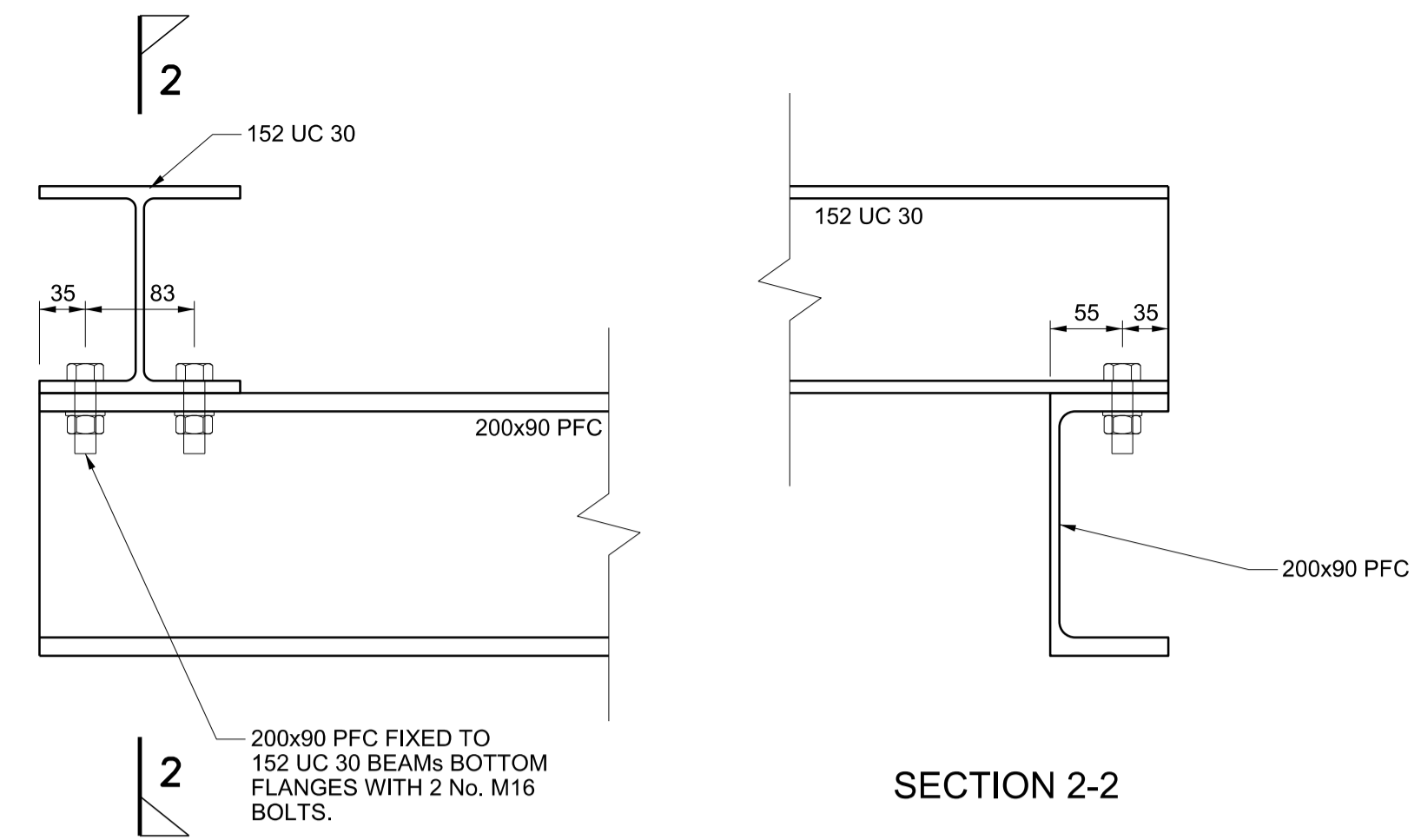
**DETAIL 1**  
200x90 PFC TO 203 UC 46  
CONNECTION DETAIL



**SECTION 1-1**

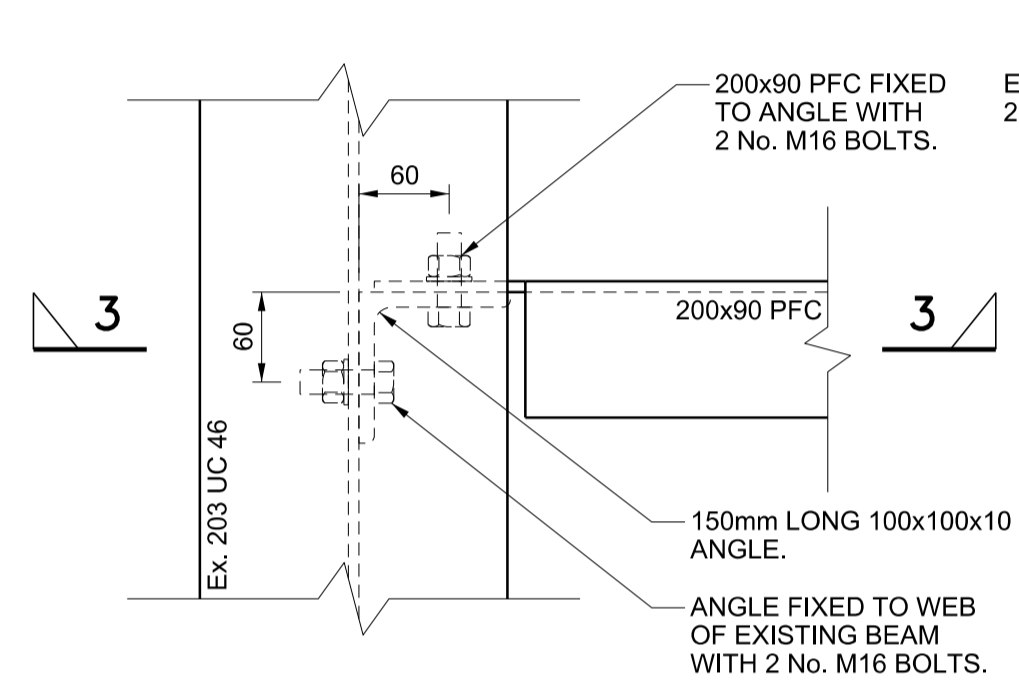


**DETAIL 2**  
200x90 PFC TO 200x90 PFC  
CONNECTION DETAIL



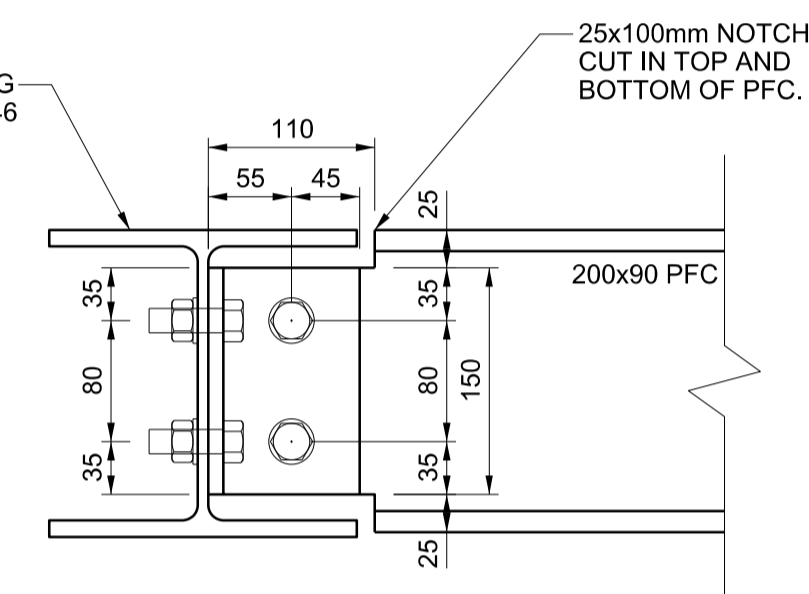
**DETAIL 3**  
200x90 PFC TO UNDERSIDE  
OF 152 UC 30 BEAM  
CONNECTION DETAIL

**SECTION 2-2**

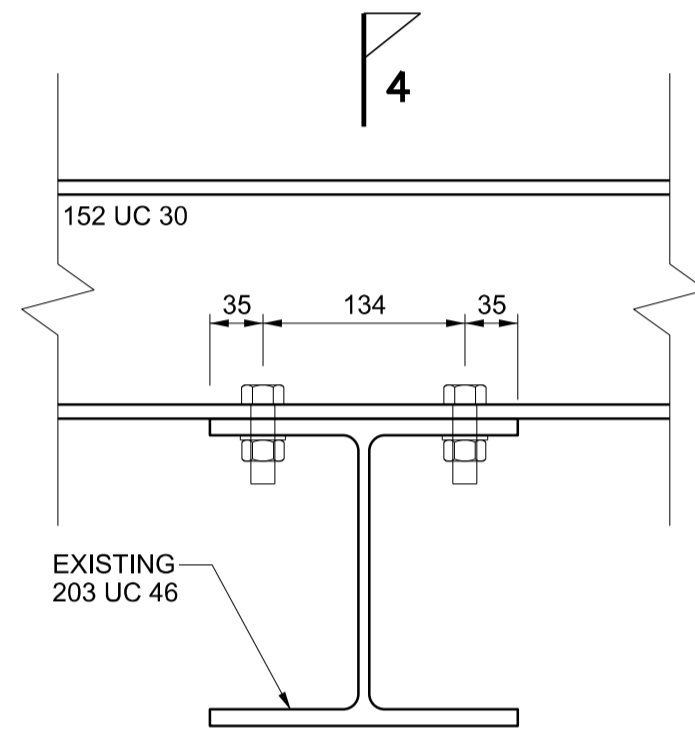


**PLAN VIEW**

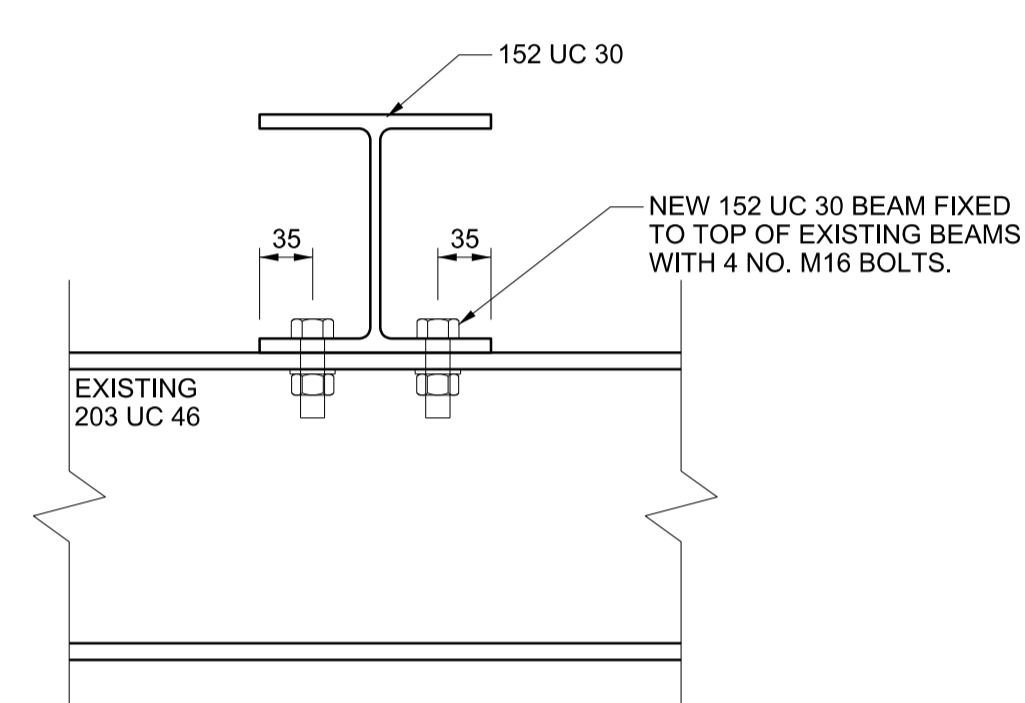
**DETAIL 4**  
200x90 PFC TO EXISTING  
203 UC 46  
CONNECTION DETAIL



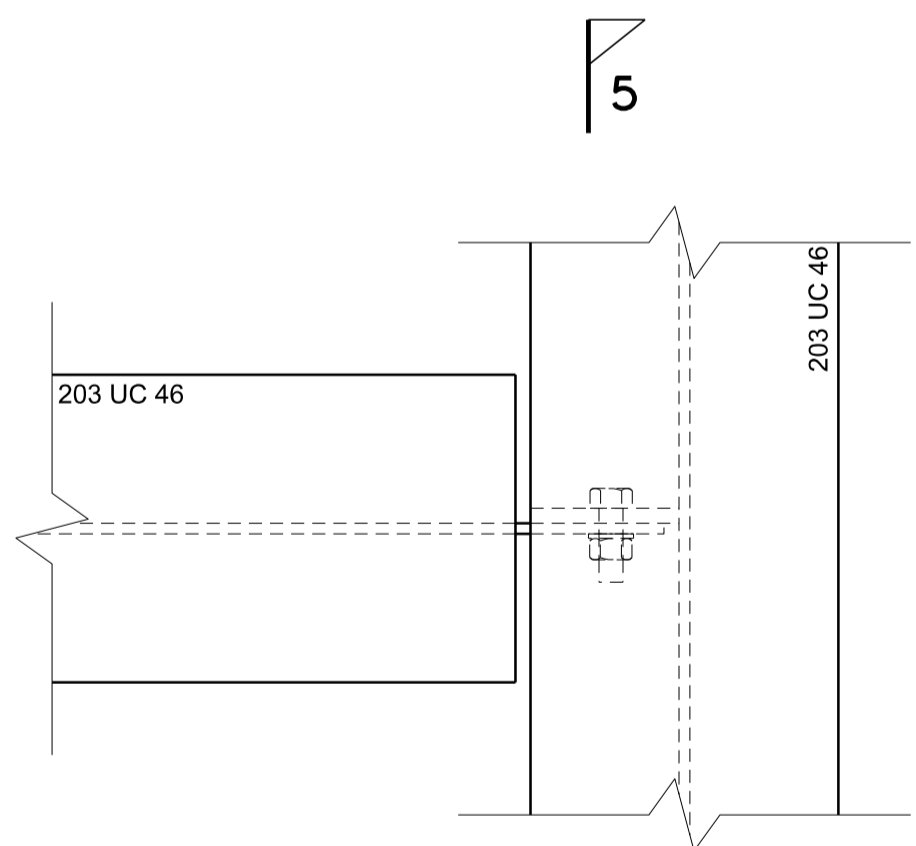
**SECTION 3-3**



**DETAIL 5**  
152 UC 30 TO EXISTING  
BEAM  
CONNECTION DETAIL

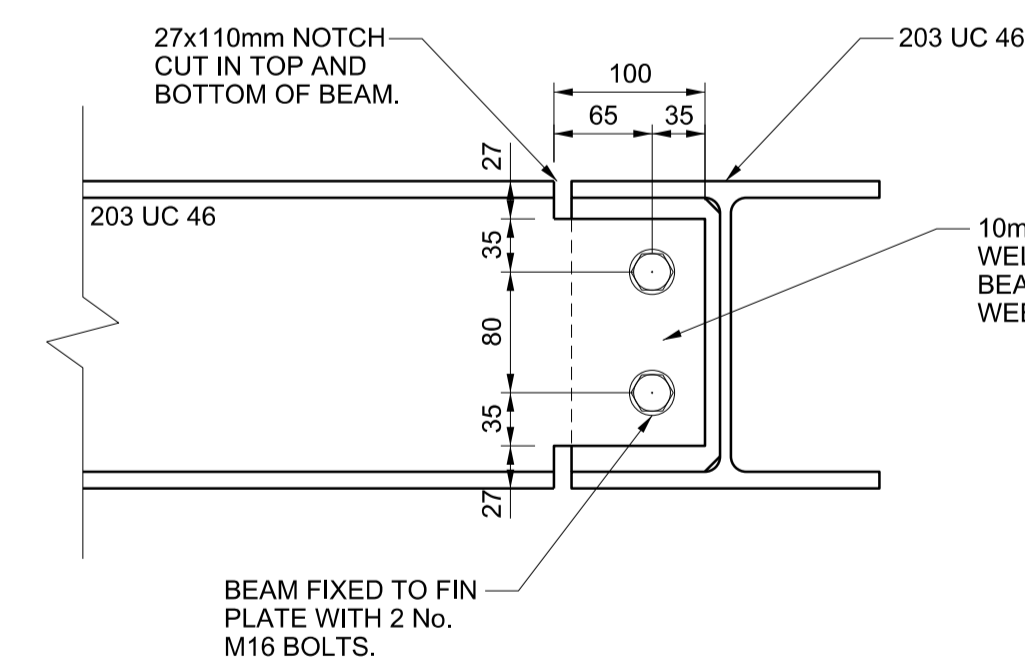


**SECTION 4-4**

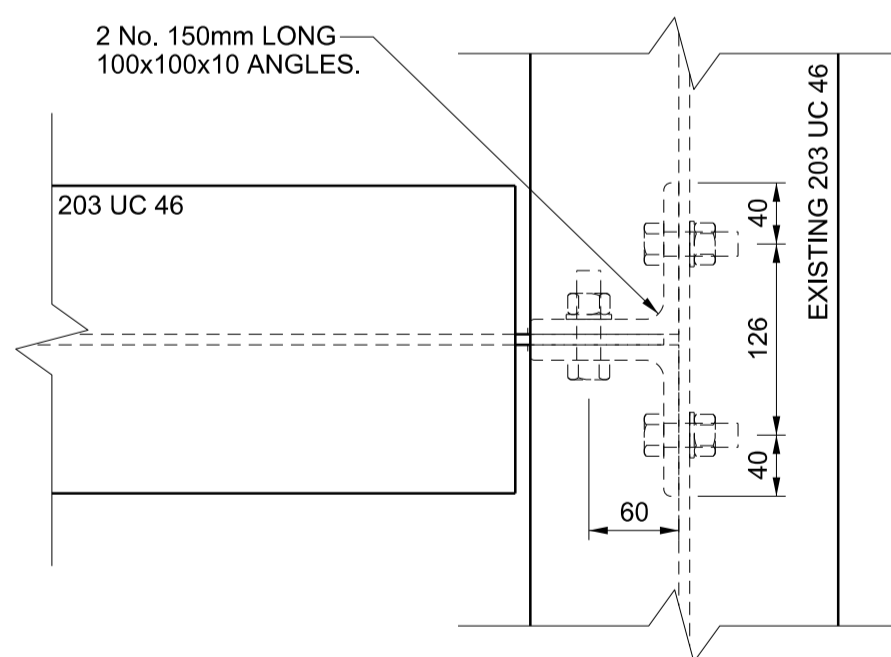


**PLAN VIEW**

**DETAIL 6**  
203 UC 46 TO 203 UC 46  
CONNECTION DETAIL

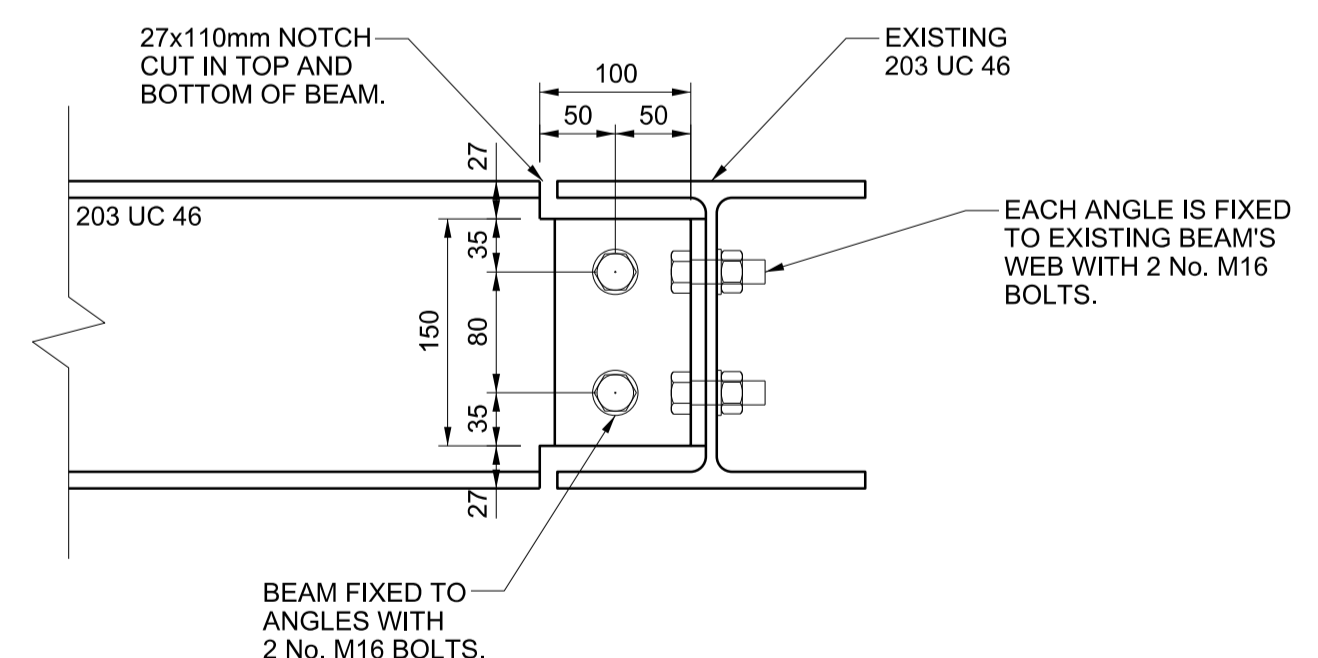


**SECTION 5-5**



**PLAN VIEW**

**DETAIL 7**  
203 UC 46 TO EXISTING 203 UC 46  
CONNECTION DETAIL



**SECTION 6-6**

A	31/03/2023	CONSTRUCTION ISSUE	SG
Rev:	Date:	Description:	Initials:

**Wareham & Associates**  
Tudor House, 1-3 The Avenue, Lightwater, Surrey, GU18 5RF  
Telephone: 01276 451868  
Web: www.warehamandassociates.co.uk

Client: **ROYAL FREE LONDON NHS FOUNDATION TRUST**

Project: **ITU CHILLERS UPGRADE**

Drawing Title: **WEST WING PLATFORM CONNECTION DETAILS SHEET 1**

Scales: 1:5 @ A1 UOS

Originated:	SG	Date:	MAR 2023
Checked:	---	Date:	MAR 2023
Drawing Number: <b>22-2353-ST-020</b>			

Revisions: A Status: CONSTRUCTION