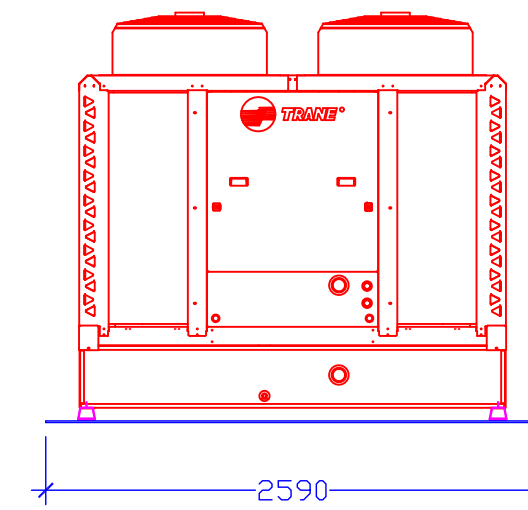
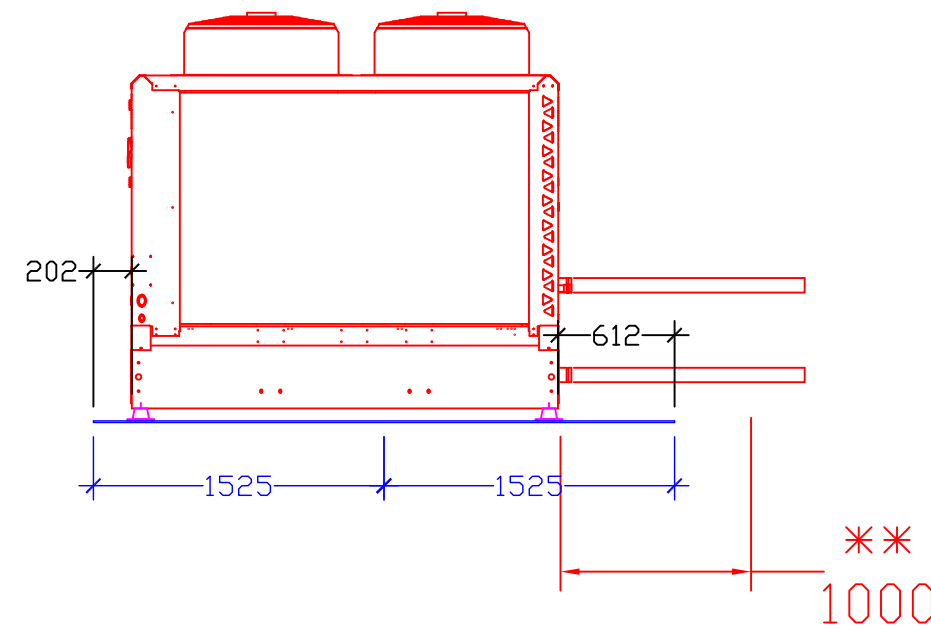
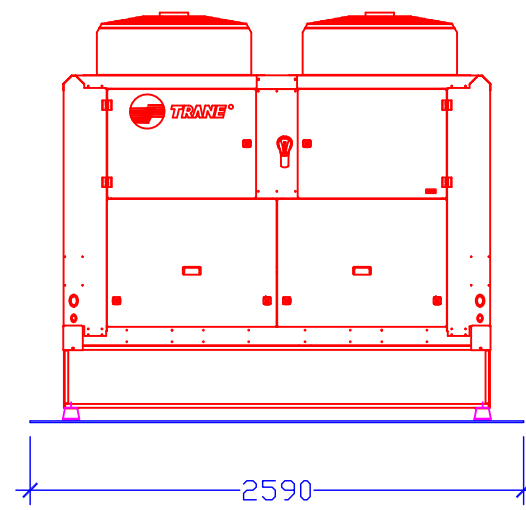
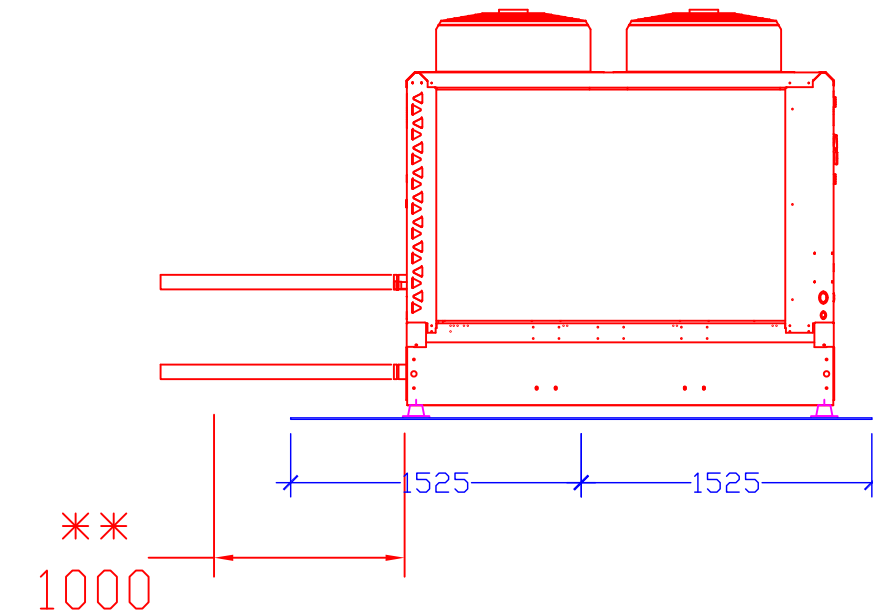
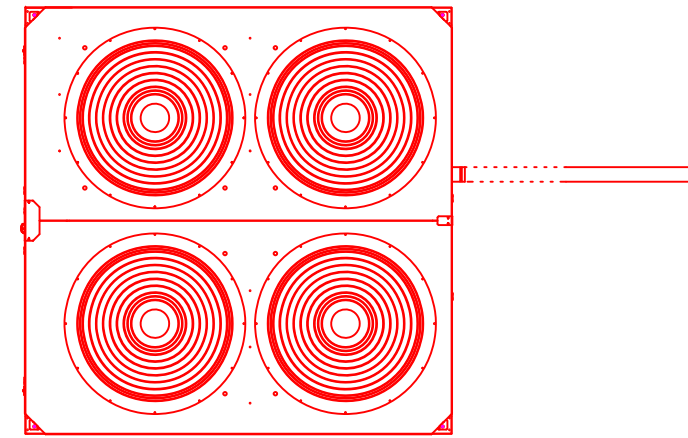


ACOUSTIC PACKAGE COMPRISES THE FOLLOWING PARTS:

- INLET AIR ATTENUATORS.
- DISCHARGE AIR ATTENUATORS.
- PERIMETER BASE FRAME (NON-LOAD ACOUSTIC FLOORS OPTIONAL EXTRA).
- REMOVABLE ACCESS PANEL TO PIPEWORK AT REAR.
- REMOVABLE ACCESS PANELS TO ACCESS COILS.
- HINGED ACCESS PANELS TO CONTROL PANEL.

Waiting approval prior to manufacture

ALL SUPPORT STEELWORK CALCULATIONS TO BE CARRIED OUT BY A STRUCTURAL ENGINEER. OTHER INTERMEDIATE SUPPORT STEELWORK MAY BE REQUIRED.



FINISH: PLASTISOL SHEET 10A05 GOOSEWING GREY.  
 WEIGHT :- CGAX 060 CHILLER :- 1992KGS + PACKAGE :- 1600KGS: TOTAL = 3592KGS.

\*\* MINIMUM CLEARANCE BETWEEN CHILLER AND ANY PIPEWORK FITTINGS OR BENDS.

**CONABEARE ACOUSTICS LIMITED**  
 11 CHILTERN ENTERPRISE CENTRE, STATION ROAD, THEALE, BERKS. RG7 4AA  
 TELEPHONE: 0118 930 3650 FAX No: 0118 930 3912  
 THE INFORMATION CONTAINED ON THIS DRAWING/SPECIFICATION IS THE PROPERTY OF CONABEARE ACOUSTICS LTD. AND MAY NOT BE REPRODUCED OR DISCLOSED TO A THIRD PARTY IN ANY FORM WITHOUT THE WRITTEN PERMISSION OF CONABEARE ACOUSTICS.

CLIENT		PROJECT ROYAL FREE HOSPITAL WEST BUILDING (401) LONDON			TITLE ACOUSTIC PACKAGE 3 FOR TRANE CGAX 060SE LN CHILLER WITH BUFFER TANK.				
DATE 03.04.2023	DWG. No. CS8644-Q9321 WB	CONTRACT No. CS8644	SCALE N.T.S.	DRAWN J.P.	DIMENSIONS m.m.	CHECKED BY D.W.	CONTRACT. No.	SHEET 2	OF 2