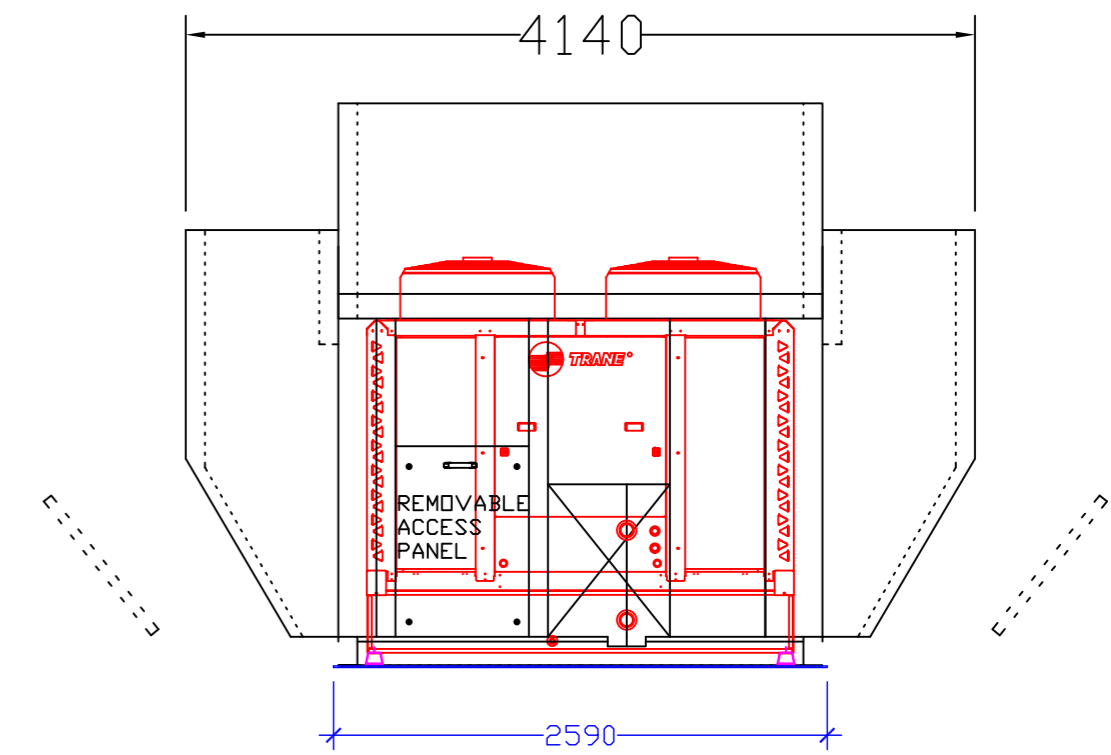
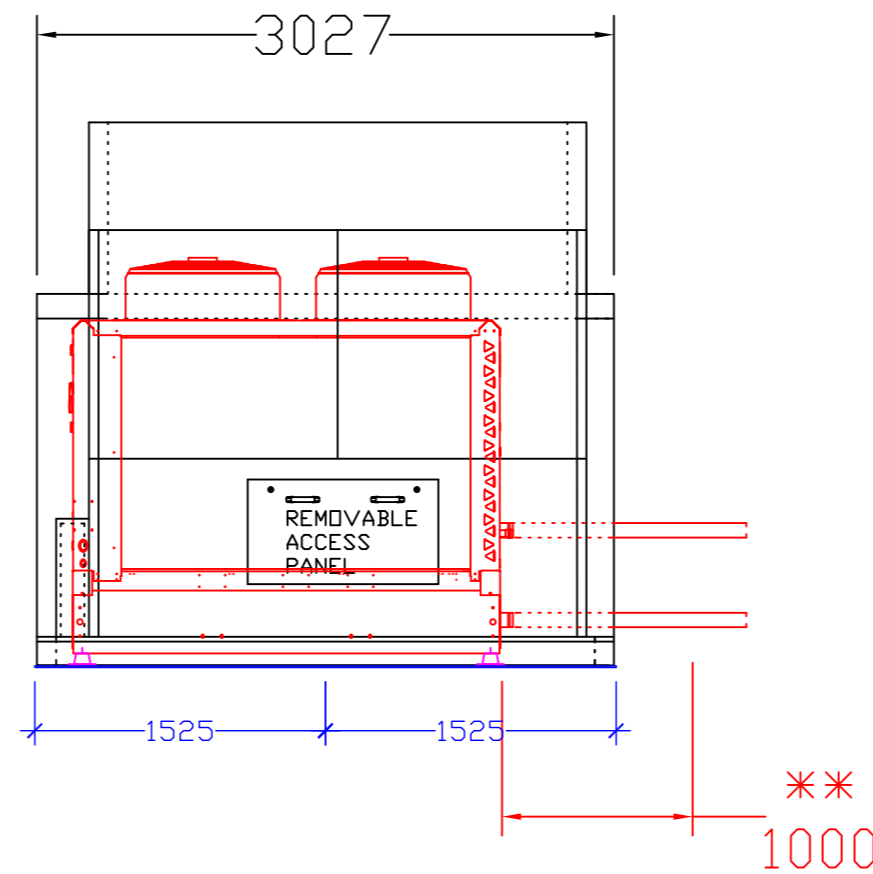
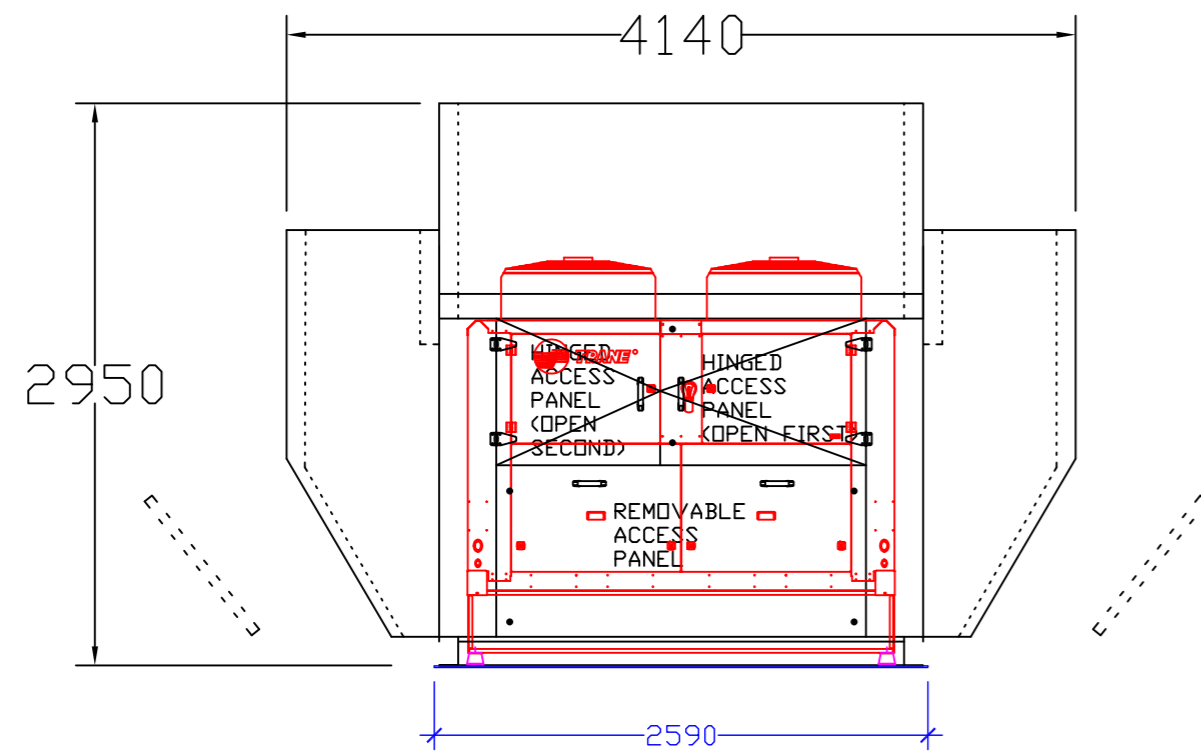
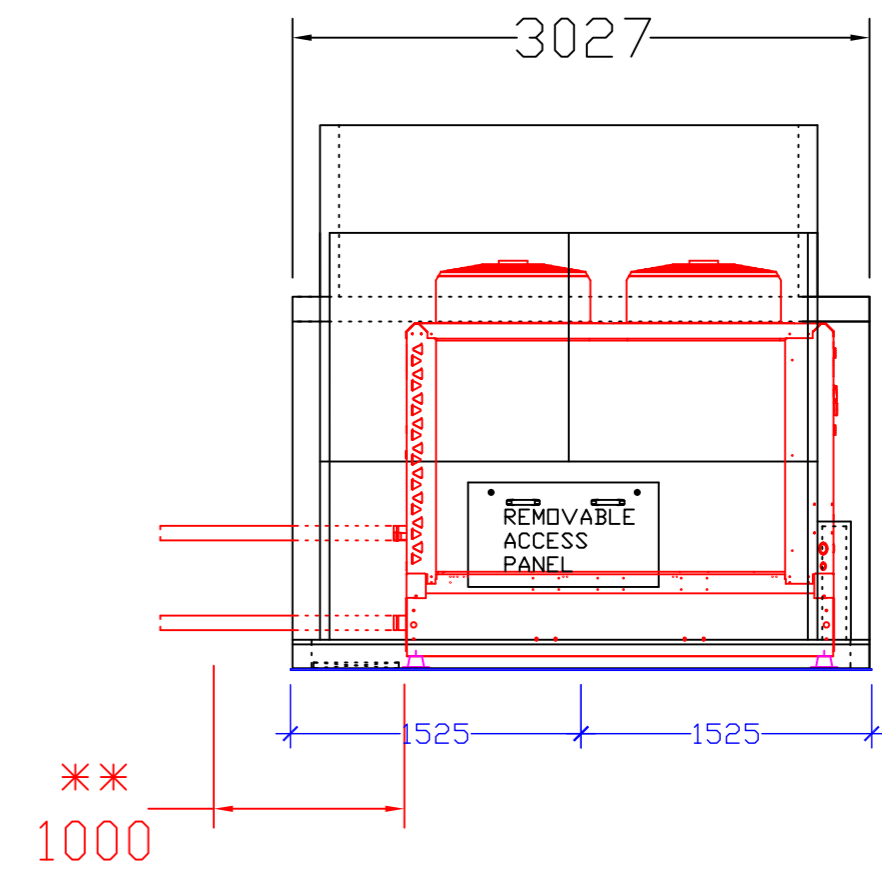
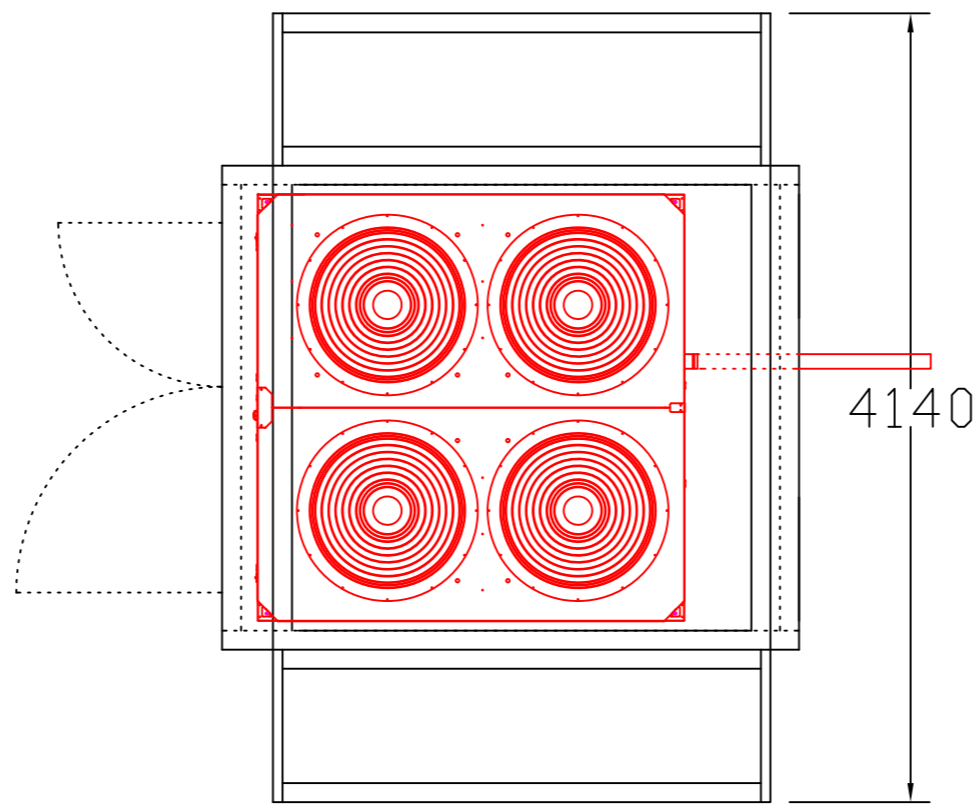


ACOUSTIC PACKAGE COMPRISES THE FOLLOWING PARTS:

- INLET AIR ATTENUATORS.
- DISCHARGE AIR ATTENUATORS.
- PERIMETER BASE FRAME (NON-LOAD ACOUSTIC FLOORS OPTIONAL EXTRA).
- REMOVABLE ACCESS PANEL TO PIPEWORK AT REAR.
- REMOVABLE ACCESS PANELS TO ACCESS COILS.
- HINGED ACCESS PANELS TO CONTROL PANEL.

Waiting approval prior to manufacture

ALL SUPPORT STEELWORK CALCULATIONS TO BE CARRIED OUT BY A STRUCTURAL ENGINEER. OTHER INTERMEDIATE SUPPORT STEELWORK MAY BE REQUIRED.



FINISH: PLASTISOL SHEET 10A05 GOOSEWING GREY.
 WEIGHT :- CGAX 060 CHILLER :- 1992KGS + PACKAGE :- 1600KGS: TOTAL = 3592KGS.

** MINIMUM CLEARANCE BETWEEN CHILLER AND ANY PIPEWORK FITTINGS OR BENDS.

CONABEARE ACOUSTICS LIMITED
 11 CHILTERN ENTERPRISE CENTRE, STATION ROAD, THEALE, BERKS. RG7 4AA
 TELEPHONE: 0118 930 3650 FAX No: 0118 930 3912
 THE INFORMATION CONTAINED ON THIS DRAWING/SPECIFICATION IS THE PROPERTY OF CONABEARE ACOUSTICS LTD. AND MAY NOT BE REPRODUCED OR DISCLOSED TO A THIRD PARTY IN ANY FORM WITHOUT THE WRITTEN PERMISSION OF CONABEARE ACOUSTICS.

CLIENT		PROJECT			TITLE				
		ROYAL FREE HOSPITAL WEST BUILDING (401) LONDON			ACOUSTIC PACKAGE 3 FOR TRANE CGAX 060SE LN CHILLER WITH BUFFER TANK.				
DATE	DWG. No.	CONTRACT No.	SCALE	DRAWN	DIMENSIONS	CHECKED BY	CONTRACT. No.	SHEET	OF
03.04.2023	CS8644-Q9321 WB	CS8644	N.T.S.	J.P.	m.m.	D.W.		1	2