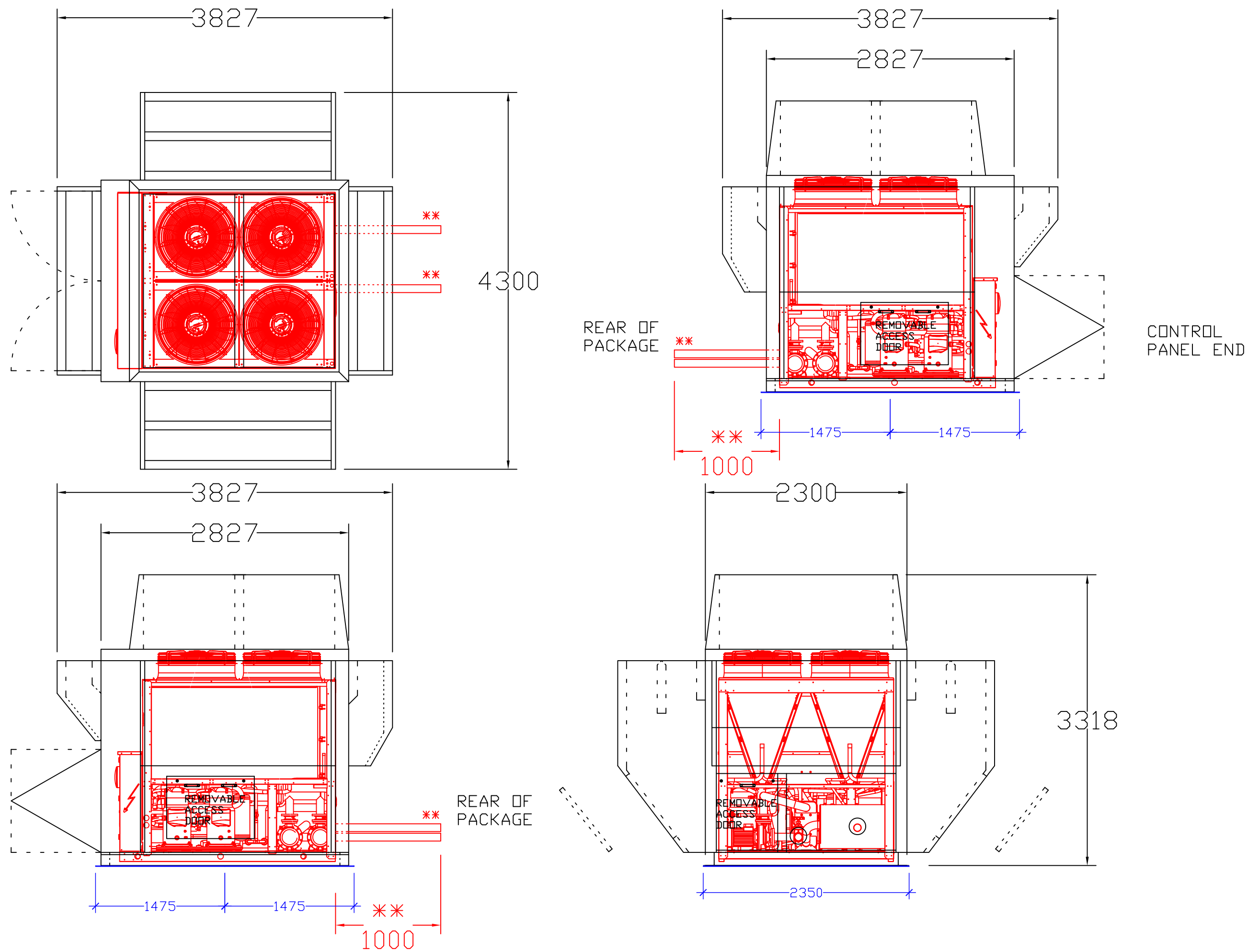


ACOUSTIC PACKAGE COMPRISES THE FOLLOWING PARTS:

- INLET AIR ATTENUATORS.
- DISCHARGE AIR ATTENUATORS.
- PERIMETER BASE FRAME (NON-LOAD ACOUSTIC FLOORS OPTIONAL EXTRA).
- REMOVABLE ACCESS PANEL TO PIPEWORK AT REAR.
- REMOVABLE ACCESS PANELS TO ACCESS COILS.
- ACCESS PANELS TO CONTROL PANEL.

Waiting approval prior to manufacture

ALL SUPPORT STEELWORK CALCULATIONS TO BE CARRIED OUT BY A STRUCTURAL ENGINEER. OTHER INTERMEDIATE SUPPORT STEELWORK MAY BE REQUIRED.



NOTE: PIPEWORK CONNECTION POSITIONS VARY FOR EACH CHILLER



FINISH: PLASTISOL SHEET 10A05 GOOSEWING GREY.
 WEIGHT :- CGAF 060 CHILLER :- 1793KGS + PACKAGE :- 1800KGS. TOTAL = 3593KGS.

** MINIMUM CLEARANCE BETWEEN CHILLER AND ANY PIPEWORK FITTINGS OR BENDS.

CONABEARE ACOUSTICS LIMITED
 11 CHILTERN ENTERPRISE CENTRE, STATION ROAD, THEALE, BERKS. RG7 4AA
 TELEPHONE: 0118 930 3650 FAX No: 0118 930 3912
 THE INFORMATION CONTAINED ON THIS DRAWING/SPECIFICATION IS THE PROPERTY OF CONABEARE ACOUSTICS LTD. AND MAY NOT BE REPRODUCED OR DISCLOSED TO A THIRD PARTY IN ANY FORM WITHOUT THE WRITTEN PERMISSION OF CONABEARE ACOUSTICS.

CLIENT		PROJECT			TITLE				
		ROYAL FREE HOSPITAL SOUTH BUILDING (301) LONDON			PACK 1MP ACOUSTIC PACKAGE FOR TRANE CGAF 4 FAN AIR COOLED CHILLERS WITH PUMPS & BUFFER TANK				
DATE	DWG. No.	CONTRACT. No.	SCALE	DRAWN	DIMENSIONS	CHECKED BY	DATA	SHEET	OF
03.04.2023	CS8644-Q9321 SB	CS8644	N.T.S.	J.P.	m.m.	D.W.		1	2