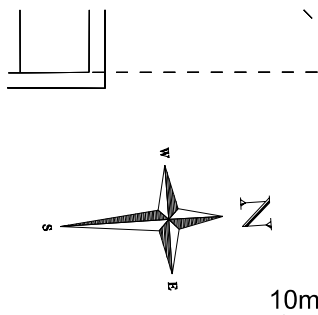
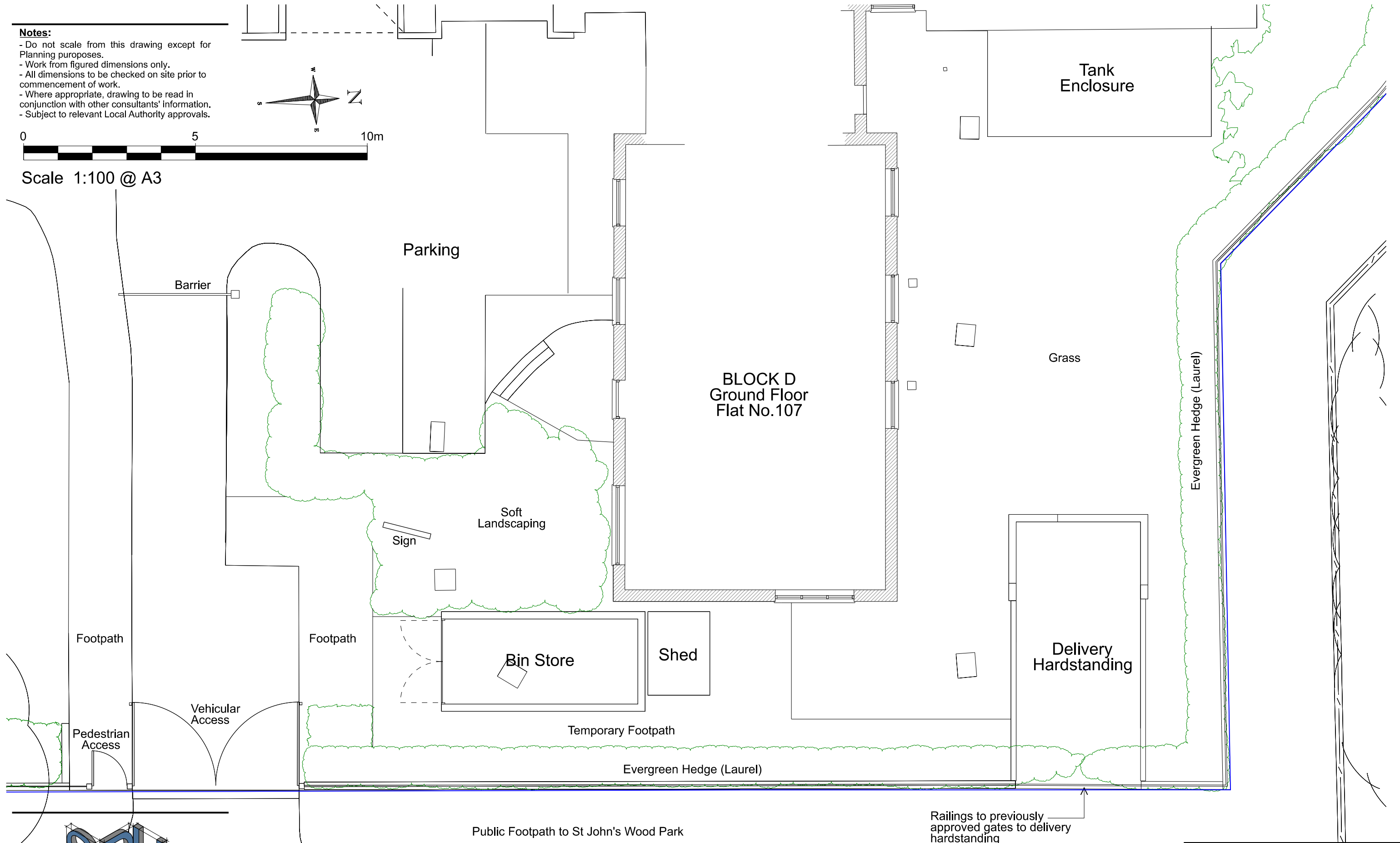


- Notes:**
- Do not scale from this drawing except for Planning purposes.
 - Work from figured dimensions only.
 - All dimensions to be checked on site prior to commencement of work.
 - Where appropriate, drawing to be read in conjunction with other consultants' information.
 - Subject to relevant Local Authority approvals.



Scale 1:100 @ A3



E-mail: info.sphprojects@gmail.com
Tel: 07880 547101

Revisions:

Name: _____
Luckworth Properties Ltd

Project:
Proposed Dwelling at
Boydell Court,
St John's Wood Park,
London, NW8 6NH.

Title: Existing Part Site Plan

Scale: 1:100 @ A3
Date: July 2023

Drawing Number:
561/20