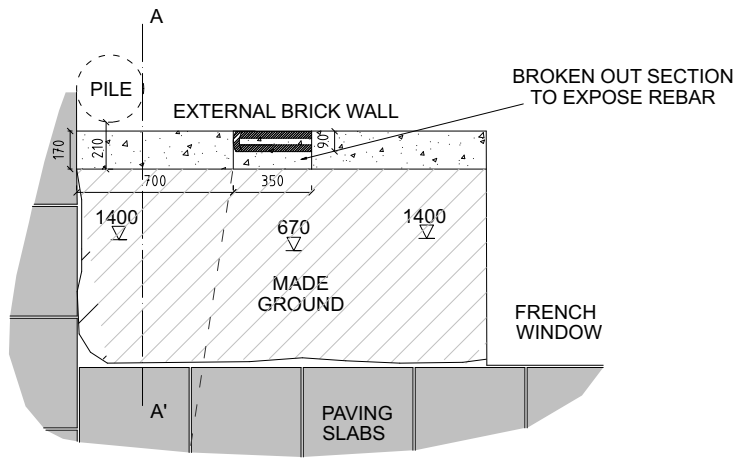
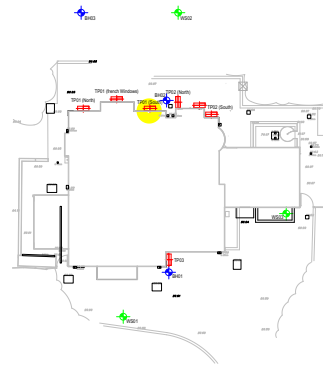
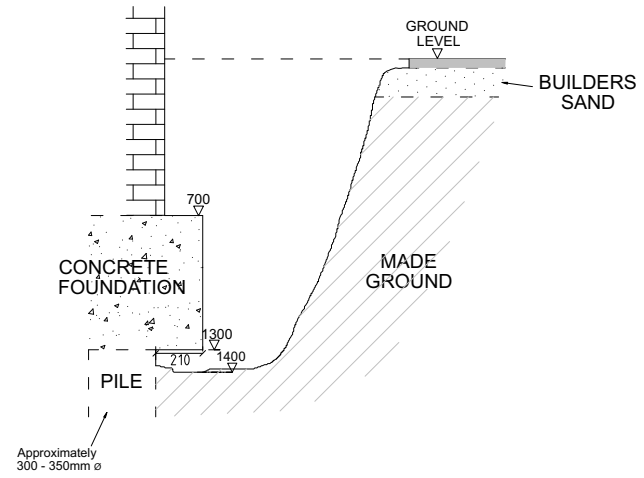




TP01 SOUTH PLAN VIEW

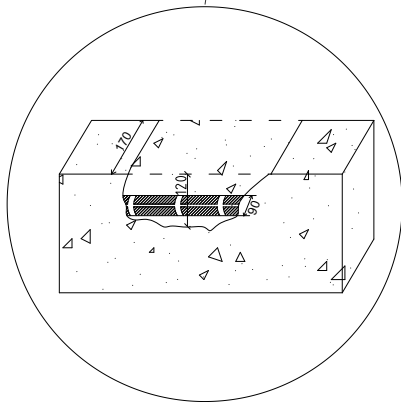


TP01 SOUTH SECTION A-A'



Rev	Date	By	Chkd	Appd
00	19/01/23	CM	CM	AB

TP01 SOUTH PHOTOGRAPH



A2 Site Investigation

One Westminster Bridge Rd
London SE1 7XW
+44(0)20 7021 0396
www.a2-si.com

Client
Chi and June Cheung

Project Title
50 Maresfield Gardens

Drawing Title
TP01 South

A2SI Project Number 26822	Rev 00
-------------------------------------	------------------

Drawing Number
26822-A2SI-XX-XX-DR-Y-0001-00

