

NOTES:
 - FOR BALUSTRADE MOVEMENT JOINTS REFER TO HPM DRAWINGS 24509-125.

PRINT IN COLOUR

Status **PLANNING**

No	Revision	By	Ckd	Psd	Dte
P1	ISSUED FOR PLANNING	JRH	DMC		28 11 22

NOTES

- THIS DRAWING IS TO BE READ IN CONJUNCTION WITH ALL RELEVANT ARCHITECTS & ENGINEERS DRAWINGS, DETAILS AND SPECIFICATIONS.
- CDM DETAILS REFERS TO THE CONSTRUCTION (DESIGN AND MANAGEMENT) REGULATIONS. THE READER MUST REFER TO METHOD STATEMENTS OR RISK ASSESSMENTS AS APPROPRIATE, WHICH IDENTIFY UNUSUAL AND ABNORMAL RISKS THAT A COMPETENT CONTRACTOR COULD NOT BE EXPECTED TO ANTICIPATE.

Hurst Peirce + Malcolm LLP **HPM**
 CONSULTING CIVIL & STRUCTURAL ENGINEERS

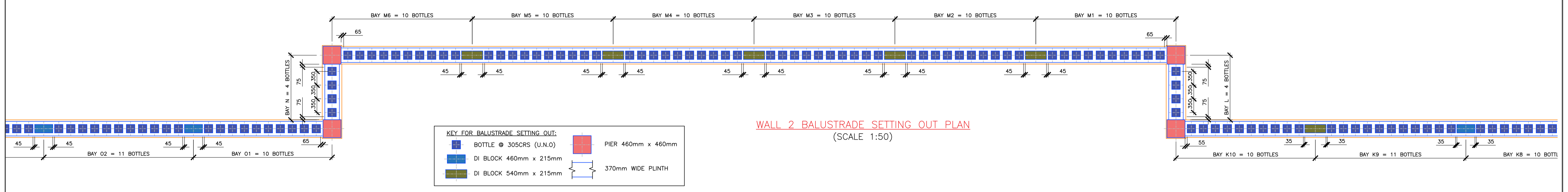
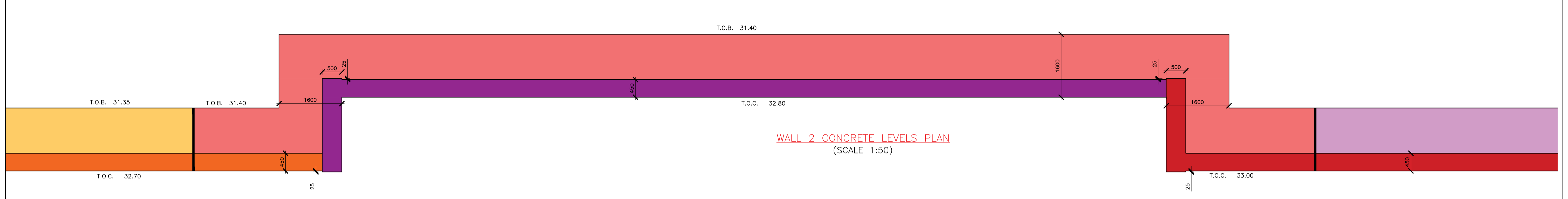
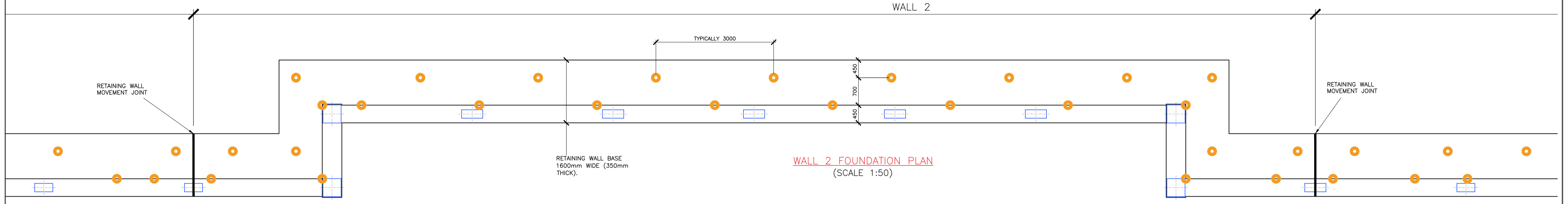
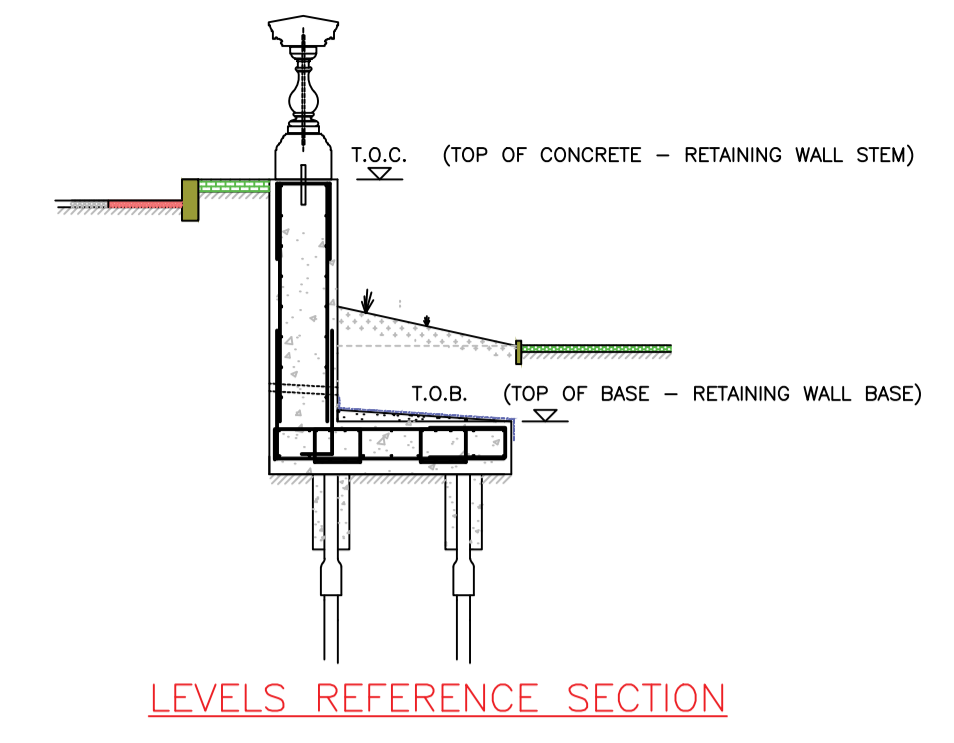
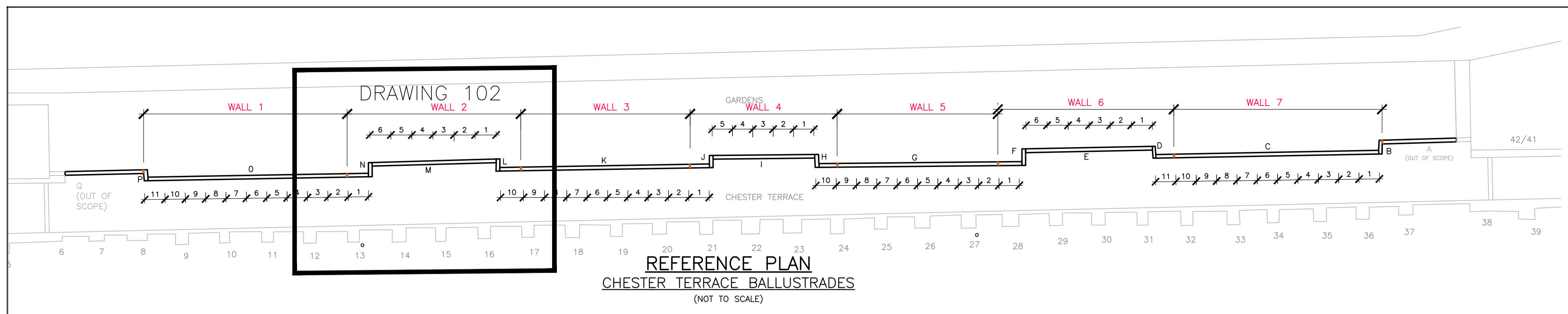
CELTIC HOUSE
 33 JOHN'S MEWS
 HOLBORN
 LONDON WC1N 2QL

E-MAIL: enquiries@hurstpm.co.uk
 WEB PAGE: www.hurstpm.co.uk

TEL: 020 7242 3593
 FAX: 020 7405 5274

ARCHITECT			
CDM DETAILS (Refer to Note 2)	ENG		
Scale AT SHOWN AT A1			
Drawn DH	Checked JRH	Passed DMC	Date OCT 22

Project	CEPC CHESTER TERRACE BALUSTRADE
Title	PROPOSED LEVELS & SETTING OUT PLANS WALL 1
Drawing No.	24509-101 P1



Status **PLANNING**

No	Revision	By	Ckd	Psd	Dte
P1	ISSUED FOR PLANNING	JRH	DMC		28 11 22

PRINT IN COLOUR

NOTES

- THIS DRAWING IS TO BE READ IN CONJUNCTION WITH ALL RELEVANT ARCHITECTS & ENGINEERS DRAWINGS, DETAILS AND SPECIFICATIONS.
- CDM DETAILS REFERS TO THE CONSTRUCTION (DESIGN AND MANAGEMENT) REGULATIONS. THE READER MUST REFER TO METHOD STATEMENTS OR RISK ASSESSMENTS AS APPROPRIATE, WHICH IDENTIFY UNUSUAL AND ABNORMAL RISKS THAT A COMPETENT CONTRACTOR COULD NOT BE EXPECTED TO ANTICIPATE.

Hurst Peirce + Malcolm LLP **HPM**
 CONSULTING CIVIL & STRUCTURAL ENGINEERS

CELTIC HOUSE
 33 JOHN'S MEWS
 HOLBORN
 LONDON WC1N 2QL

TEL: 020 7242 3593
 FAX: 020 7405 5274

E-MAIL: enquiries@hurstpm.co.uk
 WEB PAGE: www.hurstpm.co.uk

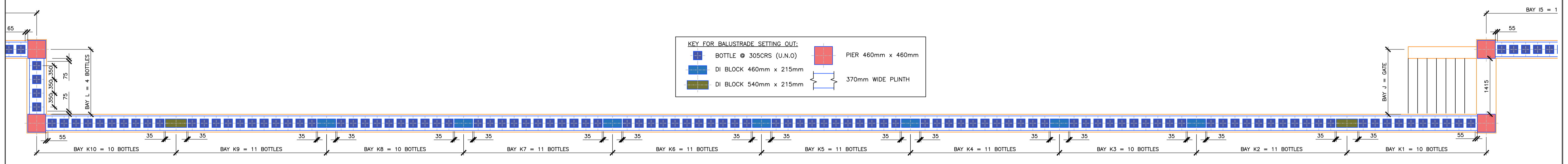
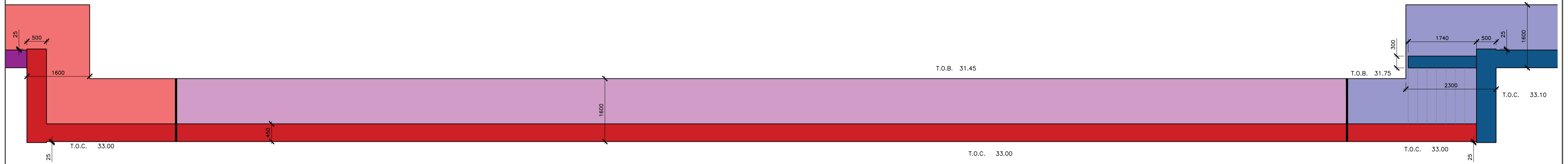
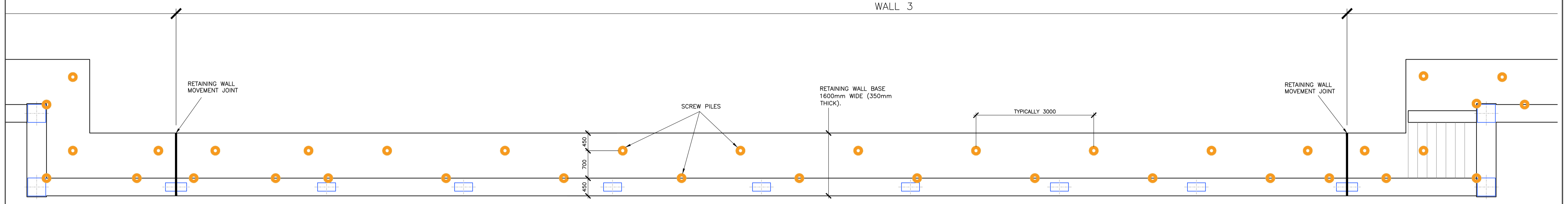
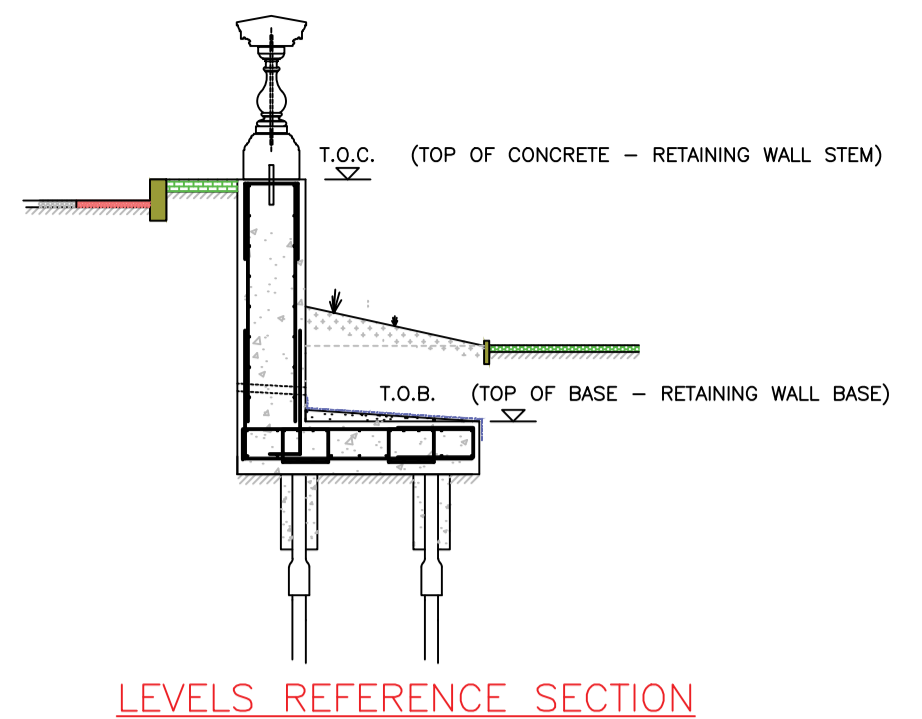
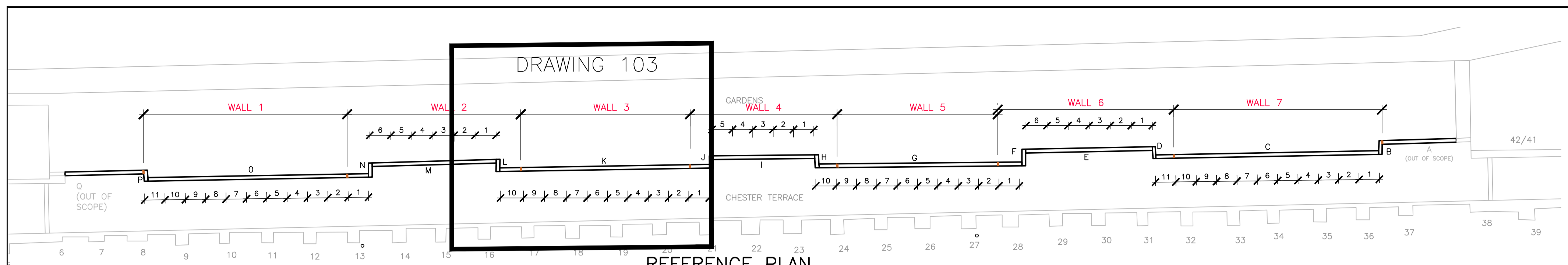
ARCHITECT			
CDM DETAILS (Refer to Note 2)			ENG
Scale AT SHOWN AT A1			
Drawn DH	Checked JRH	Passed DMC	Date OCT 22

Project **CEPC CHESTER TERRACE BALUSTRADE**

Title **PROPOSED LEVELS & SETTING OUT PLANS WALL 2**

Drawing No. **24509-102 P1**

DRAWING 103



Status **PLANNING**

No	Revision	By	Ckd	Psd	Dte
P1	ISSUED FOR PLANNING	JRH	DMC		28 11 22

PRINT IN COLOUR

NOTES

- THIS DRAWING IS TO BE READ IN CONJUNCTION WITH ALL RELEVANT ARCHITECTS & ENGINEERS DRAWINGS, DETAILS AND SPECIFICATIONS.
- CDM DETAILS REFERS TO THE CONSTRUCTION (DESIGN AND MANAGEMENT) REGULATIONS. THE READER MUST REFER TO METHOD STATEMENTS OR RISK ASSESSMENTS AS APPROPRIATE, WHICH IDENTIFY UNUSUAL AND ABNORMAL RISKS THAT A COMPETENT CONTRACTOR COULD NOT BE EXPECTED TO ANTICIPATE.

Hurst Peirce + Malcolm LLP **HPM**
CONSULTING CIVIL & STRUCTURAL ENGINEERS

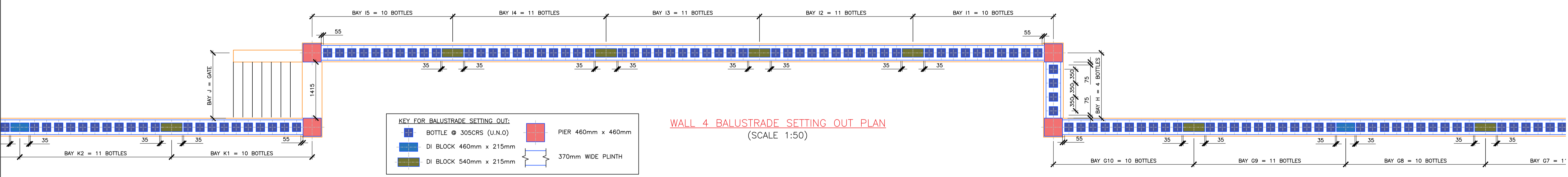
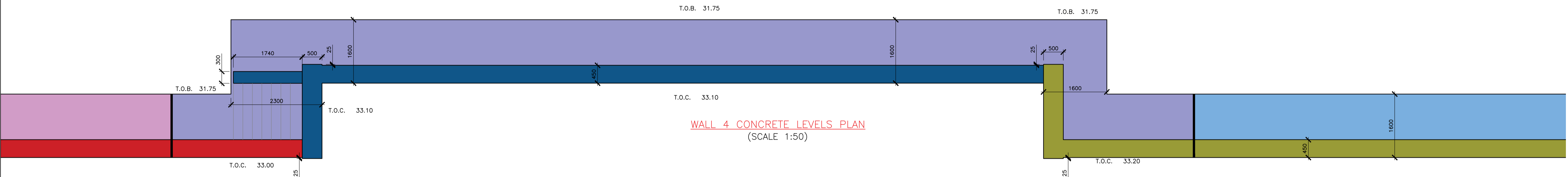
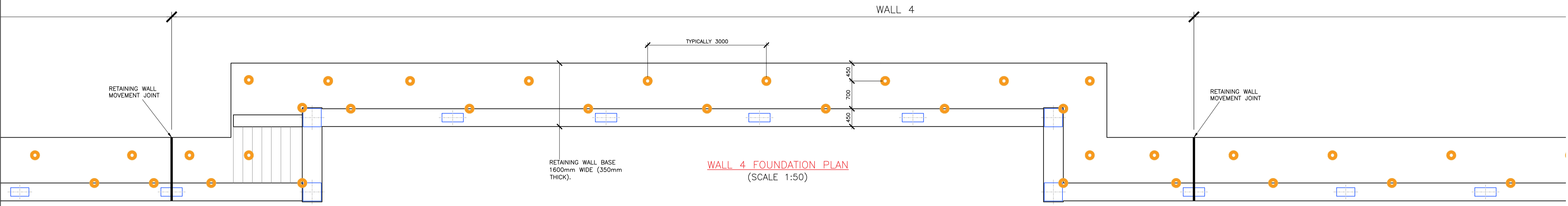
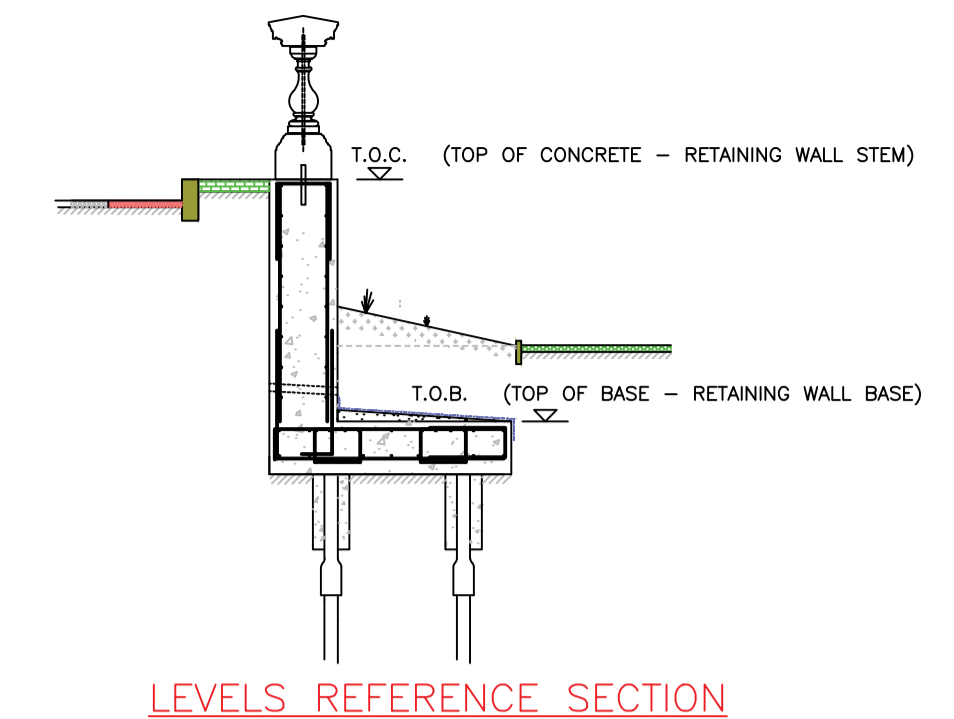
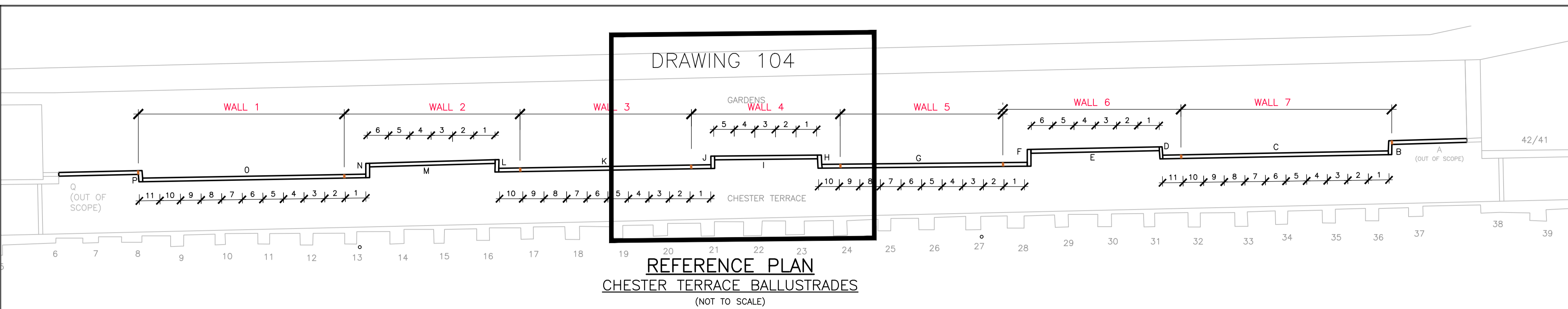
Celtic House
33 JOHN'S MEWS
HOLBORN
LONDON WC1N 2QL

TEL: 020 7242 3593
FAX: 020 7405 5274

E-MAIL: enquiries@hurstpm.co.uk
WEB PAGE: www.hurstpm.co.uk

ARCHITECT			
CDM DETAILS (Refer to Note 2)		ENG	
Scale AT SHOWN AT A1			
Drawn DH	Checked JRH	Passed DMC	Date OCT 22

Project	CEPC CHESTER TERRACE BALUSTRADE
Title	PROPOSED LEVELS & SETTING OUT PLANS WALL 3
Drawing No.	24509-103 P1



Status **PLANNING**

No	Revision	By	Ckd	Psd	Dte
P1	ISSUED FOR PLANNING	JRH	DMC		28 11 22

PRINT IN COLOUR

NOTES

- THIS DRAWING IS TO BE READ IN CONJUNCTION WITH ALL RELEVANT ARCHITECTS & ENGINEERS DRAWINGS, DETAILS AND SPECIFICATIONS.
- CDM DETAILS REFERS TO THE CONSTRUCTION (DESIGN AND MANAGEMENT) REGULATIONS. THE READER MUST REFER TO METHOD STATEMENTS OR RISK ASSESSMENTS AS APPROPRIATE, WHICH IDENTIFY UNUSUAL AND ABNORMAL RISKS THAT A COMPETENT CONTRACTOR COULD NOT BE EXPECTED TO ANTICIPATE.

Hurst Peirce + Malcolm LLP **HPM**
CONSULTING CIVIL & STRUCTURAL ENGINEERS

Celtic House
33 JOHN'S MEWS
HOLBORN
LONDON WC1N 2QL

TEL: 020 7242 3593
FAX: 020 7405 5274

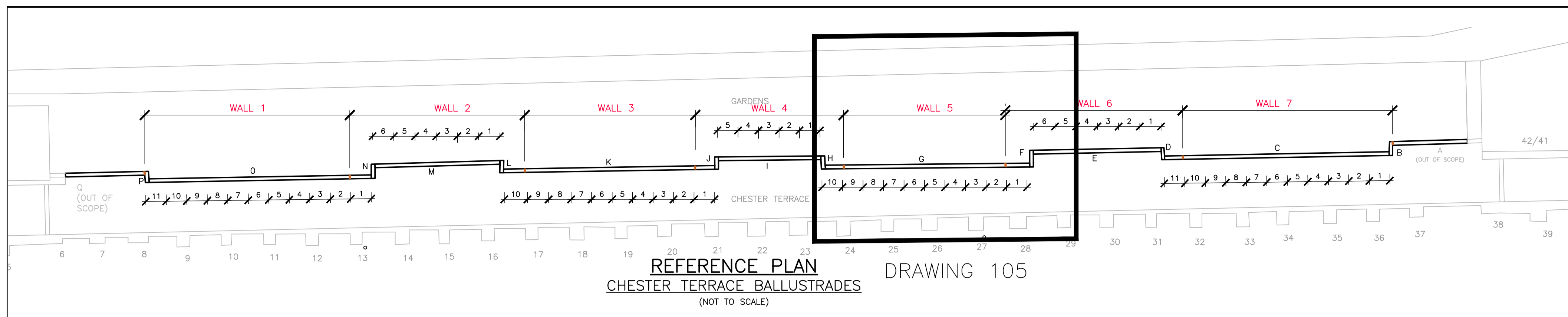
E-MAIL: enquiries@hurstpm.co.uk
WEB PAGE: www.hurstpm.co.uk

ARCHITECT			
CDM DETAILS (Refer to Note 2)			ENG
Scale AT SHOWN AT A1			
Drawn DH	Checked JRH	Passed DMC	Date OCT 22

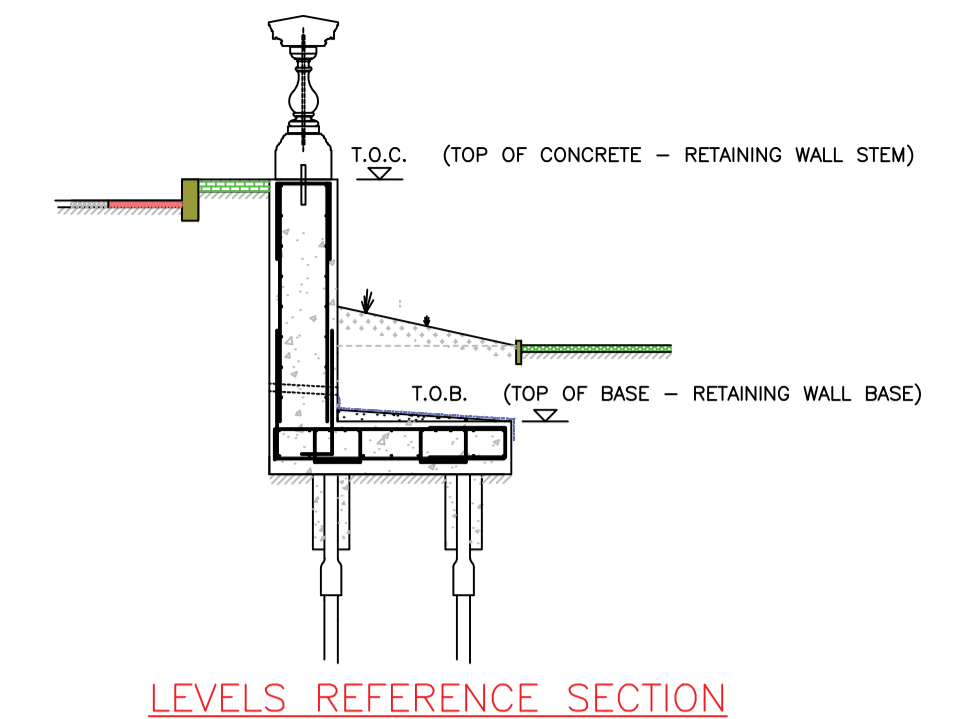
Project **CEPC CHESTER TERRACE BALUSTRADE**

Title **PROPOSED LEVELS & SETTING OUT PLANS WALL 4**

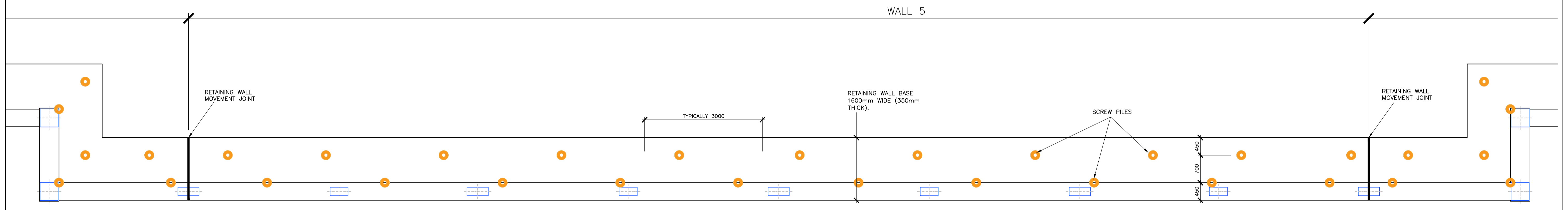
Drawing No. **24509-104 P1**



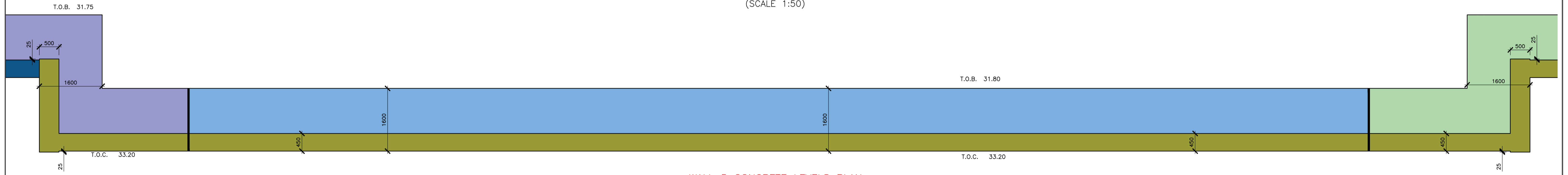
REFERENCE PLAN
CHESTER TERRACE BALUSTRADES
(NOT TO SCALE) DRAWING 105



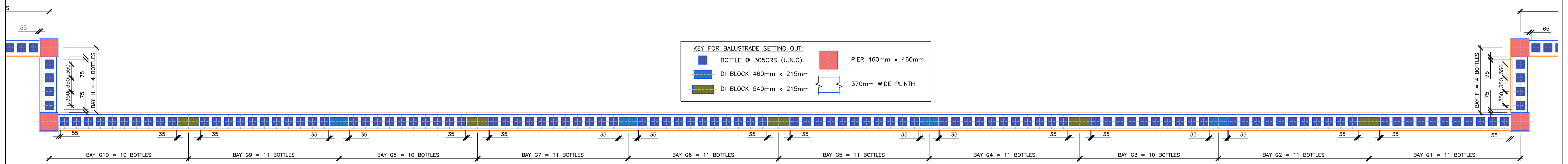
LEVELS REFERENCE SECTION



WALL 5 FOUNDATION PLAN
(SCALE 1:50)



WALL 5 CONCRETE LEVELS PLAN
(SCALE 1:50)



WALL 5 BALUSTRADE SETTING OUT PLAN
(SCALE 1:50)

Status **PLANNING**

No	Revision	By	Ckd	Psd	Dte
P1	ISSUED FOR PLANNING	JRH	DMC		28 11 22

NOTES

- THIS DRAWING IS TO BE READ IN CONJUNCTION WITH ALL RELEVANT ARCHITECTS & ENGINEERS DRAWINGS, DETAILS AND SPECIFICATIONS.
- CDM DETAILS REFERS TO THE CONSTRUCTION (DESIGN AND MANAGEMENT) REGULATIONS. THE READER MUST REFER TO METHOD STATEMENTS OR RISK ASSESSMENTS AS APPROPRIATE, WHICH IDENTIFY UNUSUAL AND ABNORMAL RISKS THAT A COMPETENT CONTRACTOR COULD NOT BE EXPECTED TO ANTICIPATE.

Hurst Peirce + Malcolm LLP **HPM**
CONSULTING CIVIL & STRUCTURAL ENGINEERS

Celtic House
33 JOHN'S MEWS
HOLBORN
LONDON WC1N 2QL

TEL: 020 7242 3593
FAX: 020 7405 5274

E-MAIL: enquiries@hurstpm.co.uk
WEB PAGE: www.hurstpm.co.uk

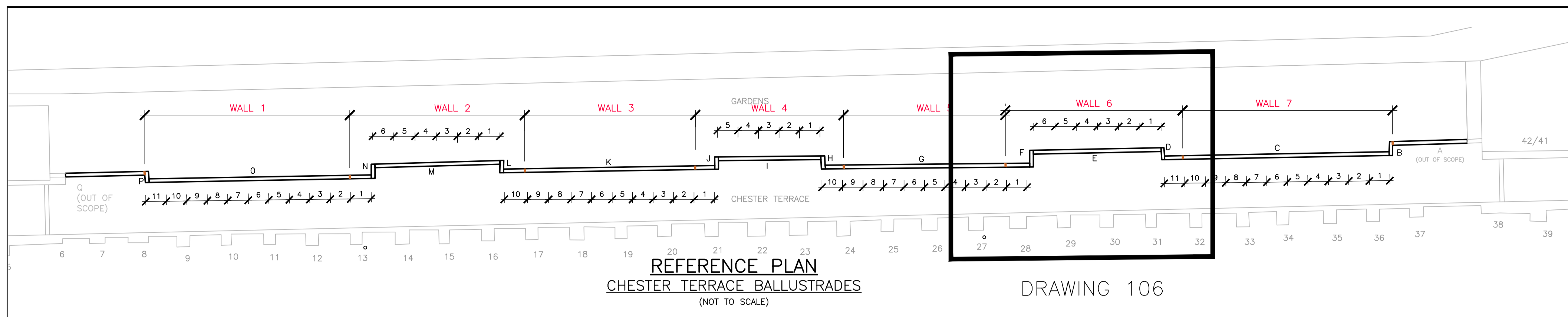
ARCHITECT			
CDM DETAILS (Refer to Note 2)	ENG		
Scale AT SHOWN AT A1			
Drawn DH	Checked JRH	Passed DMC	Date OCT 22

Project **CEPC CHESTER TERRACE BALUSTRADE**

Title **PROPOSED LEVELS & SETTING OUT PLANS WALL 5**

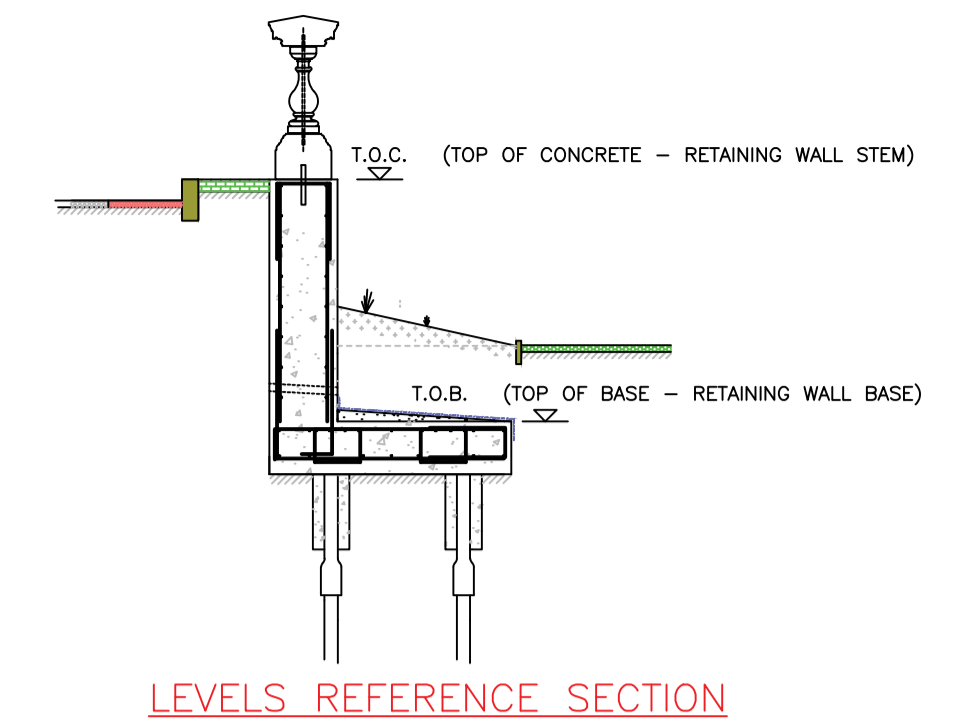
Drawing No. **24509-105 P1**

PRINT IN COLOUR

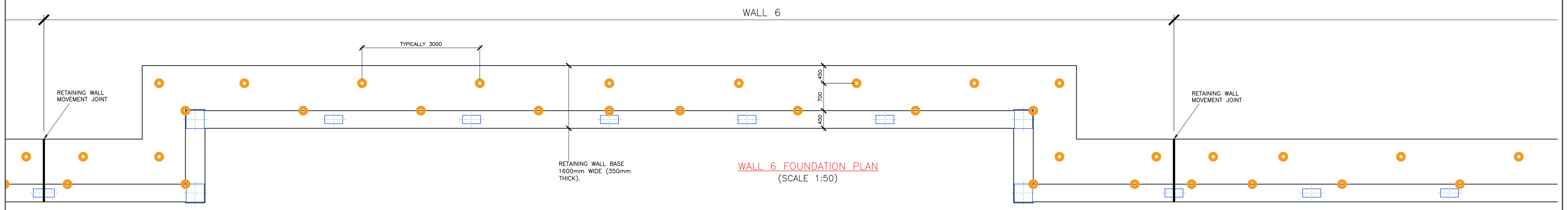


REFERENCE PLAN
CHESTER TERRACE BALUSTRADES
(NOT TO SCALE)

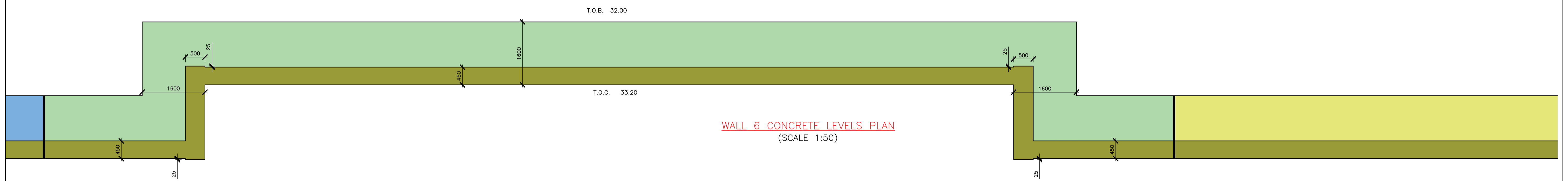
DRAWING 106



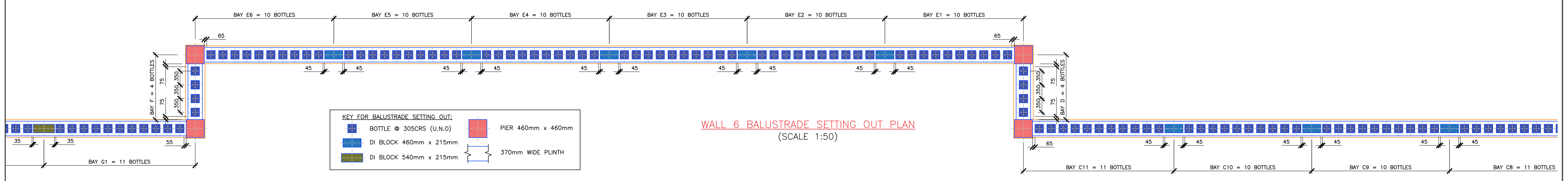
LEVELS REFERENCE SECTION



WALL 6 FOUNDATION PLAN
(SCALE 1:50)



WALL 6 CONCRETE LEVELS PLAN
(SCALE 1:50)



WALL 6 BALUSTRADE SETTING OUT PLAN
(SCALE 1:50)

KEY FOR BALUSTRADE SETTING OUT:

	BOTTLE \varnothing 305CRS (U.N.O.)		PIER 460mm x 460mm
	DI BLOCK 460mm x 215mm		370mm WIDE PLINTH
	DI BLOCK 540mm x 215mm		

Status **PLANNING**

No	Revision	By	Ckd	Psd	Dte
P1	ISSUED FOR PLANNING	JRH	DMC		28 11 22

PRINT IN COLOUR

NOTES

- THIS DRAWING IS TO BE READ IN CONJUNCTION WITH ALL RELEVANT ARCHITECTS & ENGINEERS DRAWINGS, DETAILS AND SPECIFICATIONS.
- CDM DETAILS REFERS TO THE CONSTRUCTION (DESIGN AND MANAGEMENT) REGULATIONS. THE READER MUST REFER TO METHOD STATEMENTS OR RISK ASSESSMENTS AS APPROPRIATE, WHICH IDENTIFY UNUSUAL AND ABNORMAL RISKS THAT A COMPETENT CONTRACTOR COULD NOT BE EXPECTED TO ANTICIPATE.

Hurst Peirce + Malcolm LLP **HPM**
CONSULTING CIVIL & STRUCTURAL ENGINEERS

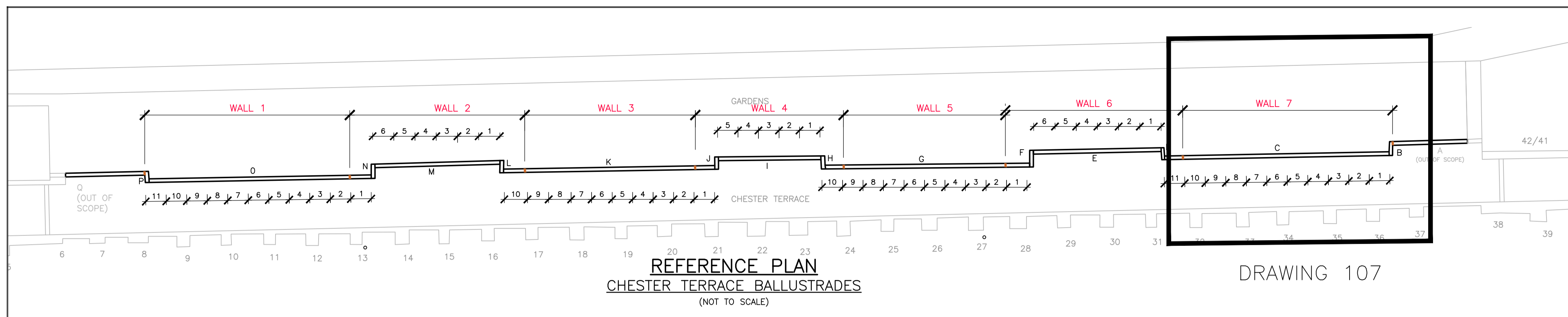
Celtic House
33 JOHN'S MEWS
HOLBORN
LONDON WC1N 2QL

TEL: 020 7242 3593
FAX: 020 7405 5274

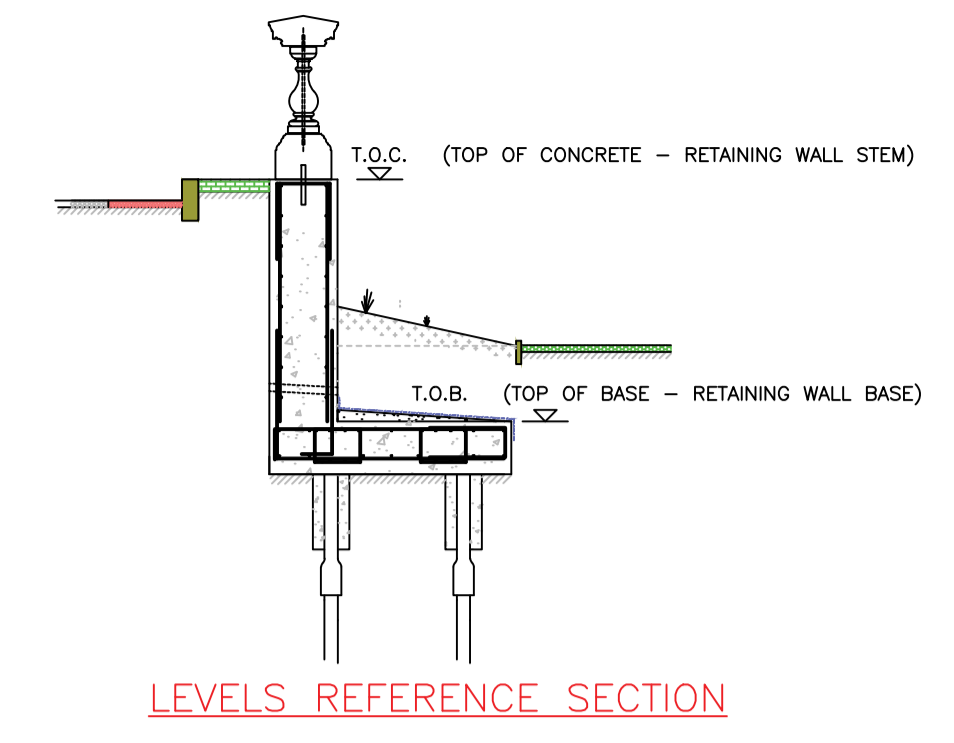
E-MAIL: enquiries@hurstpm.co.uk
WEB PAGE: www.hurstpm.co.uk

ARCHITECT			
CDM DETAILS (Refer to Note 2)			ENG
Scale AT SHOWN AT A1			
Drawn DH	Checked JRH	Passed DMC	Date OCT 22

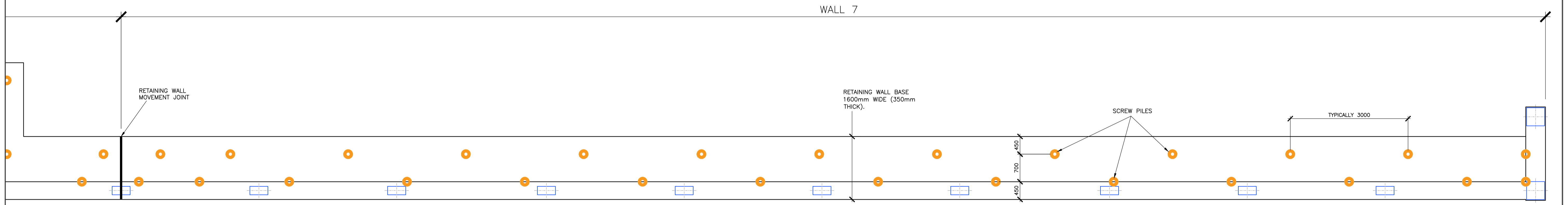
Project	CEPC CHESTER TERRACE BALUSTRADE
Title	PROPOSED LEVELS & SETTING OUT PLANS WALL 6
Drawing No.	24509-106 P1



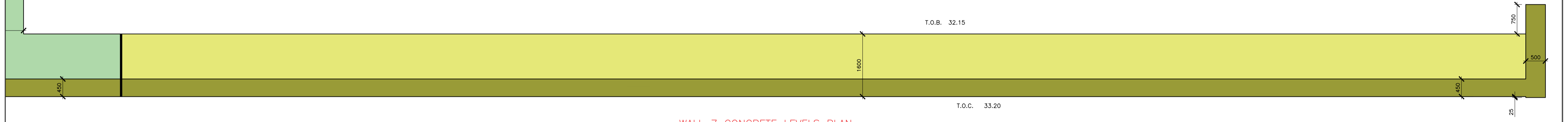
DRAWING 107



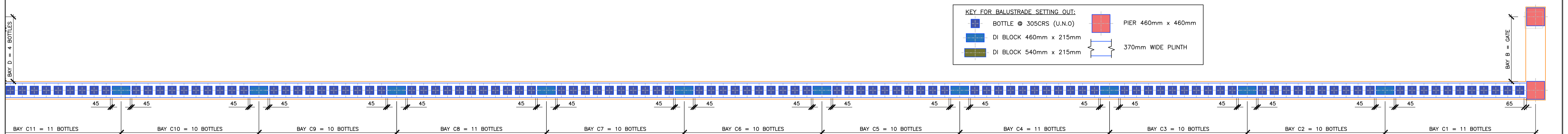
LEVELS REFERENCE SECTION



WALL 7 FOUNDATION PLAN (SCALE 1:50)



WALL 7 CONCRETE LEVELS PLAN (SCALE 1:50)



WALL 7 BALUSTRADE SETTING OUT PLAN (SCALE 1:50)

Status **PLANNING**

No	Revision	By	Ckd	Psd	Dte
P1	ISSUED FOR PLANNING	JRH	DMC		28 11 22

PRINT IN COLOUR

NOTES

- THIS DRAWING IS TO BE READ IN CONJUNCTION WITH ALL RELEVANT ARCHITECTS & ENGINEERS DRAWINGS, DETAILS AND SPECIFICATIONS.
- CDM DETAILS REFERS TO THE CONSTRUCTION (DESIGN AND MANAGEMENT) REGULATIONS. THE READER MUST REFER TO METHOD STATEMENTS OR RISK ASSESSMENTS AS APPROPRIATE, WHICH IDENTIFY UNUSUAL AND ABNORMAL RISKS THAT A COMPETENT CONTRACTOR COULD NOT BE EXPECTED TO ANTICIPATE.

Hurst Peirce + Malcolm LLP **HPM**
CONSULTING CIVIL & STRUCTURAL ENGINEERS

CELTIC HOUSE
33 JOHN'S MEWS
HOLBORN
LONDON WC1N 2QL

TEL: 020 7242 3593
FAX: 020 7405 5274

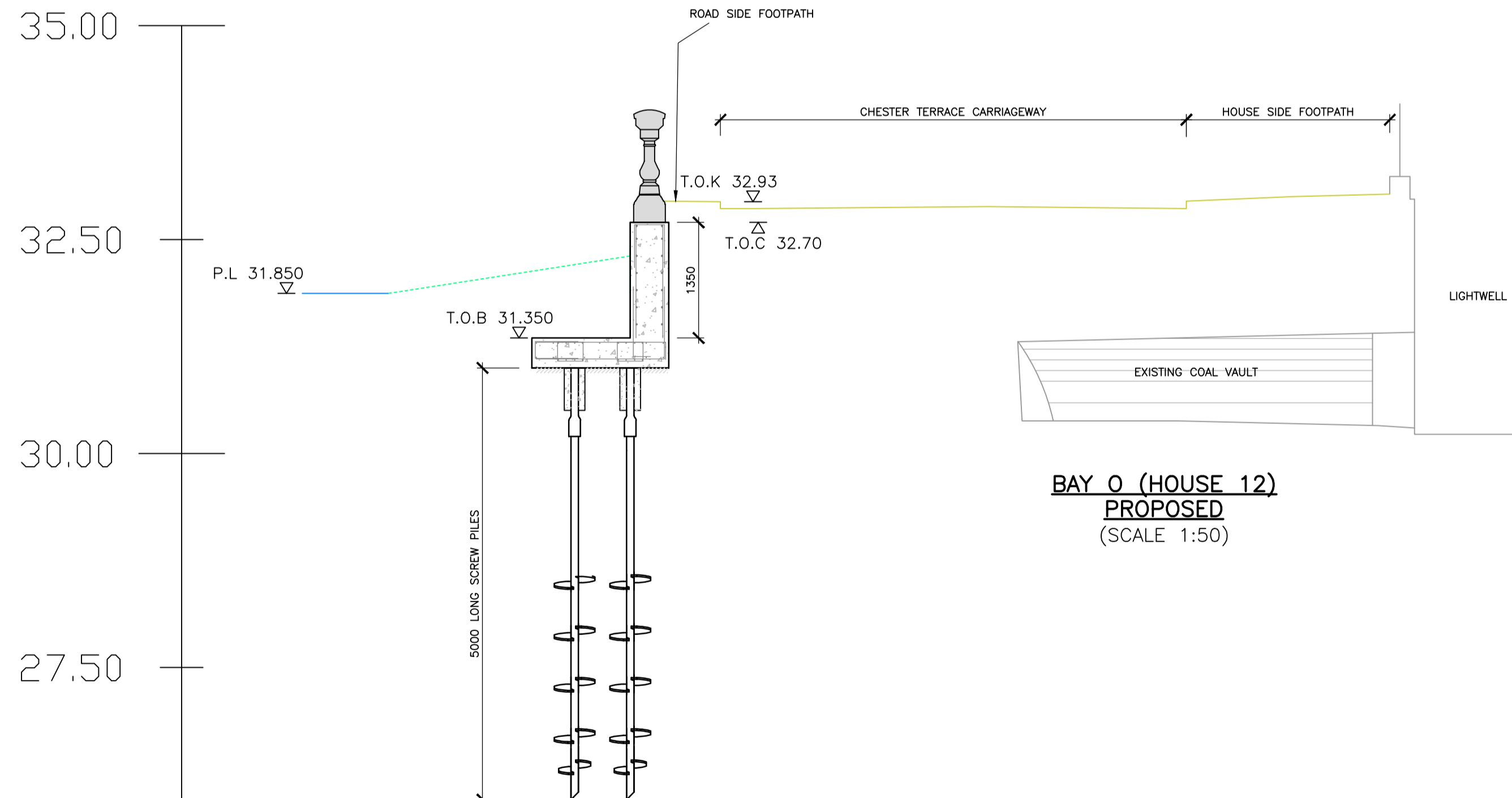
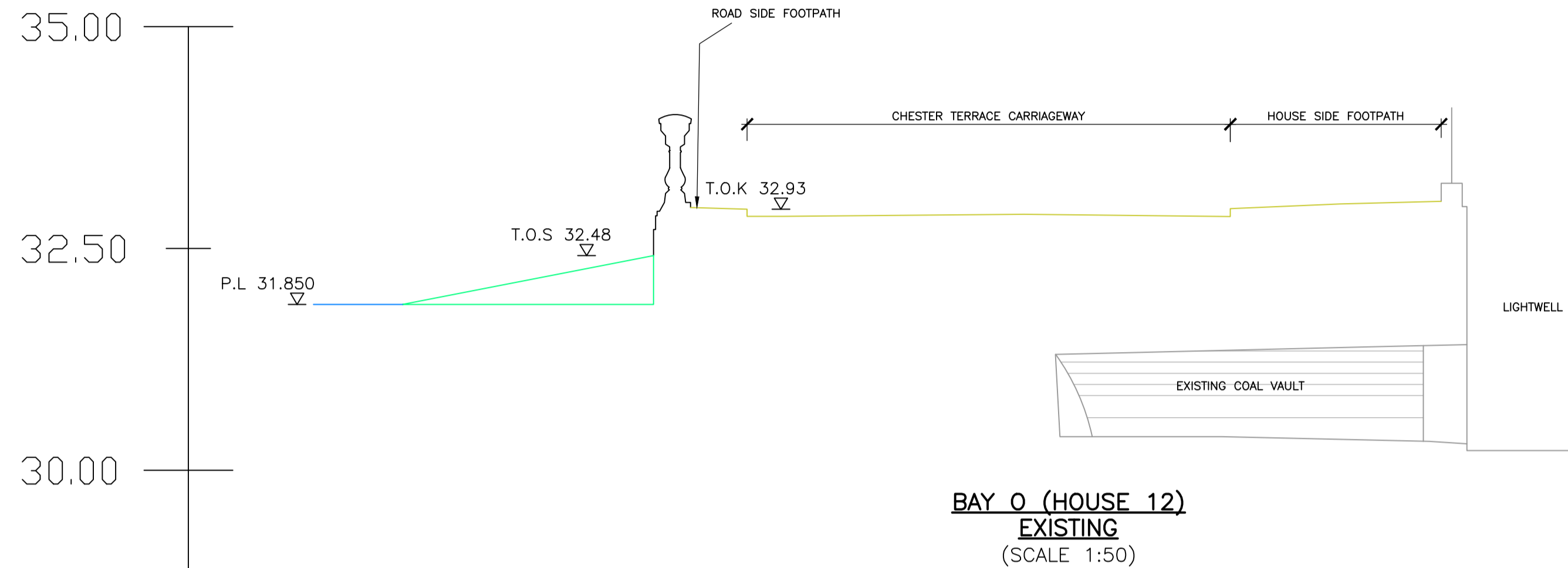
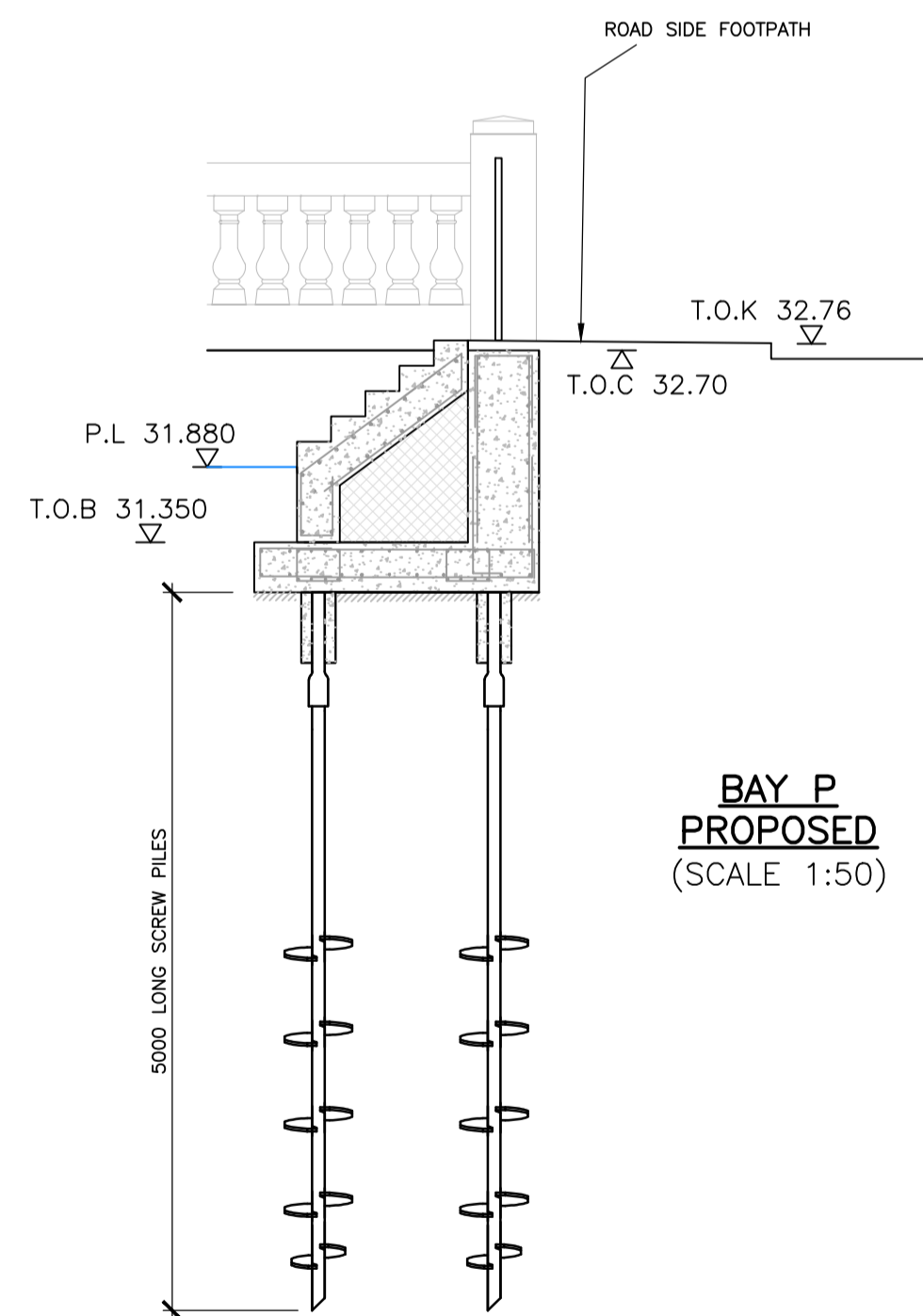
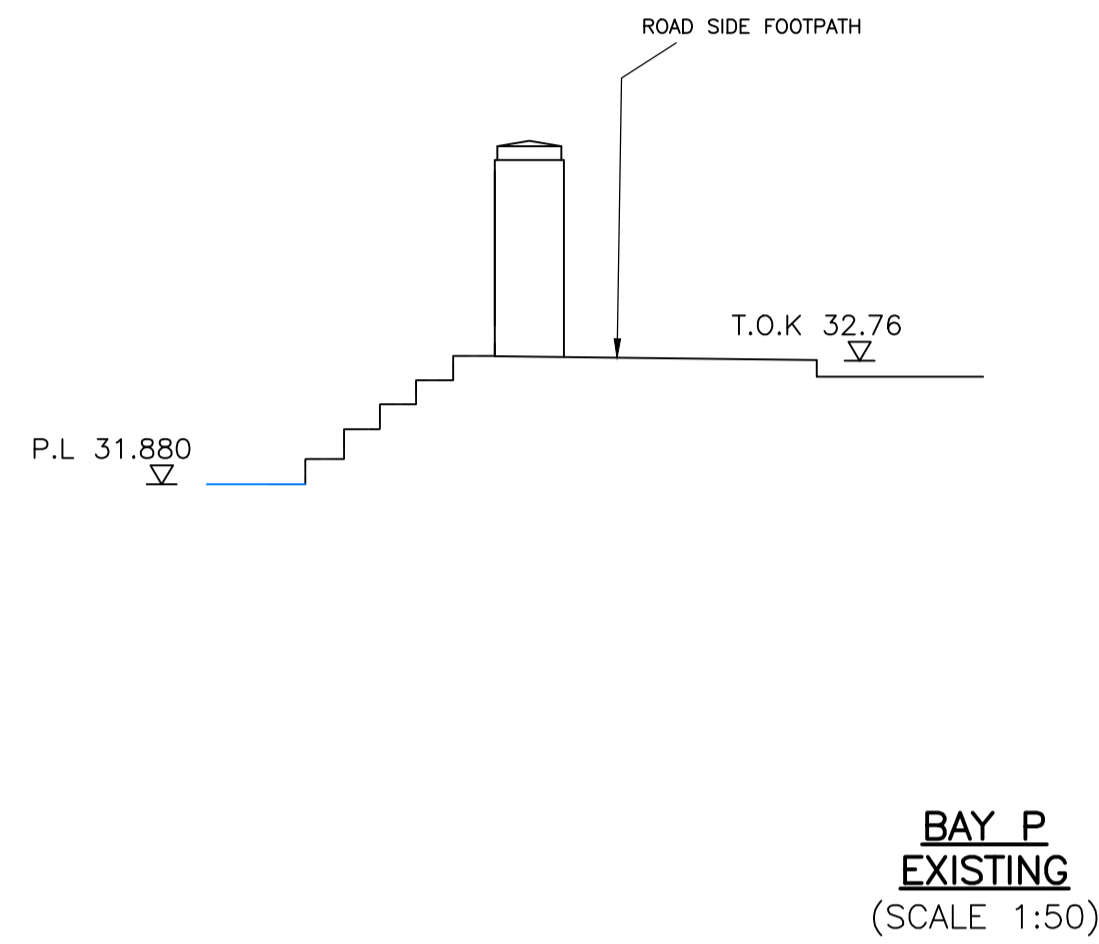
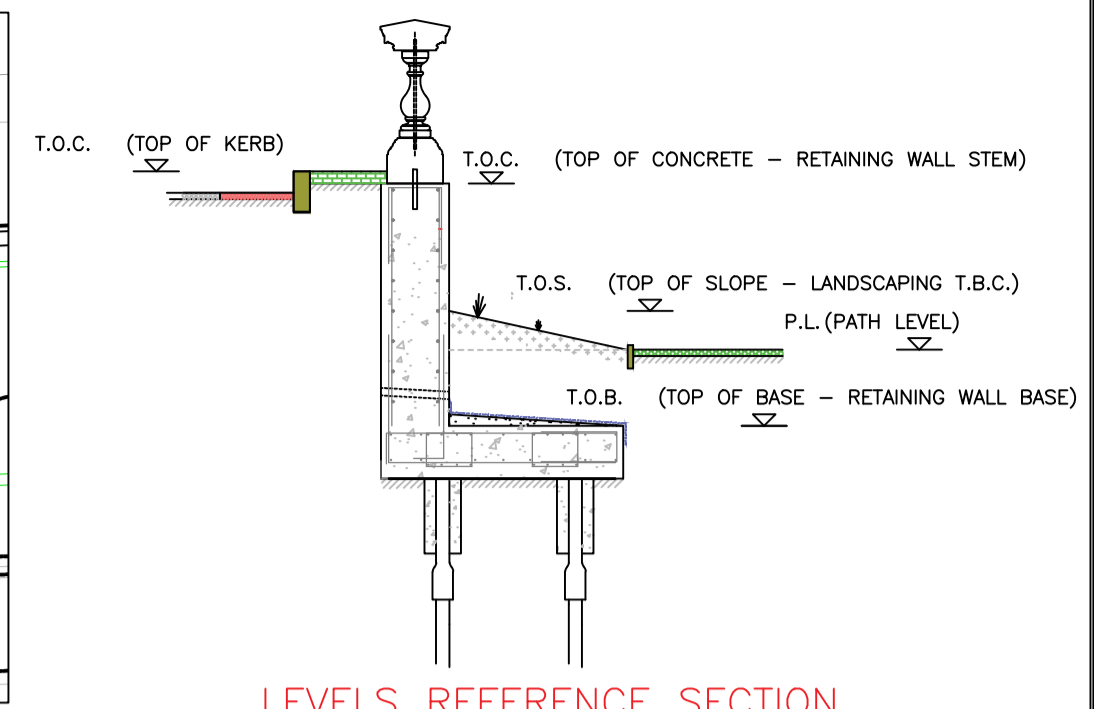
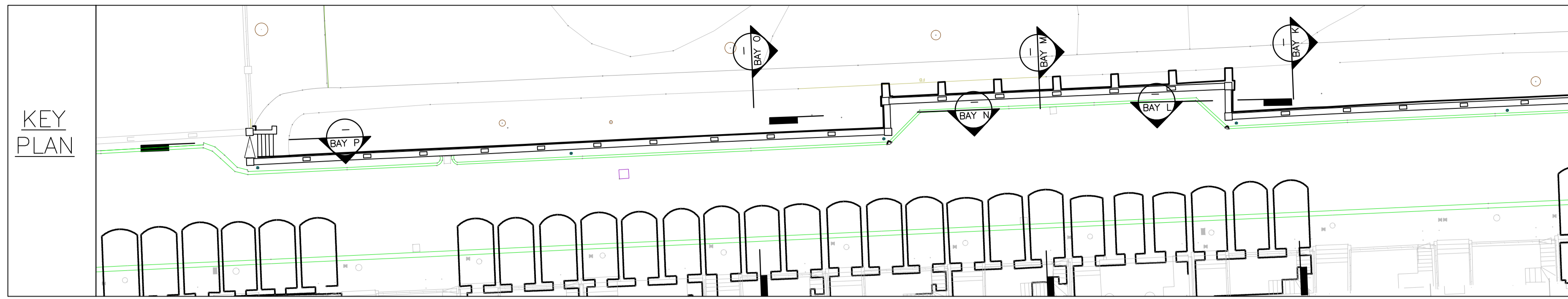
E-MAIL: enquiries@hurstpm.co.uk
WEB PAGE: www.hurstpm.co.uk

ARCHITECT			
CDM DETAILS (Refer to Note 2)			ENG
Scale AT SHOWN AT A1			
Drawn DH	Checked JRH	Passed DMC	Date OCT 22

Project **CEPC CHESTER TERRACE BALUSTRADE**

Title **PROPOSED LEVELS & SETTING OUT PLANS WALL 7**

Drawing No. **24509-107 P1**



Status **PLANNING**

No	Revision	By	Ckd	Psd	Dte
P1	ISSUED FOR PLANNING	JRH	DMC		28 11 22

NOTES

- THIS DRAWING IS TO BE READ IN CONJUNCTION WITH ALL RELEVANT ARCHITECTS & ENGINEERS DRAWINGS, DETAILS AND SPECIFICATIONS.
- CDM DETAILS REFERS TO THE CONSTRUCTION (DESIGN AND MANAGEMENT) REGULATIONS. THE READER MUST REFER TO METHOD STATEMENTS OR RISK ASSESSMENTS AS APPROPRIATE, WHICH IDENTIFY UNUSUAL AND ABNORMAL RISKS THAT A COMPETENT CONTRACTOR COULD NOT BE EXPECTED TO ANTICIPATE.

Hurst Peirce + Malcolm LLP **HPM**
 CONSULTING CIVIL & STRUCTURAL ENGINEERS

Celtic House
 33 JOHN'S MEWS
 HOLBORN
 LONDON WC1N 2QL

TEL: 020 7242 3593
 FAX: 020 7405 5274

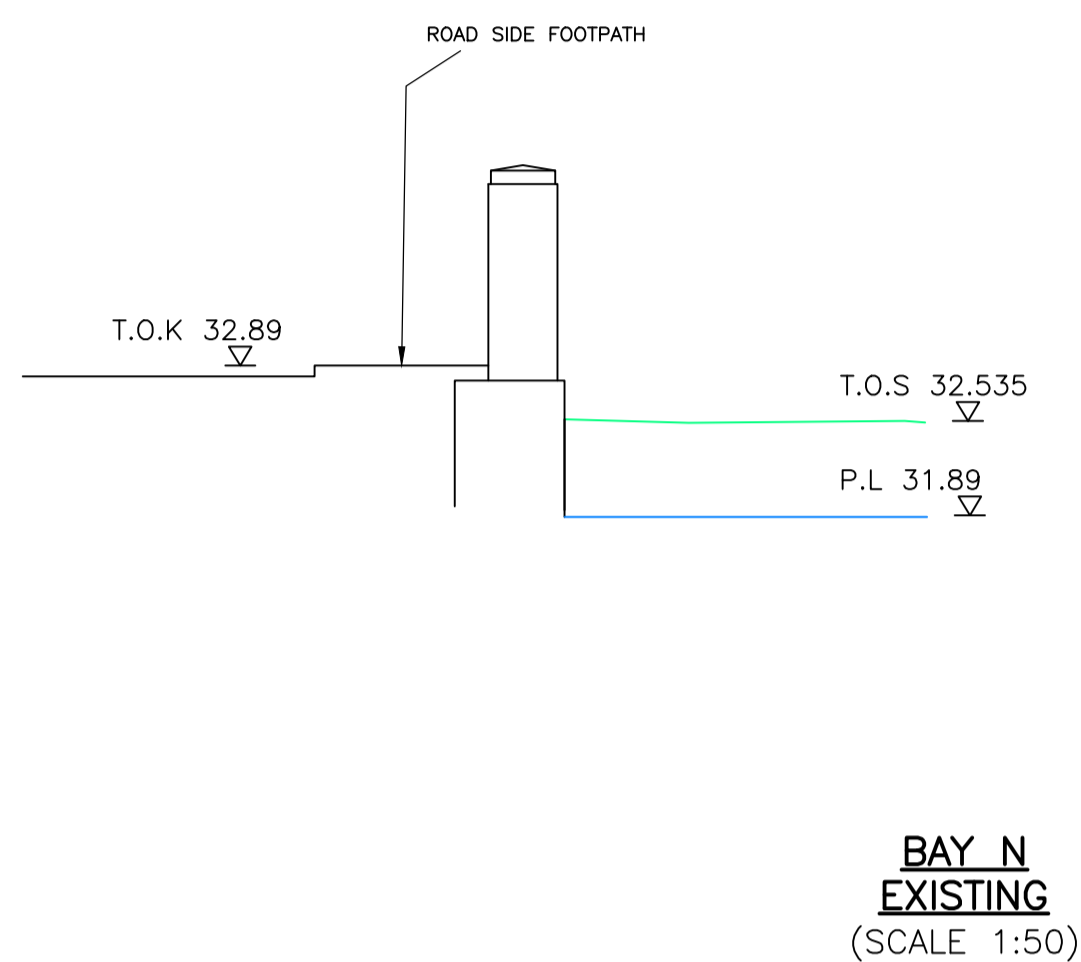
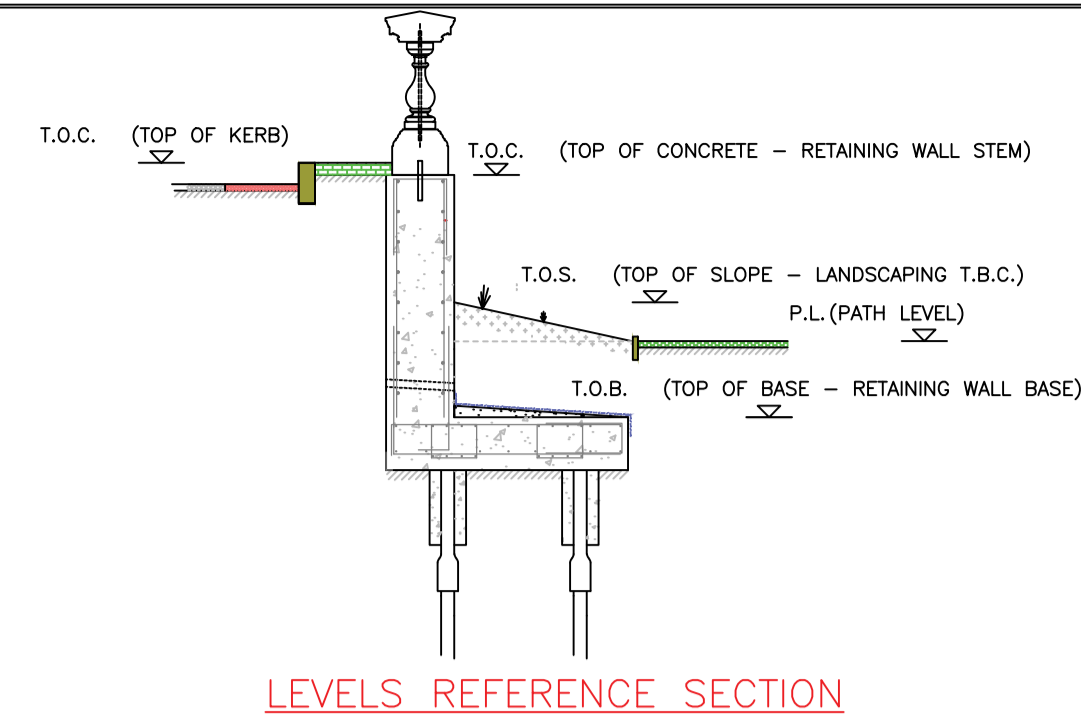
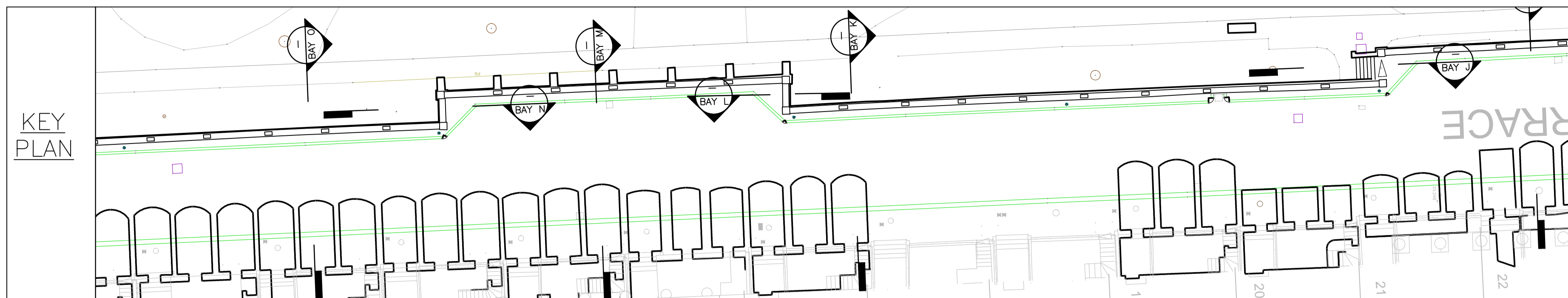
E-MAIL: enquiries@hurstpm.co.uk
 WEB PAGE: www.hurstpm.co.uk

ARCHITECT			
CDM DETAILS (Refer to Note 2)		ENG	
Scale AT SHOWN AT A1			
Drawn DH	Checked JRH	Passed DMC	Date OCT 22

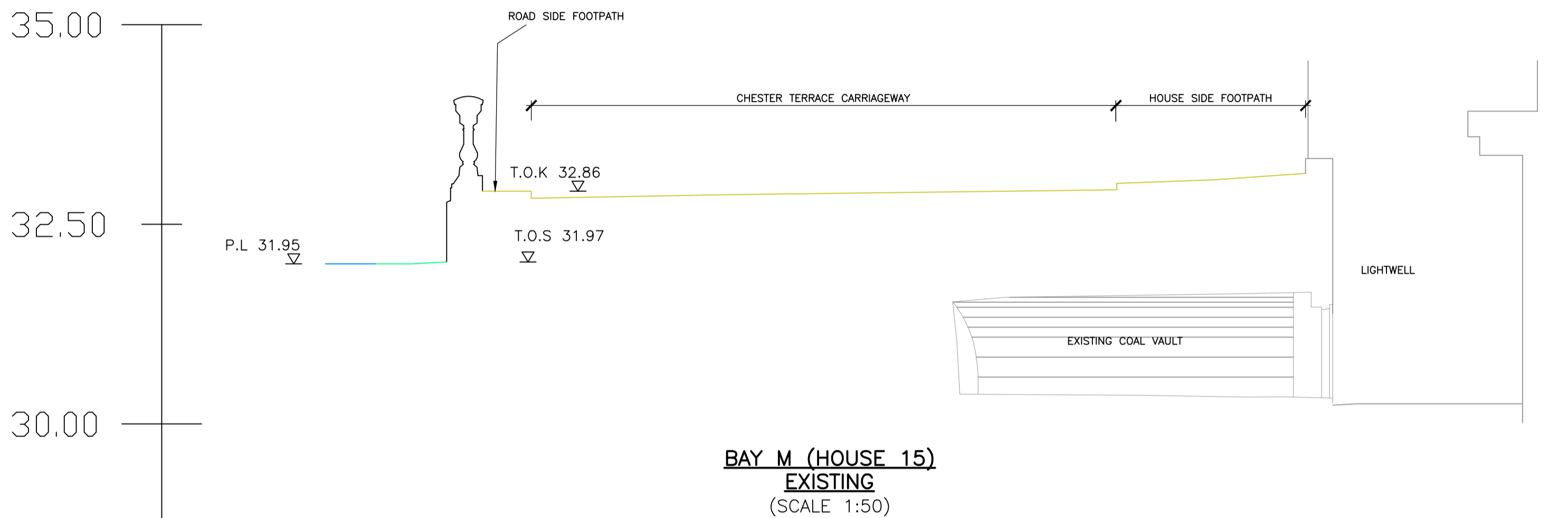
Project **CEPC CHESTER TERRACE BALUSTRADE**

Title **PROPOSED VS EXISTING SECTIONS SHEET 1 OF 8**

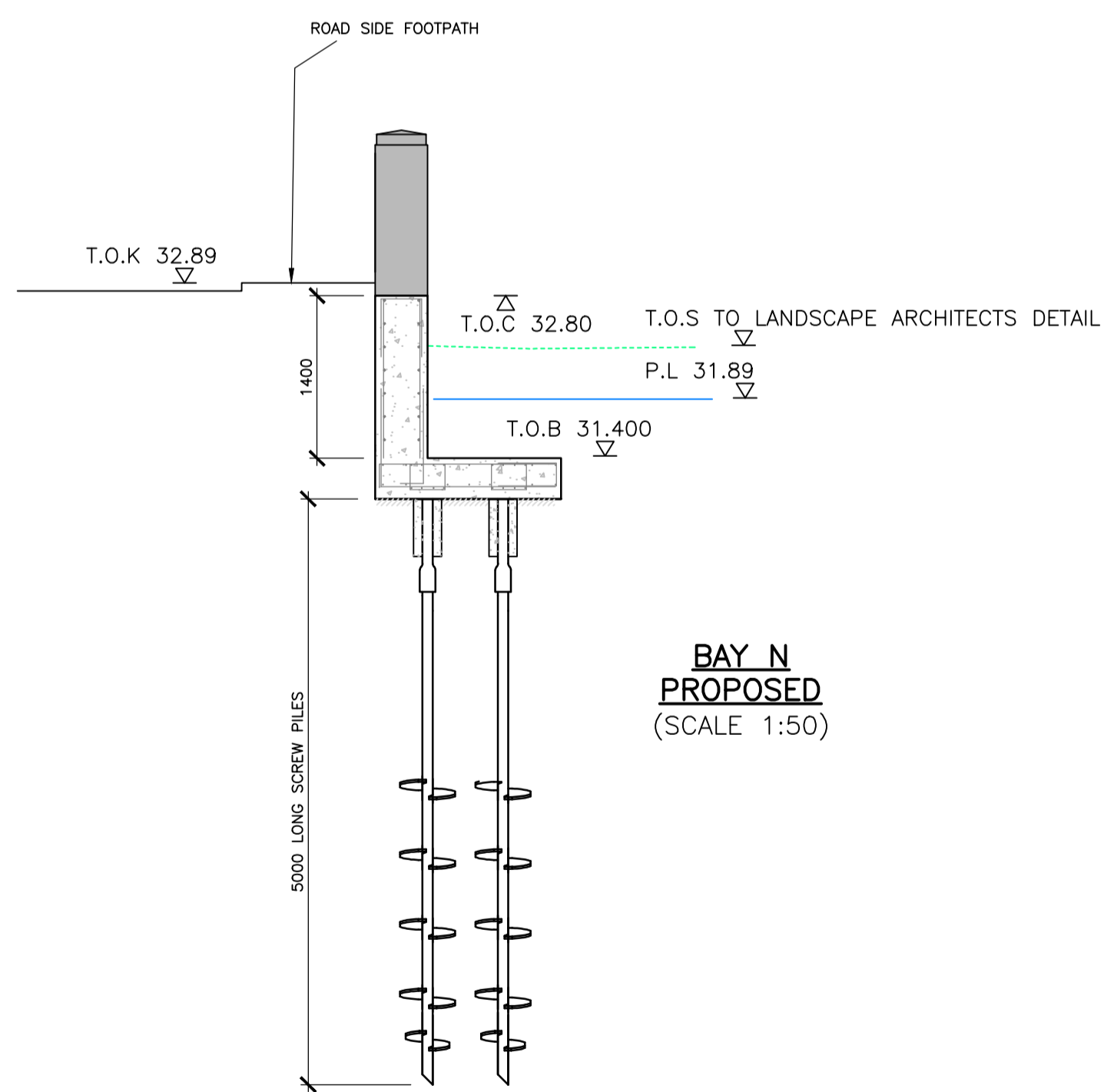
Drawing No. **24509-110 P1**



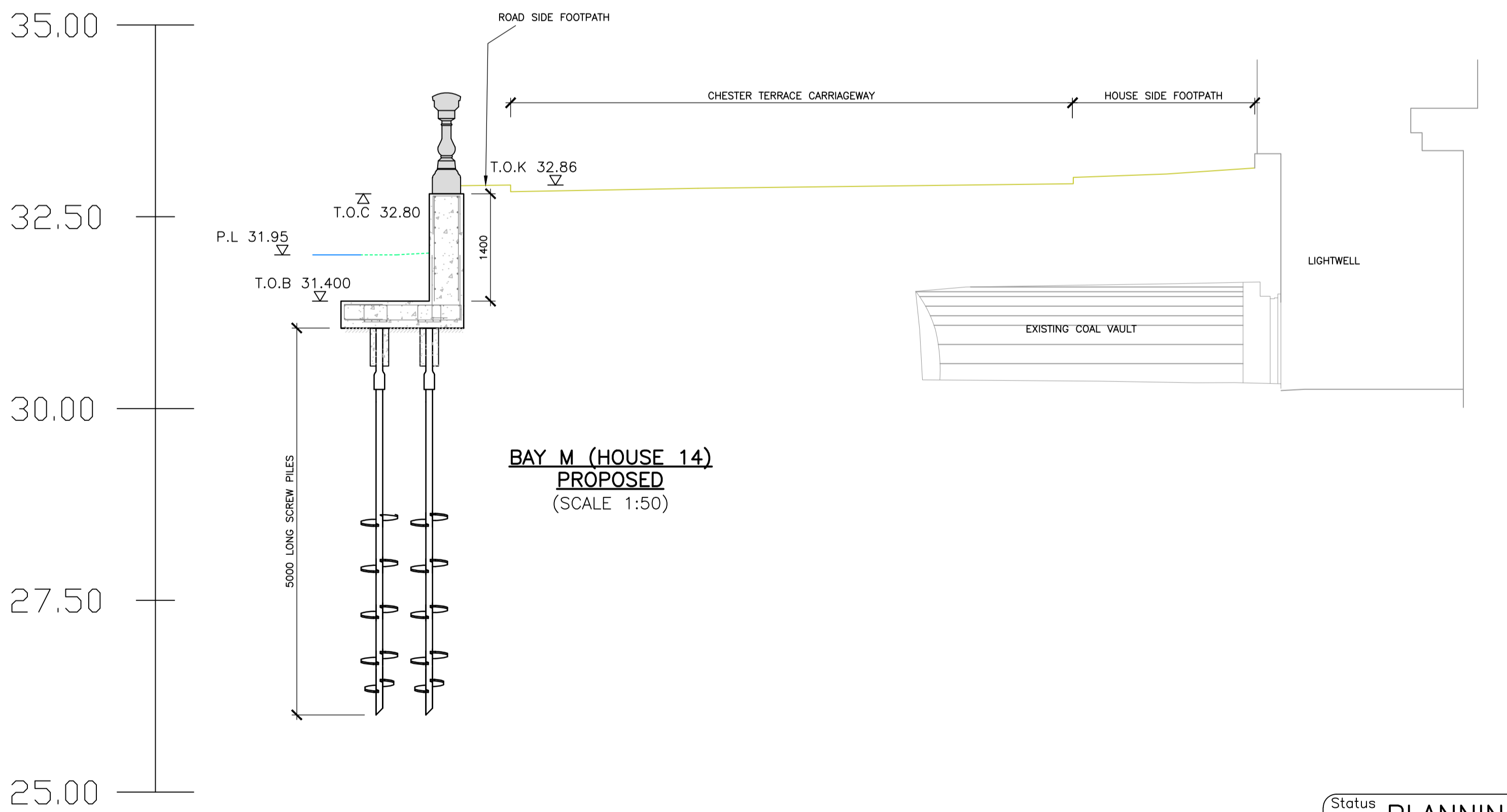
**BAY N
EXISTING**
(SCALE 1:50)



**BAY M (HOUSE 15)
EXISTING**
(SCALE 1:50)



**BAY N
PROPOSED**
(SCALE 1:50)



**BAY M (HOUSE 14)
PROPOSED**
(SCALE 1:50)

Status **PLANNING**

No	Revision	By	Ckd	Psd	Dte
P1	ISSUED FOR PLANNING	JRH	DMC		28 11 22

NOTES

- THIS DRAWING IS TO BE READ IN CONJUNCTION WITH ALL RELEVANT ARCHITECTS & ENGINEERS DRAWINGS, DETAILS AND SPECIFICATIONS.
- CDM DETAILS REFERS TO THE CONSTRUCTION (DESIGN AND MANAGEMENT) REGULATIONS. THE READER MUST REFER TO METHOD STATEMENTS OR RISK ASSESSMENTS AS APPROPRIATE, WHICH IDENTIFY UNUSUAL AND ABNORMAL RISKS THAT A COMPETENT CONTRACTOR COULD NOT BE EXPECTED TO ANTICIPATE.

Hurst Peirce + Malcolm LLP **HPM**
CONSULTING CIVIL & STRUCTURAL ENGINEERS

CELTIC HOUSE
33 JOHN'S MEWS
HOLBORN
LONDON WC1N 2QL

TEL: 020 7242 3593
FAX: 020 7405 5274

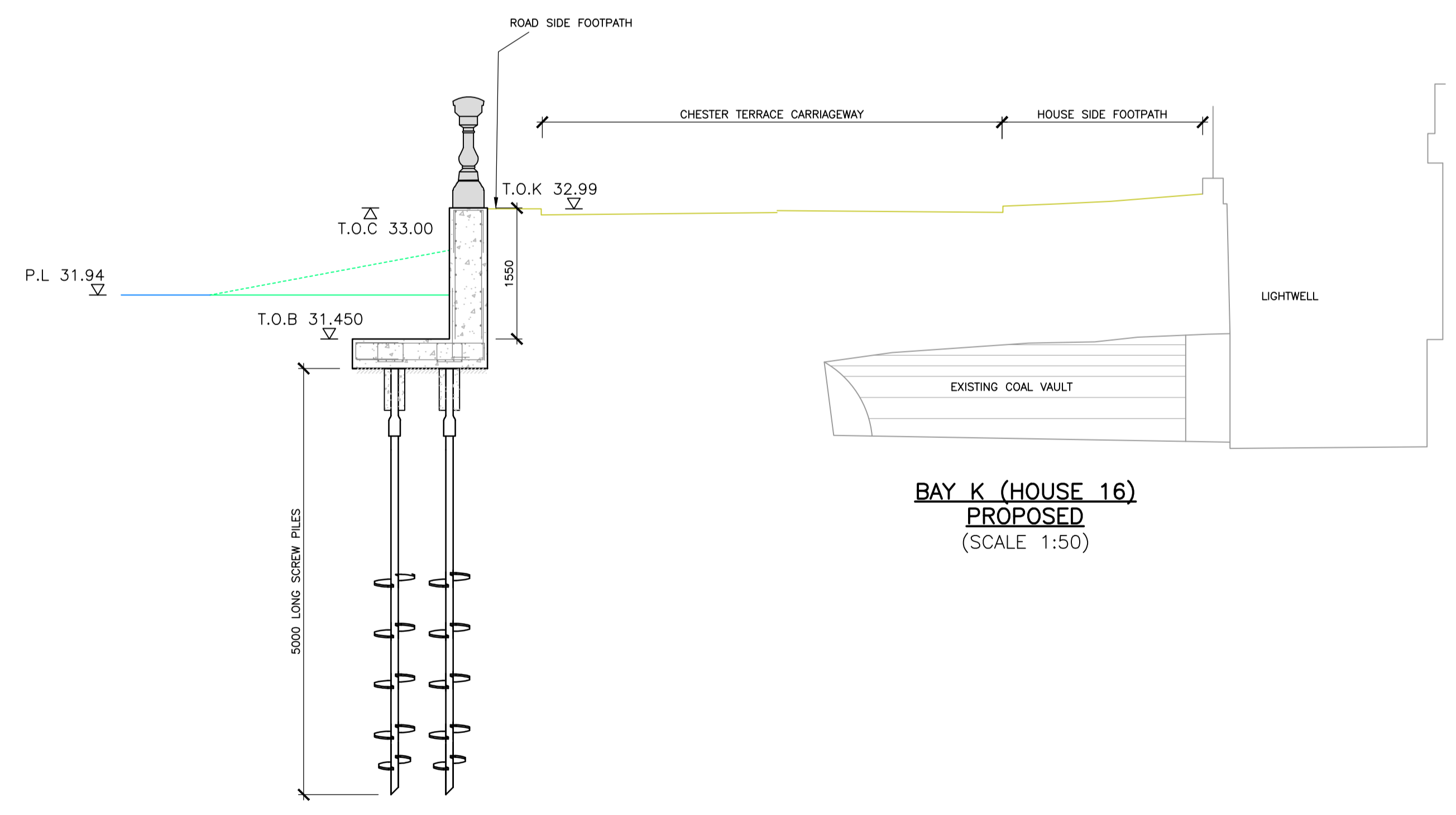
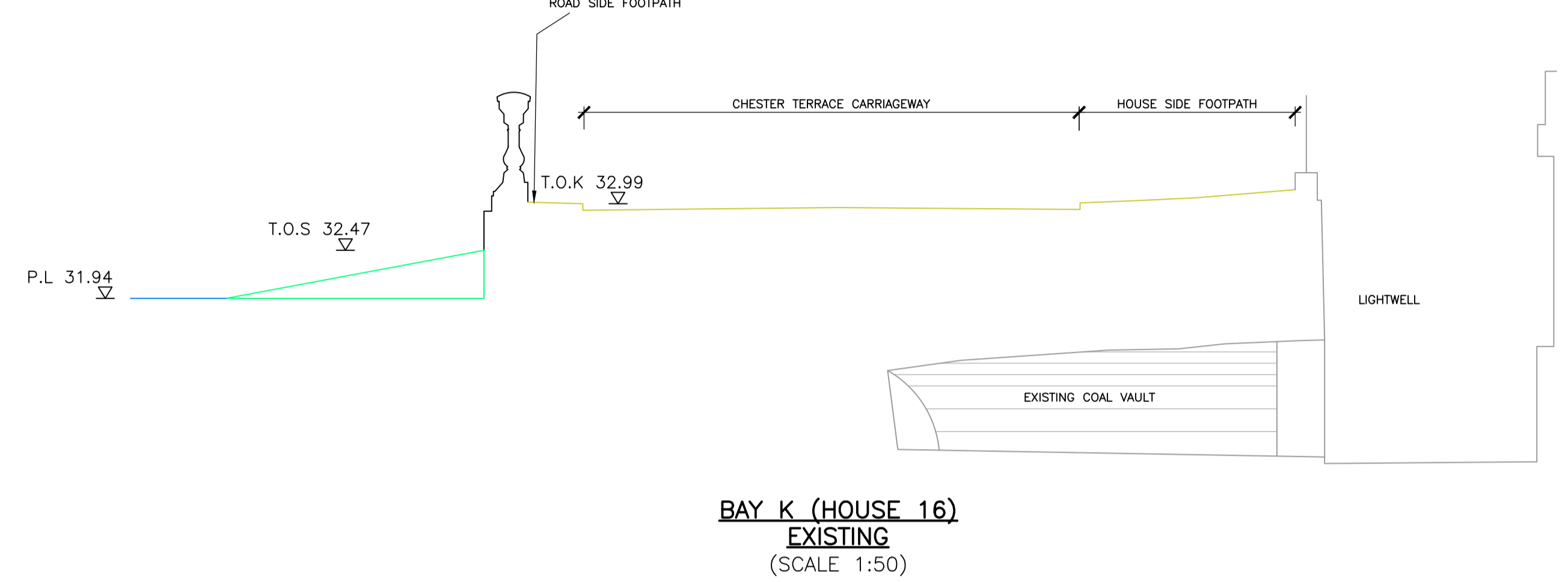
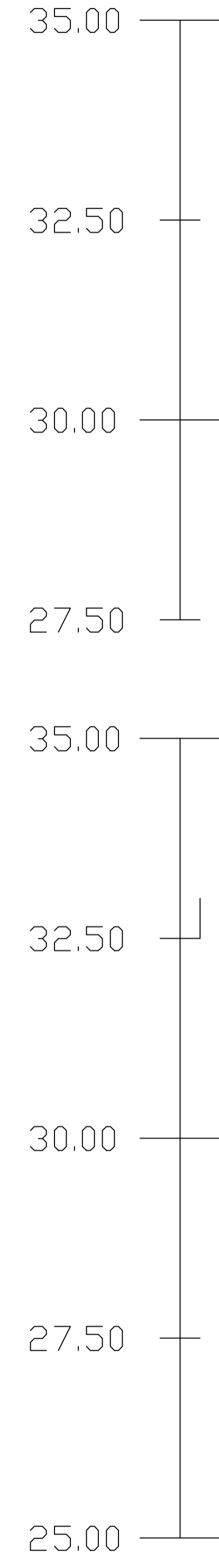
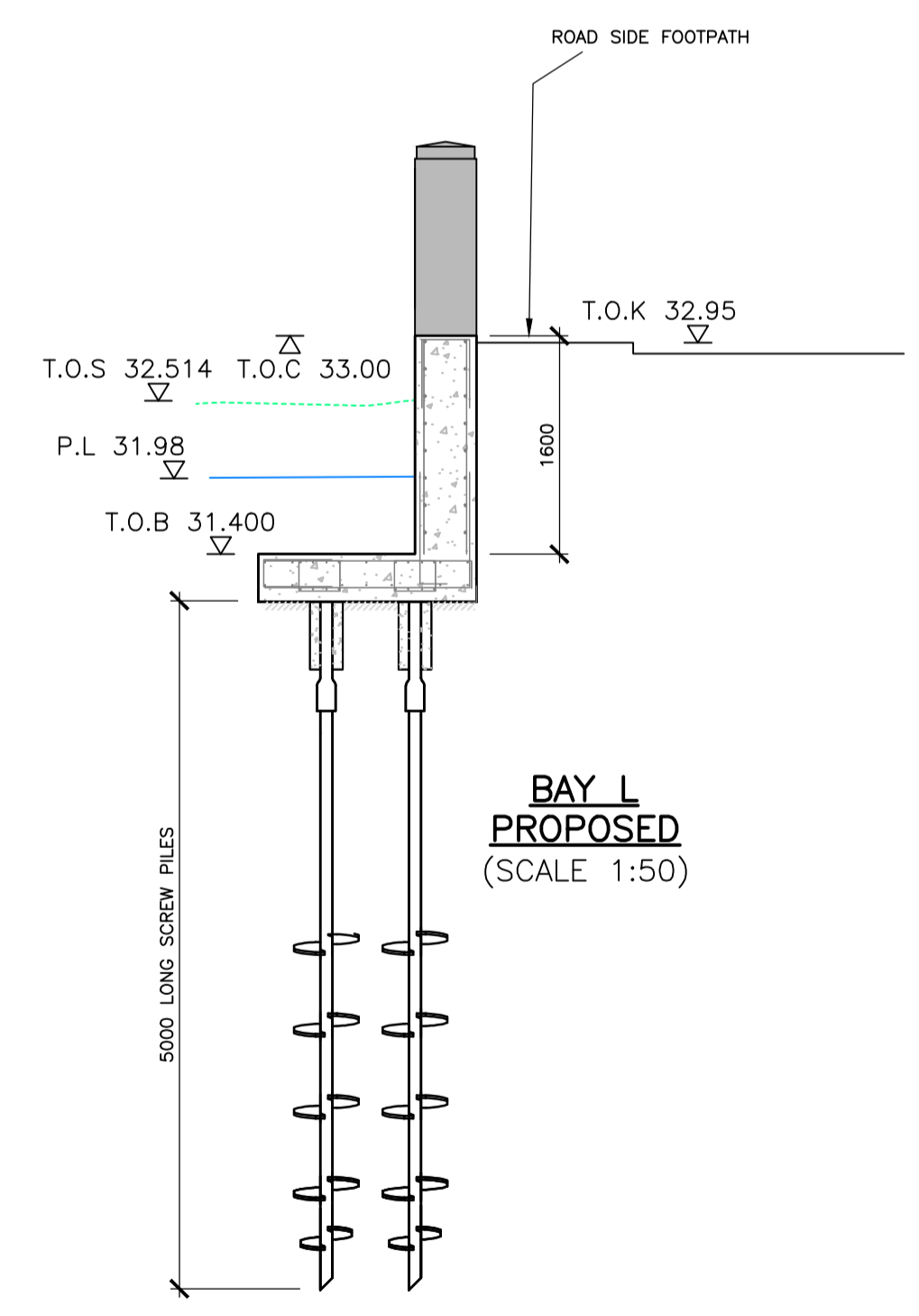
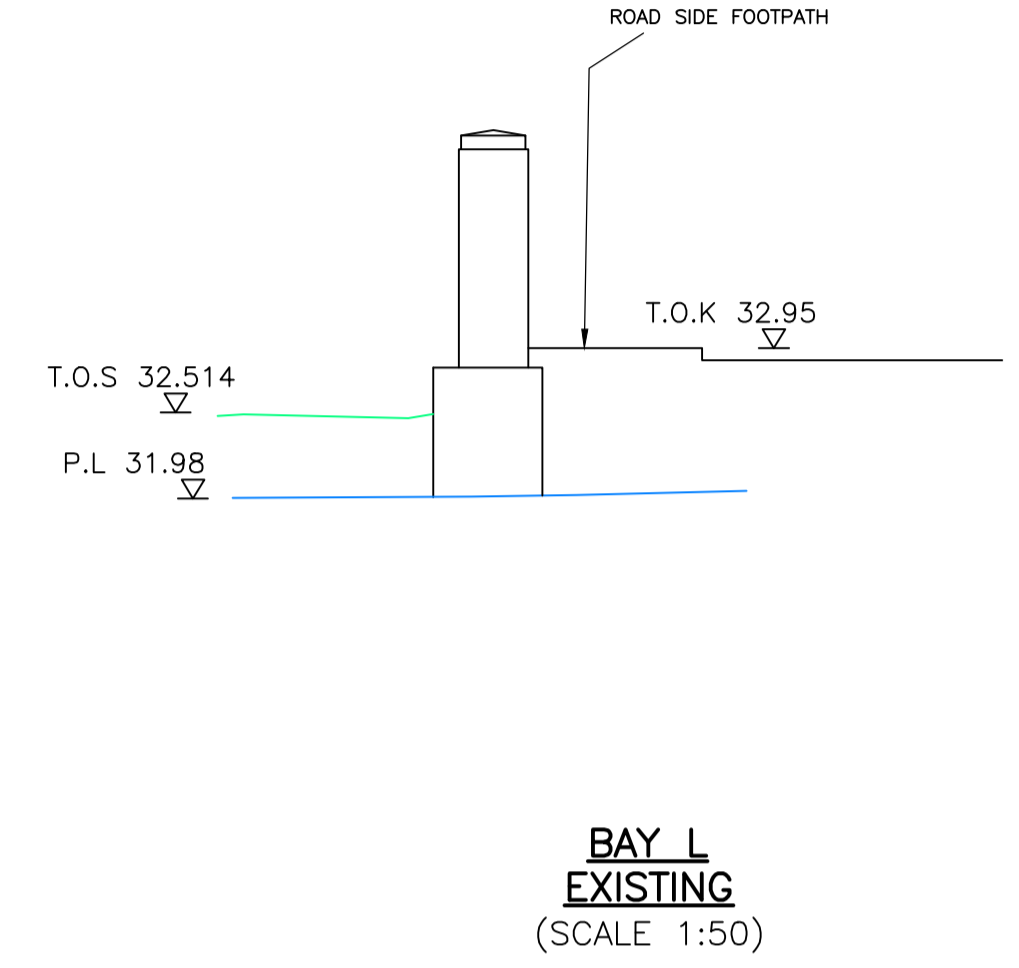
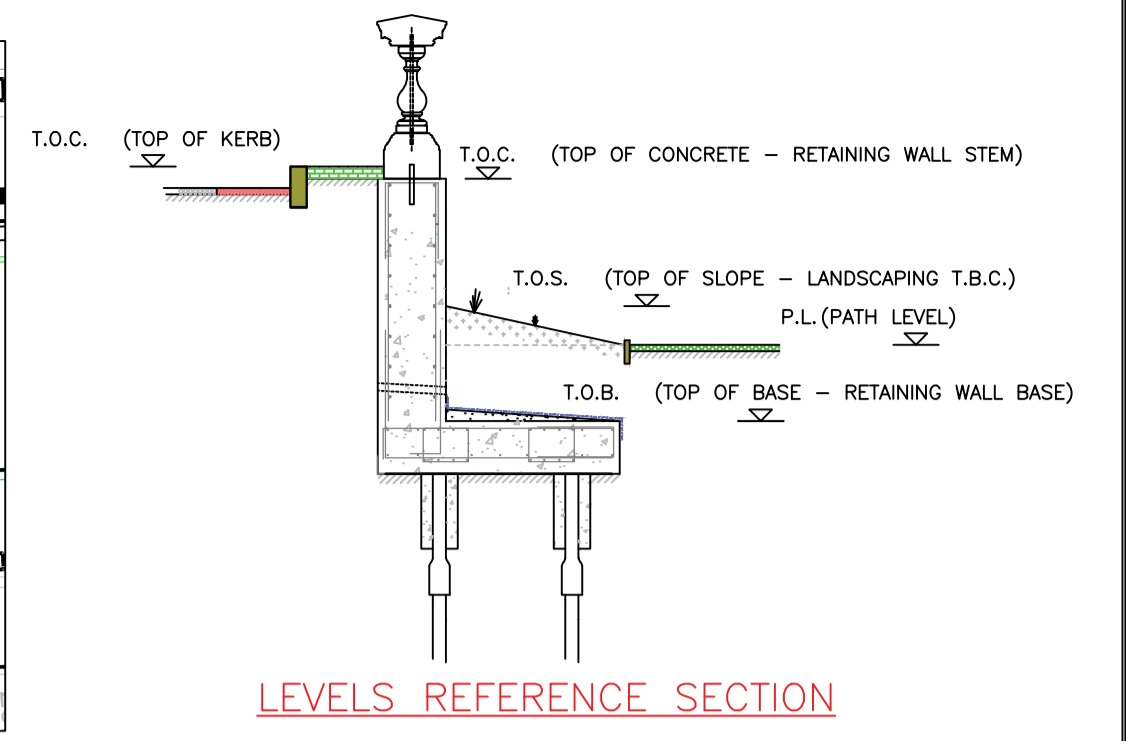
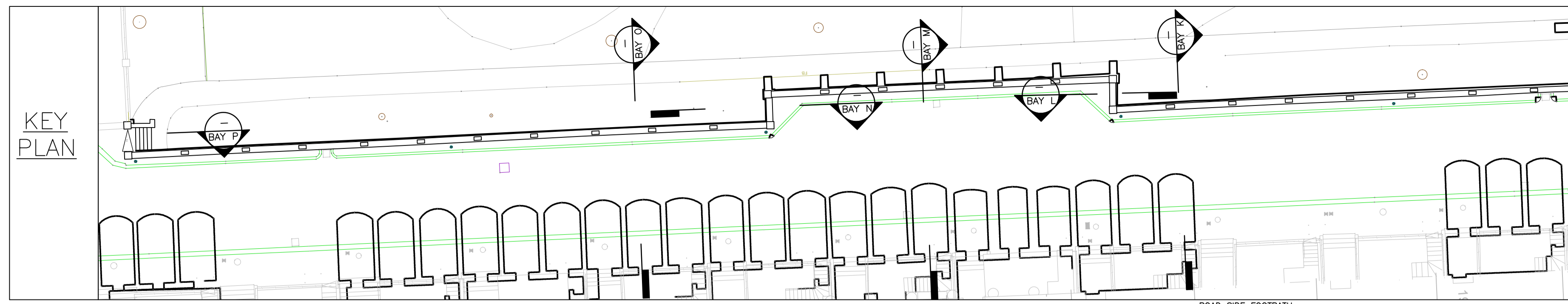
E-MAIL: enquiries@hurstpm.co.uk
WEB PAGE: www.hurstpm.co.uk

ARCHITECT			
CDM DETAILS (Refer to Note 2)		ENG	
Scale AT SHOWN AT A1			
Drawn DH	Checked JRH	Passed DMC	Date OCT 22

Project **CEPC CHESTER TERRACE BALUSTRADE**

Title **PROPOSED VS EXISTING SECTIONS SHEET 2 OF 8**

Drawing No. **24509-111 P1**



Status **PLANNING**

No	Revision	By	Ckd	Psd	Dte
P1	ISSUED FOR PLANNING	JRH	DMC		28 11 22

NOTES

- THIS DRAWING IS TO BE READ IN CONJUNCTION WITH ALL RELEVANT ARCHITECTS & ENGINEERS DRAWINGS, DETAILS AND SPECIFICATIONS.
- CDM DETAILS REFERS TO THE CONSTRUCTION (DESIGN AND MANAGEMENT) REGULATIONS. THE READER MUST REFER TO METHOD STATEMENTS OR RISK ASSESSMENTS AS APPROPRIATE, WHICH IDENTIFY UNUSUAL AND ABNORMAL RISKS THAT A COMPETENT CONTRACTOR COULD NOT BE EXPECTED TO ANTICIPATE.

Hurst Peirce + Malcolm LLP **HPM**
 CONSULTING CIVIL & STRUCTURAL ENGINEERS

Celtic House
 33 JOHN'S MEWS
 HOLBORN
 LONDON WC1N 2QL

TEL: 020 7242 3593
 FAX: 020 7405 5274

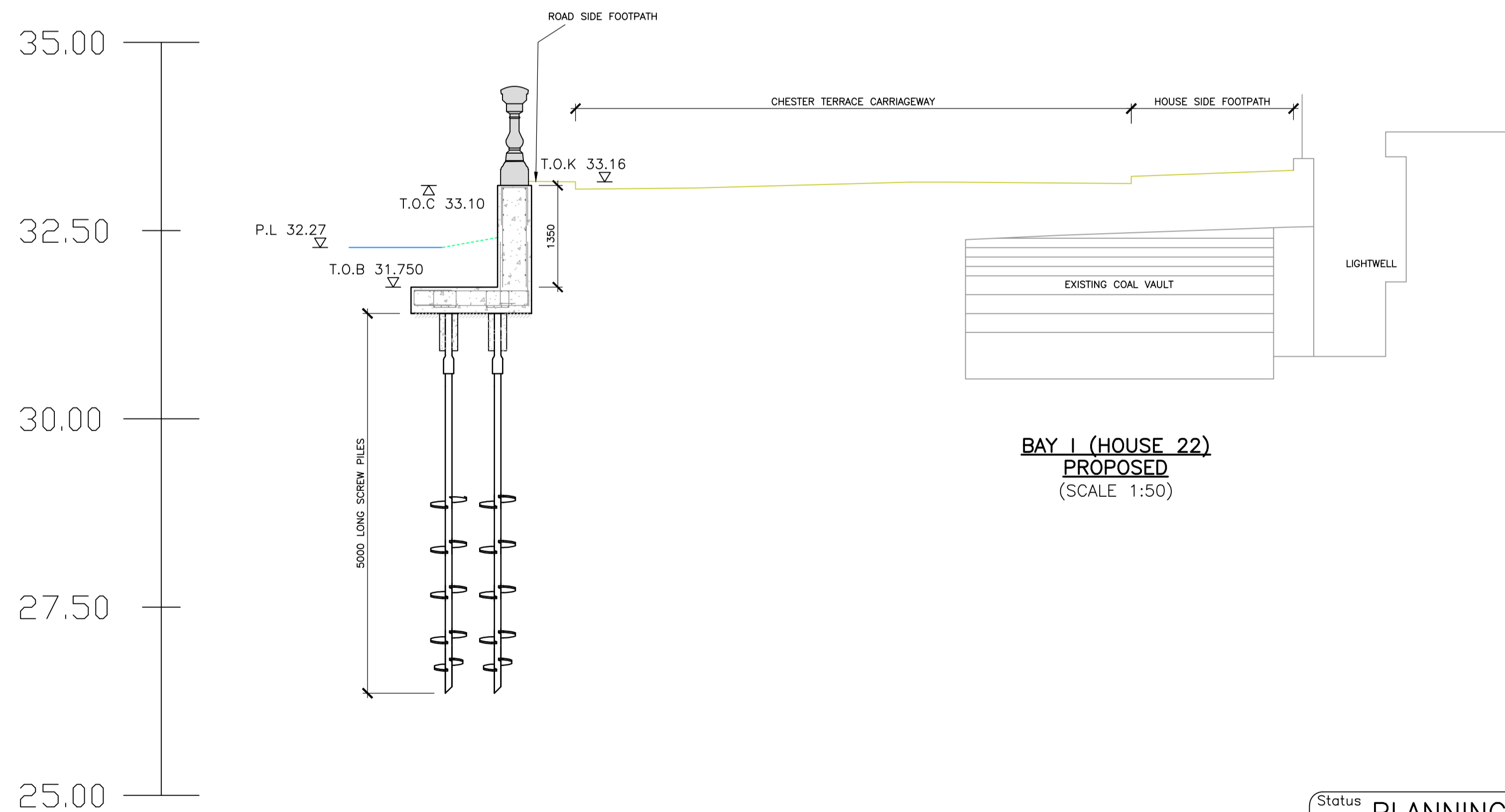
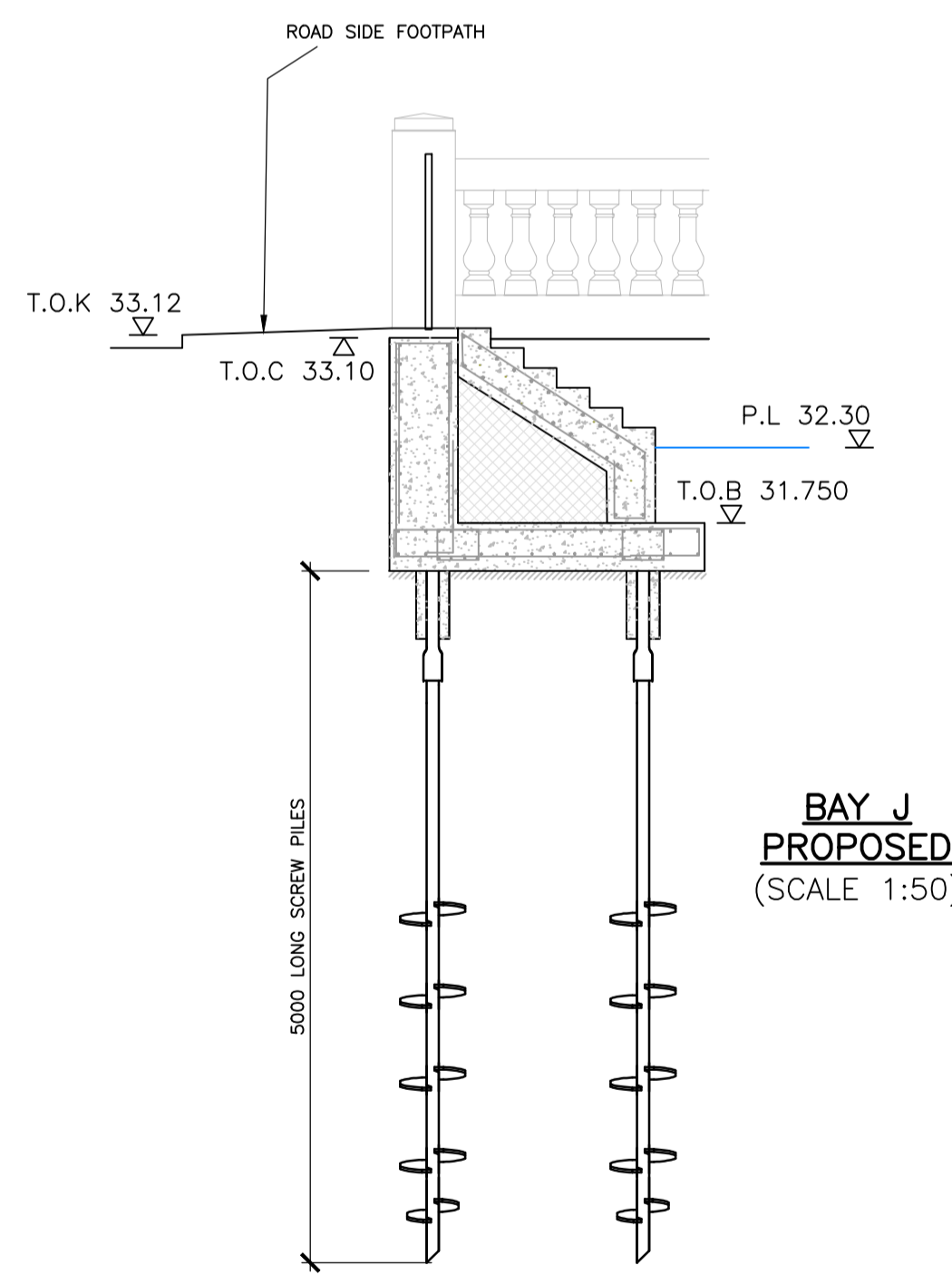
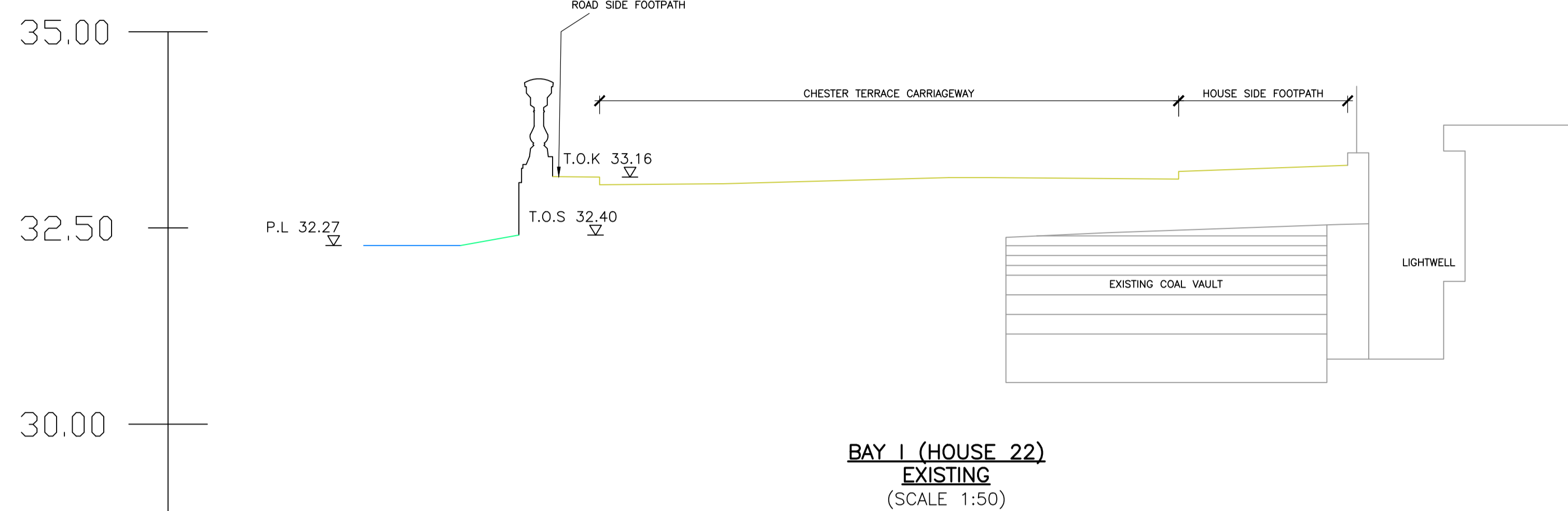
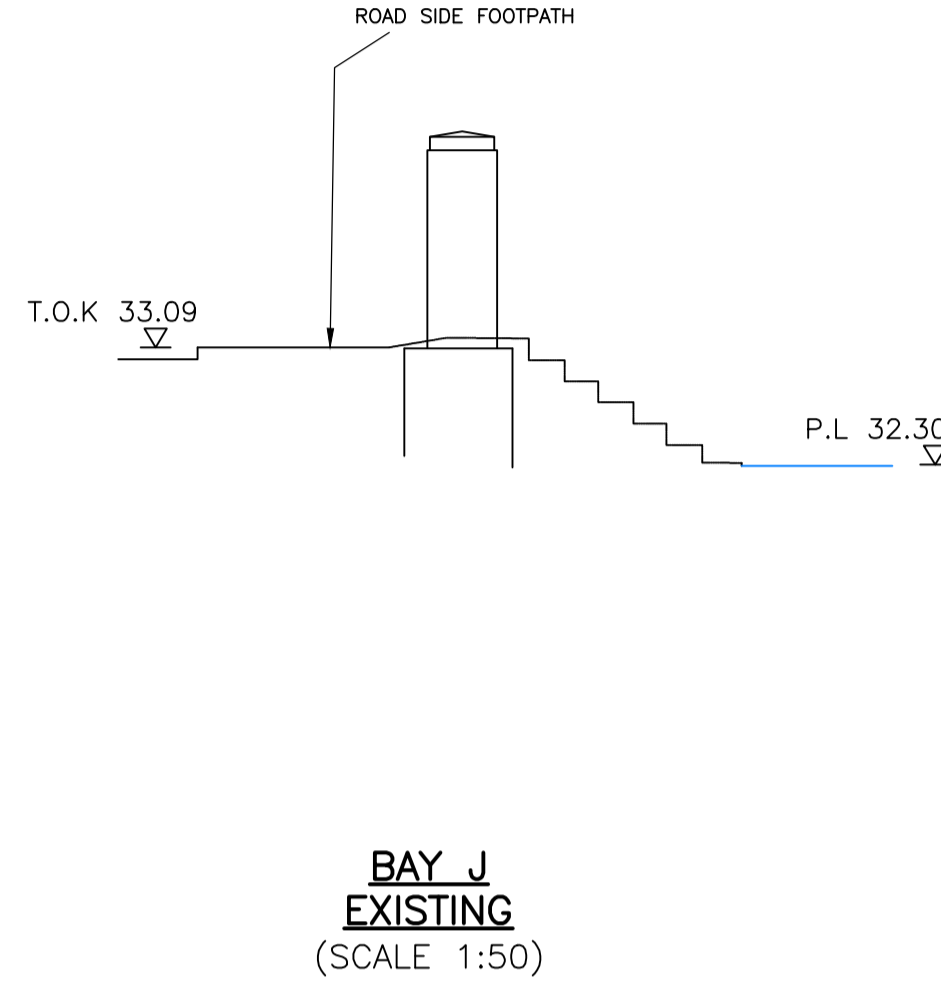
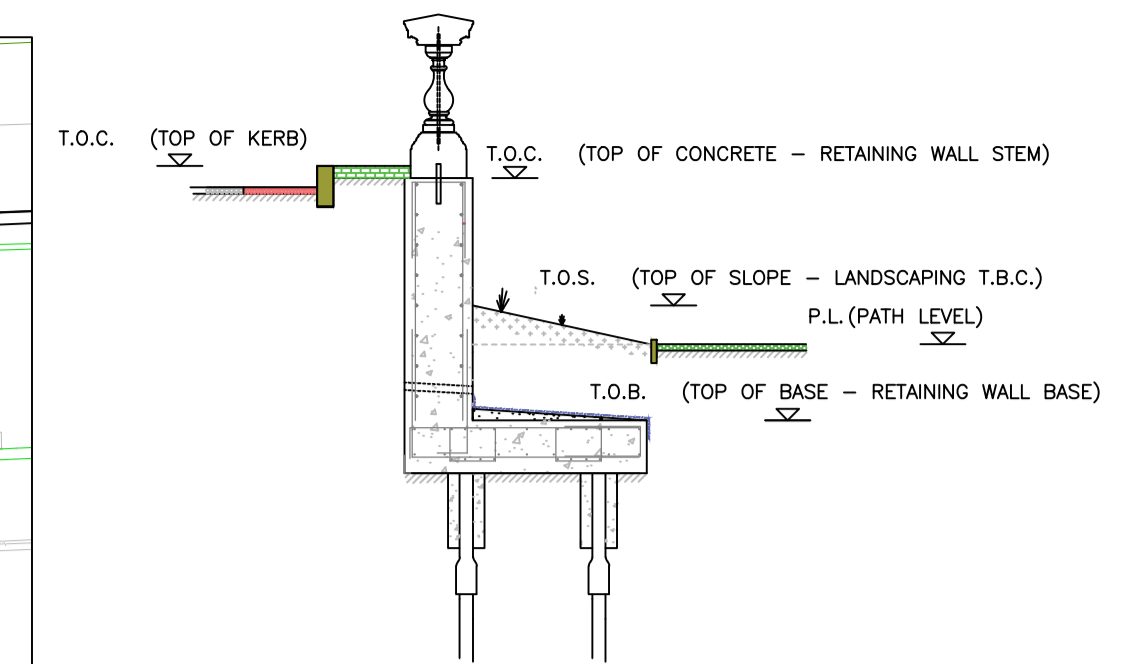
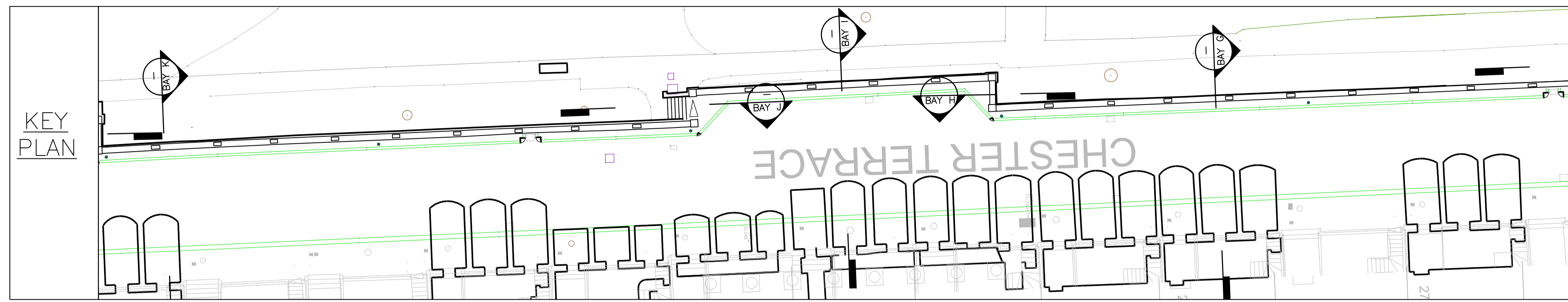
E-MAIL: enquiries@hurstpm.co.uk
 WEB PAGE: www.hurstpm.co.uk

ARCHITECT			
CDM DETAILS (Refer to Note 2)			ENG
Scale AT SHOWN AT A1			
Drawn DH	Checked JRH	Passed DMC	Date OCT 22

Project **CEPC CHESTER TERRACE BALUSTRADE**

Title **PROPOSED VS EXISTING SECTIONS SHEET 3 OF 8**

Drawing No. **24509-112 P1**



Status **PLANNING**

No	Revision	By	Ckd	Psd	Dte
P1	ISSUED FOR PLANNING	JRH	DMC		28 11 22

- NOTES**
- THIS DRAWING IS TO BE READ IN CONJUNCTION WITH ALL RELEVANT ARCHITECTS & ENGINEERS DRAWINGS, DETAILS AND SPECIFICATIONS.
 - CDM DETAILS REFERS TO THE CONSTRUCTION (DESIGN AND MANAGEMENT) REGULATIONS. THE READER MUST REFER TO METHOD STATEMENTS OR RISK ASSESSMENTS AS APPROPRIATE, WHICH IDENTIFY UNUSUAL AND ABNORMAL RISKS THAT A COMPETENT CONTRACTOR COULD NOT BE EXPECTED TO ANTICIPATE.

Hurst Peirce + Malcolm LLP **HPM**
CONSULTING CIVIL & STRUCTURAL ENGINEERS

CELTIC HOUSE
33 JOHN'S MEWS
HOLBORN
LONDON WC1N 2QL

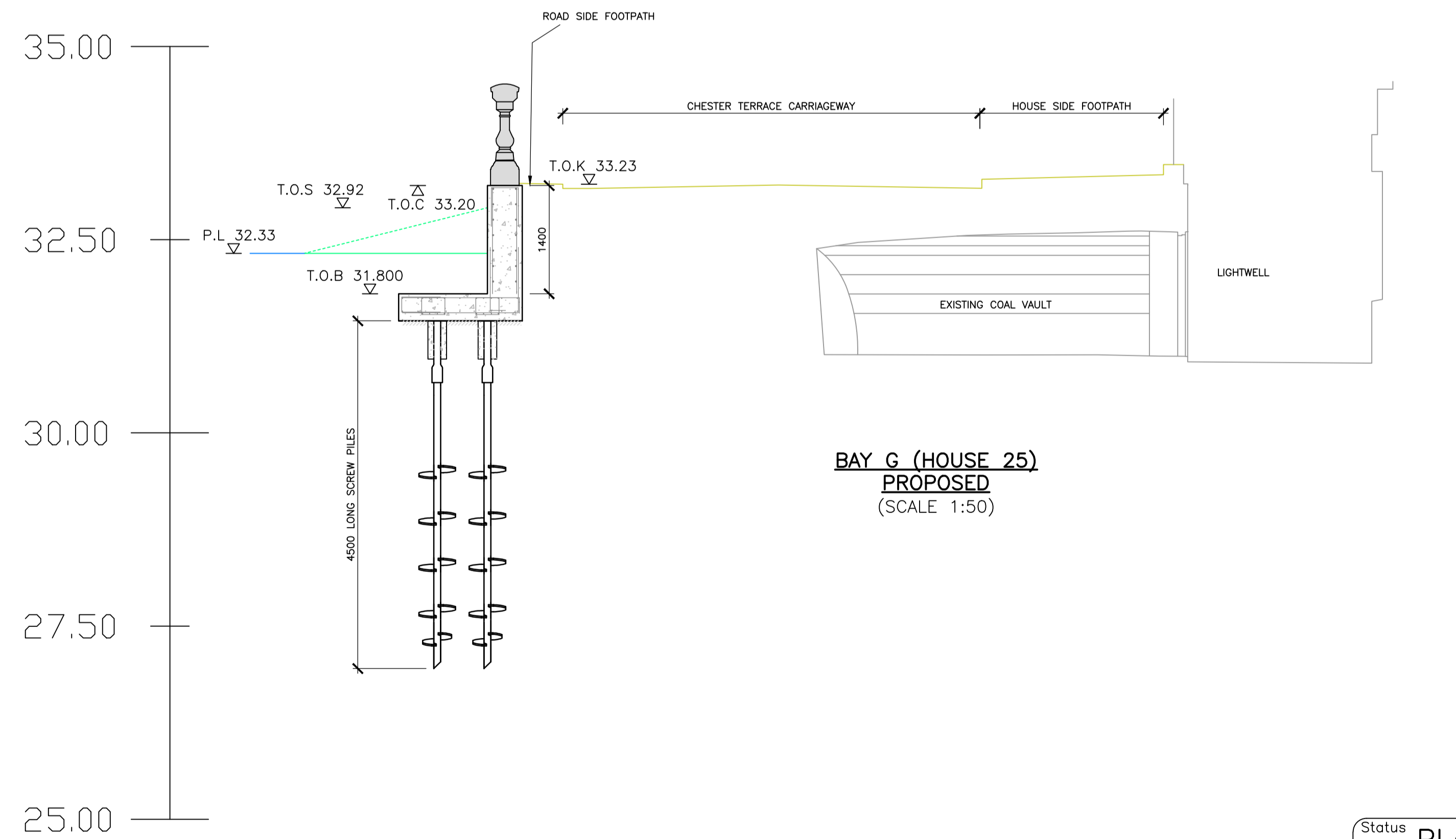
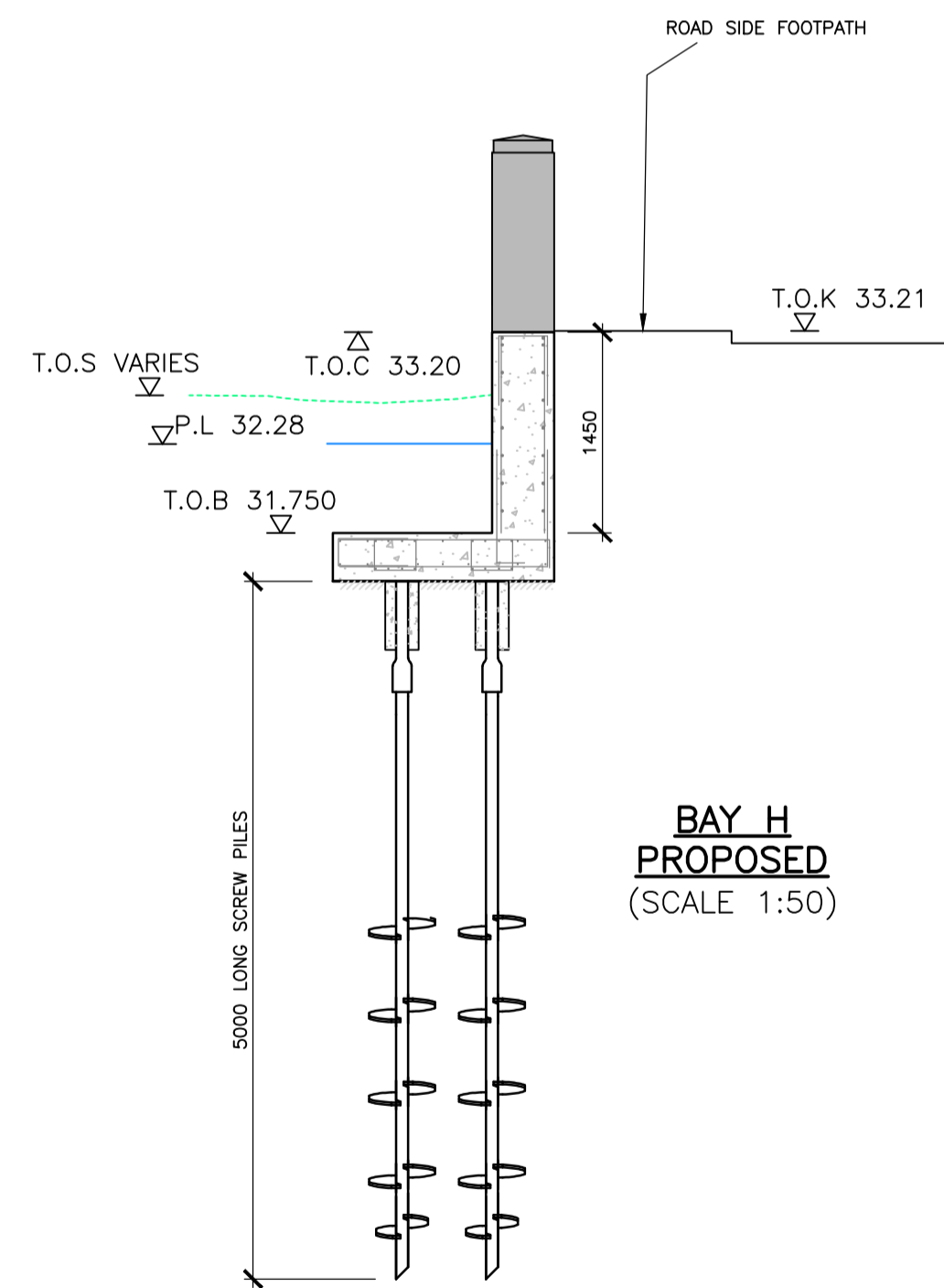
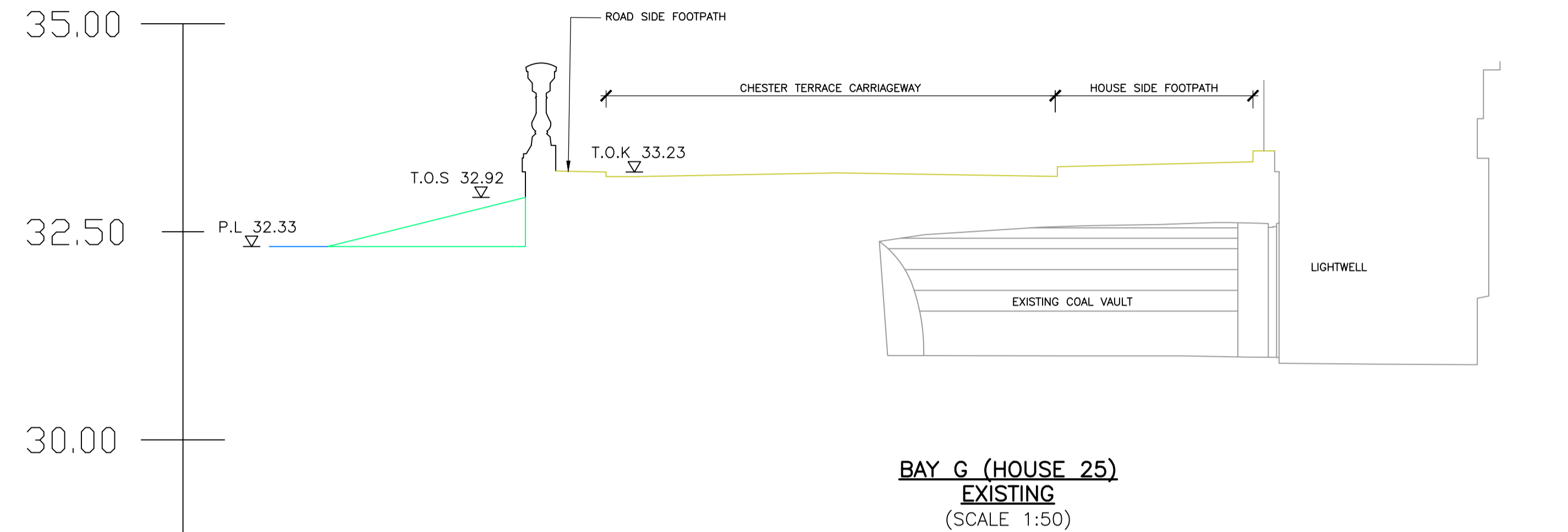
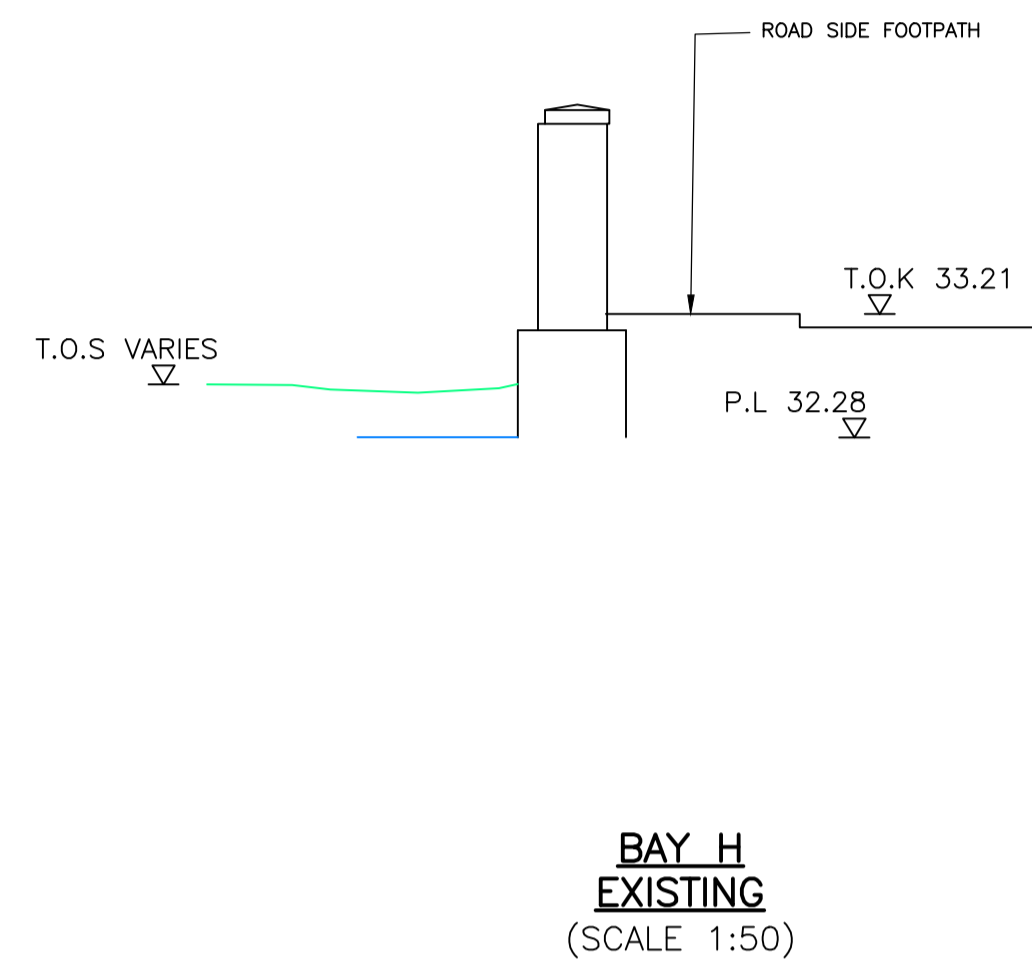
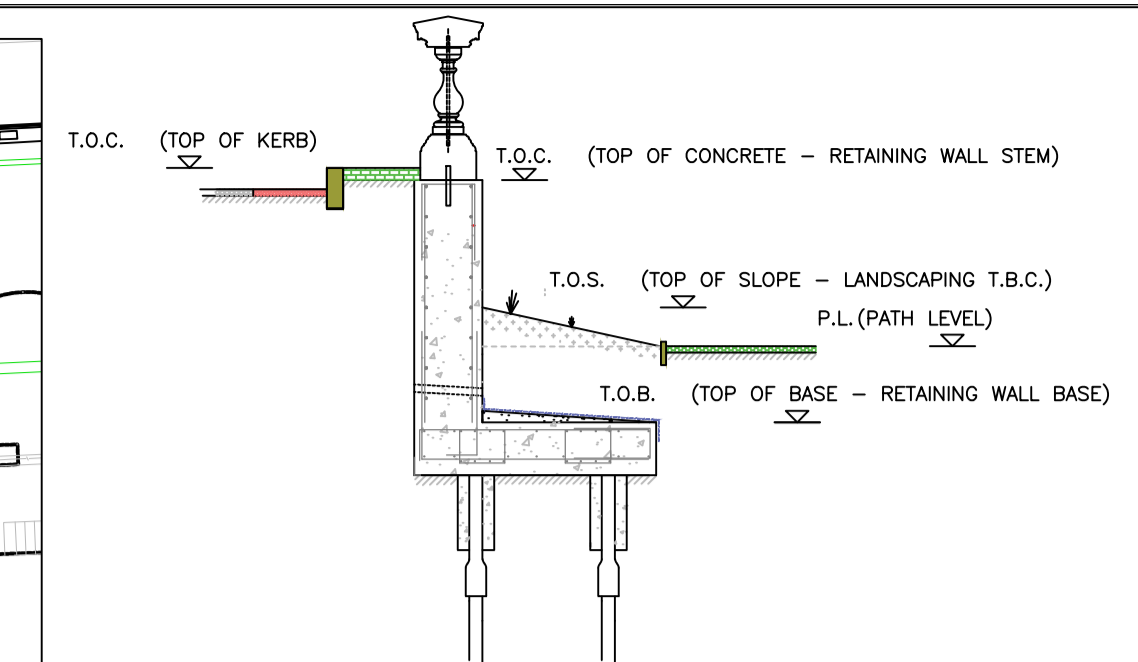
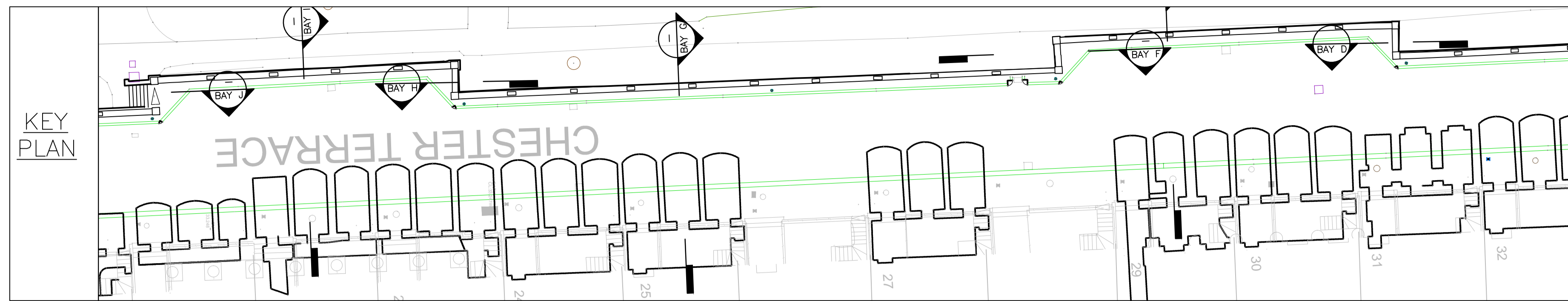
©
TEL: 020 7242 3593
FAX: 020 7405 5274

E-MAIL:
enquiries@hurstpm.co.uk

WEB PAGE
www.hurstpm.co.uk

ARCHITECT			
CDM DETAILS (Refer to Note 2)		ENG	
Scale AT SHOWN AT A1			
Drawn DH	Checked JRH	Passed DMC	Date OCT 22

Project	CEPC CHESTER TERRACE BALUSTRADE
Title	PROPOSED VS EXISTING SECTIONS SHEET 4 OF 8
Drawing No.	24509-113 P1



Status **PLANNING**

No	Revision	By	Ckd	Psd	Dte
P1	ISSUED FOR PLANNING	JRH	DMC		28 11 22

NOTES

- THIS DRAWING IS TO BE READ IN CONJUNCTION WITH ALL RELEVANT ARCHITECTS & ENGINEERS DRAWINGS, DETAILS AND SPECIFICATIONS.
- CDM DETAILS REFERS TO THE CONSTRUCTION (DESIGN AND MANAGEMENT) REGULATIONS. THE READER MUST REFER TO METHOD STATEMENTS OR RISK ASSESSMENTS AS APPROPRIATE, WHICH IDENTIFY UNUSUAL AND ABNORMAL RISKS THAT A COMPETENT CONTRACTOR COULD NOT BE EXPECTED TO ANTICIPATE.

Hurst Peirce + Malcolm LLP **HPM**
CONSULTING CIVIL & STRUCTURAL ENGINEERS

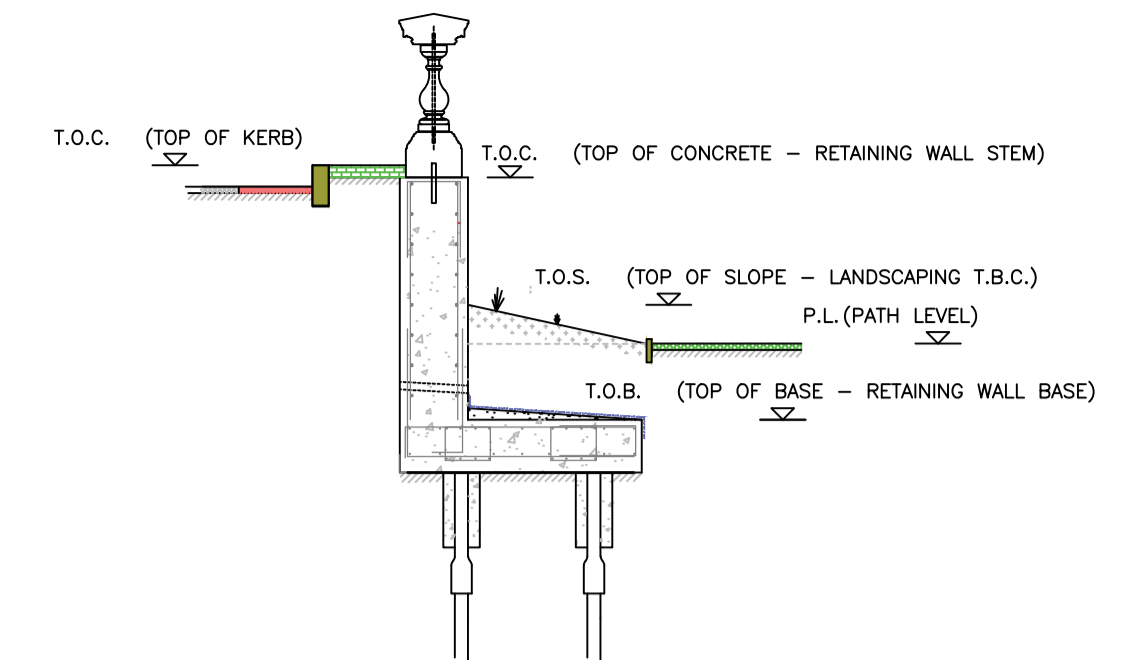
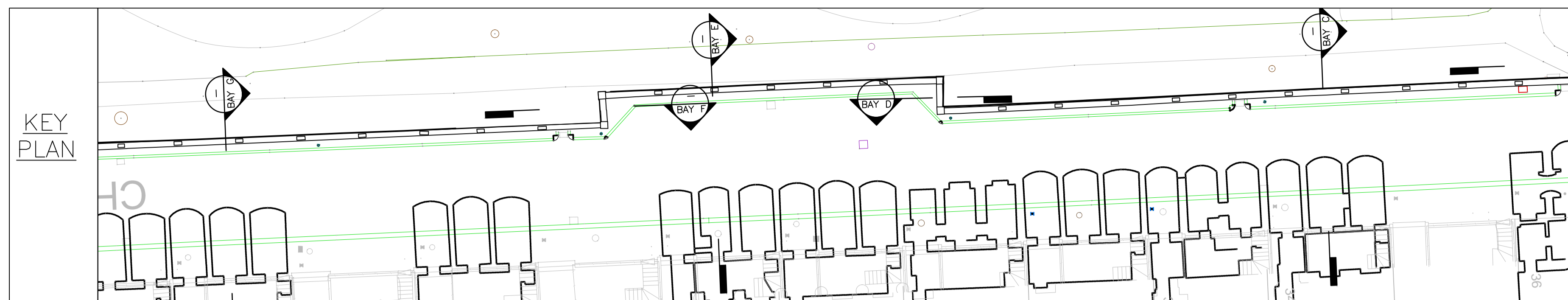
Celtic House
33 JOHN'S MEWS
HOLBORN
LONDON WC1N 2QL

©
TEL: 020 7242 3593
FAX: 020 7405 5274

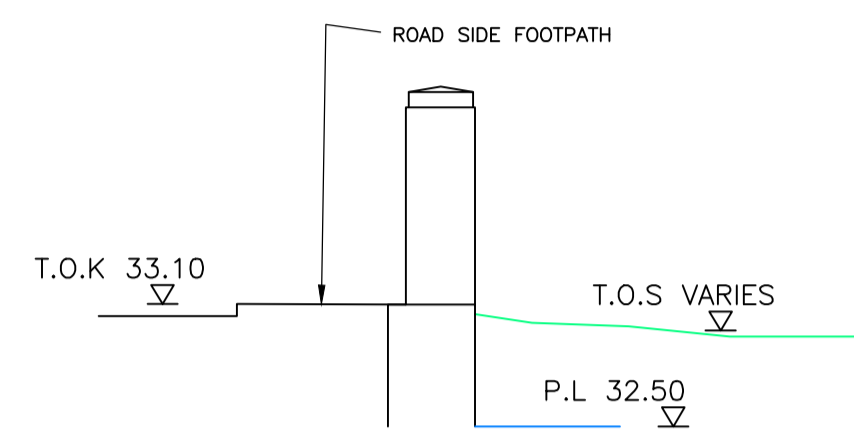
E-MAIL: enquiries@hurstpm.co.uk
WEB PAGE: www.hurstpm.co.uk

ARCHITECT			
CDM DETAILS (Refer to Note 2)			ENG
Scale AT SHOWN AT A1			
Drawn DH	Checked JRH	Passed DMC	Date OCT 22

Project	CEPC CHESTER TERRACE BALUSTRADE
Title	PROPOSED VS EXISTING SECTIONS SHEET 5 OF 8
Drawing No.	24509-114 P1



LEVELS REFERENCE SECTION



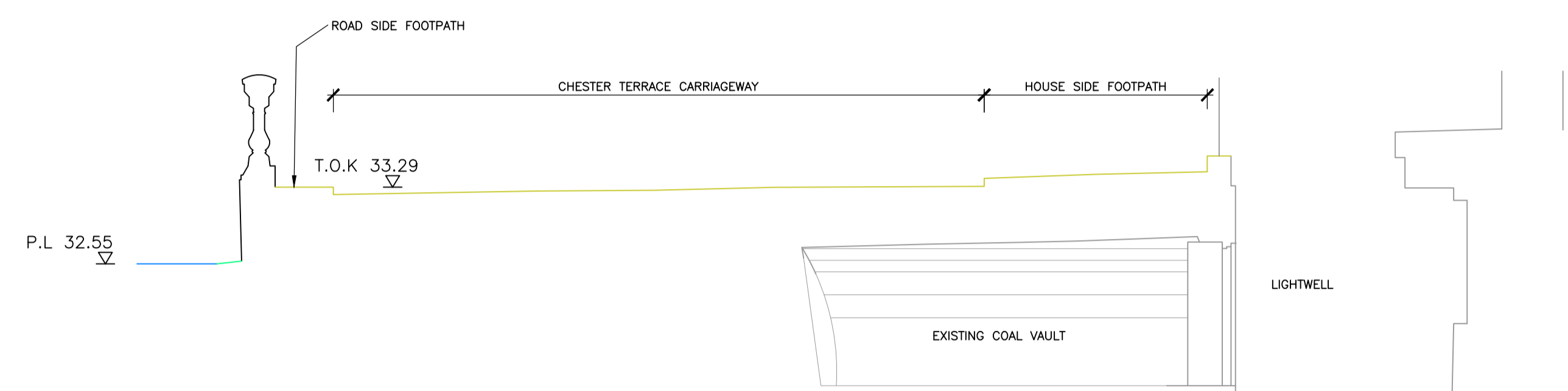
BAY F EXISTING
(SCALE 1:50)

35.00

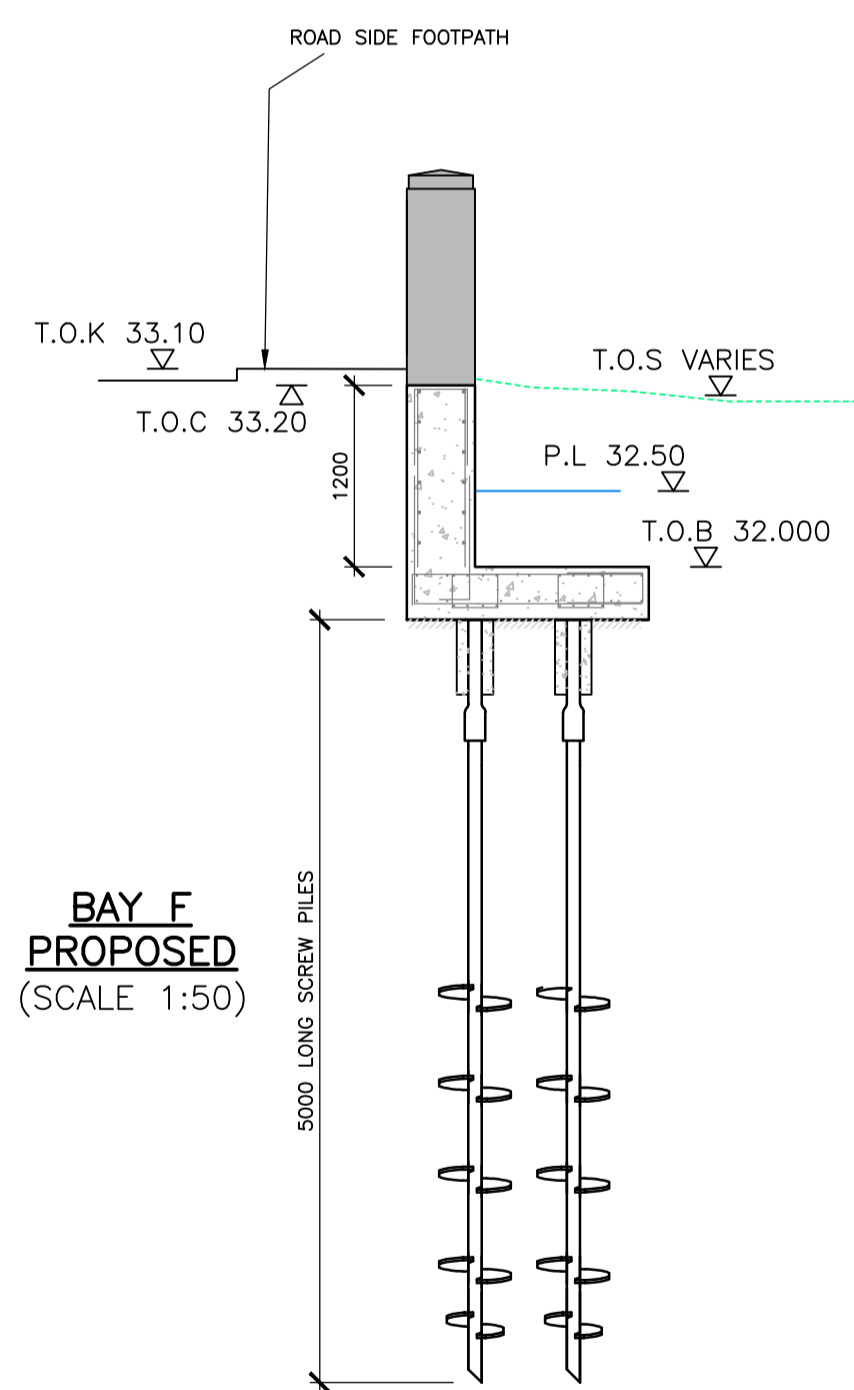
32.50

30.00

27.50



BAY E (HOUSE 29) EXISTING
(SCALE 1:50)



BAY F PROPOSED
(SCALE 1:50)

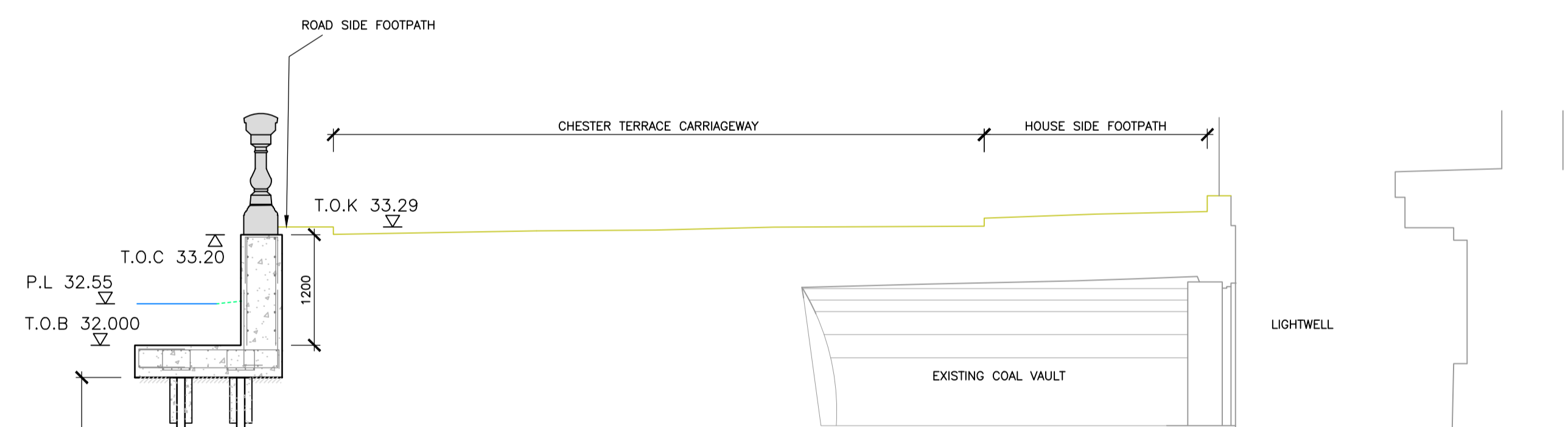
35.00

32.50

30.00

27.50

25.00



BAY E (HOUSE 29) PROPOSED
(SCALE 1:50)

Status **PLANNING**

No	Revision	By	Ckd	Psd	Dte
P1	ISSUED FOR PLANNING	JRH	DMC		28 11 22

NOTES

- THIS DRAWING IS TO BE READ IN CONJUNCTION WITH ALL RELEVANT ARCHITECTS & ENGINEERS DRAWINGS, DETAILS AND SPECIFICATIONS.
- CDM DETAILS REFERS TO THE CONSTRUCTION (DESIGN AND MANAGEMENT) REGULATIONS. THE READER MUST REFER TO METHOD STATEMENTS OR RISK ASSESSMENTS AS APPROPRIATE, WHICH IDENTIFY UNUSUAL AND ABNORMAL RISKS THAT A COMPETENT CONTRACTOR COULD NOT BE EXPECTED TO ANTICIPATE.

Hurst Peirce + Malcolm LLP **HPM**
CONSULTING CIVIL & STRUCTURAL ENGINEERS

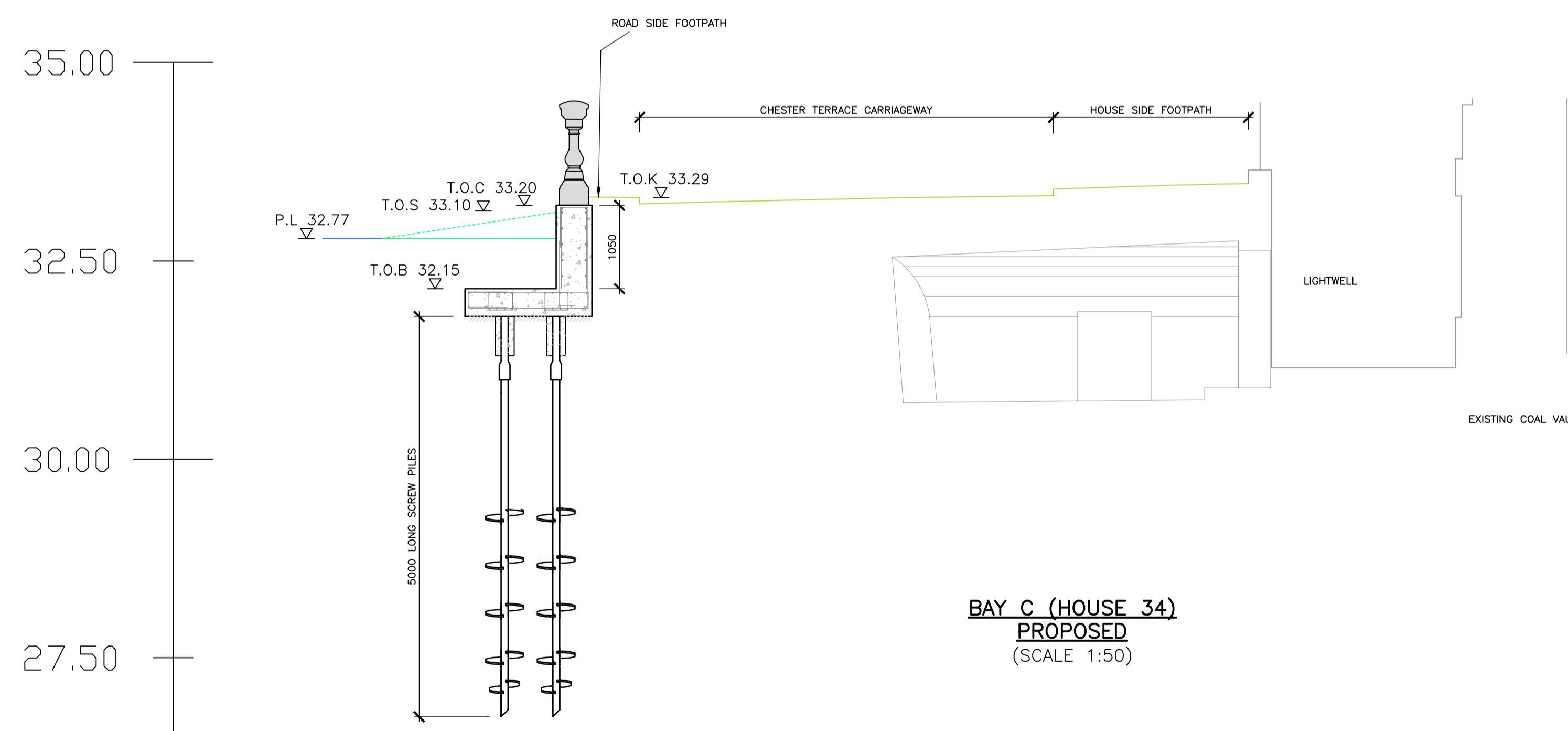
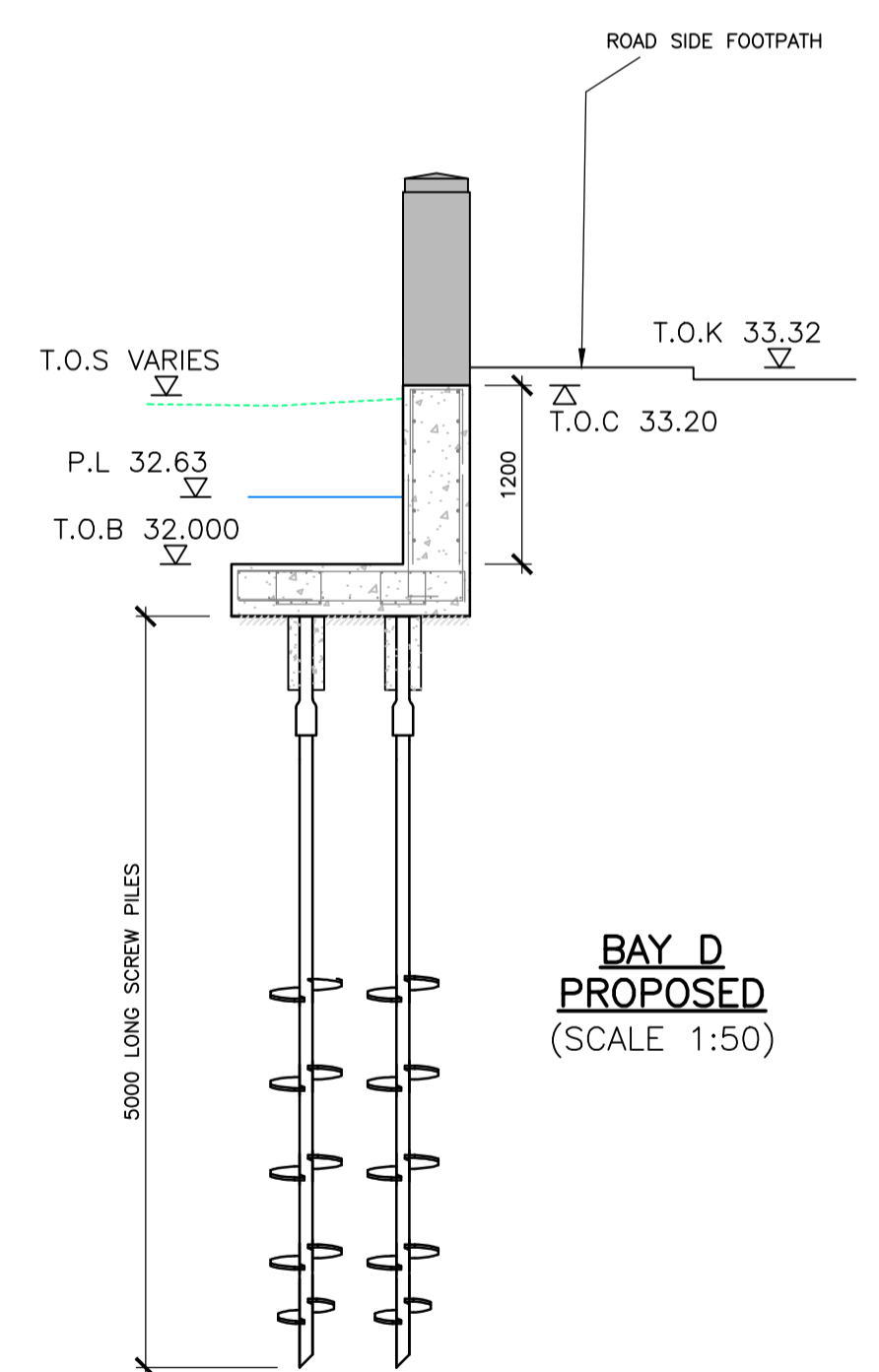
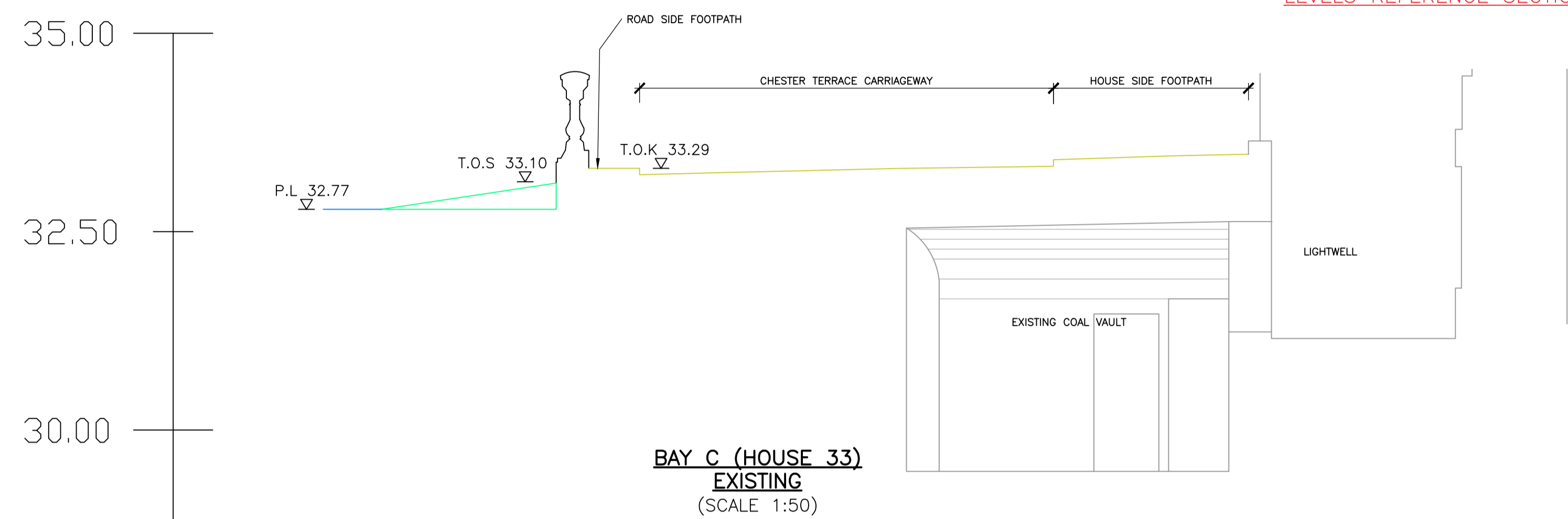
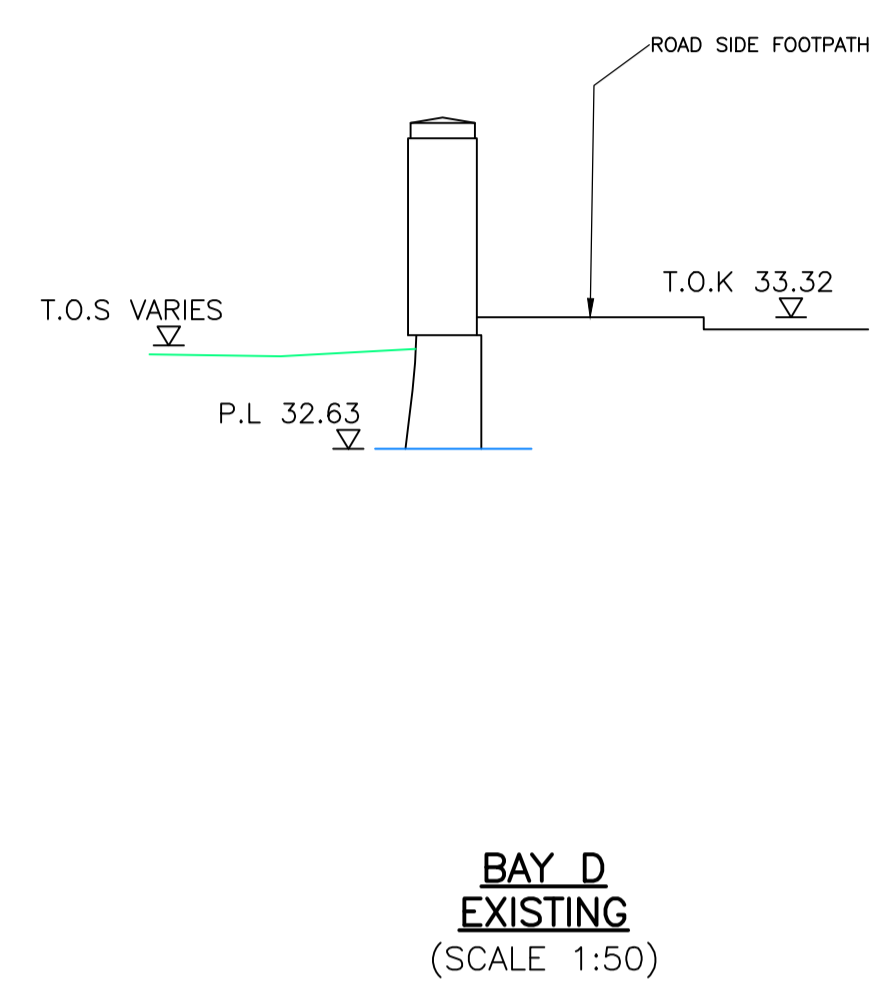
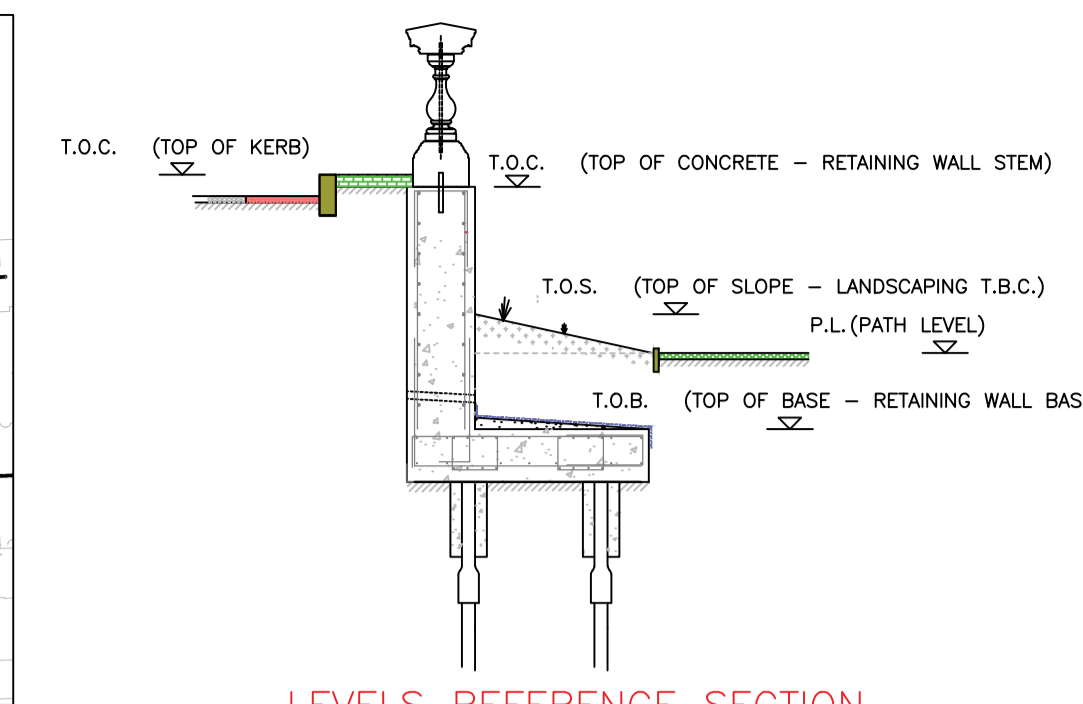
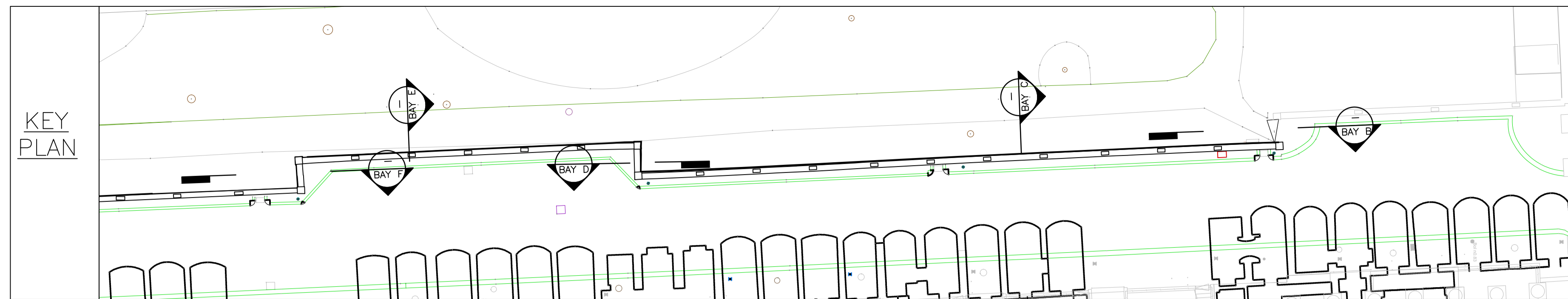
CELTIC HOUSE
33 JOHN'S MEWS
HOLBORN
LONDON WC1N 2QL

©
TEL: 020 7242 3593
FAX: 020 7405 5274

E-MAIL: enquiries@hurstpm.co.uk
WEB PAGE: www.hurstpm.co.uk

ARCHITECT			
CDM DETAILS (Refer to Note 2)		ENG	
Scale AT SHOWN AT A1			
Drawn DH	Checked JRH	Passed DMC	Date OCT 22

Project	CEPC CHESTER TERRACE BALUSTRADE
Title	PROPOSED VS EXISTING SECTIONS SHEET 6 OF 8
Drawing No.	24509-115 P1



Status **PLANNING**

No	Revision	By	Ckd	Psd	Dte
P1	ISSUED FOR PLANNING	JRH	DMC		28 11 22

NOTES

- THIS DRAWING IS TO BE READ IN CONJUNCTION WITH ALL RELEVANT ARCHITECTS & ENGINEERS DRAWINGS, DETAILS AND SPECIFICATIONS.
- CDM DETAILS REFERS TO THE CONSTRUCTION (DESIGN AND MANAGEMENT) REGULATIONS. THE READER MUST REFER TO METHOD STATEMENTS OR RISK ASSESSMENTS AS APPROPRIATE, WHICH IDENTIFY UNUSUAL AND ABNORMAL RISKS THAT A COMPETENT CONTRACTOR COULD NOT BE EXPECTED TO ANTICIPATE.

Hurst Peirce + Malcolm LLP **HPM**
CONSULTING CIVIL & STRUCTURAL ENGINEERS

Celtic House
33 JOHN'S MEWS
HOLBORN
LONDON WC1N 2QL

TEL: 020 7242 3593
FAX: 020 7405 5274

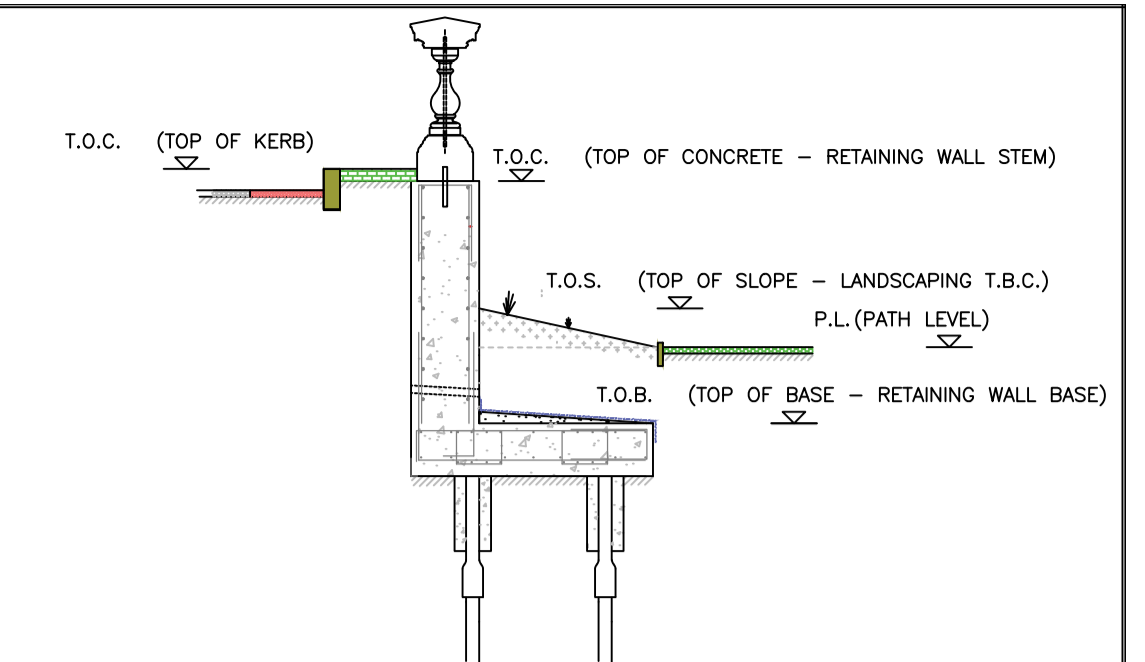
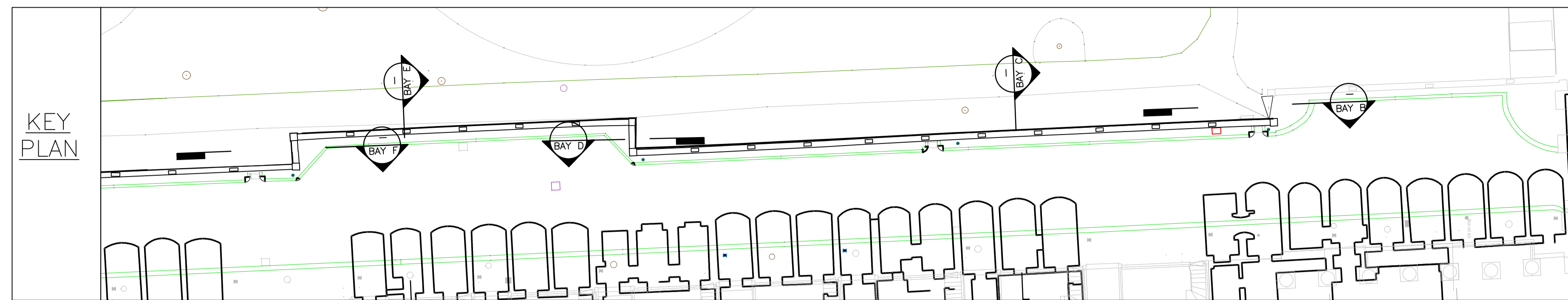
E-MAIL: enquiries@hurstpm.co.uk
WEB PAGE: www.hurstpm.co.uk

ARCHITECT			
CDM DETAILS (Refer to Note 2)		ENG	
Scale AT SHOWN AT A1			
Drawn DH	Checked JRH	Passed DMC	Date OCT 22

Project **CEPC CHESTER TERRACE BALUSTRADE**

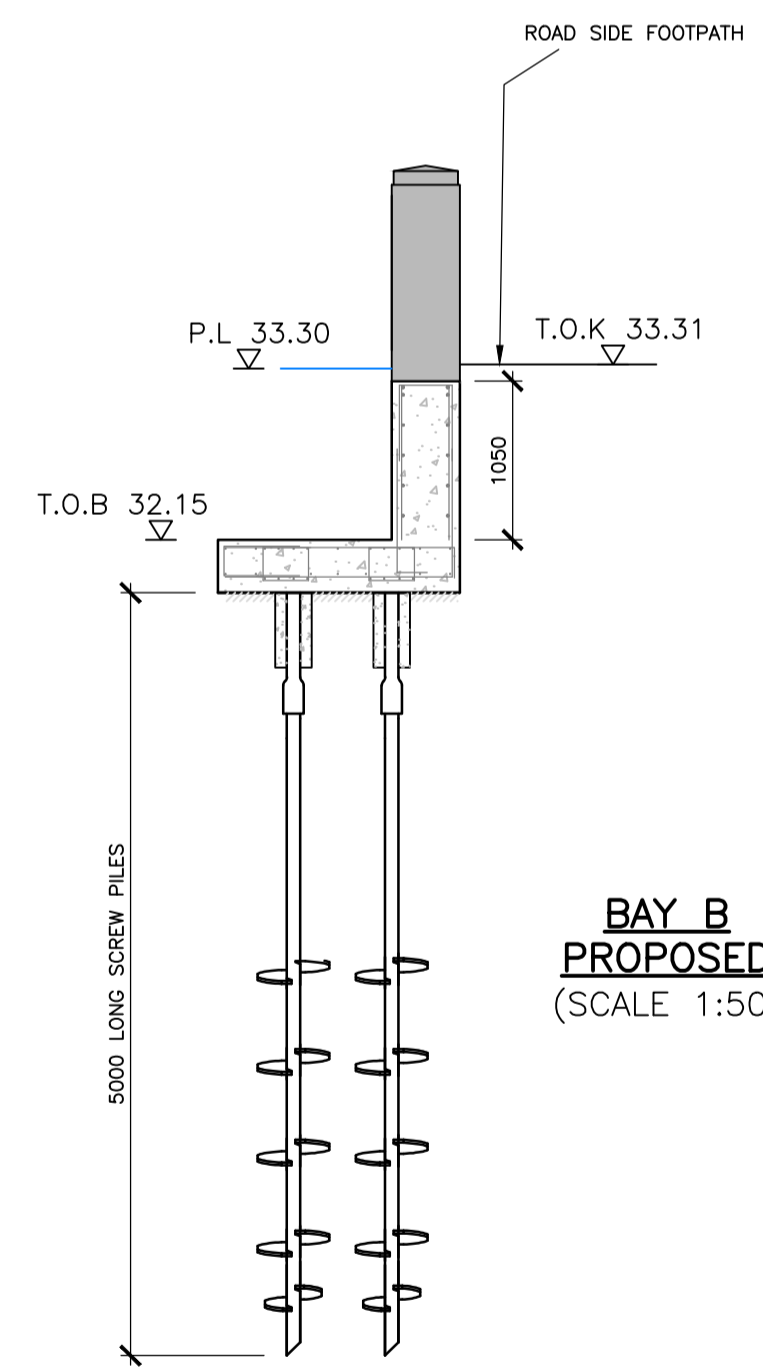
Title **PROPOSED VS EXISTING SECTIONS SHEET 7 OF 8**

Drawing No. **24509-116 P1**

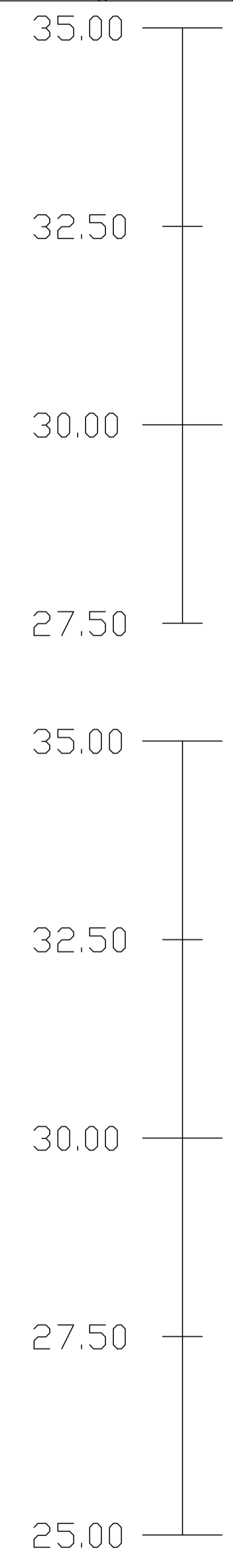


LEVELS REFERENCE SECTION

BAY B EXISTING
(SCALE 1:50)



BAY B PROPOSED
(SCALE 1:50)



Status **PLANNING**

No	Revision	By	Ckd	Psd	Dte
P1	ISSUED FOR PLANNING	JRH	DMC		28 11 22

NOTES

- THIS DRAWING IS TO BE READ IN CONJUNCTION WITH ALL RELEVANT ARCHITECTS & ENGINEERS DRAWINGS, DETAILS AND SPECIFICATIONS.
- CDM DETAILS REFERS TO THE CONSTRUCTION (DESIGN AND MANAGEMENT) REGULATIONS. THE READER MUST REFER TO METHOD STATEMENTS OR RISK ASSESSMENTS AS APPROPRIATE, WHICH IDENTIFY UNUSUAL AND ABNORMAL RISKS THAT A COMPETENT CONTRACTOR COULD NOT BE EXPECTED TO ANTICIPATE.

Hurst Peirce + Malcolm LLP **HPM**
CONSULTING CIVIL & STRUCTURAL ENGINEERS

CELTIC HOUSE
33 JOHN'S MEWS
HOLBORN
LONDON WC1N 2QL

©
TEL: 020 7242 3593
FAX: 020 7405 5274

E-MAIL: enquiries@hurstpm.co.uk
WEB PAGE: www.hurstpm.co.uk

ARCHITECT			
CDM DETAILS (Refer to Note 2)			ENG
Scale AT SHOWN AT A1			
Drawn DH	Checked JRH	Passed DMC	Date OCT 22

Project **CEPC CHESTER TERRACE BALUSTRADE**

Title **PROPOSED VS EXISTING SECTIONS SHEET 8 OF 8**

Drawing No. **24509-117 P1**