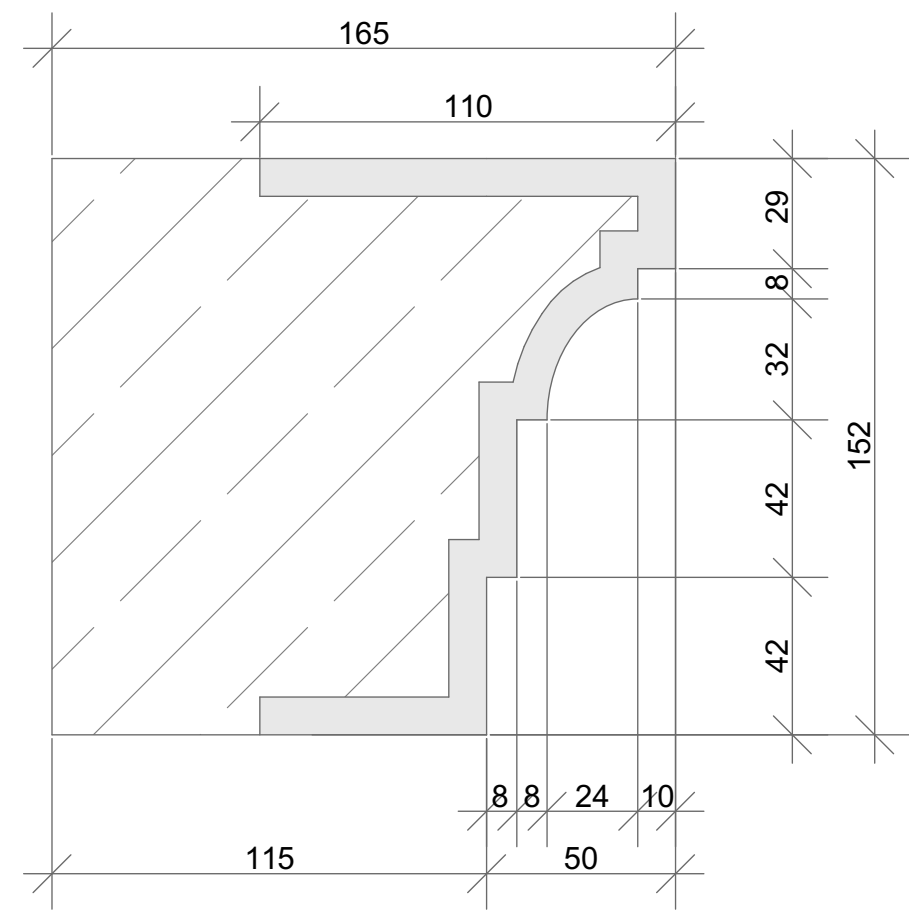
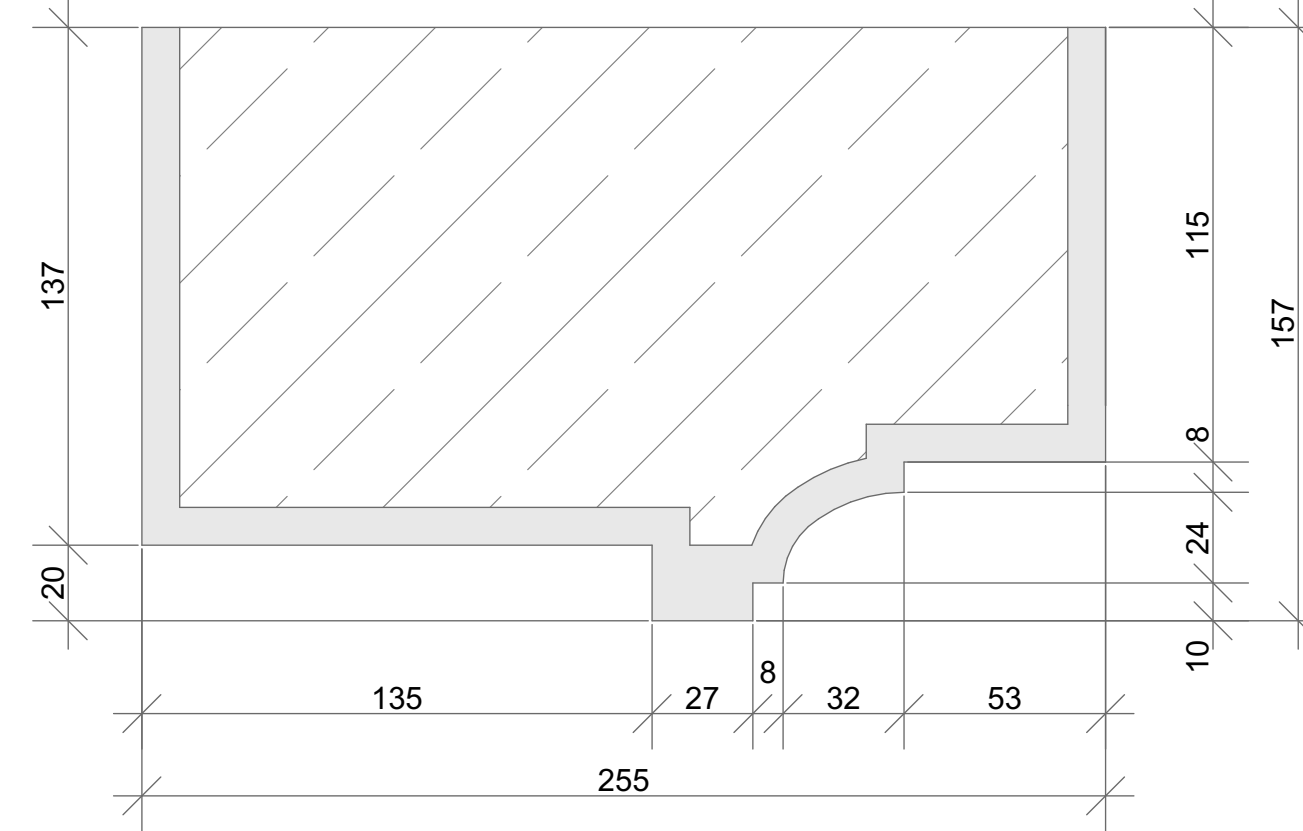


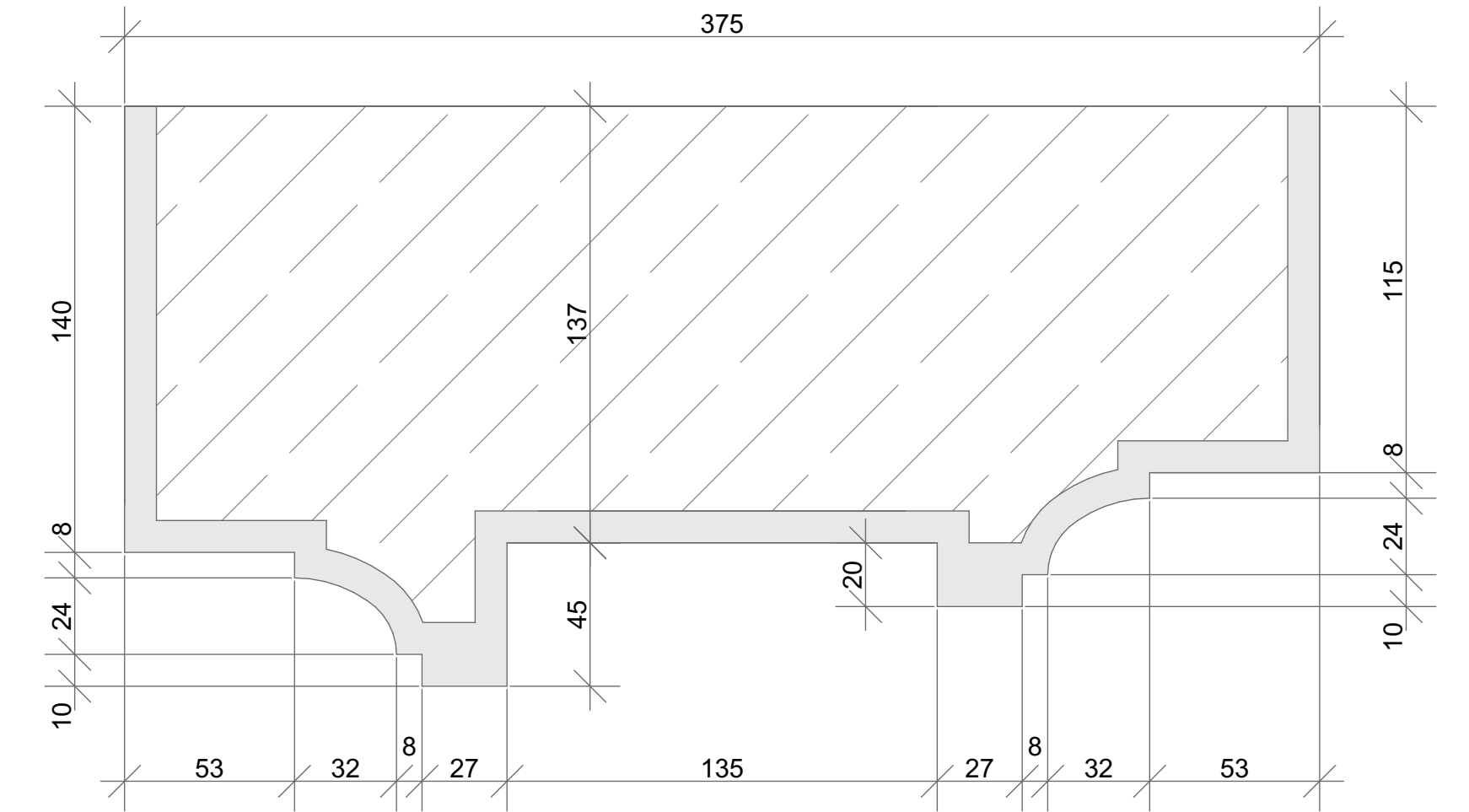
LAMB'S TONGUE
GLAZING BAR DETAIL
DETAIL A 1:1



CAST ARCHITRAVE DETAIL
DETAIL B 1:2



CAST ARCHITRAVE DETAIL
DETAIL C 1:2



CAST ARCHITRAVE DETAIL
DETAIL D 1:2

DESIGN DEVELOPMENT

DOMVS
LONDON

WWW.DOMVSLONDON.COM

PROJECT:
52 AVENUE ROAD

TITLE:
EXTERNAL OPENING
DETAILS 1

Date: MAY 2023
Scale: 1:1,1:2 @ A1 Drawn: SDK

DRAWING NUMBER: 208-1550P1