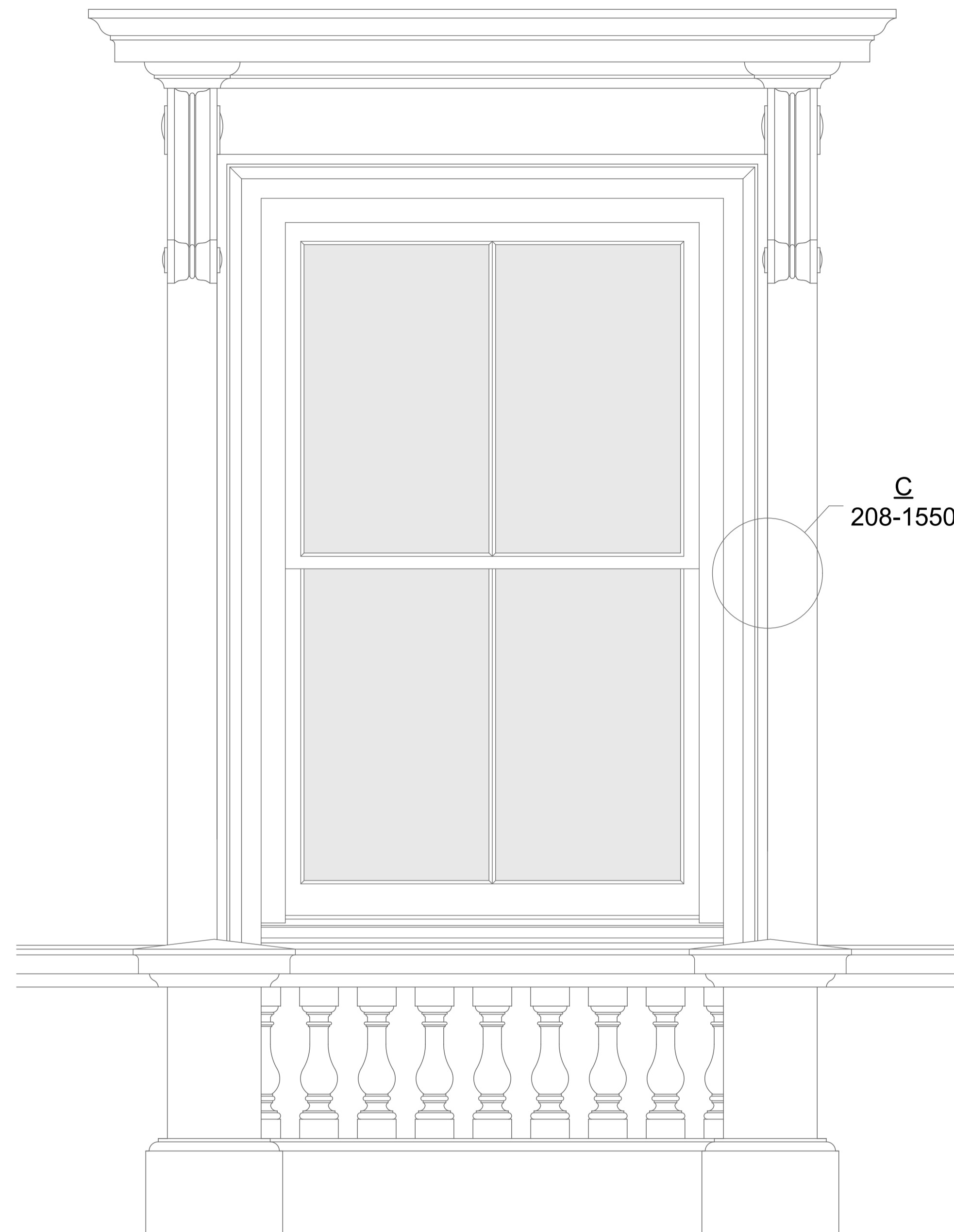


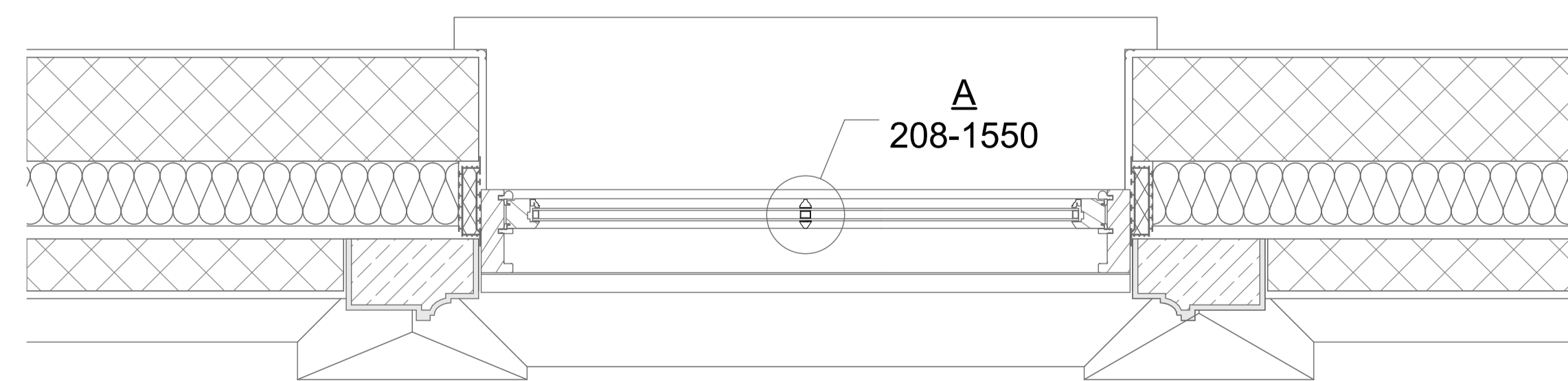
SECTION

2,018



FRONT ELEVATION

C
208-1550



1,260

PLAN

A
208-1550

0 0.5 1 1.5 2M

WINDOW TYPE 5

1:10

DESIGN DEVELOPMENT

DOMVS
LONDON

WWW.DOMVSLONDON.COM

PROJECT:
52 AVENUE ROAD

TITLE:
WINDOW TYPE 5 PLAN,
ELEVATION AND SECTION

Date: MAY 2023

Scale: 1:10 @ A1 Drawn: SDK

DRAWING NUMBER: 208-1515P1