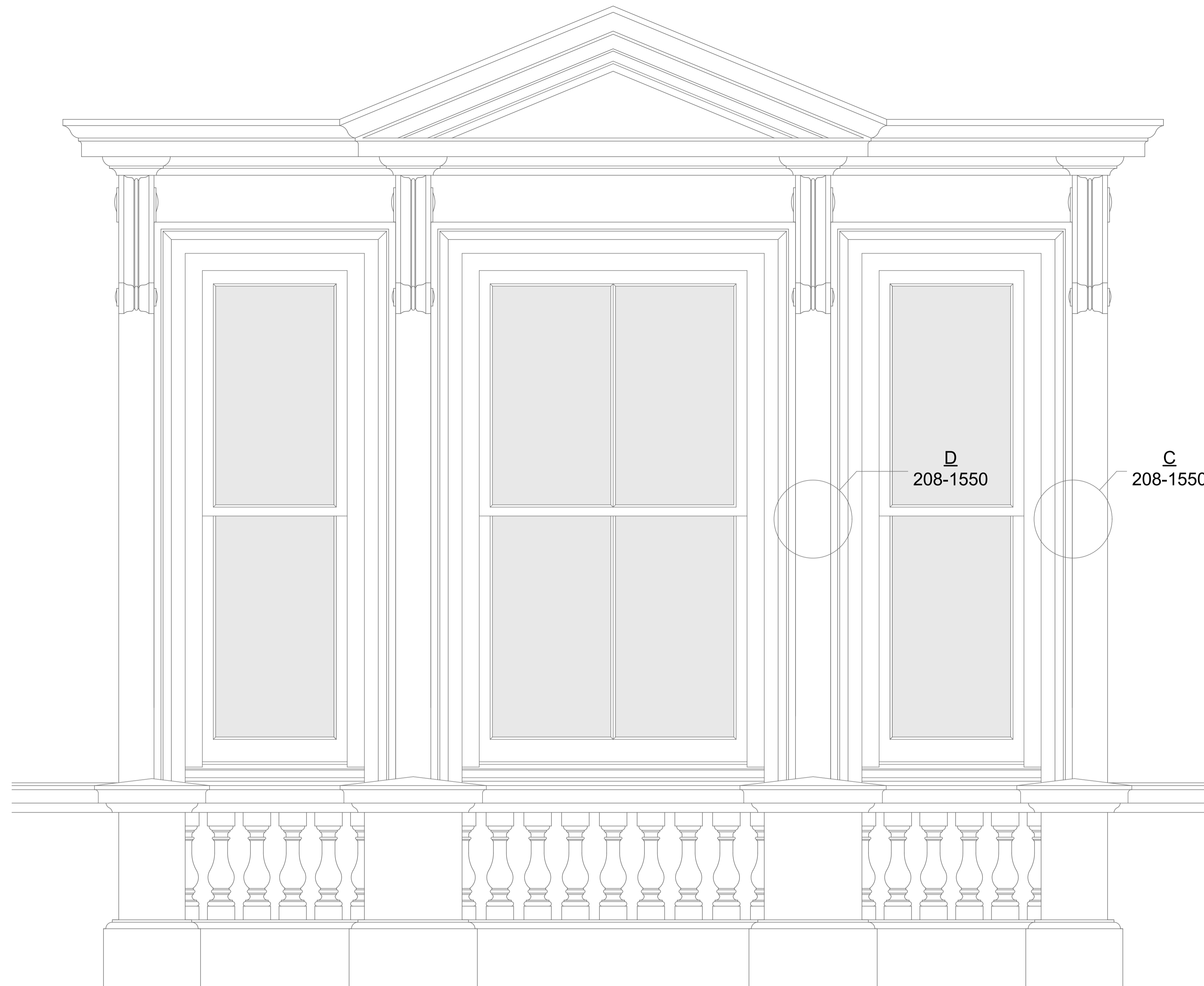


2,018

SECTION

WINDOW TYPE 4 1:10

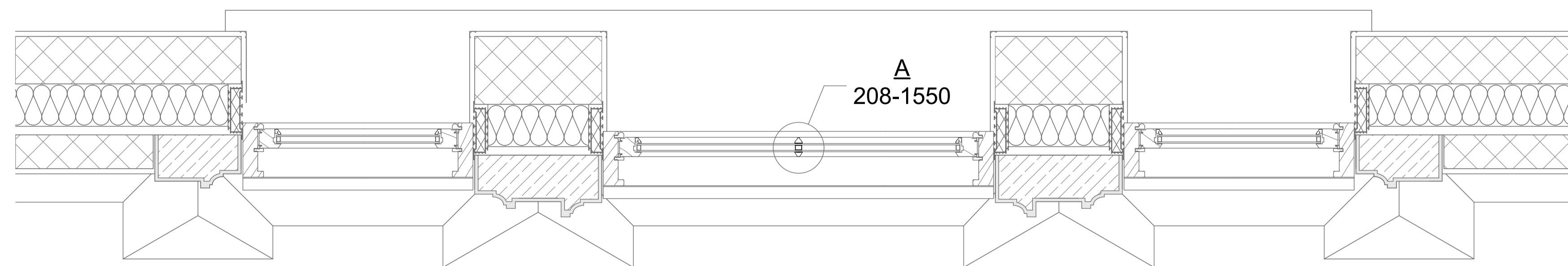


D
208-1550

C
208-1550

FRONT ELEVATION

0 0.5 1 1.5 2M



A
208-1550

689 375 1,162 375 689

PLAN

DESIGN DEVELOPMENT

DOMVS
LONDON

WWW.DOMVSLONDON.COM

PROJECT:
52 AVENUE ROAD

TITLE:
WINDOW TYPE 4 PLAN,
ELEVATION AND SECTION

Date: MAY 2023

Scale: 1:10 @ A1 Drawn: SDK

DRAWING NUMBER: 208-1514P1