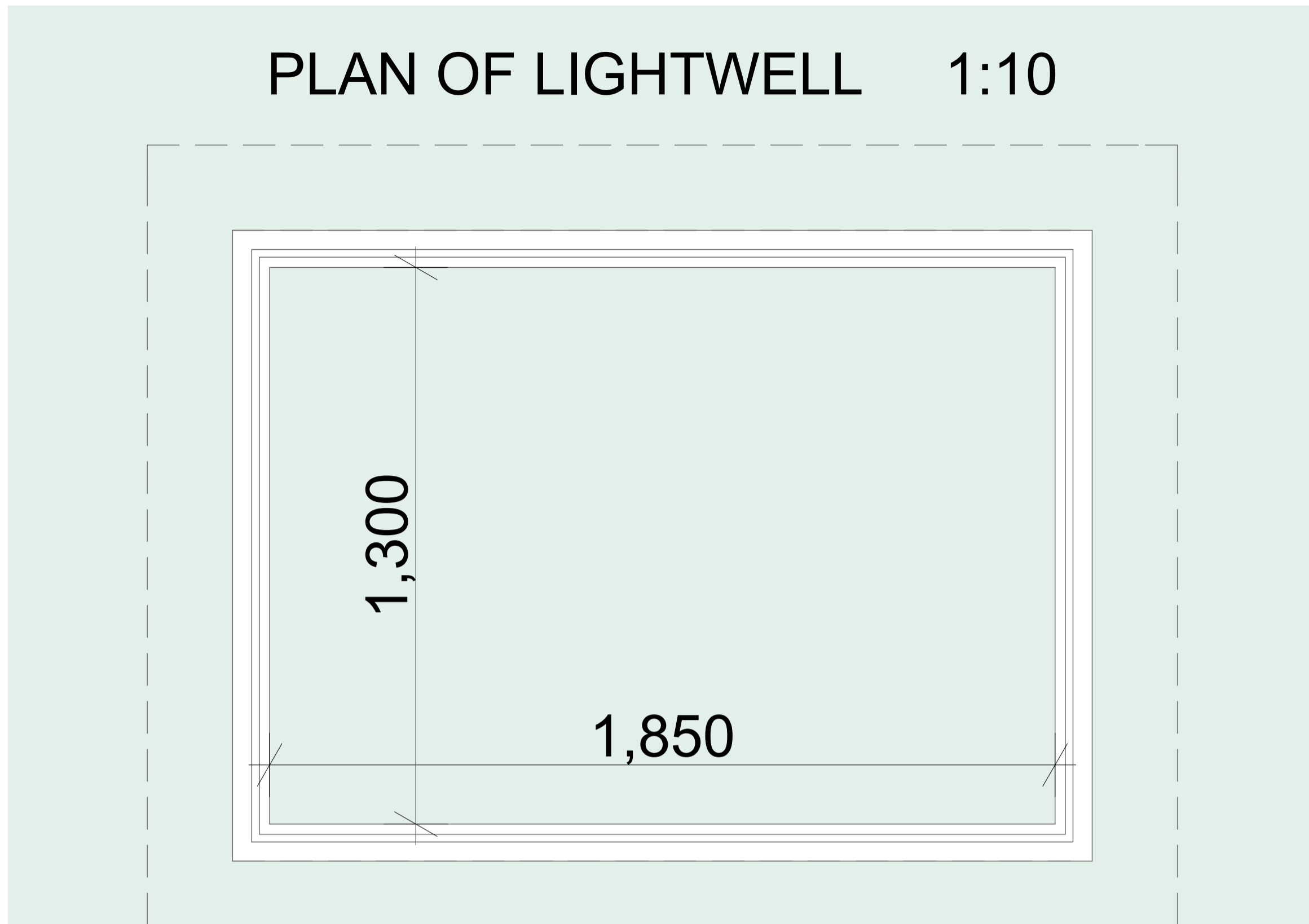
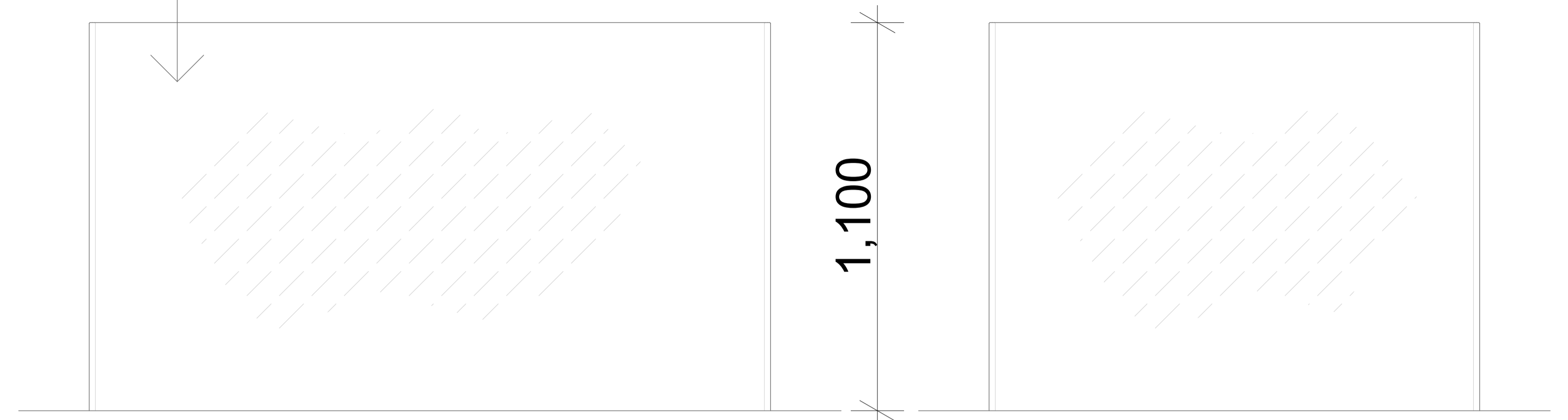


PLAN OF LIGHTWELL 1:10



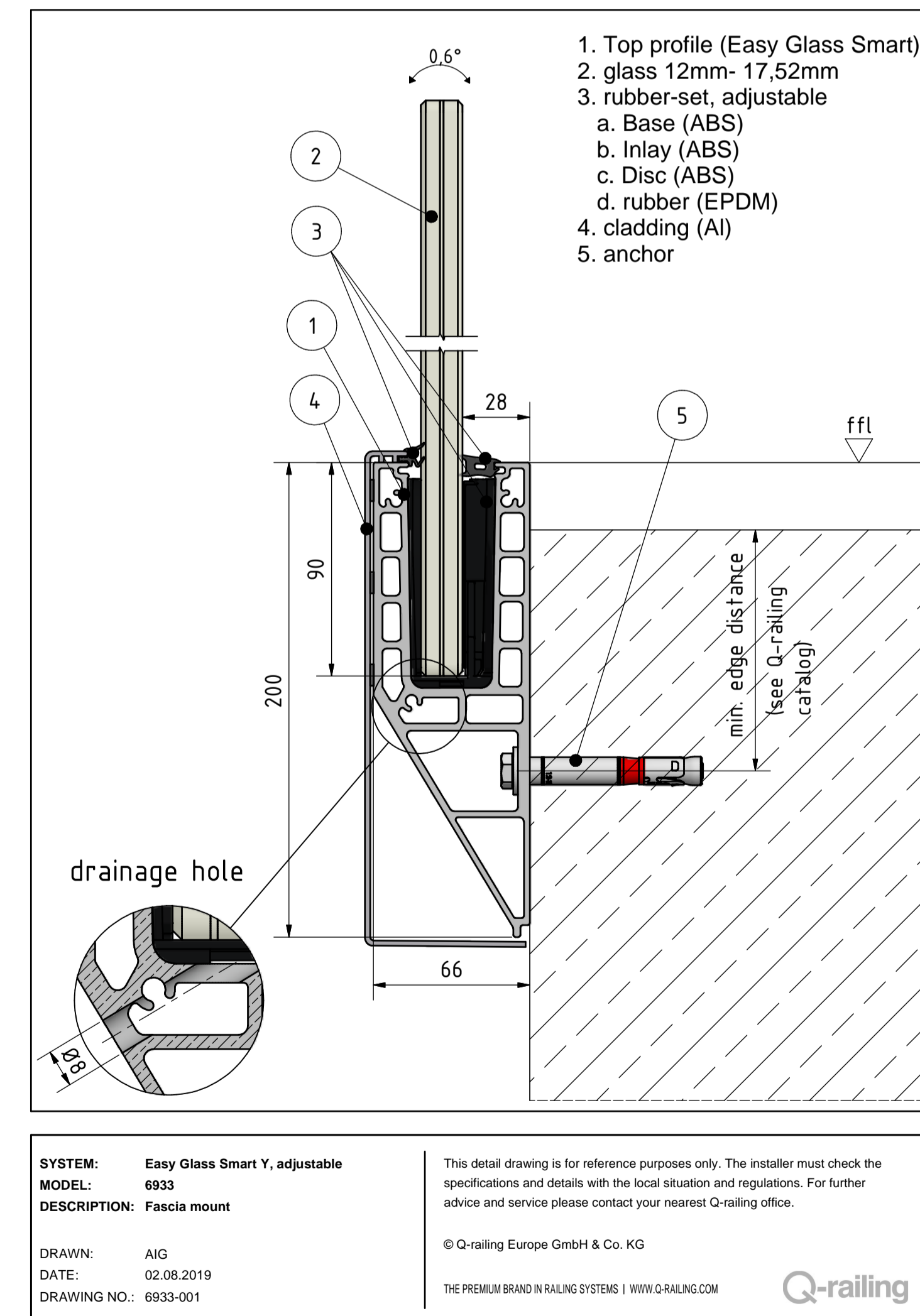
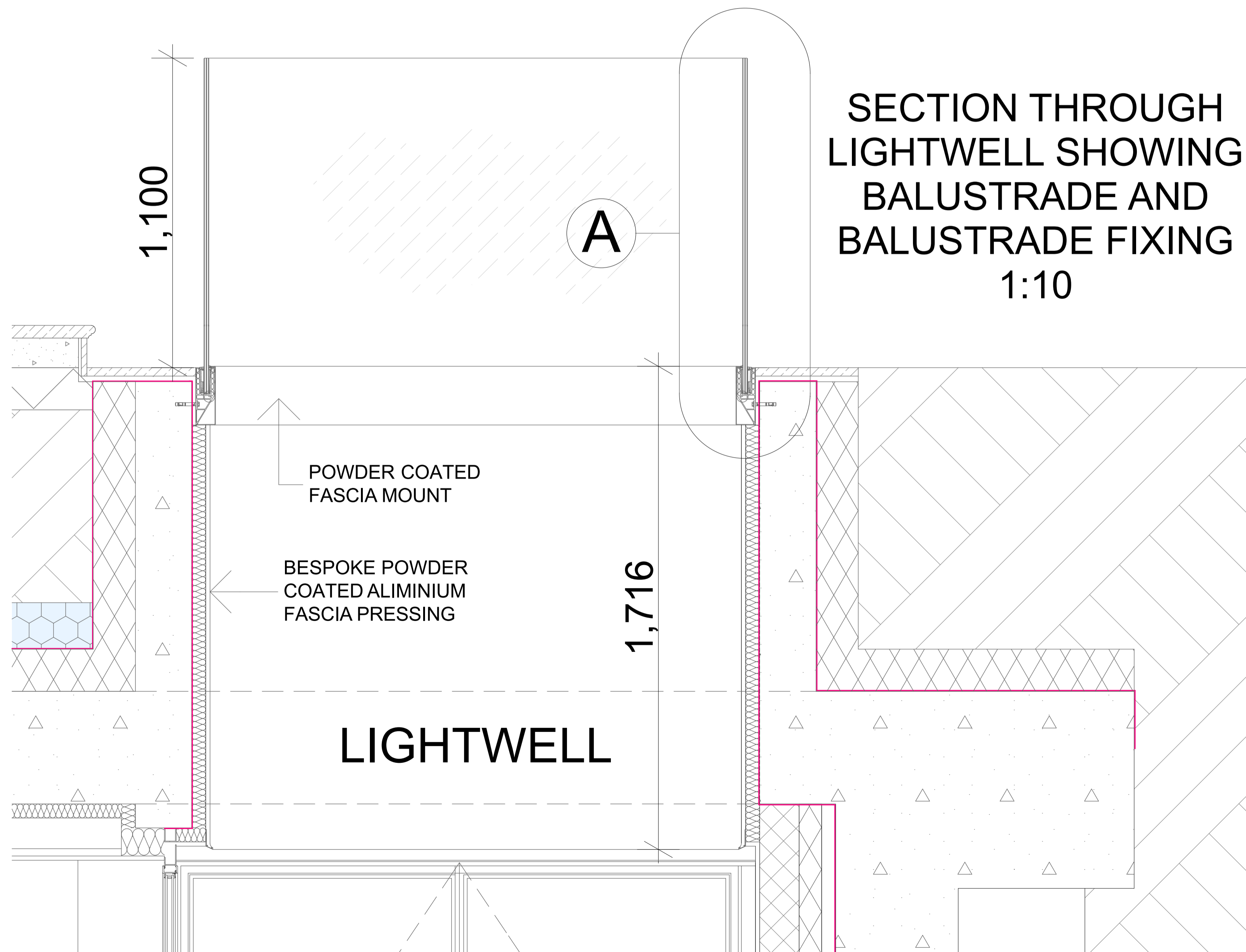
EASY GLASS SMART HANDRAIL BY Q-RAILING
21.52MM LAMINATED WITH FASCIA MOUNT
LOADING 0.74N



LONG ELEVATION OF BALUSTRADE 1:10

SHORT ELEVATION OF BALUSTRADE 1:10

SECTION THROUGH LIGHTWELL SHOWING BALUSTRADE AND BALUSTRADE FIXING 1:10



DETAIL A SHOWING BALUSTRADE FIXING 1:10

DESIGN DEVELOPMENT

DOMVS
LONDON

WWW.DOMVSLONDON.COM

PROJECT:
52 AVENUE ROAD

TITLE:
TYPICAL LIGHTWELL DETAIL
SHOWING HANDRAIL

Date: JANUARY 2023

Scale: 1:100 @ A1 Drawn: SDK

DRAWING NUMBER: 208-1370P1