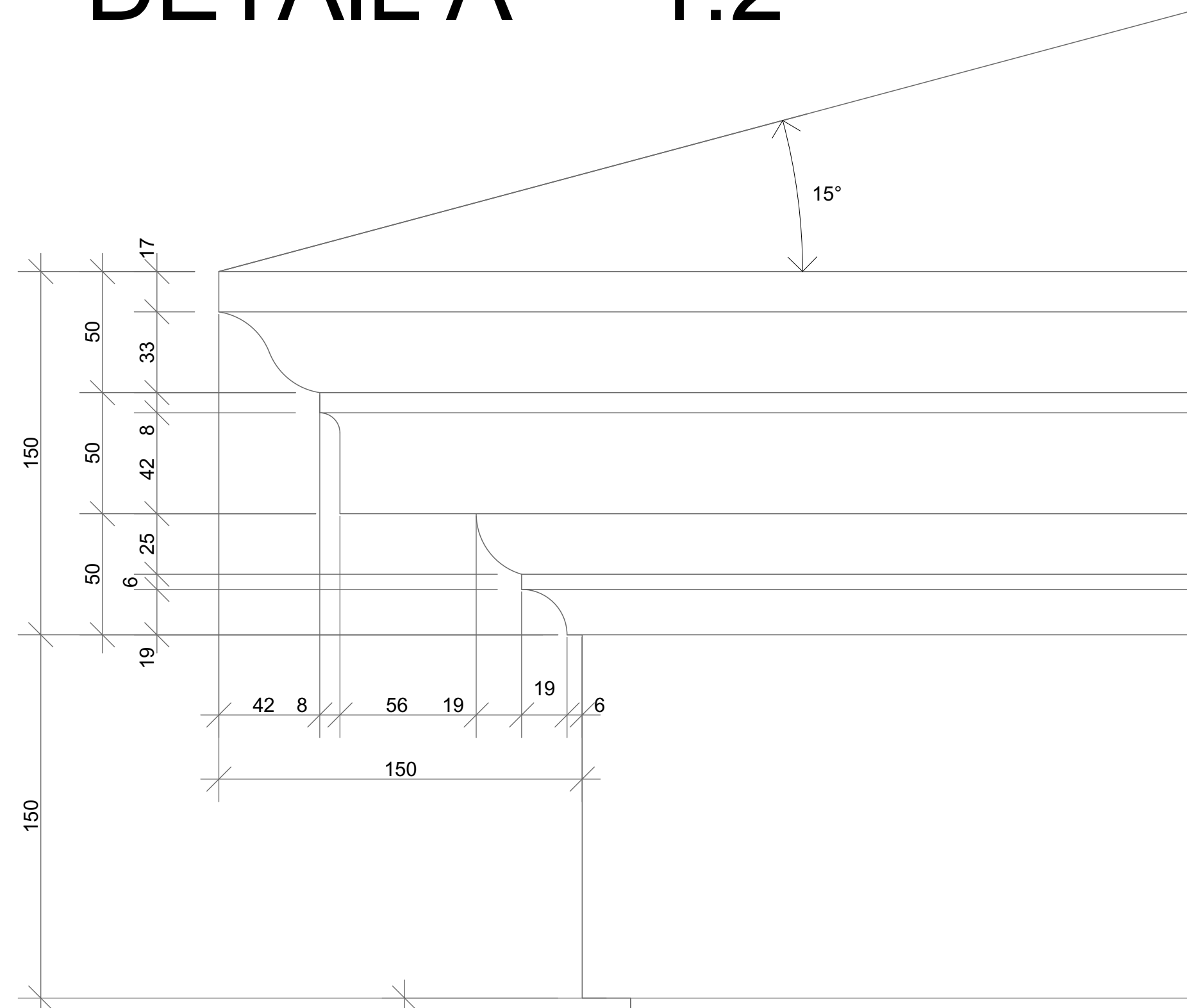


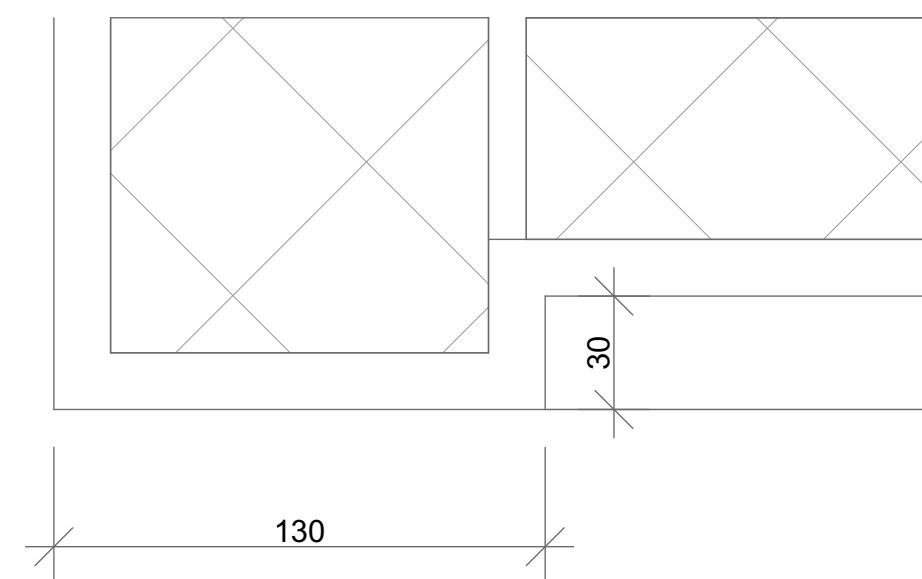
GATE PIER CAPPING DETAIL

DETAIL A 1:2



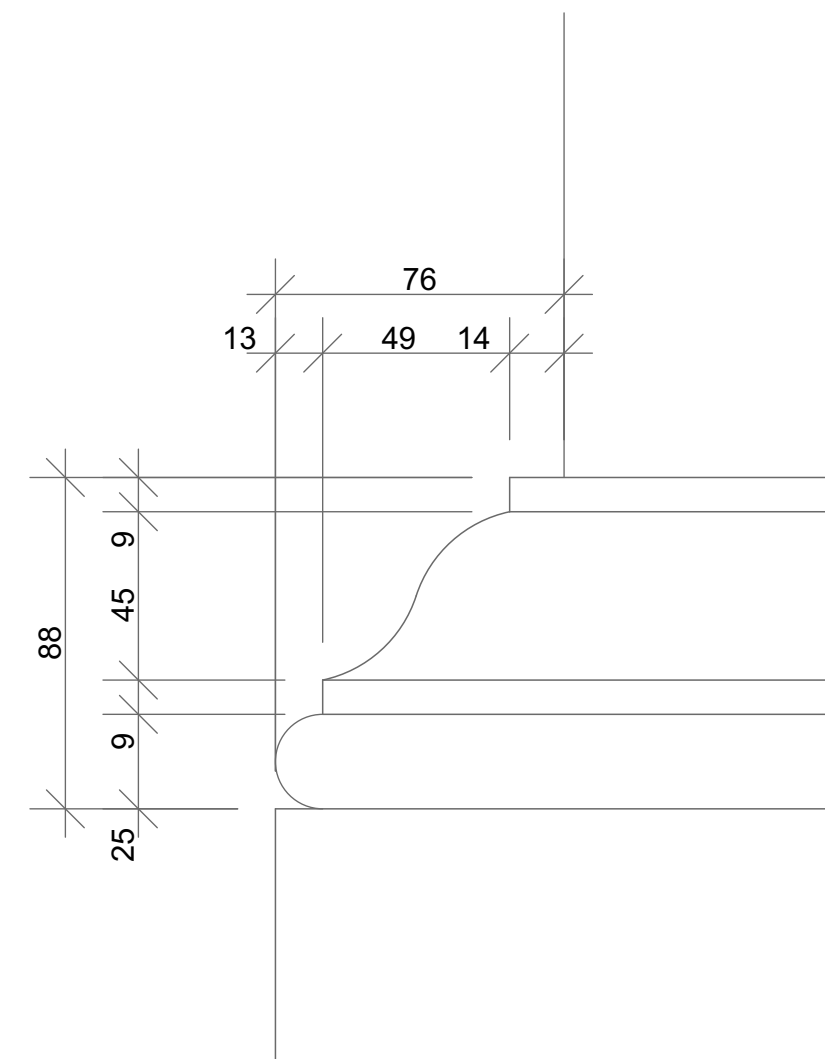
ELEVATION

PLAN



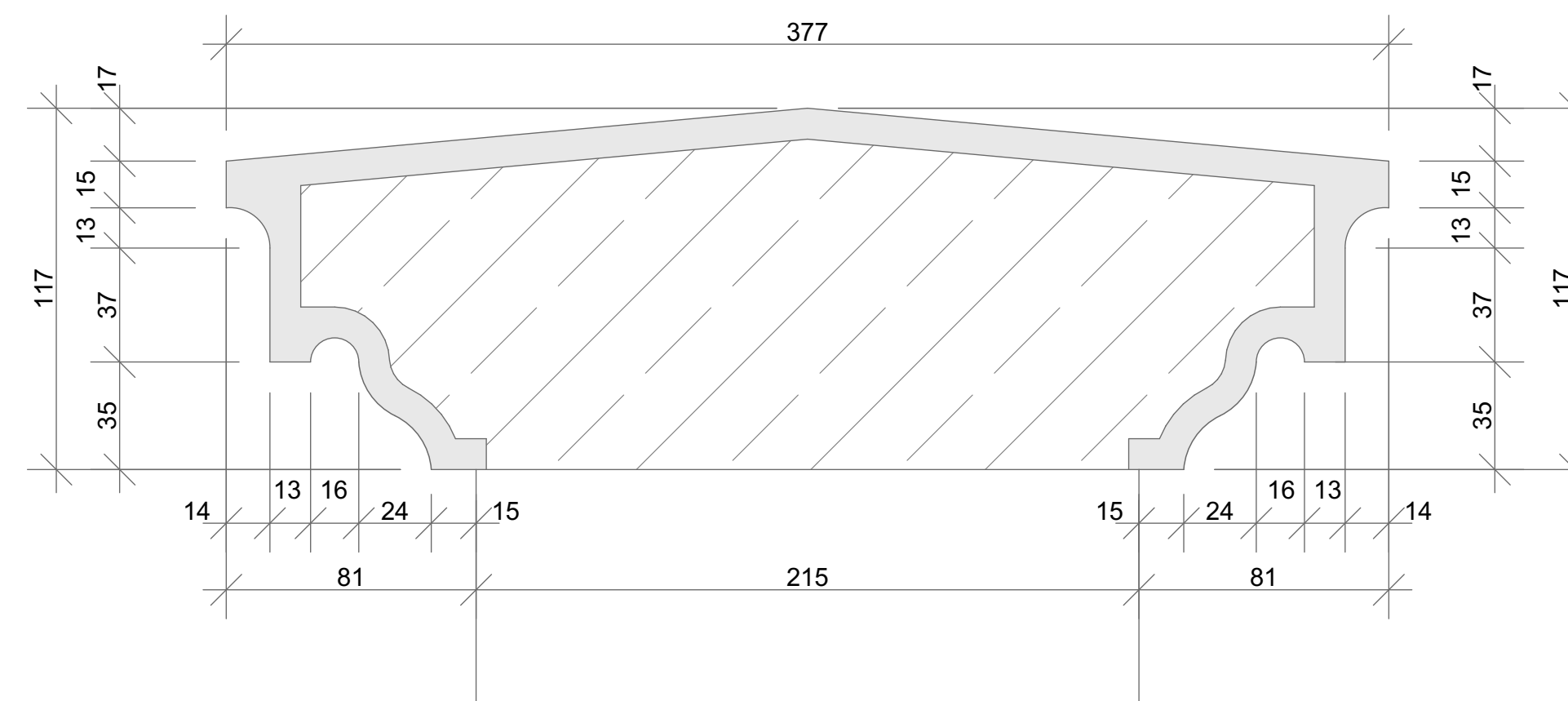
GATE PIER FIELDED  
PANEL DETAIL

DETAIL B 1:2



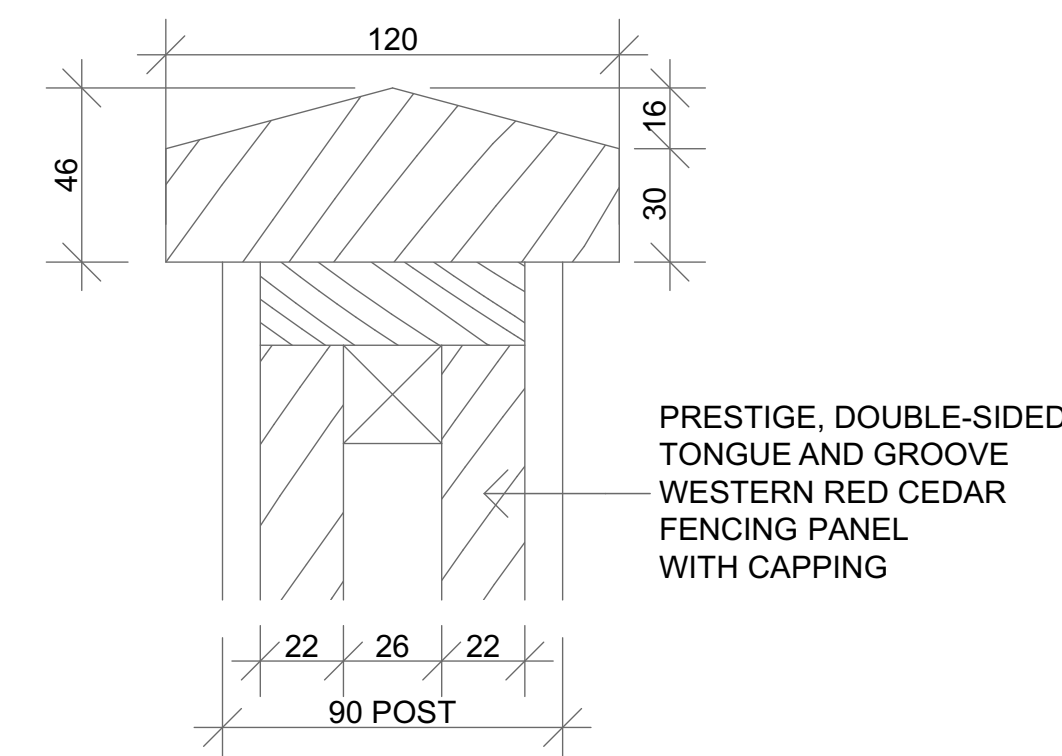
GATE PIER PLINTH DETAIL

DETAIL C 1:2



BOUNDARY WALL COPING DETAIL

DETAIL D 1:2



GARDEN FENCE DETAIL

DETAIL E 1:2

DESIGN DEVELOPMENT

DOMVS  
LONDON

[WWW.DOMVSLONDON.COM](http://WWW.DOMVSLONDON.COM)

**PROJECT:**  
52 AVENUE ROAD

**TITLE:**  
BOUNDARY WALL PROFILES

Date: JUNE 2023

Scale: 1:100 @ A1 Drawn: SDK

**DRAWING NUMBER: 208-1013P2**