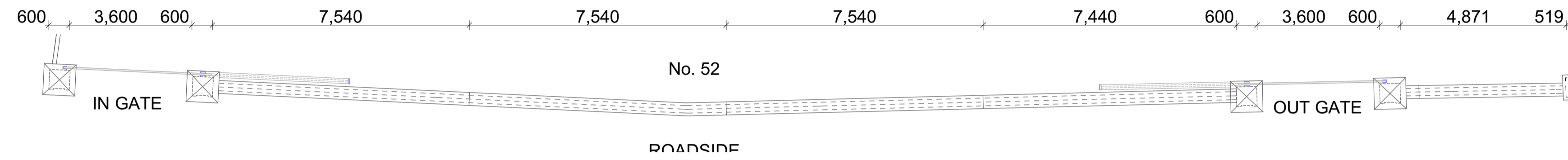
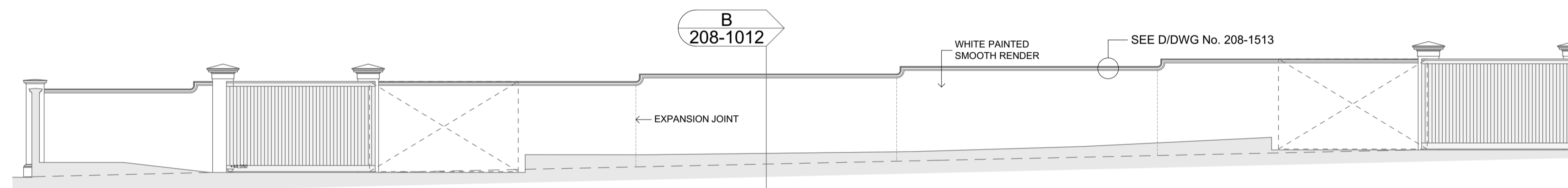


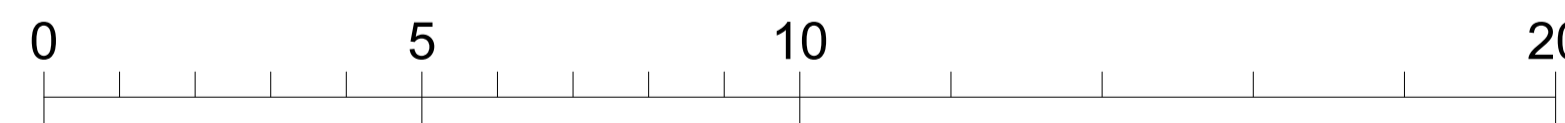
EXTERNAL ELEVATION OF SOUTH BOUNDARY WALL AS SEEN FROM AVENUE ROAD 1:100



PLAN OF SOUTH BOUNDARY WALL 1:100



INTERNAL ELEVATION OF SOUTH BOUNDARY WALL 1:100



DESIGN DEVELOPMENT

DOMVS  
LONDON

WWW.DOMVSLONDON.COM

PROJECT:  
52 AVENUE ROAD

TITLE:  
PROPOSED SOUTH  
BOUNDARY WALL

Date: JUNE 2023

Scale: 1:100 @ A1 Drawn: SDK

DRAWING NUMBER: 208-1010P1