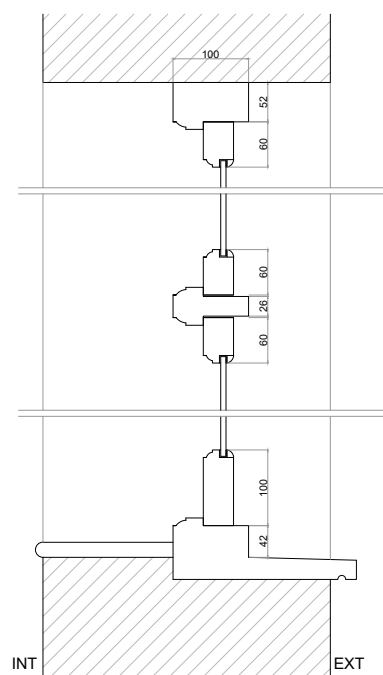
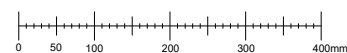
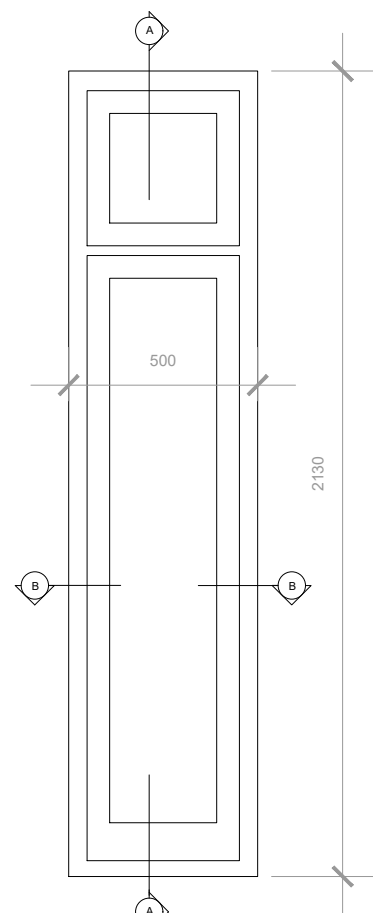
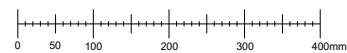


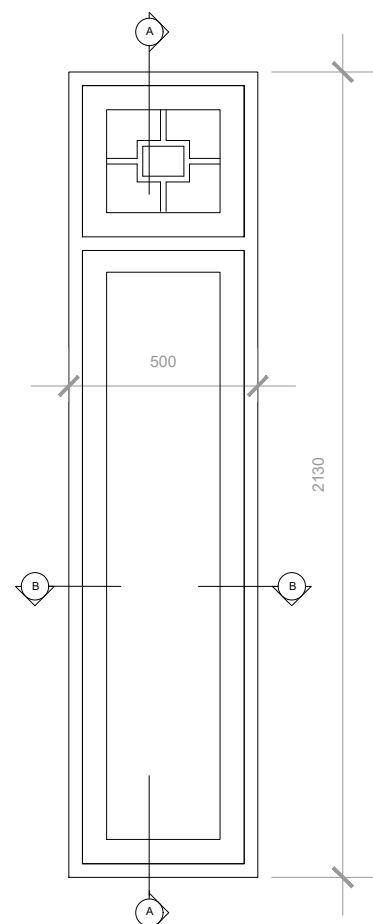
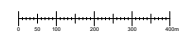
W-001 & W-003 - Timber S/G
Existing Section B
Scale 1/10



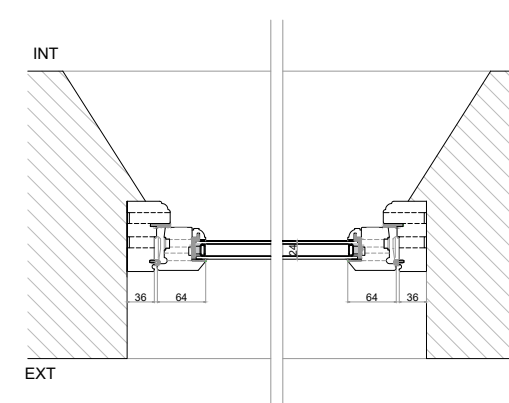
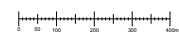
W-001 & W-003 - Timber S/G
Existing Section A
Scale 1/10



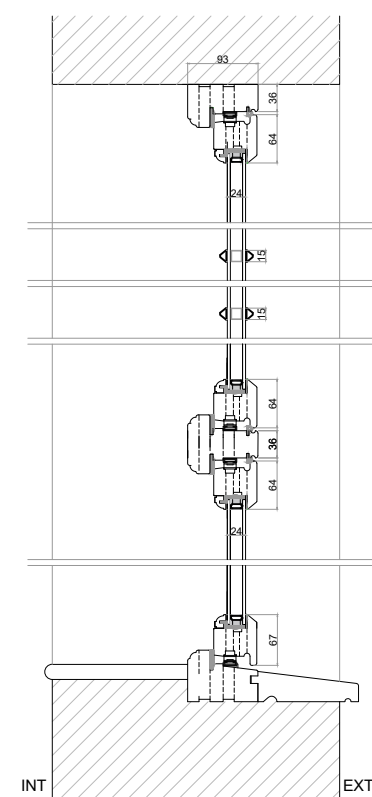
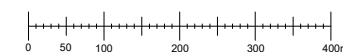
W-001 & W-003
EXISTING ELEVATION
Scale 1/20



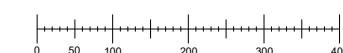
W-001 & W-003
PROPOSED ELEVATION
Scale 1/20



W-001 & W-003 - Timber D/G
Proposed Section B
Scale 1/10



W-001 & W-003 - Timber D/G
Proposed Section A
Scale 1/10



WINDOWS 001 & 003

Address:
176 Goldhurst Terrace,
London NW6 3HN

DWG no: W-001-003

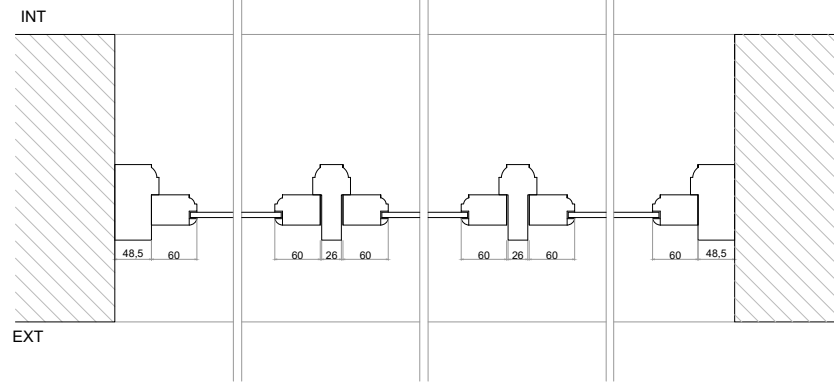
SCALE:
1/10 & 1/20

DATE:
15/07/2023

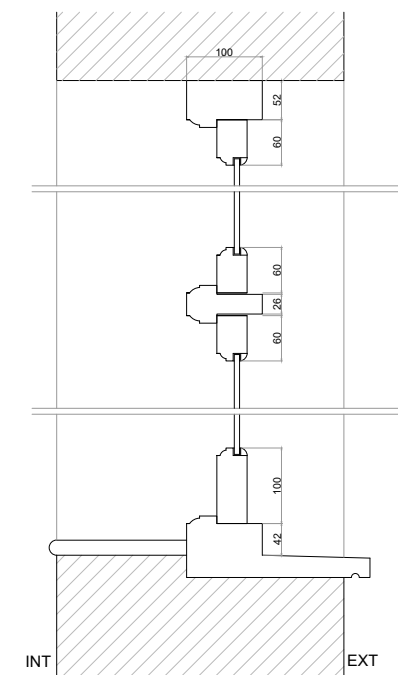
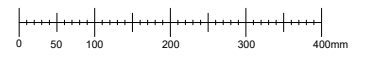
SHEET: A3

REV: -

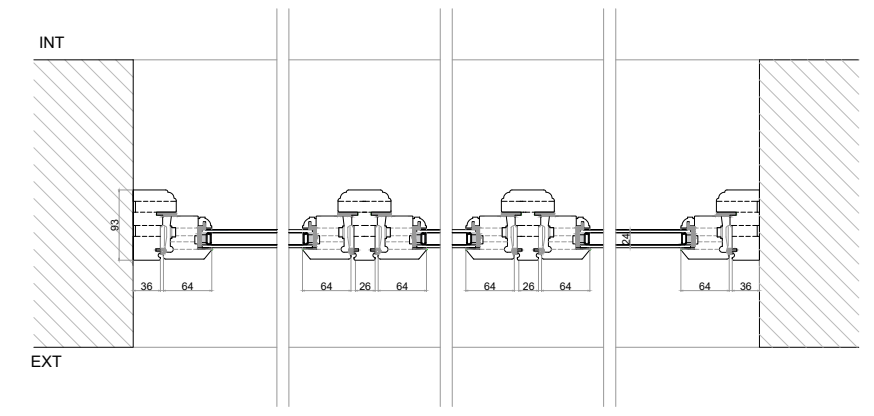
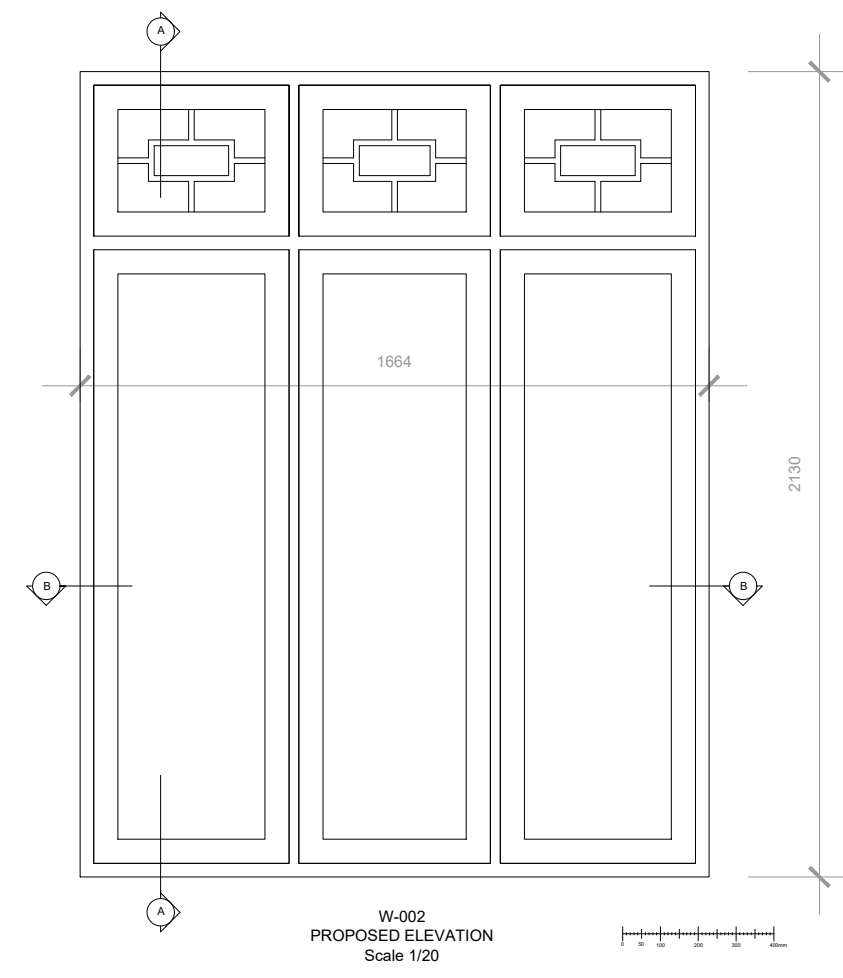
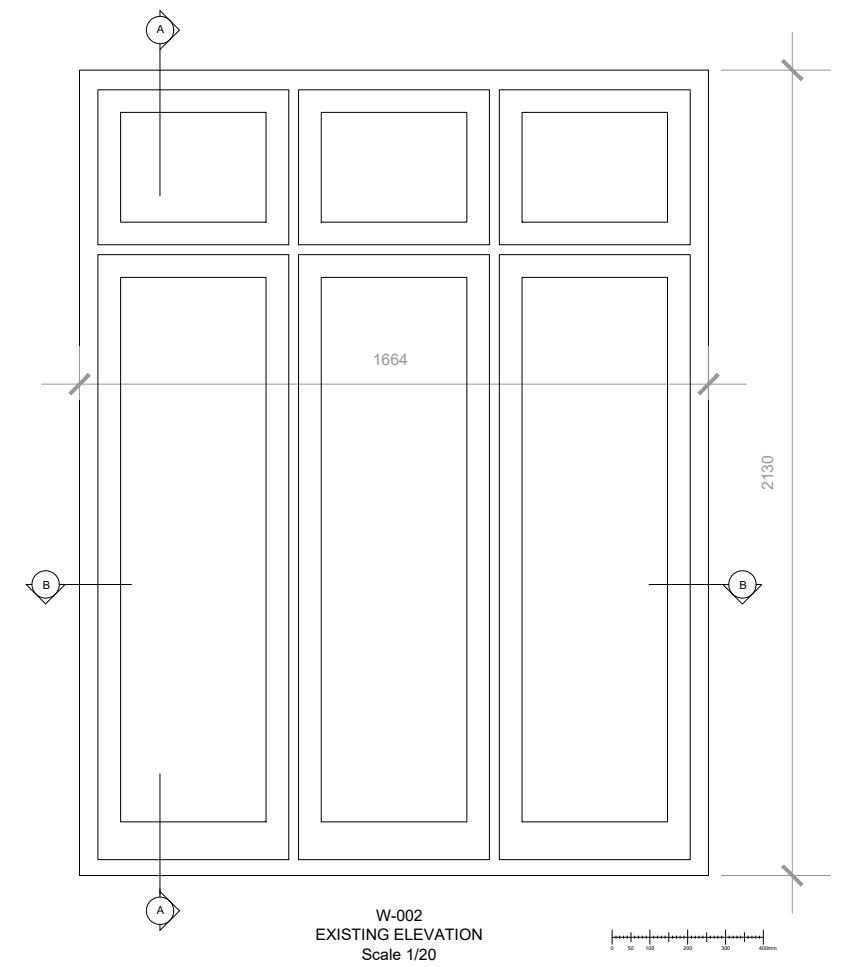
This drawing is copyright © and may not be reproduced without permission
All measurements are taken using laser measure and therefore, may be subject to a small margin of error.
Plans not suitable for construction purposes



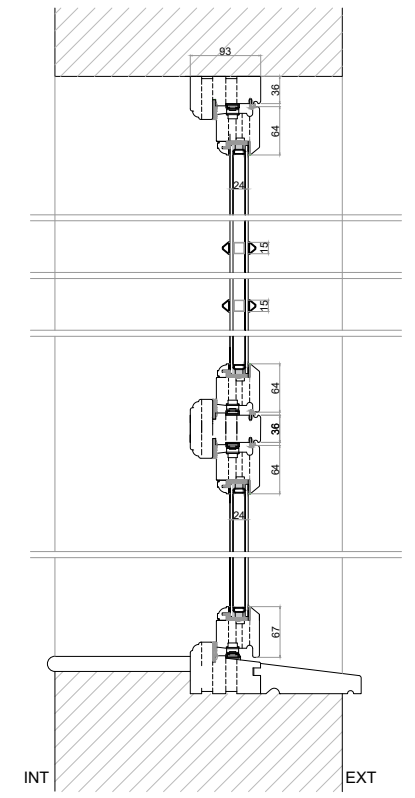
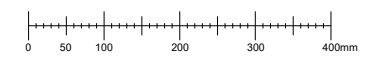
W-002 - Timber S/G
Existing Section B
Scale 1/10



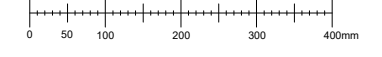
W-002 - Timber S/G
Existing Section A
Scale 1/10



W-002 - Timber D/G
Proposed Section B
Scale 1/10

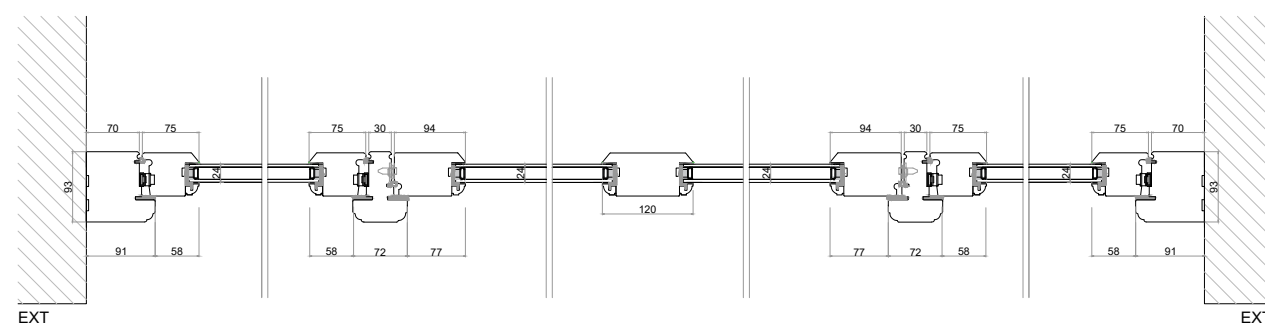
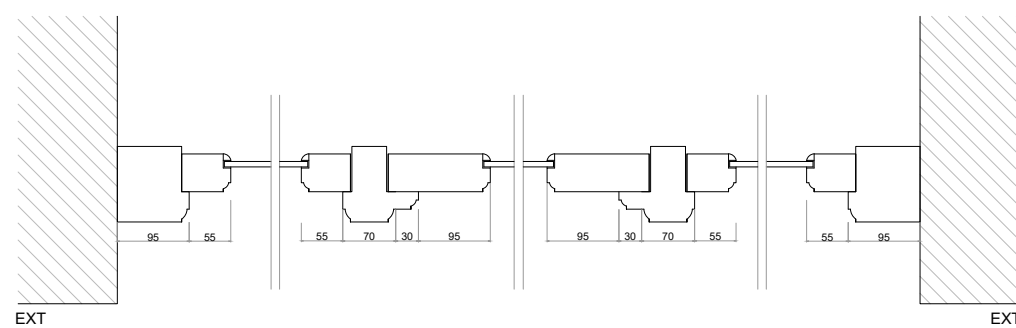
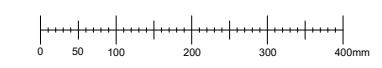
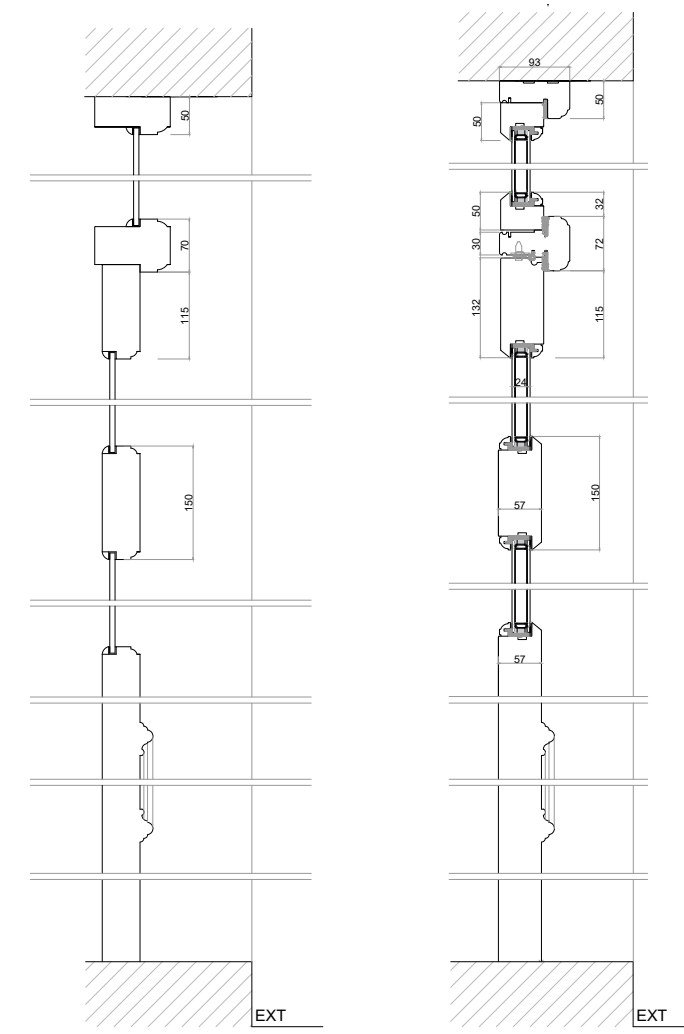
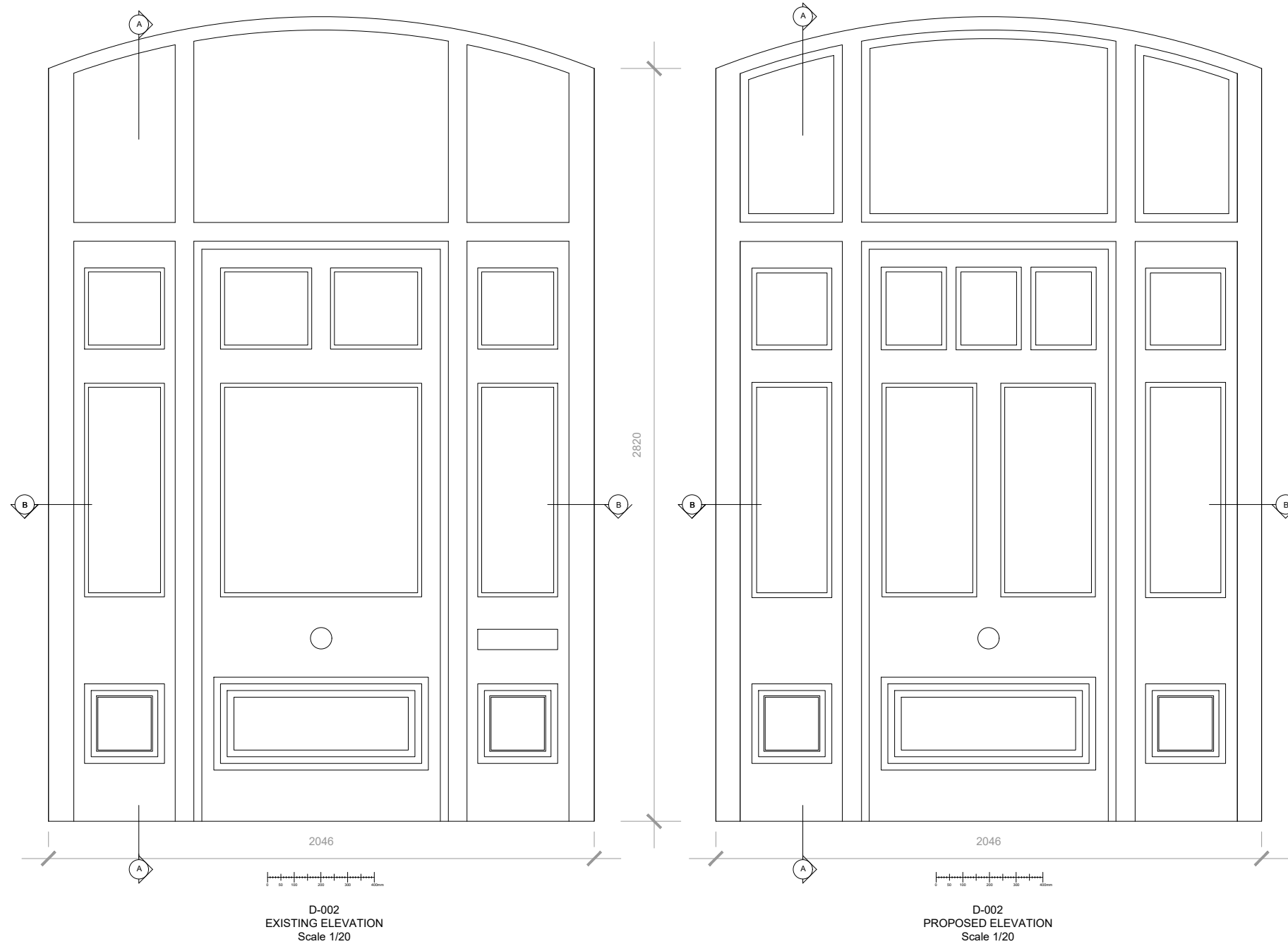


W-002 - Timber D/G
Proposed Section A
Scale 1/10

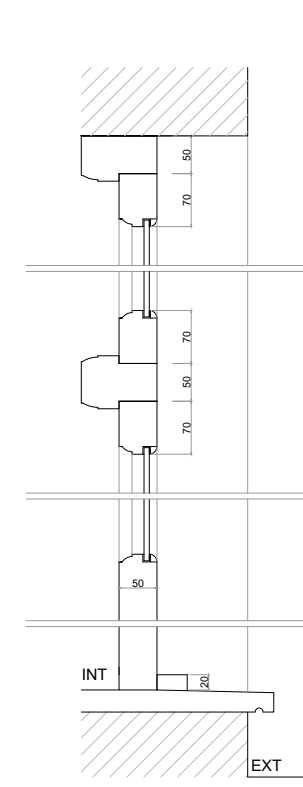
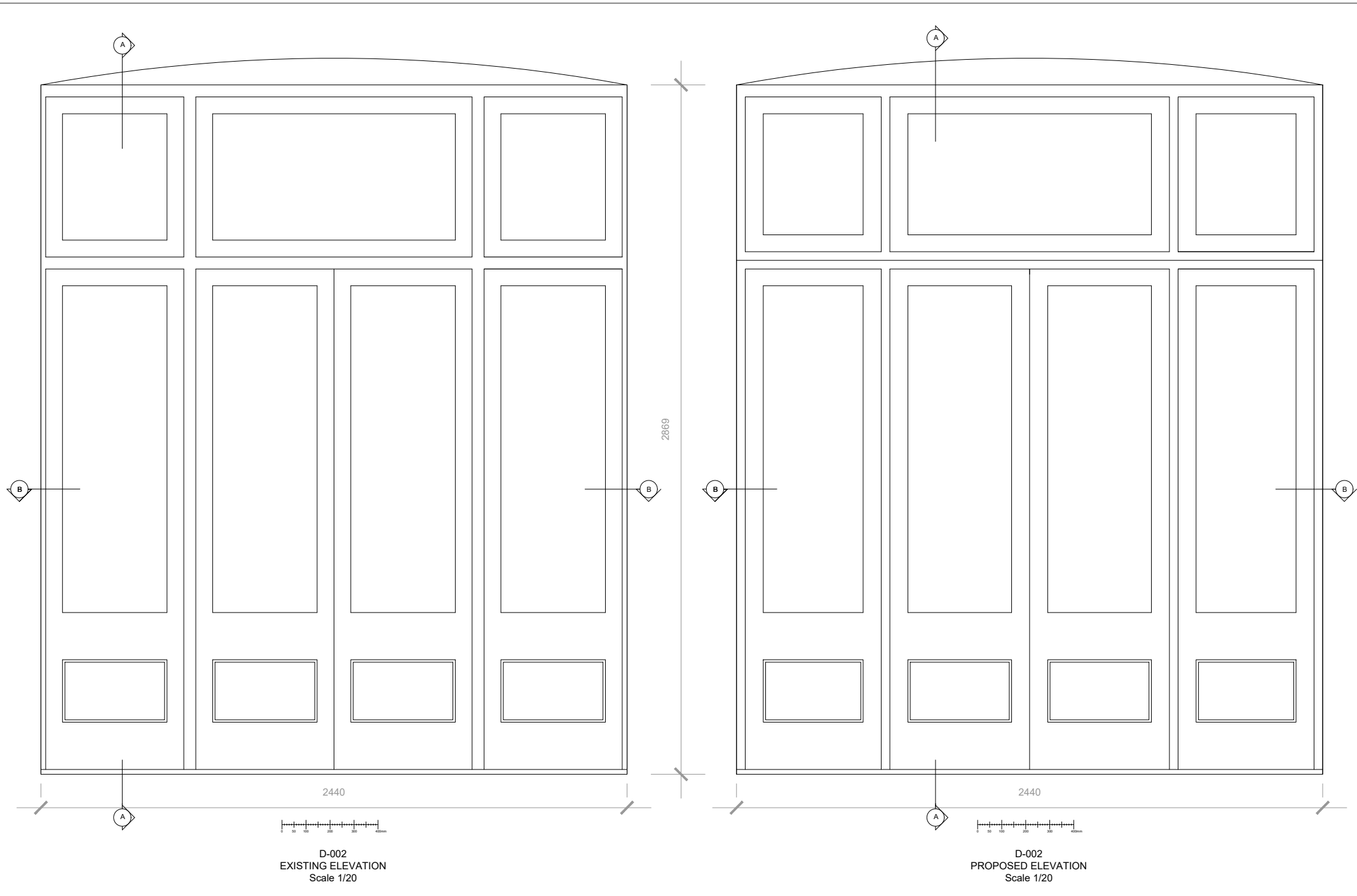


WINDOWS 002		DWG no: W-002	
Address: 176 Goldhurst Terrace, London NW6 3HN		SCALE: 1/10 & 1/20	DATE: 15/07/2023
		SHEET: A3	REV: -

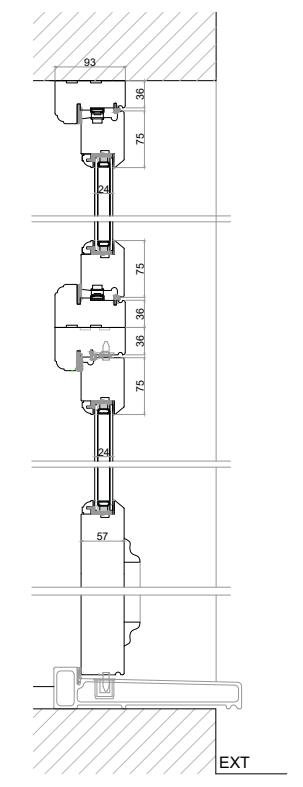
This drawing is copyright © and may not be reproduced without permission
All measurements are taken using laser measure and therefore, may be subject to a small margin of error.
Plans not suitable for construction purposes



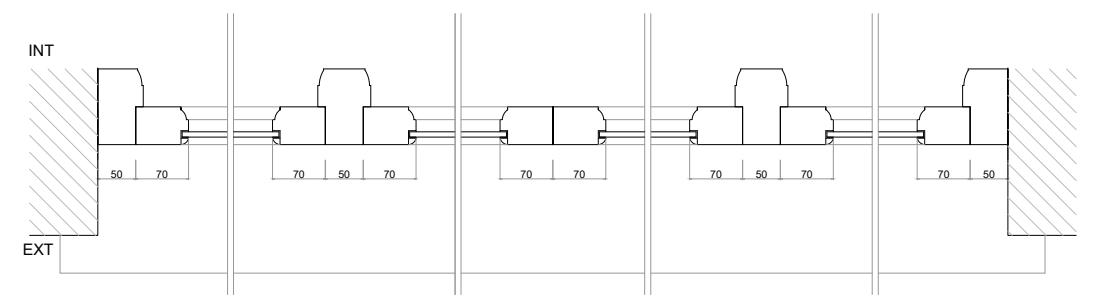
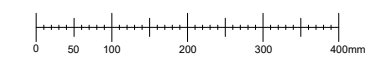
DOOR 001		DWG no: D-001	
Address: 176 Goldhurst Terrace, London NW6 3HN		SCALE: 1/10 & 1/20	DATE: 19/07/2023
		SHEET: A3	REV: A
This drawing is copyright © and may not be reproduced without permission All measurements are taken using laser measure and therefore, may be subject to a small margin of error. Plans not suitable for construction purposes			



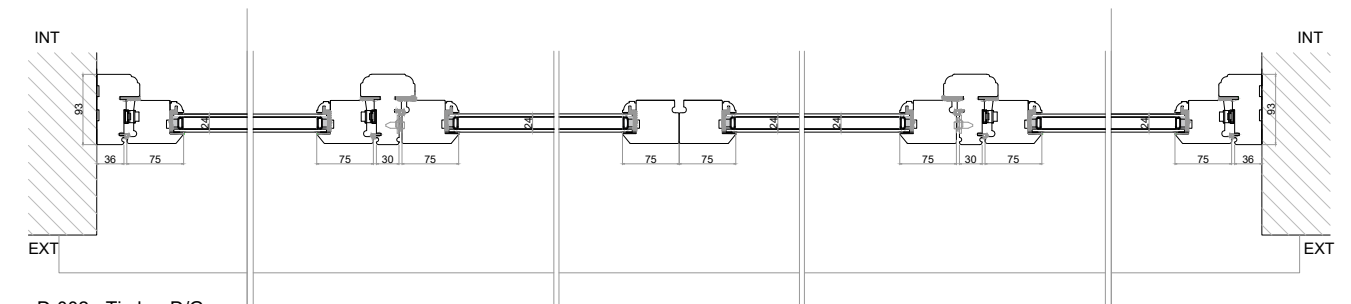
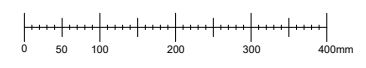
D-002 - Timber S/G
Existing Section A
Scale 1/10



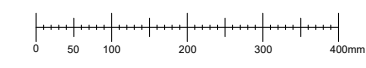
D-002 - Timber D/G
Proposed Section A
Scale 1/10



D-002 - Timber S/G
Existing Section B
Scale 1/10

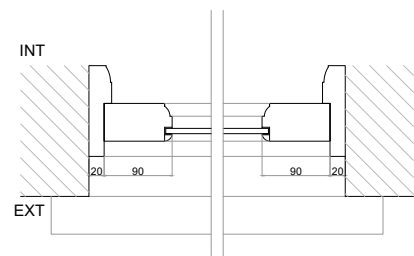


D-002 - Timber D/G
Proposed Section B
Scale 1/10

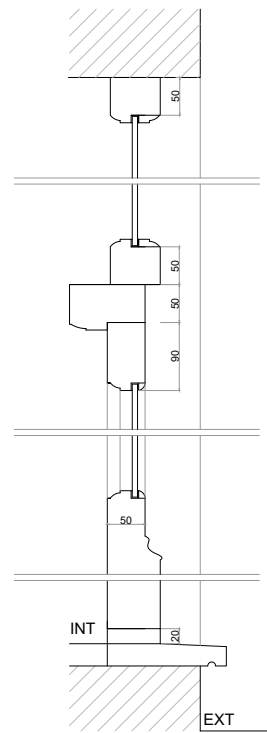


DOOR 002		DWG no: D-002	
Address: 176 Goldhurst Terrace, London NW6 3HN		SCALE: 1/10 & 1/20	DATE: 15/07/2023
		SHEET: A3	REV: -

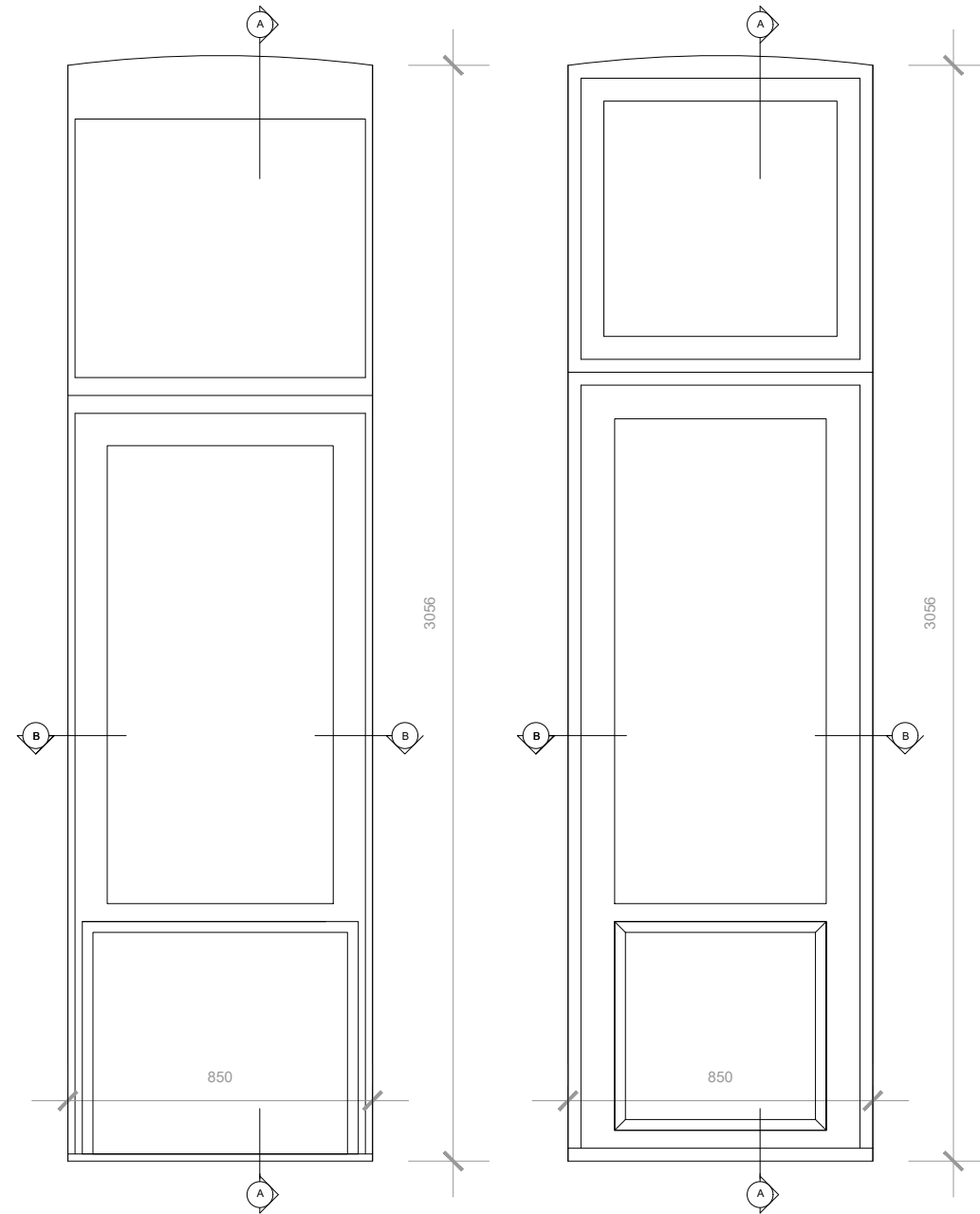
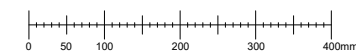
This drawing is copyright © and may not be reproduced without permission
All measurements are taken using laser measure and therefore, may be subject to a small margin of error.
Plans not suitable for construction purposes



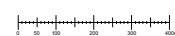
D-003 - Timber S/G
Existing Section B
Scale 1/10



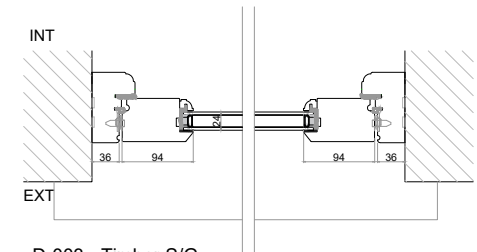
D-003 - Timber S/G
Existing Section A
Scale 1/10



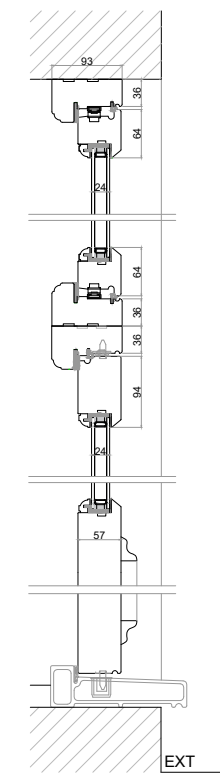
D-003
EXISTING ELEVATION
Scale 1/20



D-003
PROPOSED ELEVATION
Scale 1/20



D-003 - Timber S/G
Existing Section B
Scale 1/10



D-003 - Timber S/G
Existing Section A
Scale 1/10



DOOR 003

Address:

176 Goldhurst Terrace,
London NW6 3HN

DWG no: D-003

SCALE:
1/10 & 1/20

DATE:
15/07/2023

SHEET: A3

REV: -

This drawing is copyright © and may not be reproduced without permission
All measurements are taken using laser measure and therefore, may be subject to a small margin of error.
Plans not suitable for construction purposes