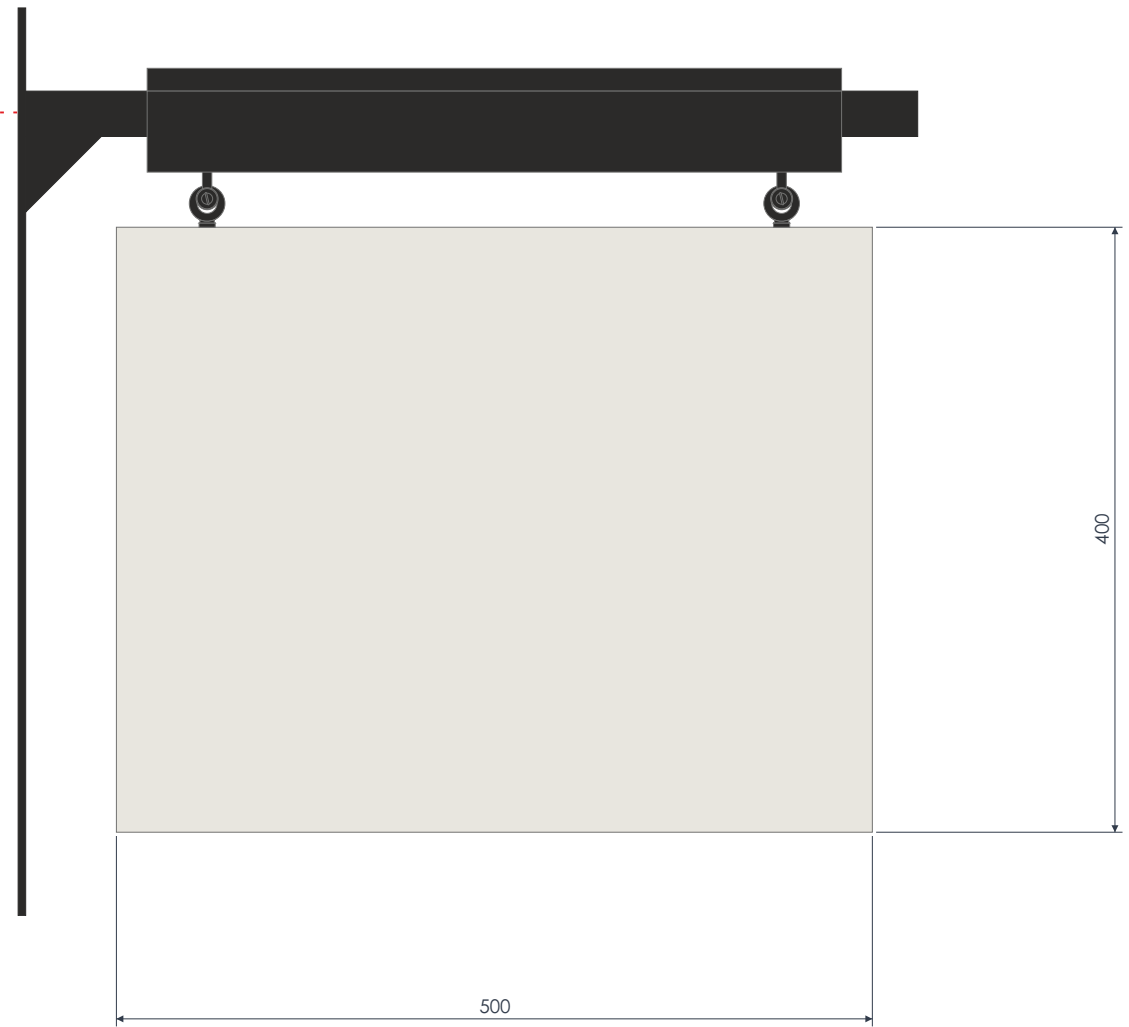
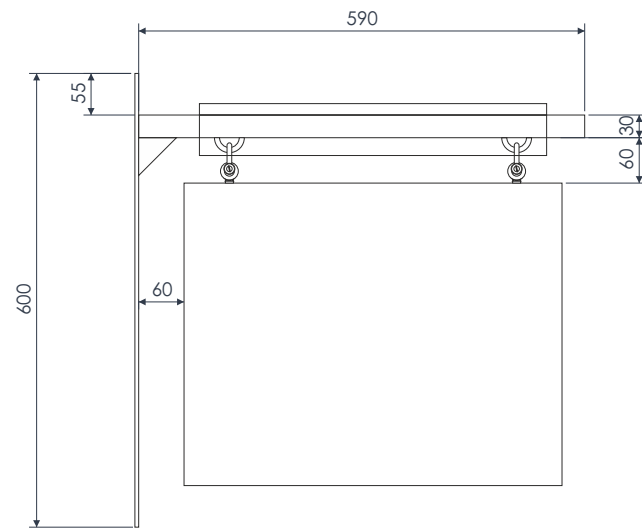
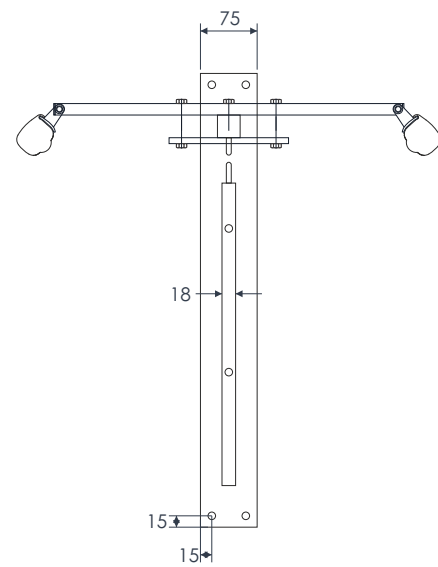


POWER FEED REQUIRED



PROPOSED PROJECTING UNIT

SCALE 1:5



PROPOSED PROJECTOR BUILD

SCALE 1:8

PROJECTOR SPEC				PROD. FILES
FACE PANEL	18MM FOAMEX	FINISH	TBC	X
HORIZ. ARM	30X30x1.5MM MILD STEEL (*1)	FINISH	RAL9005 SG BLACK	
WALL PLATE/BRACKET	5MM MILD STEEL (*2)	FINISH	RAL9005 SG BLACK	
UNIT FIXINGS	6NO. M8 BOLT FIXINGS (TBC) PAINT FIN RAL9005 SG BLACK			
VINYL	TBC			X
ILLUMINATION	TROUGH ILLUMINATED VIA PORTLAND ECOFLUX EXTRUSION + 500MM WIDE PICTORIAL BRACKET (3000K WHITE) FINISH RAL9005 SG BLACK			
TRANSFORMER/S	TO BE LOCATED REMOTELY ON SITE (LOCATION TBC)			
QUANTITY	1NO. UNIT			
OTHER DETAIL	(*1) 2NO. WELDED HOOPS + 'D' SHACKLES + WELDED END CAP + 50X50MM WEBBING (*2) 6NO 10MM DIA. FIXING HOLES			

CLIENT/JOB NO.	GMS ESTATES
JOB TITLE/SITE	PROJECTING SIGN/46 LAMB'S CONDUIT ST
DRAWING NUMBER	DRG001
DRAWING TITLE	PROPOSED SIGNAGE LAYOUT

REVISIONS	ISSUE NO.	PM	DRAWN	CHK	SURVEY
	A01-01	DG	DG	RB	N/A
	INITIAL DRAWING		SCALE/S AT A3		
	05.07.2023		1:8, 1:5		
	FILE REFERENCE	\\GRAFFITI-SERVER\media2\PROJECTS - GRAFFITI\GMS Estates\DRAWINGS			

DESIGN HOUSE	SWIFE BUSINESS PARK BROAD OAK EAST SUSSEX TN21 5UP
TEL:	(01435) 866763
EMAIL:	SALES@GRAFFITIDESIGN.CO.UK
GRAFFITI DESIGN INTERNATIONAL LTD OWNS THE COPYRIGHT OF THIS DRAWING. REPRODUCTION OF THIS DRAWING OR ANY PART THEREOF WITHOUT WRITTEN PERMISSION FROM GRAFFITI DESIGN INTERNATIONAL LTD WILL BE SUBJECT TO A MINIMUM CHARGE OF £150 FOR COPYRIGHT INFRINGEMENT.	
ALL DIMENSIONS ARE IN MILLIMETRES UNLESS OTHERWISE STATED. PLEASE CHECK ALL DETAILS ARE ACCURATE BEFORE PRODUCTION.	



 GRAFFITIDESIGN.CO.UK