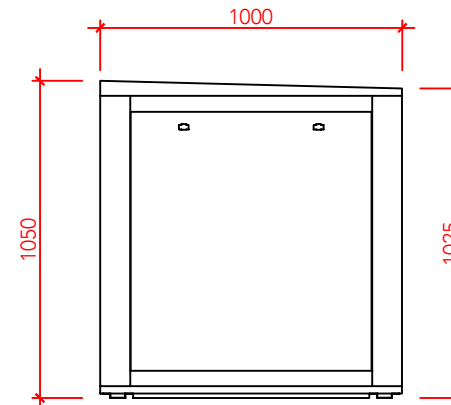
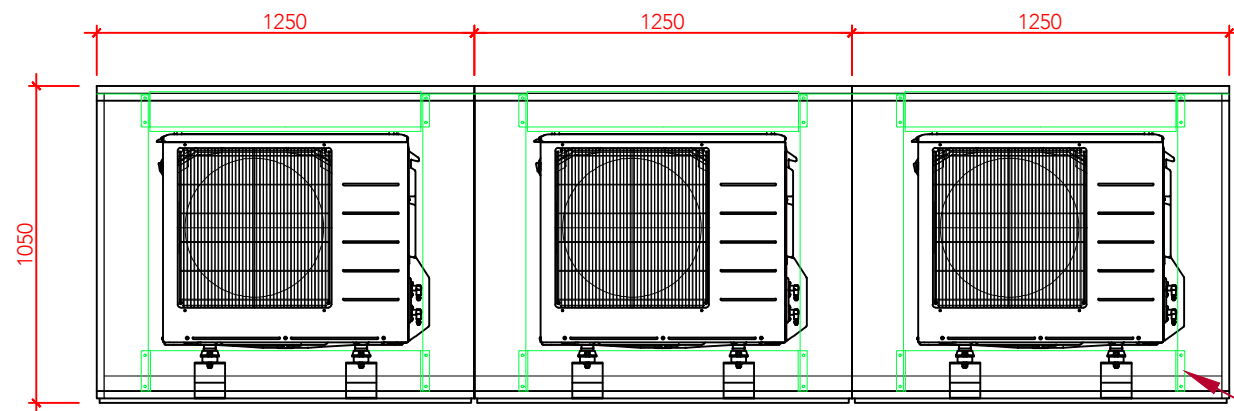


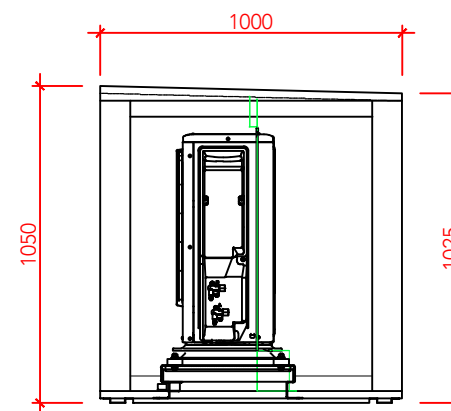
FRONT ELEVATION



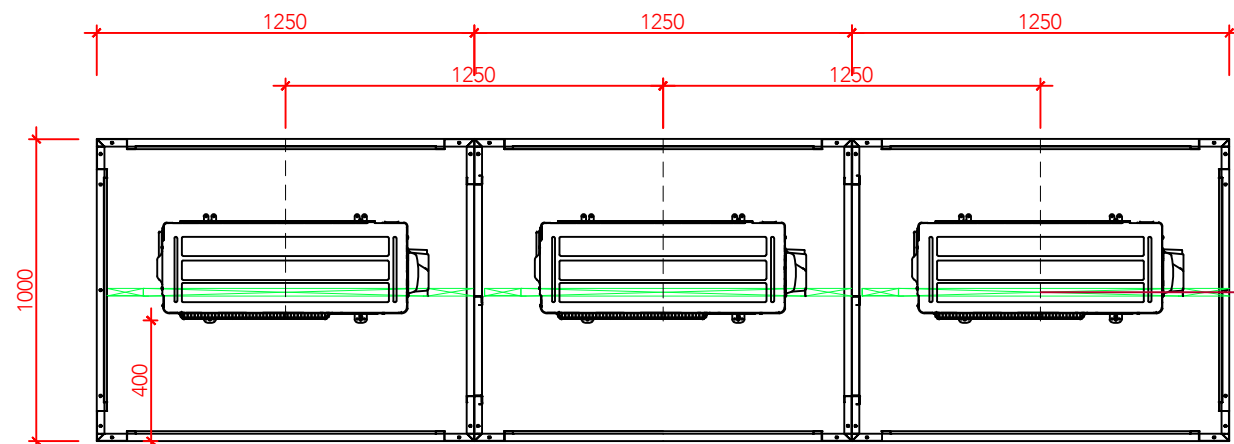
SIDE ELEVATION



SECTION A-A



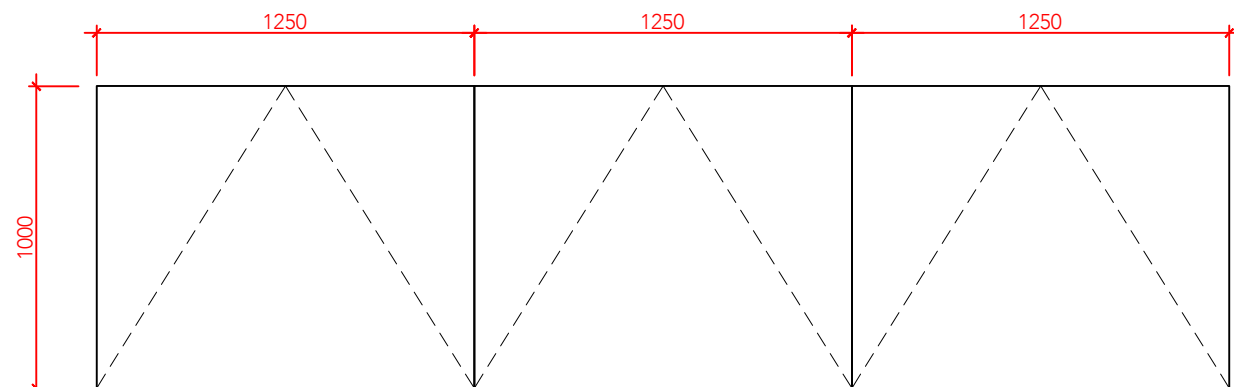
SECTION B-B



SECTION C-C

Plenum Division Panels Shown in Green

- 1. LOUVRED FRONT & REAR PANELS
- 2. SOLID SIDE PANELS
- 3. SLOPING ROOF PANELS
- 4. DIVISION WALLS BETWEEN EACH AC UNIT
- 5. AC SUPPORT FEET WITH DRIP TRAY AND DRAIN OUTLET



TOP ELEVATION



This drawing is protected under Copyright and at no time should any portion of this drawing be reproduced or copied without the permission of the Architect. (Design Copyright Act 1968)

This drawing must not be used for purposes other than that for which it is provided. It is supplied without liability for any errors or omissions.

Drawings only to be scaled for planning application purposes, all dimensions to be checked on site. All drawings subject to Statutory Authority Approval.

Notes

No	Rev	Date
1	PLANNING	10.07.23

Status
PLANNING



ARCHITECTS + INTERIOR DESIGNERS

91A - 91B HEATH STREET
LONDON NW3 6SS
Tel 020 7 636 3838

INFO WWW.TG-STUDIO.CO.UK

Project
26 NETHERHALL GARDENS
NW3 5TL

Date	10.07.23	Scale @ A3	1:25
------	----------	------------	------

Drawing
AIR SOURCE HEAT PUMP
ENCLOSURE DETAIL

Drawn by	AL	Checked by	TG
----------	----	------------	----

Job No.	263	Dwg No.	P-500	Rev	1
---------	-----	---------	-------	-----	---