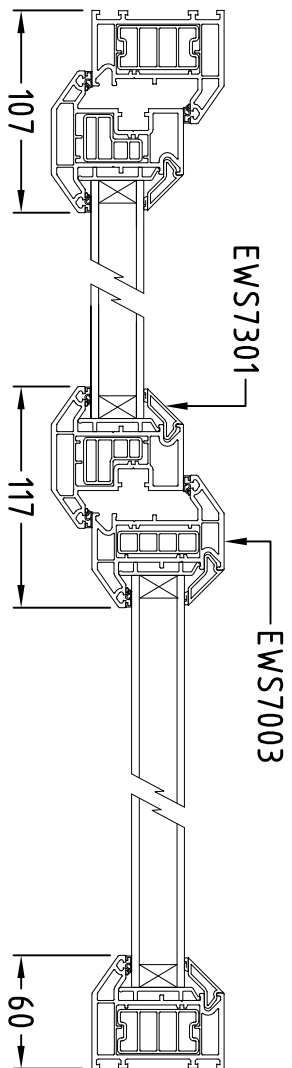
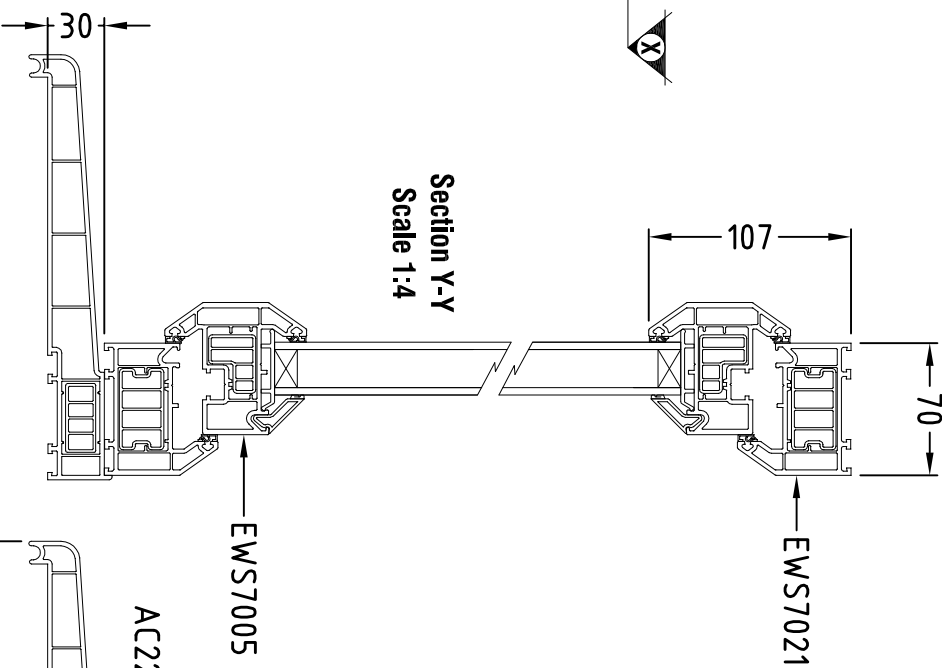


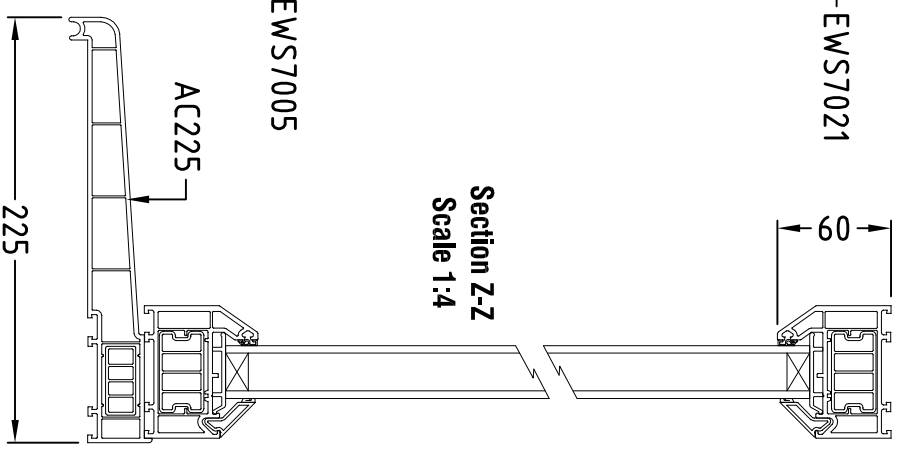
**Section X-X**  
Scale 1:4



**Section Y-Y**  
Scale 1:4



**Section Z-Z**  
Scale 1:4



**Sightline @ Scale 1:10**

