

London Borough of Camden

Telephone Kiosk Upgrade

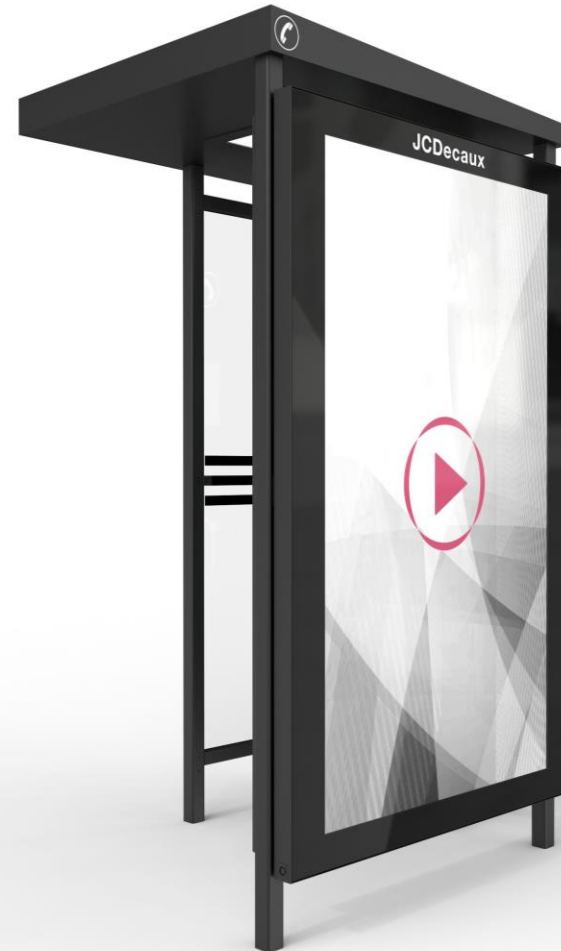
KIOSK DETAIL

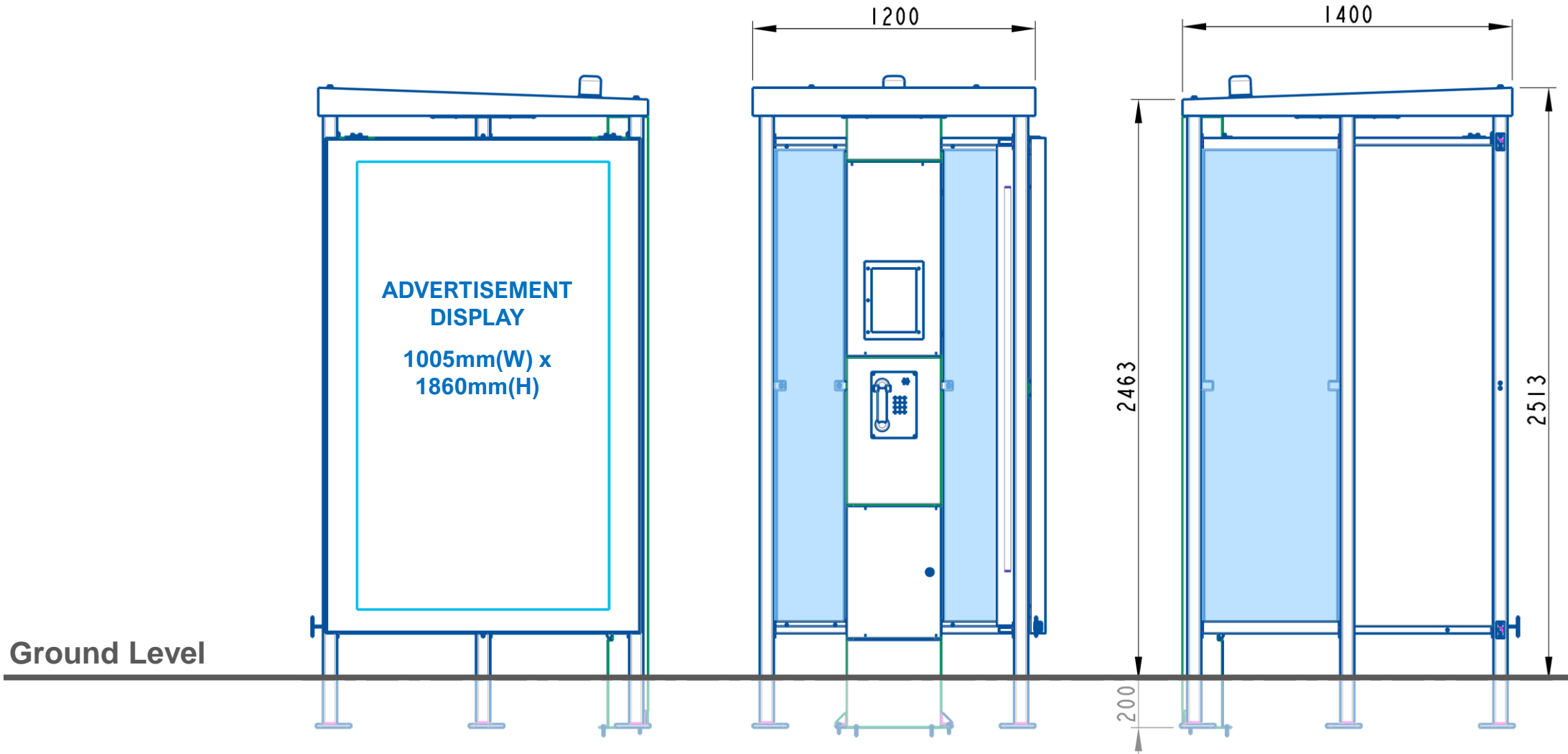


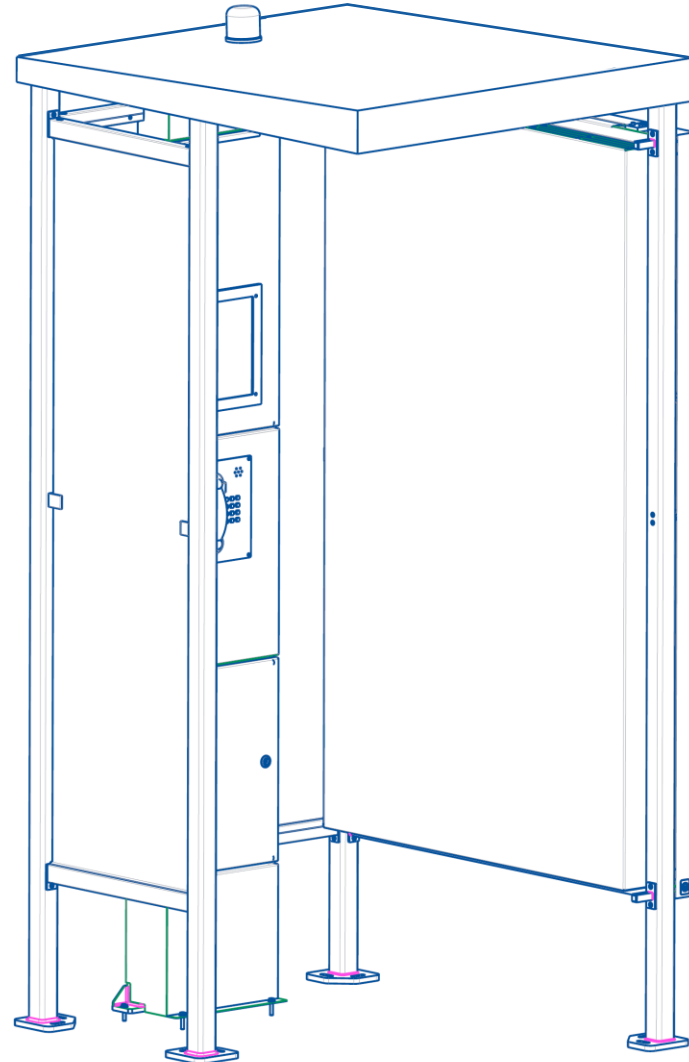
JCDecaux

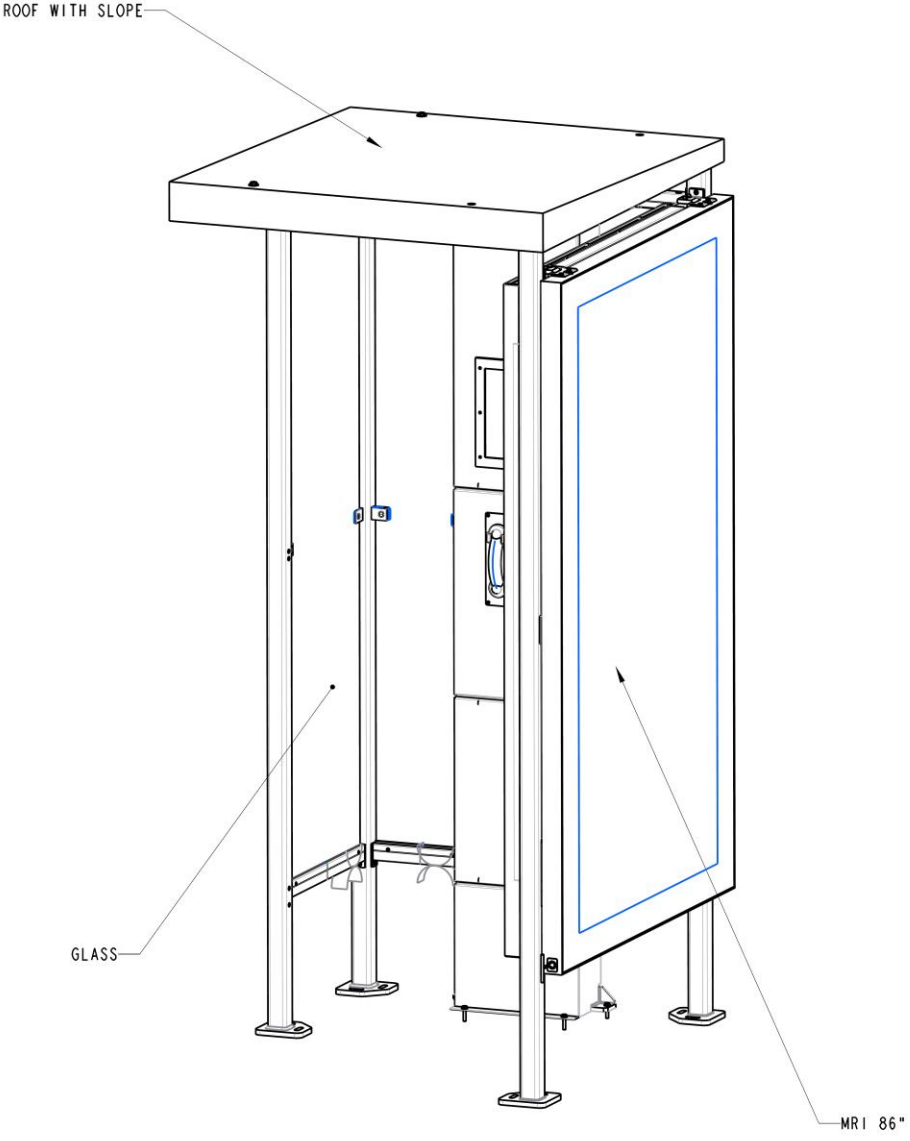
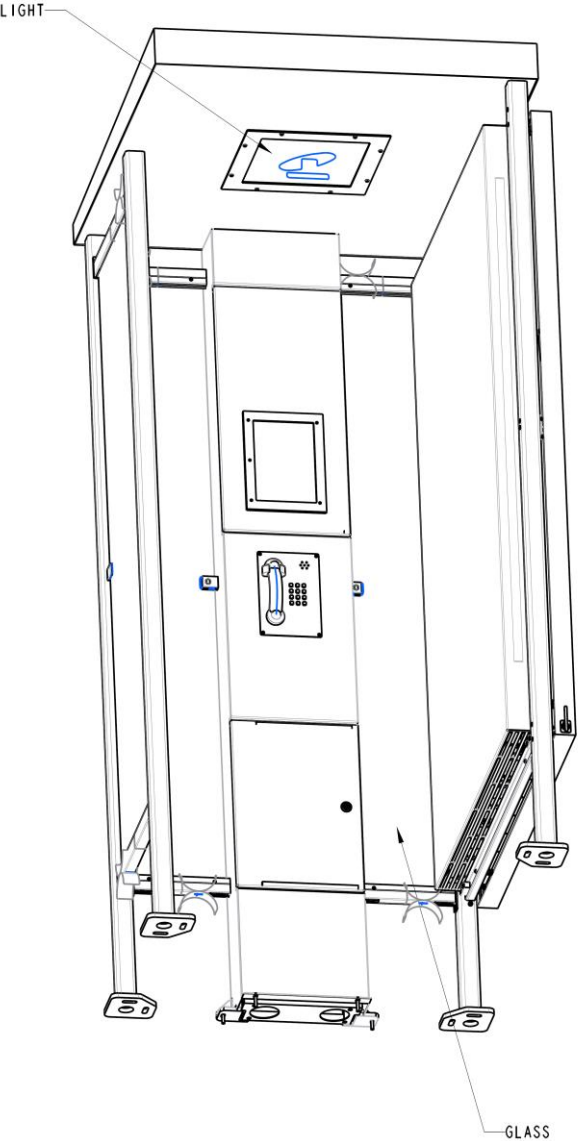
Infocus Telephone Kiosk

Updated Kiosk Unit with LCD Display









GENERAL PRODUCT INFORMATION

Performance

- Optional AR (Anti-Reflective) laminated cover glass to improve image visibility
- Displays superior quality content that atomically programmed to change at intervals due to the high resolution of the screen
- Maximum brightness is 400Cdm² at night in line with the Institute of Lighting Professionals recommendations
- This product has been designed to optimize manufacturing and operational costs and minimise waste

Robustness and Durability

- The product has been specially designed for direct outdoor use in a wide range of environment and temperature variations to display crisp images
- Unit brightness levels is unaffected by extreme temperatures and does not degrade over time.
- Bumper units are available to protect the base of the unit from collisions

Certifications

CE

Manageability

- Extensive monitoring capability to be fully programmable in content
- In-built intelligent monitoring/control and maintenance features
- Option to locate PC player in remote location

Modularity

- Modular design for simple on-site service and construction
- Product available for two sided use and also available with a single advertising side and blank reverse facade

Vandalism

- Front-face in laminated tempered glass to withstand impact
- Furniture opening guaranteed by the use of special keys
- Screws and fixing gears are invisible
- Furniture built with unalterable materials

SPECIFICATION

Installation

- Tested in factory before shipment
- Easy to install with direct foundations on the floor (using chemical anchors)
- Transported fully assembled, to facilitate on site installation

Sustainable Development

- Power efficient: Lower power consumption due to dynamic dimming control that uses approximately 30-40% less energy and minimizes the impact on the environment.
- Furniture is mainly built with long life and recyclable materials.

Display Panels

Size	86"
Resolution	3840 x 2160
Brightness	Nighttime max 300Cdm ²
Angle of Visibility	H 178° V 178°
Contrast ratio	7000:1
Display colour	72% of NTSC colour gamut
Backlight technology	Direct LED
Number of colours	1,064 Billion

Operating Conditions

Temperature	min -30°C max 50°C
Humidity	5%-100%
Orientation	Portrait

Weight and Dimensions

Global	1210(W) x 1955(H) x 60(D)mm
Visible	1005(W) x 1860(H) mm
Visible area	2 m ²
Weight	510 kg
Screen aspect ratio	16/9

Electricity

Input Voltage	AC 190-240 V 50/60hz
Max Power	3.94kWh
Average Consumption	8.91kWh/day (based on 18hr day)