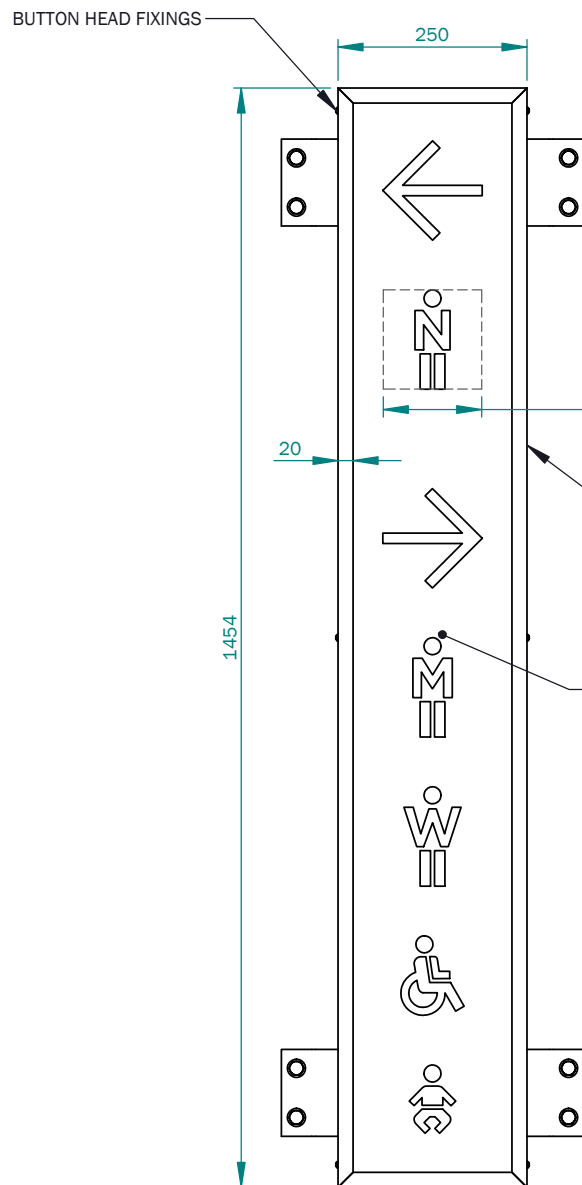
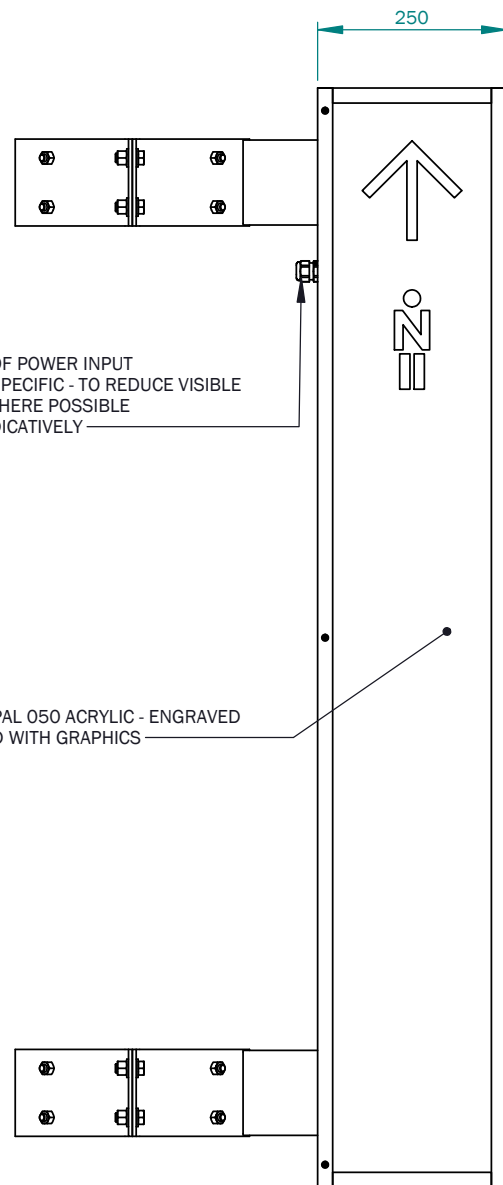


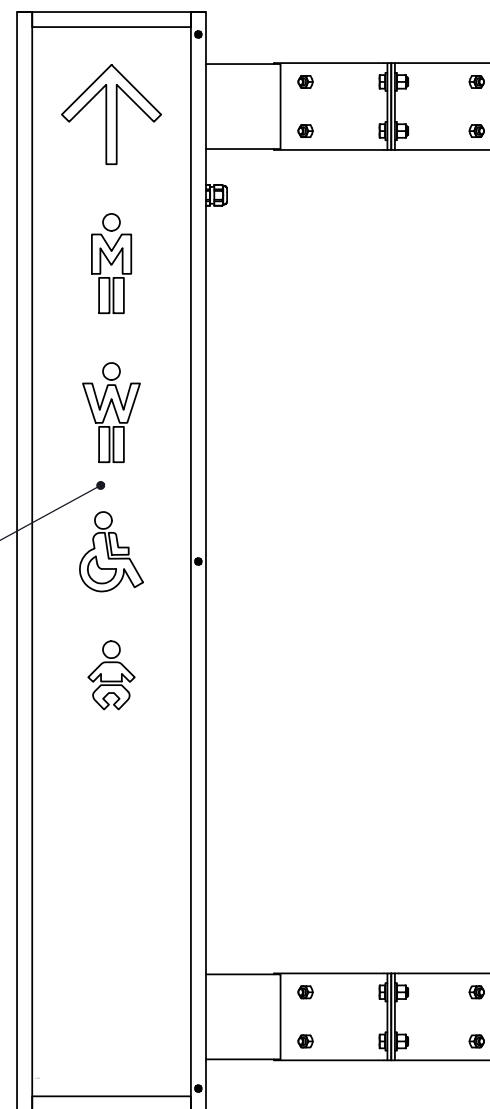
PLAN VIEW
SCALE_1 : 10



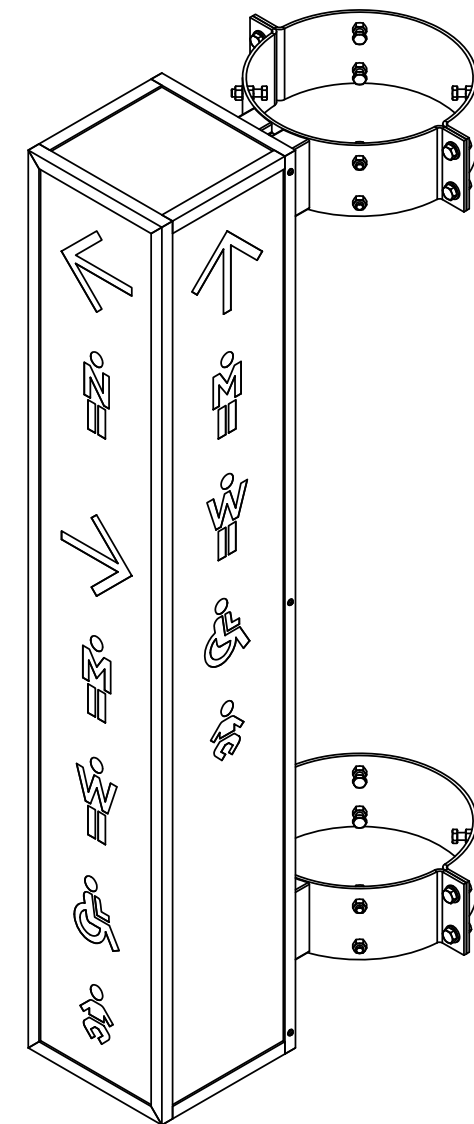
FRONT ELEVATION
SCALE_1 : 10



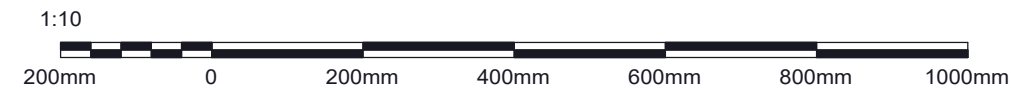
SIDE ELEVATION
SCALE_1 : 10

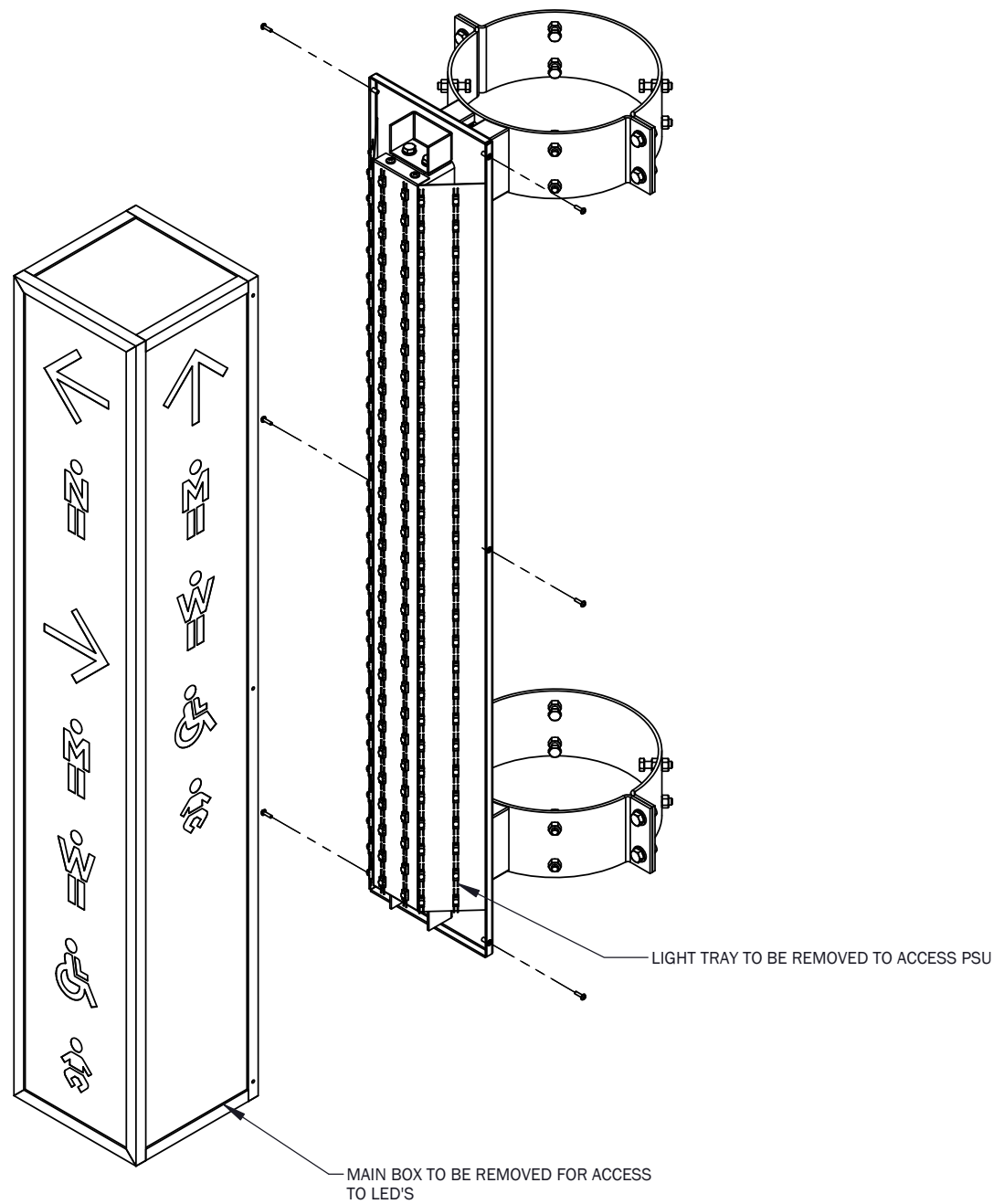


SIDE ELEVATION
SCALE_1 : 10

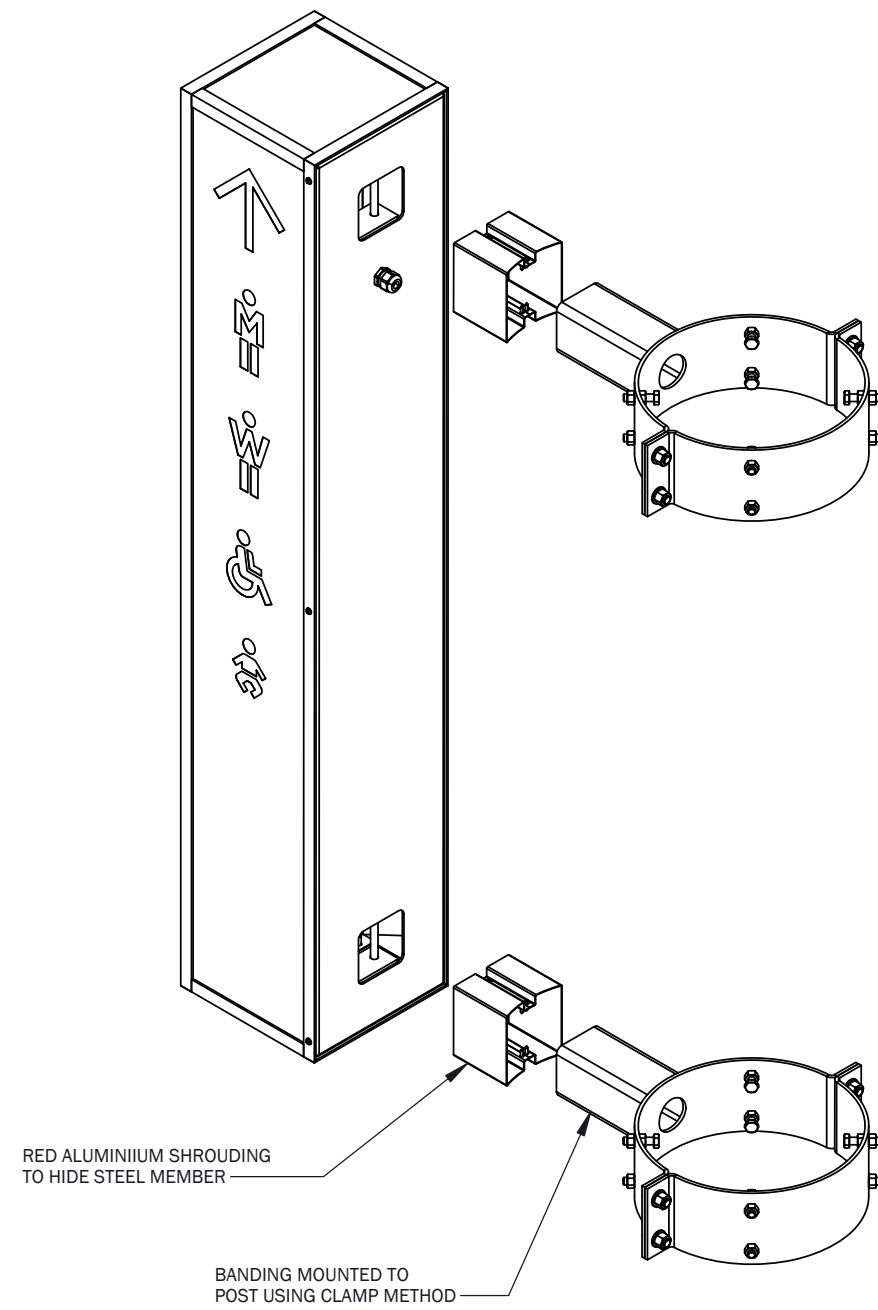


ISOMETRIC VIEW
SCALE 1 : 10

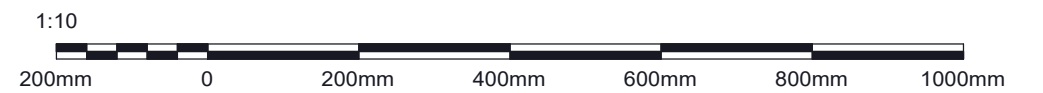




EXPLODED VIEW
SCALE_1 : 10

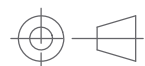


EXPLODED VIEW
SCALE_1 : 10



PORTLAND.

LINEAR DIMENSION / TOLERANCE :
 ≤1000 / ±1.0
 >1000 / ±2.0



CLIENT :
 ARGENT
 PROJECT :
 EXTERNAL SIGNAGE
 SITE REFERENCE :
 COAL DROPS YARD

PRODUCT TYPE :
 SIGNS - DIR_01
 PAGE TITLE :
 EXPLODED VIEWS
 DRAWING / DOCUMENT NO :
 CD-ARG-DES27339-DIR-01

PAGE:
 2/2

DESIGN STATUS :
NOT FOR CONSTRUCTION

BY: SCALE @ A3 :
 RC AS SHOWN

REV: B DATE: 16.05.23