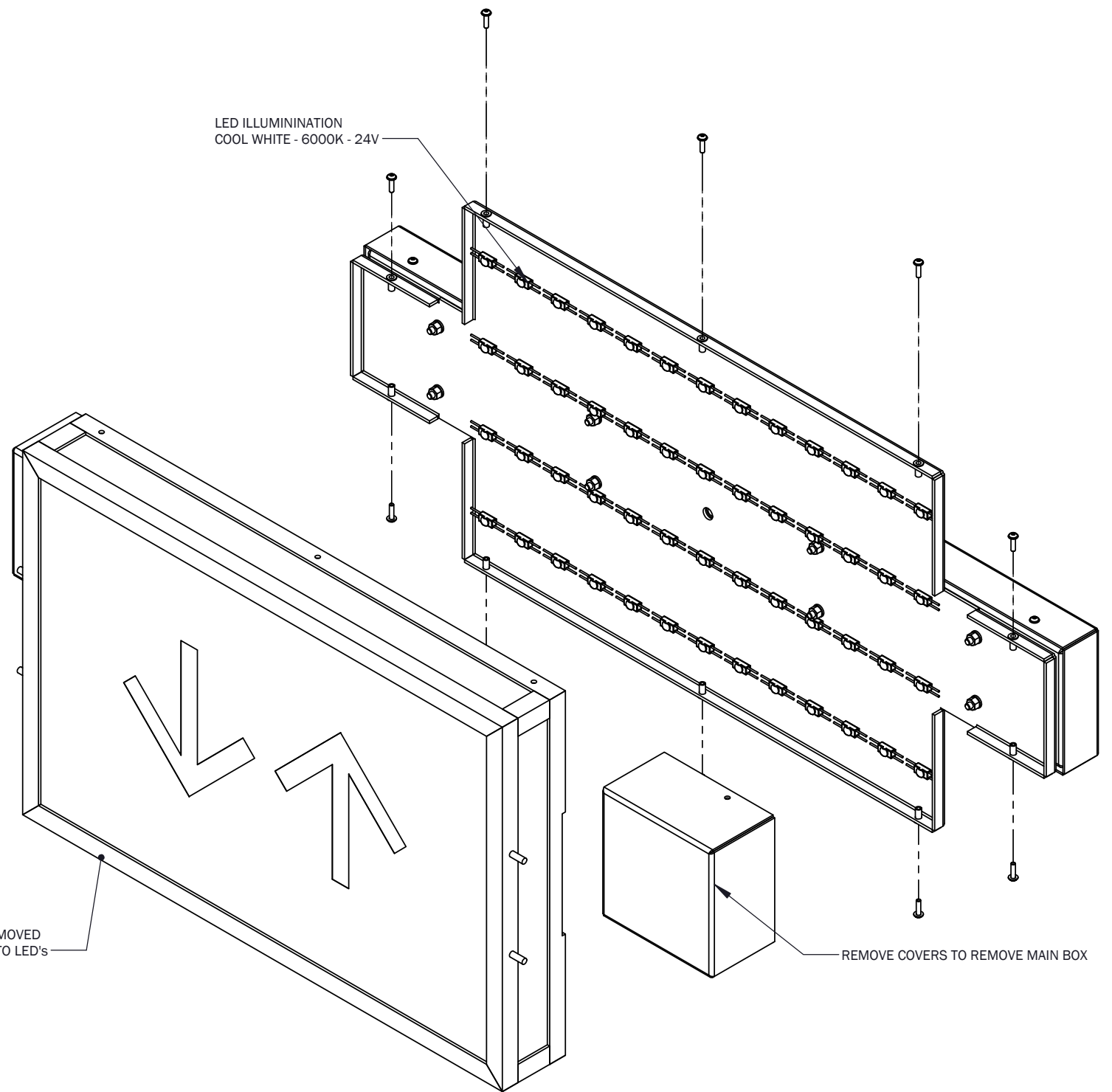
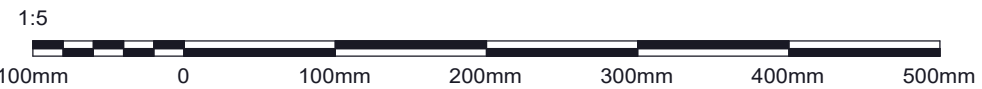


REAR EXPLODED VIEW
SCALE_1 : 5



FRONT EXPLODED VIEW
SCALE_1 : 5



PORTLAND.

LINEAR DIMENSION / TOLERANCE :
 ≤1000 / ±1.0
 >1000 / ±2.0



CLIENT :
ARGENT

PROJECT :
EXTERNAL SIGNAGE

SITE REFERENCE :
COAL DROPS YARD

PRODUCT TYPE :
IDENTIFICATION SIGN TYPE - ID02

PAGE TITLE :
EXPLODED VIEWS - A

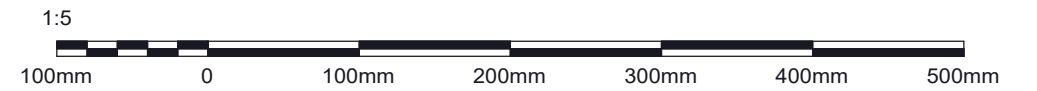
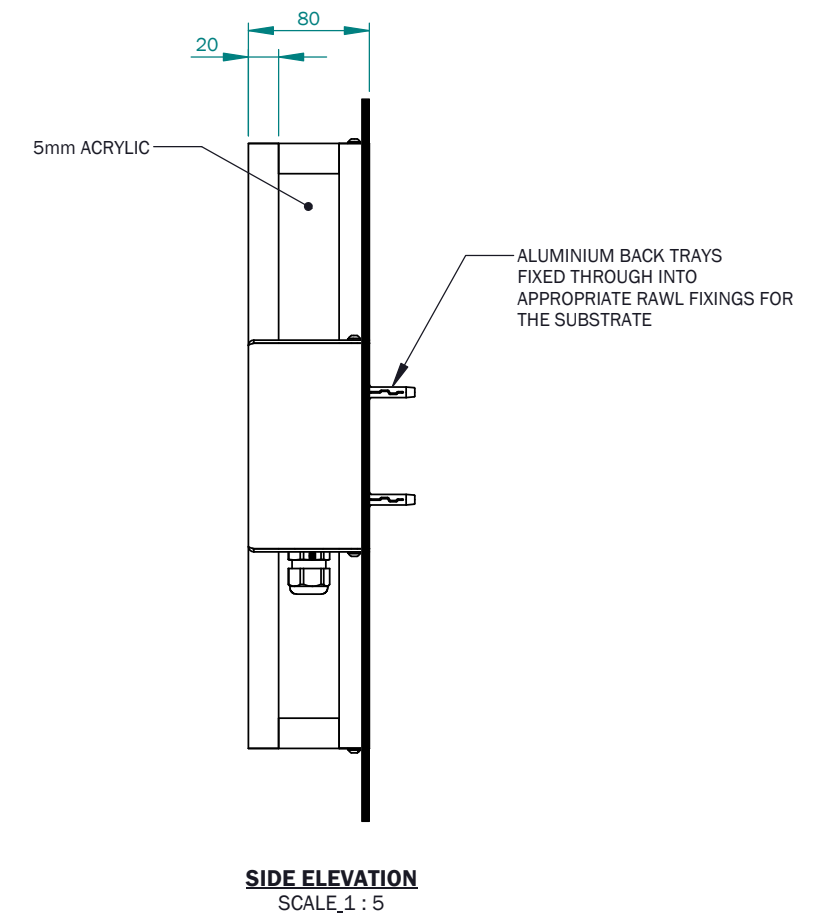
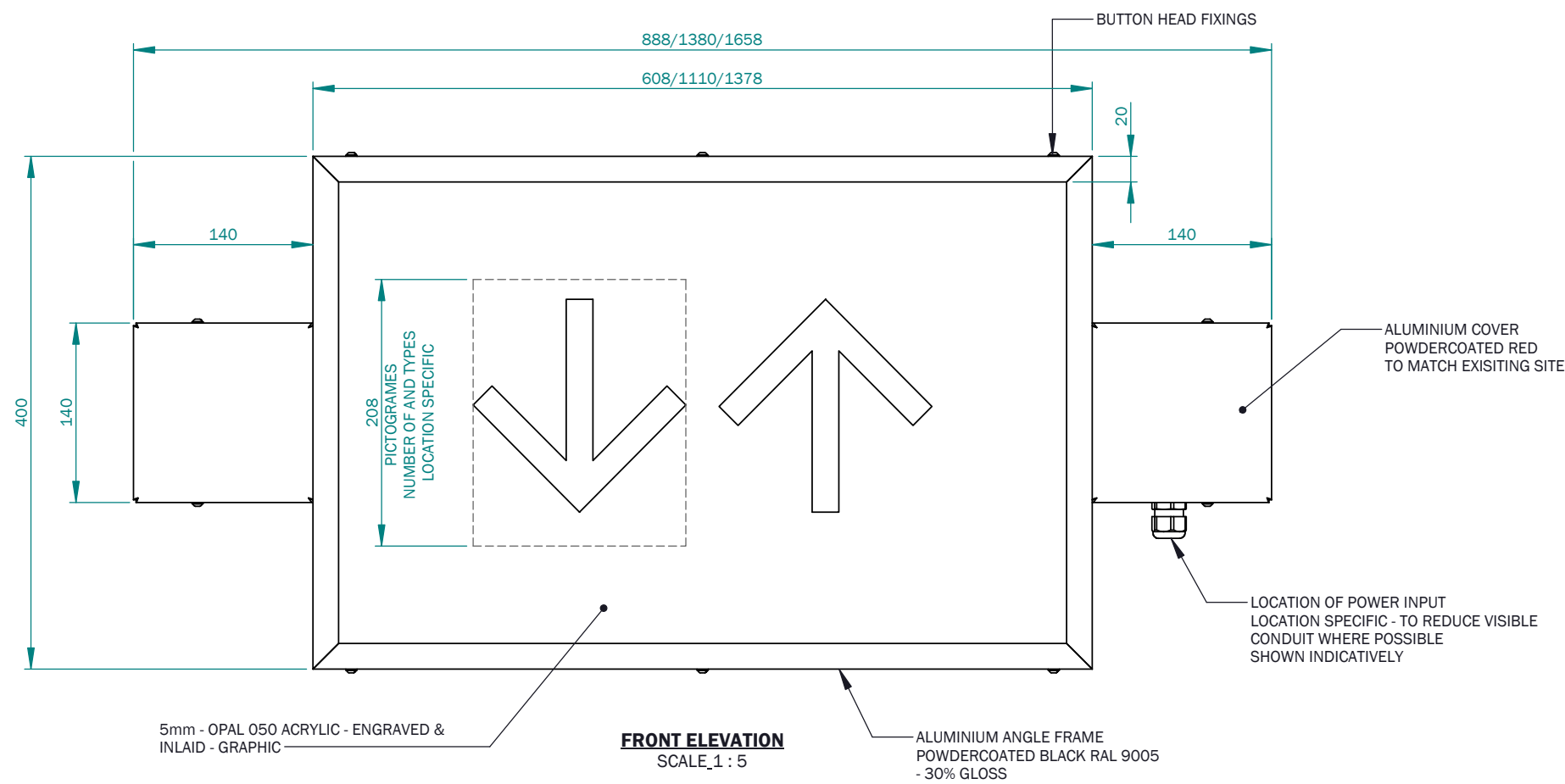
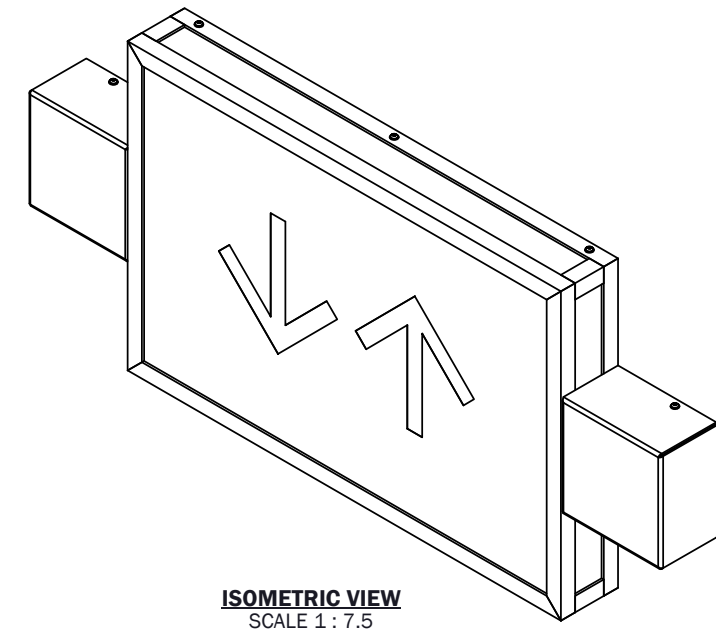
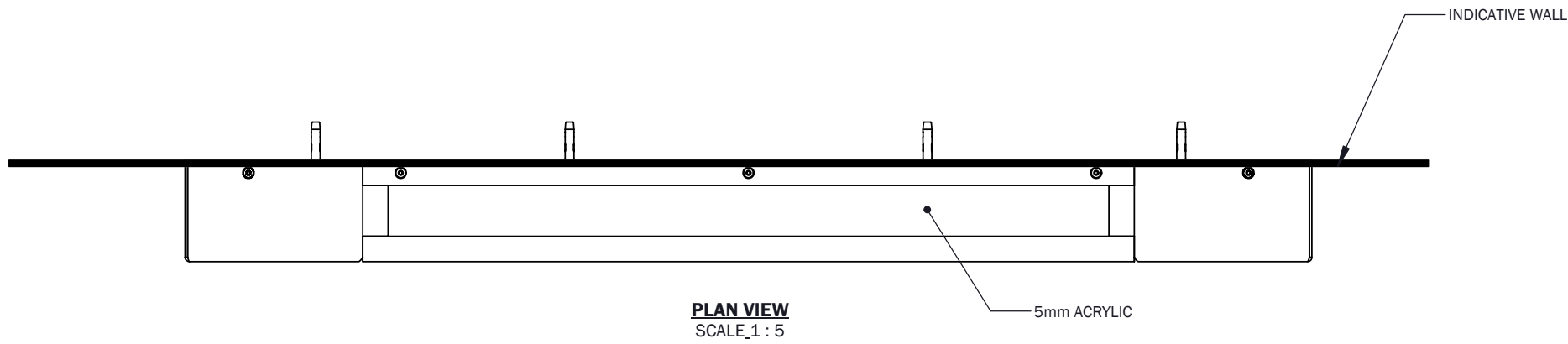
DRAWING / DOCUMENT NO :
CD-ARG-DES27339-ID-02

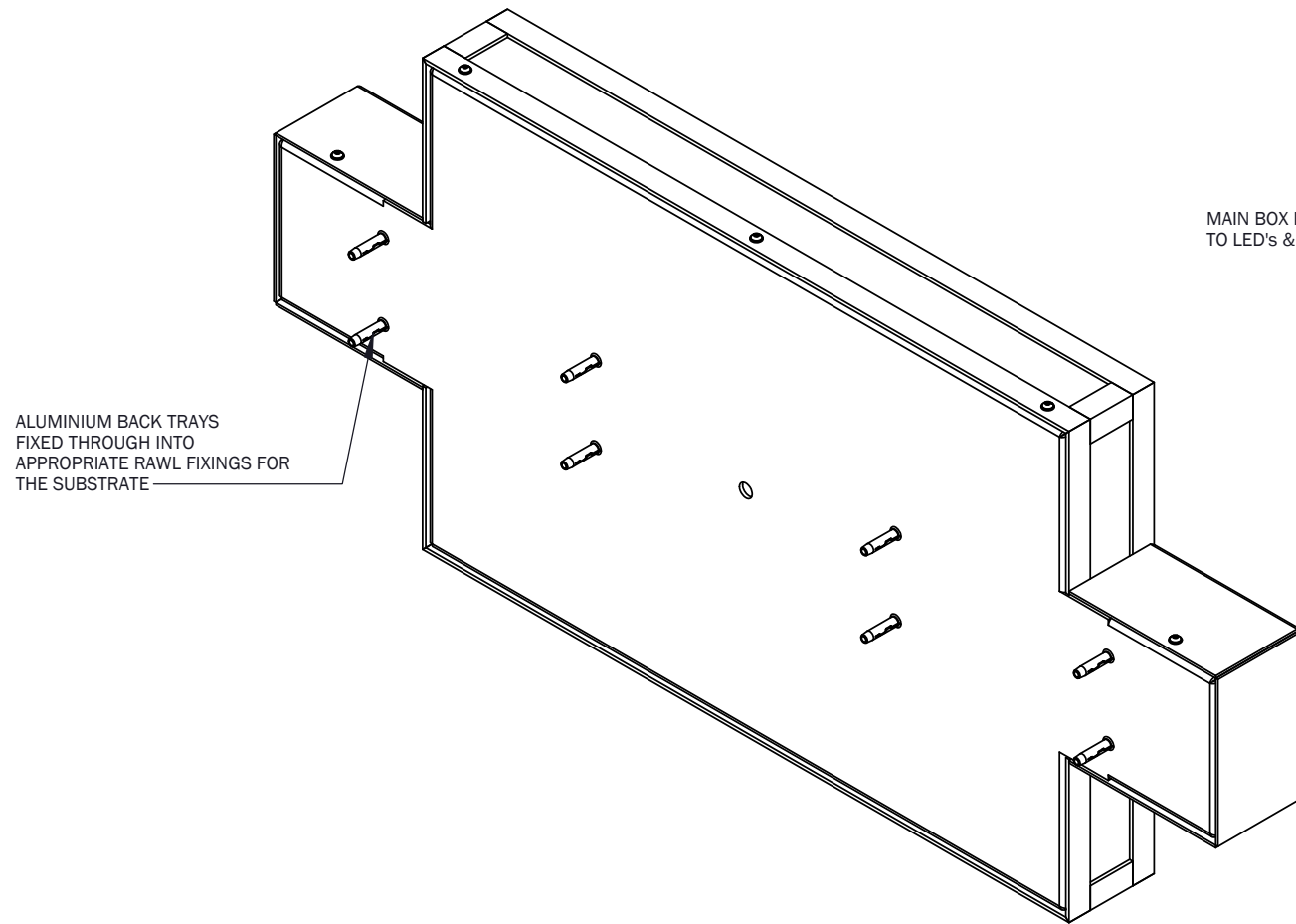
PAGE:
2/4

DESIGN STATUS :
NOT FOR CONSTRUCTION

BY: SCALE @ A3 :
RC AS SHOWN

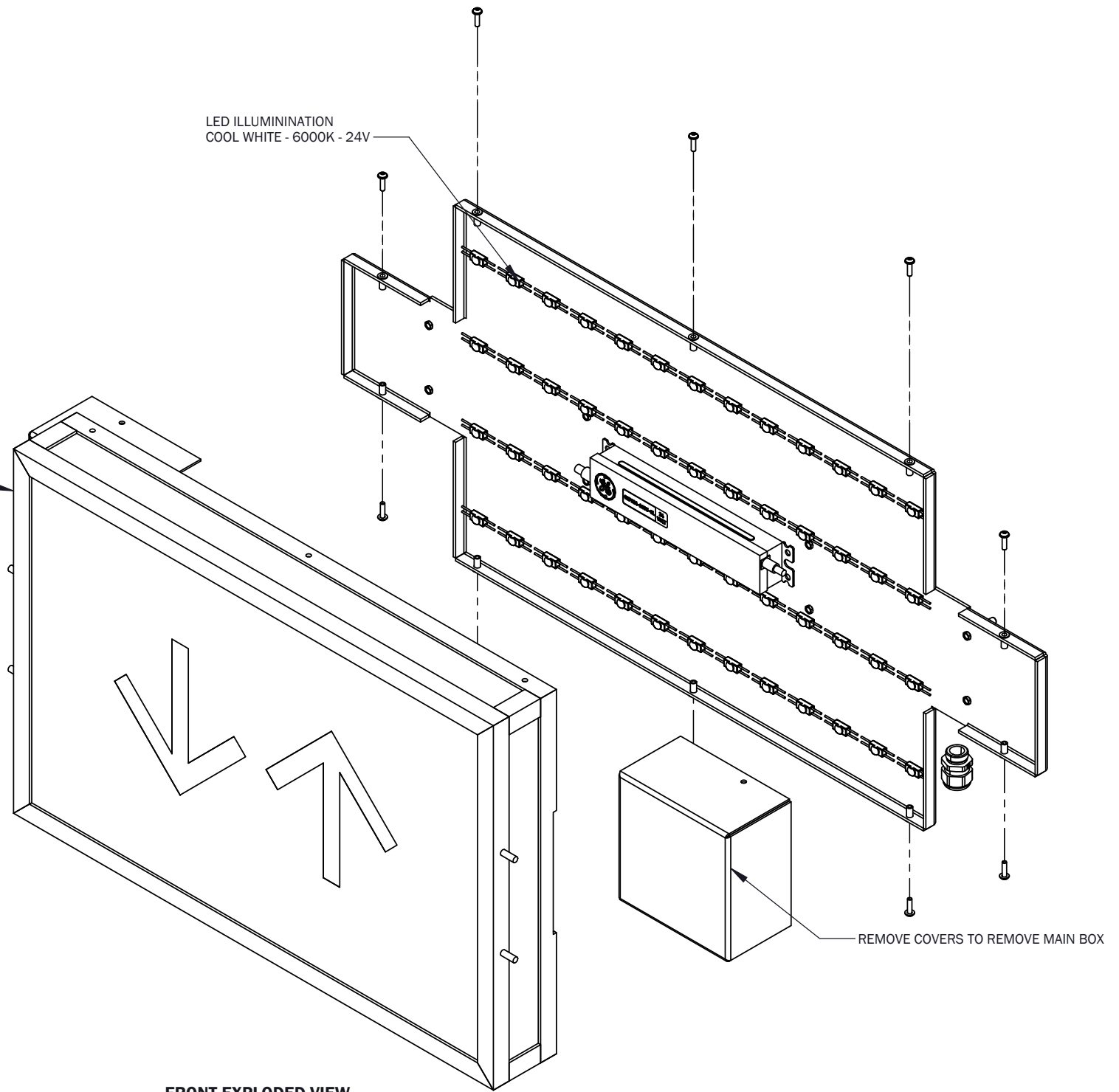
REV: C DATE: 16.05.23





REAR ISOMETRIC VIEW
SCALE_1 : 5

MAIN BOX REMOVED FOR ACCESS
TO LED'S & PSU



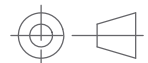
FRONT EXPLODED VIEW
SCALE_1 : 5

1:5



PORTLAND.

LINEAR DIMENSION / TOLERANCE :
≤1000 / ±1.0
>1000 / ±2.0



CLIENT :
ARGENT
PROJECT :
EXTERNAL SIGNAGE
SITE REFERENCE :
COAL DROPS YARD

PRODUCT TYPE :
IDENTIFICATION SIGN TYPE - ID02
PAGE TITLE :
EXPLODED VIEWS - B
DRAWING / DOCUMENT NO :
CD-ARG-DES27339-ID-02

PAGE:
4/4

DESIGN STATUS :
NOT FOR CONSTRUCTION

BY: SCALE @ A3 :
RC AS SHOWN

REV: C
DATE: 16.05.23