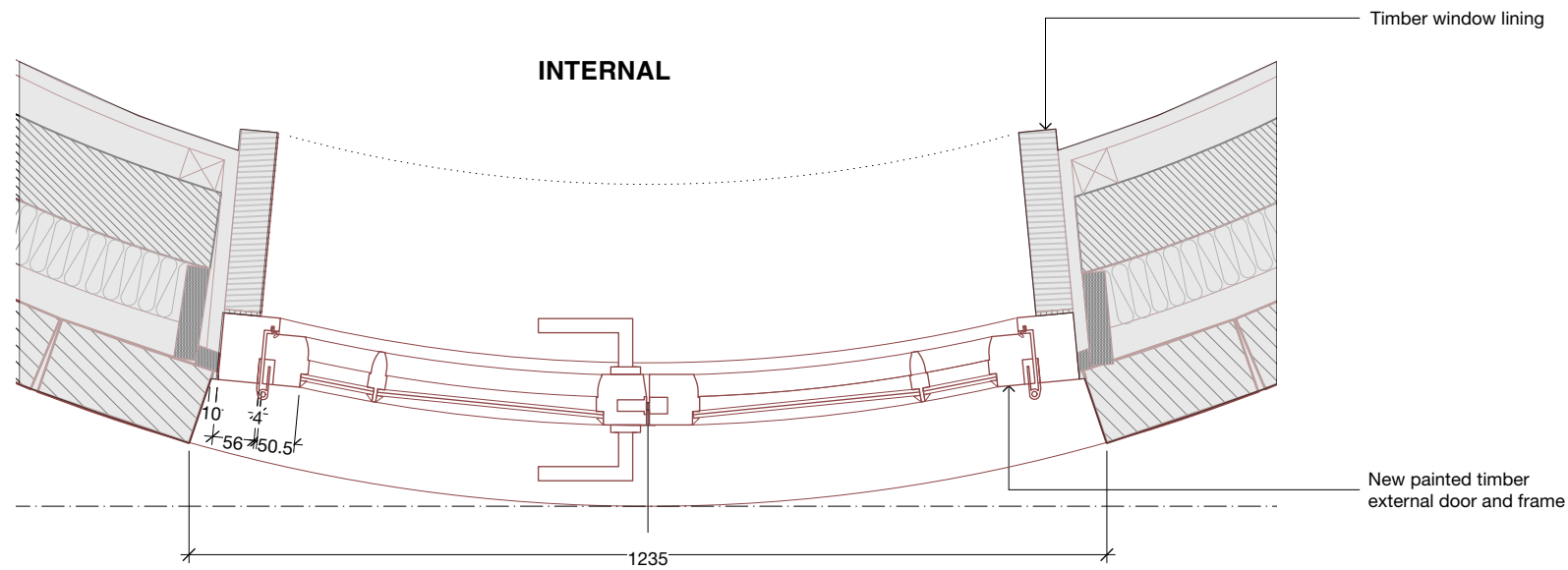


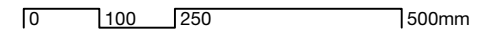
EXTERNAL

Jamb details: SH ED01 & ED02



EXTERNAL

Jamb details: SH ED03, ED04, ED05



31/44
Architects

6 Osborn Street
London
E1 6TD
United Kingdom
+44 (0)20 3735 7820
London@
3144architects.com

Client
No.5 The Grove

Project
The Grove

Date
26/10/2022

Drawing name
SH ED01-ED05 Typical Glazed Door
Jamb

Drawing number

44/2022/PL 3006

Status
PLANNING

Drawn Checked
JH JH

Scale / Format
1:10 / A3

Rev.	Date	Description	Drawn / Checked

© 31/44 Architects

Do not scale from this drawing.
All dimensions to be verified on site.
This drawing is to be read in conjunction with all consultants information.
Any discrepancies to be reported immediately to the Architect.

Drawing may be scaled for planning purposes.