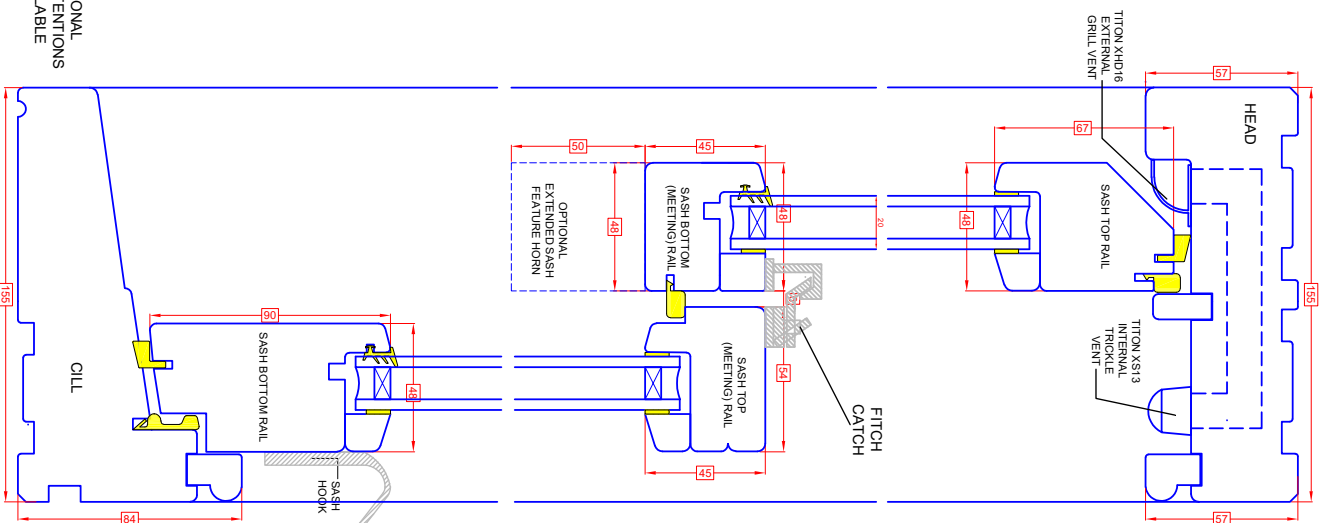
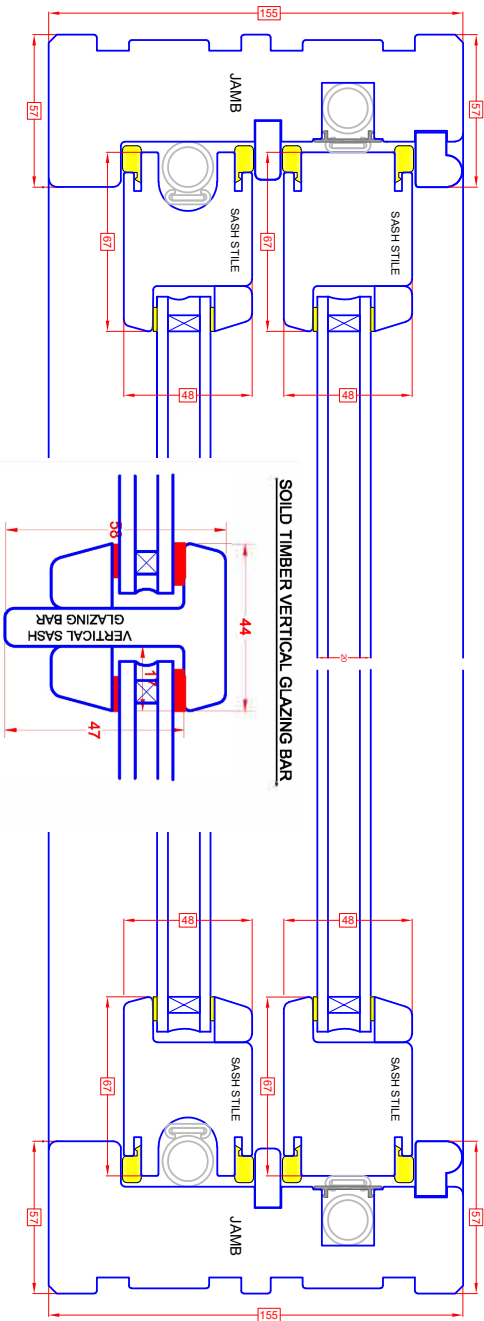


SECTION A-A
VERTICAL SECTION



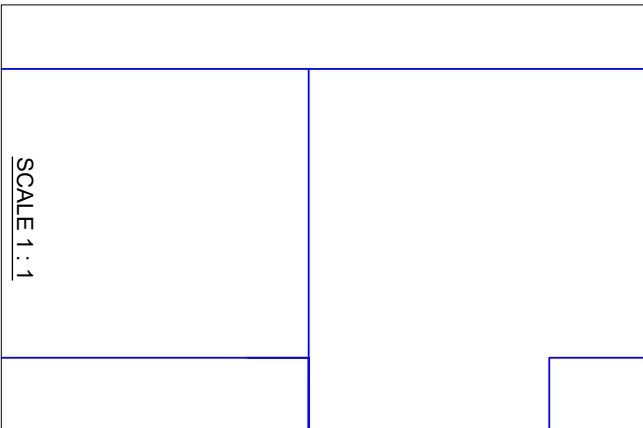
OPTIONAL
CILL EXTENSIONS
AVAILABLE

SECTION B-B
HORIZONTAL SECTION

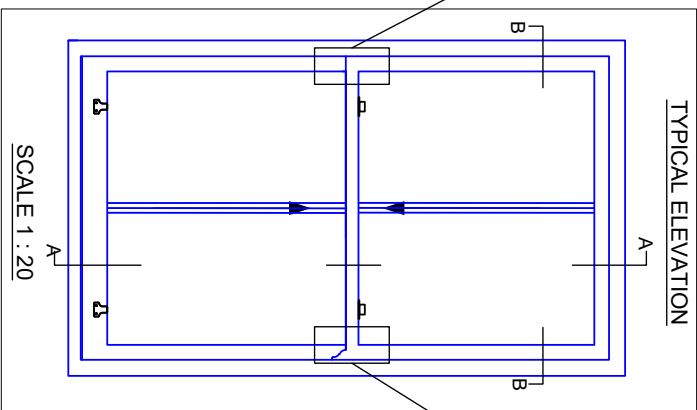


RICHMOND (VERTICAL SLIDE) SPIRAL BALANCE WINDOW
INTERNALLY GLAZED - 1 TO 2 SECTIONS

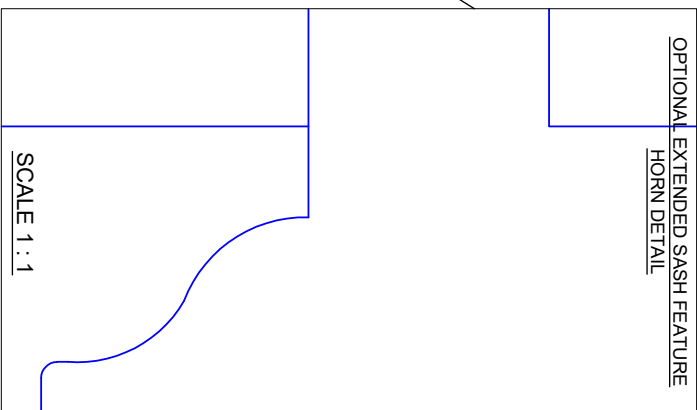
STANDARD CONFIGURATION
(WITHOUT EXTENDED SASH FEATURE HORN)



TYPICAL ELEVATION



OPTIONAL EXTENDED SASH FEATURE
HORN DETAIL



DRAWING NO.:	20751D01	REV.:	
TITLE:	RICHMOND (VERTICAL SLIDE) SPIRAL BALANCE WINDOW		
PROJECT:	INTERNALLY GLAZED 1 TO 2 SECTIONS		
SCALE @ A3:	1 : 2	DATE:	06/05/21
		DRAWN BY:	SP