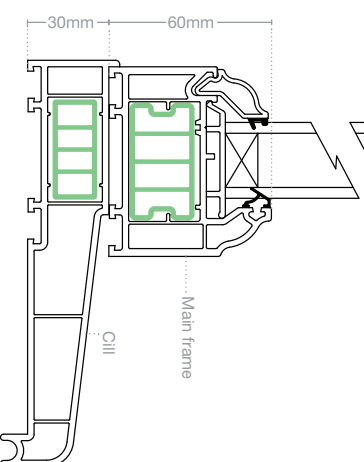
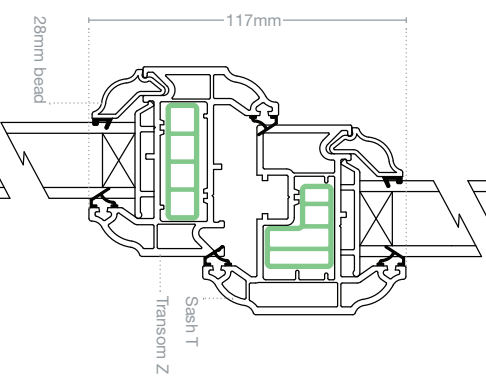
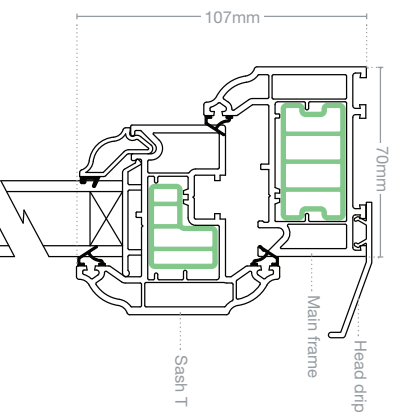
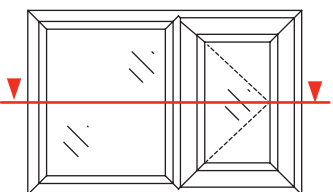


Product specification Logik casement windows



LOGIK STANDARD CASEMENT DOUBLE GLAZED OUTWARD OPENING, INTERNALLY GLAZED

Profiles

- Eurocell logik 70mm system
- Standard outer frame

Reinforcements

- PVC-U Thermal Inserts

Cill options

Standard: 85mm (130mm*), 150mm (195mm*) and 180mm (225mm*)

* When used with cill extender

Accreditations

- Eurocell logik profile system is BBA certified
- BS EN 12608, BS 7412, BS 6375, BS 7950

Style



Ovolo

Colour options

Standard colours



Min / max sizes

If the windows are to be manufactured are outside these sizes, please consult Eurocell's technical department.

System	Width (mm)	Height (mm)
Casement windows (top hung) Espag	Max: 1200 Min: 320	Max: 1350 Min: 375
Casement windows (side hung)	Max: 750 Min: 400	Max: 1500 Min: 320
All fixed sizes (fixed)	Max: 3000 (combined width & height 5400)	Max: 2400

THERMAL PERFORMANCE

System	Config	Glass 1 (external)	Glass 2 (internal)	Gas fill	Spacer bar	Reinforcing	WER	Energy Index	U Value
logik	4/20/4	Float	SG Plantherm Total Plus	Argon	Swisspacer V	PVC-U-TI	A	3	1.4
logik	4/20/4	Pilkington Optiwhite	Pilkington K OW	Argon	Superspacer	PVC-U-TI	A	4	1.5
logik	4/20/4	Float	SG Plantherm Total Plus	Air	Aluminium	PVC-U-TI	G	- 20	1.7

Note: The above calculations should be used for guideline purposes only. Other options also available. To have logik with standard outerframe and double glazing performance simulated, please contact Eurocell's technical department.