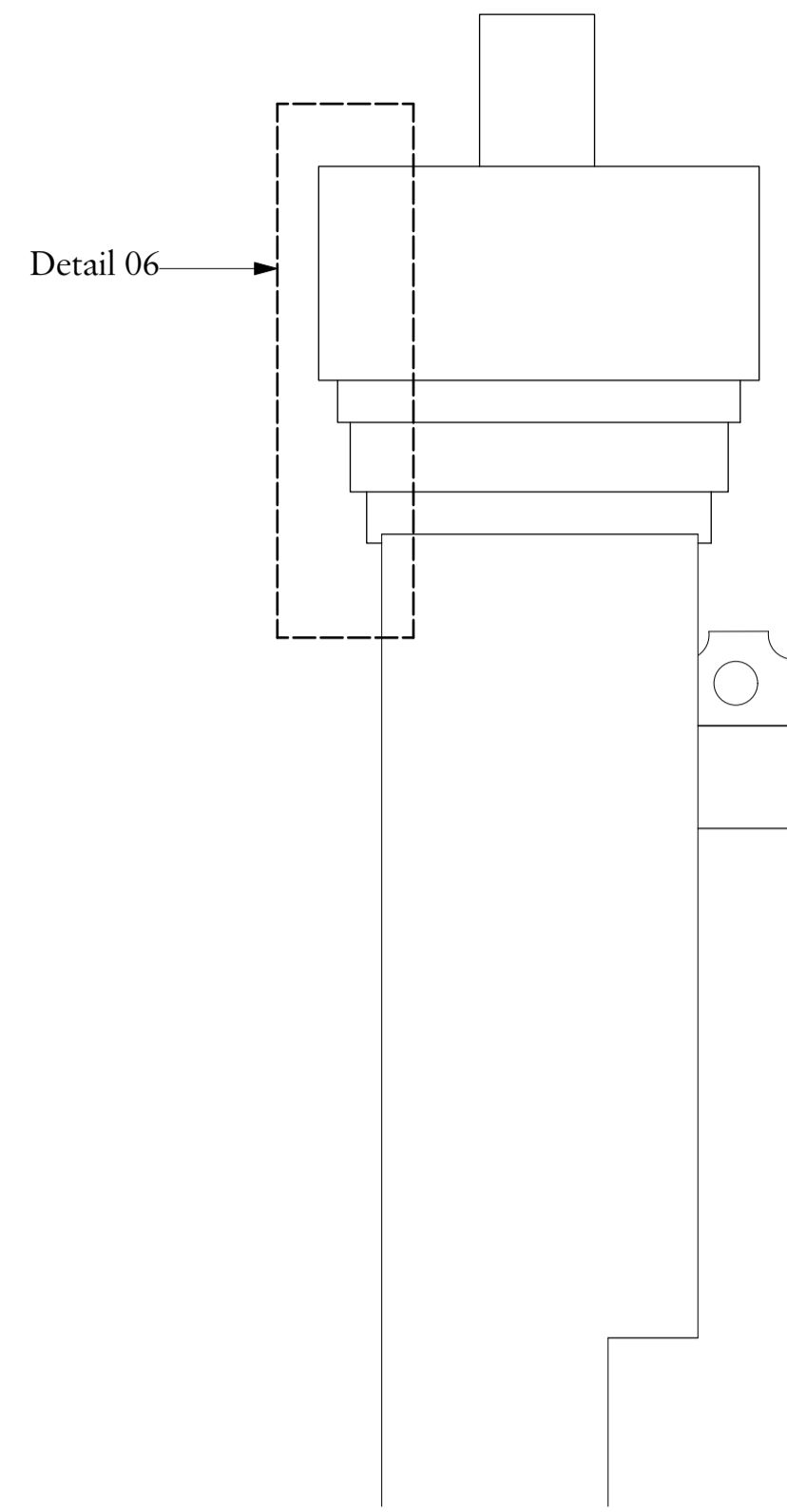


Important note

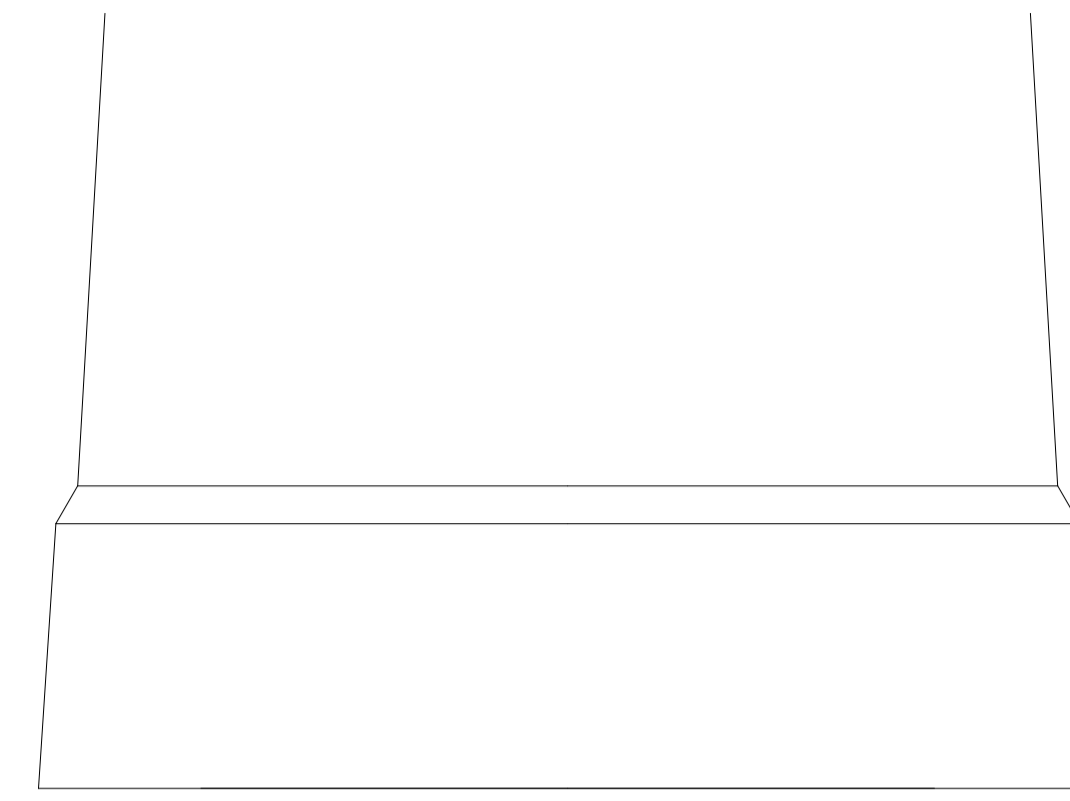
All dimensions in millimetres. Where dimensions are not given, drawings must not be scaled and the matter referred back to Charlton Brown Architects.

All dimensions and conditions are to be checked on site by the contractor prior to preparing drawings or commencing any work. The contractor is responsible for checking that there is no conflict between site dimensions and drawn dimensions.

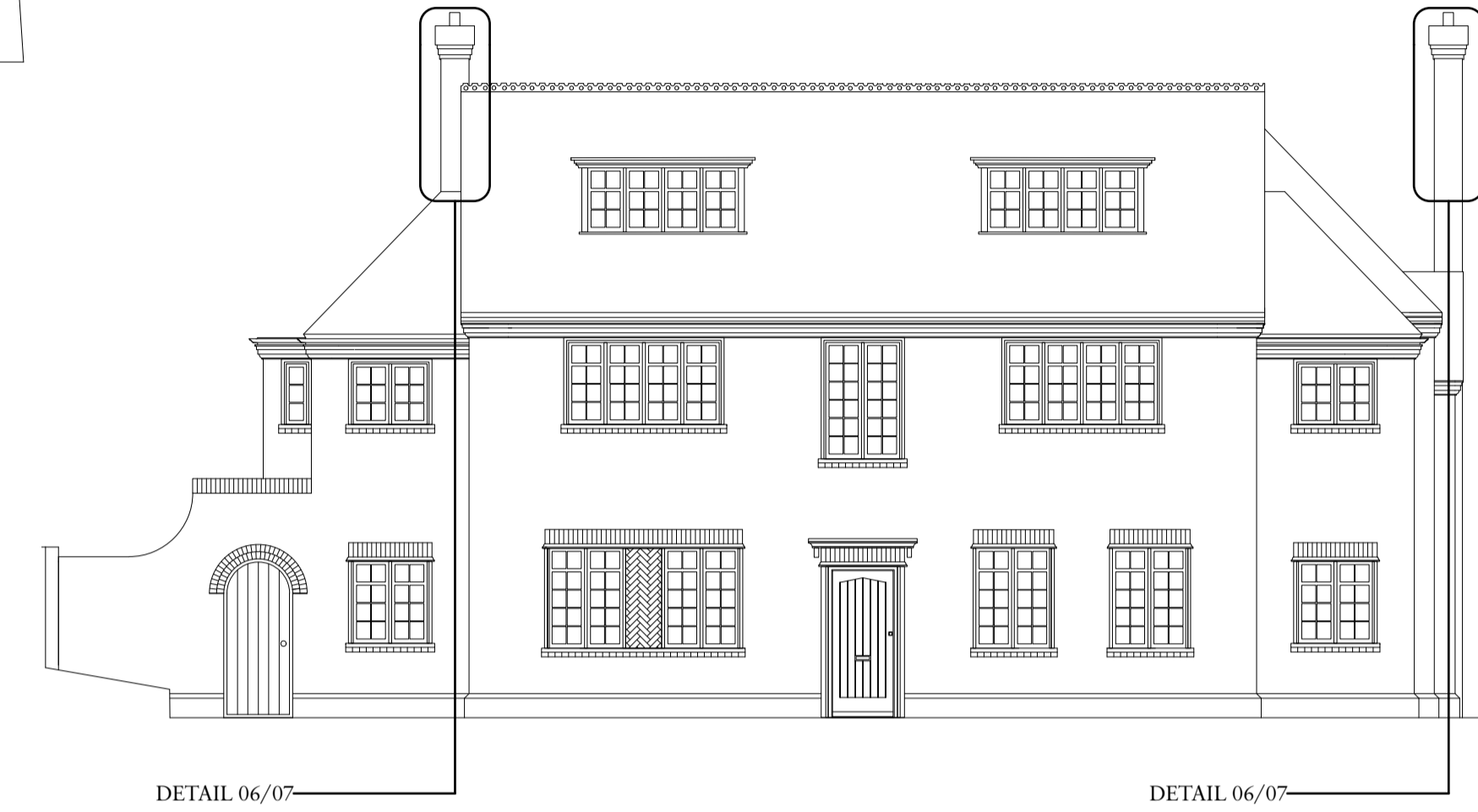
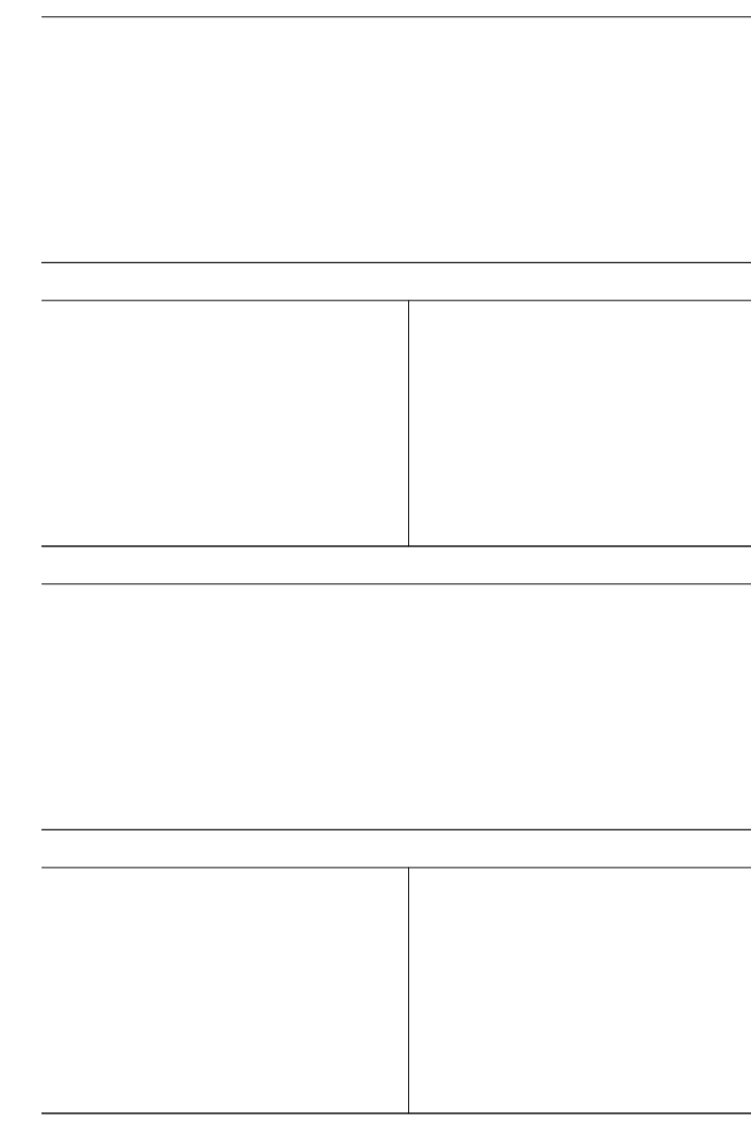
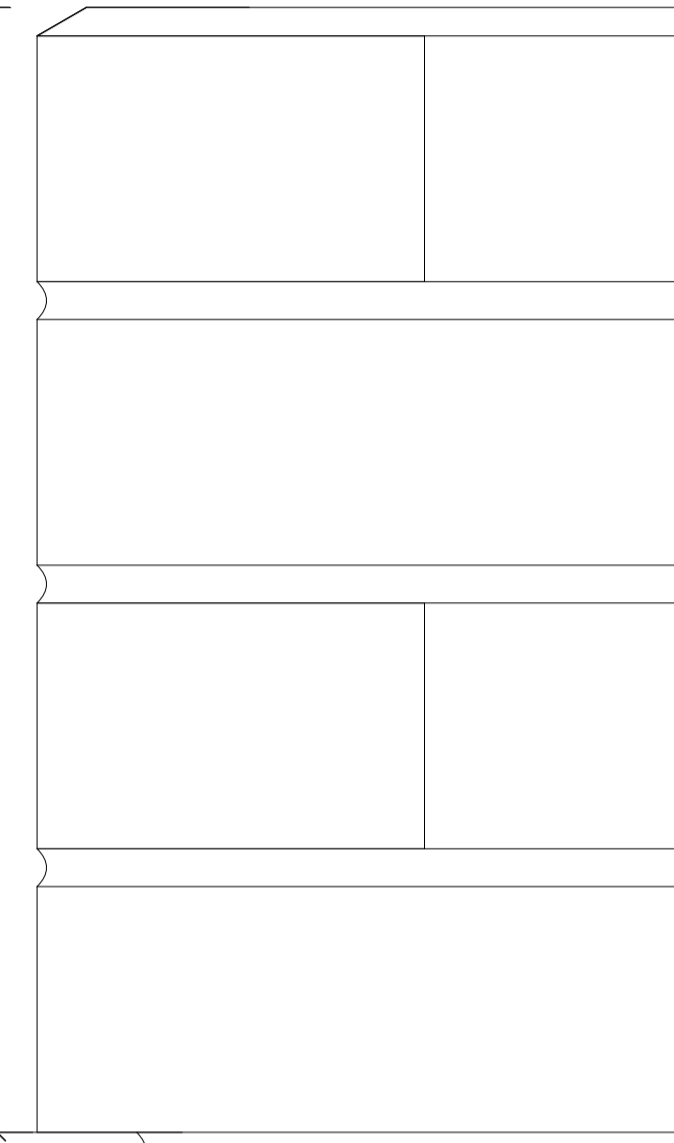
In the event of any detail or dimensional conflict between Charlton Brown Architects drawings, the matter must be referred back to Charlton Brown Architects for clarification



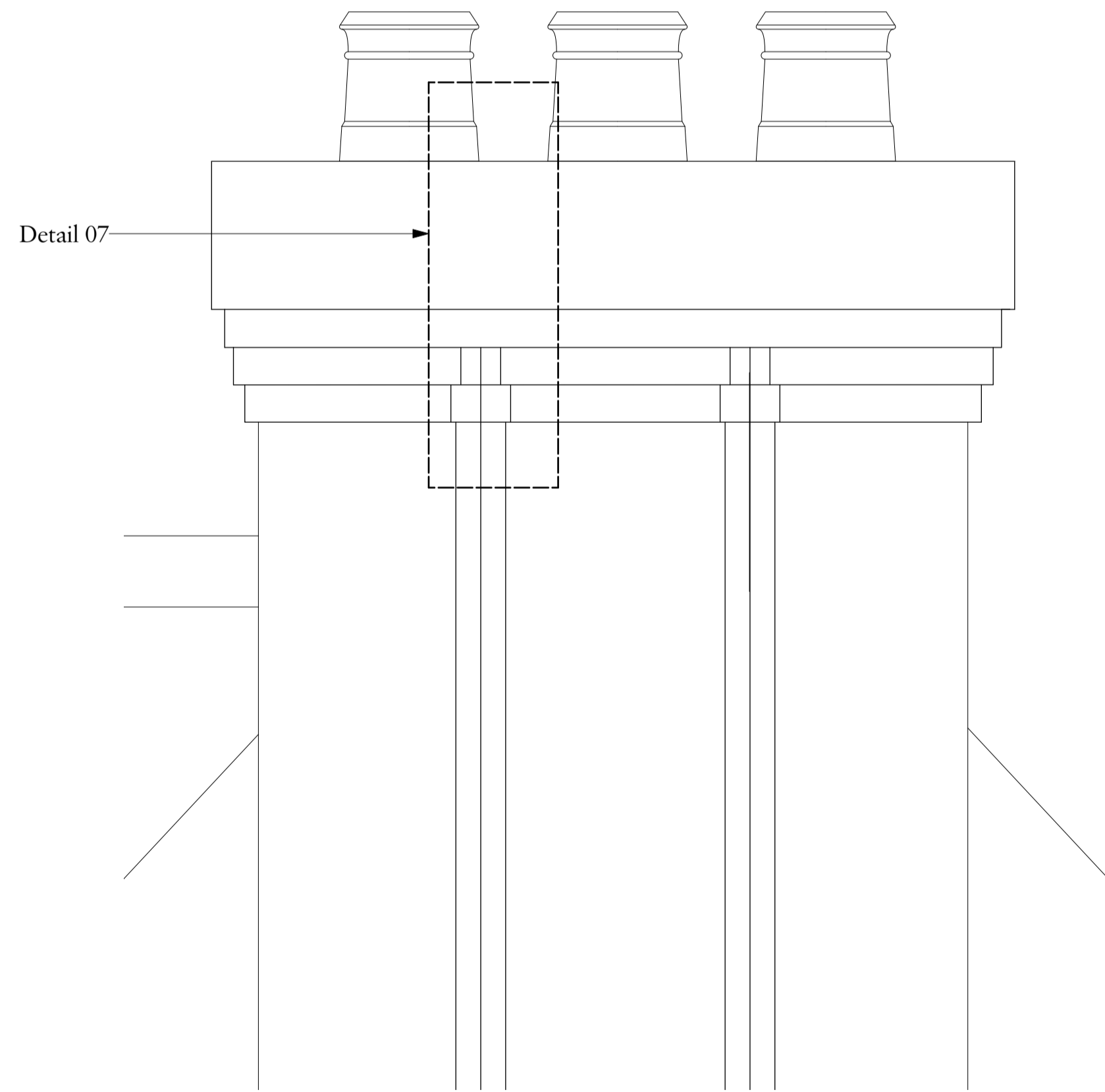
Refer to chimney pot drawing 20022-21-202



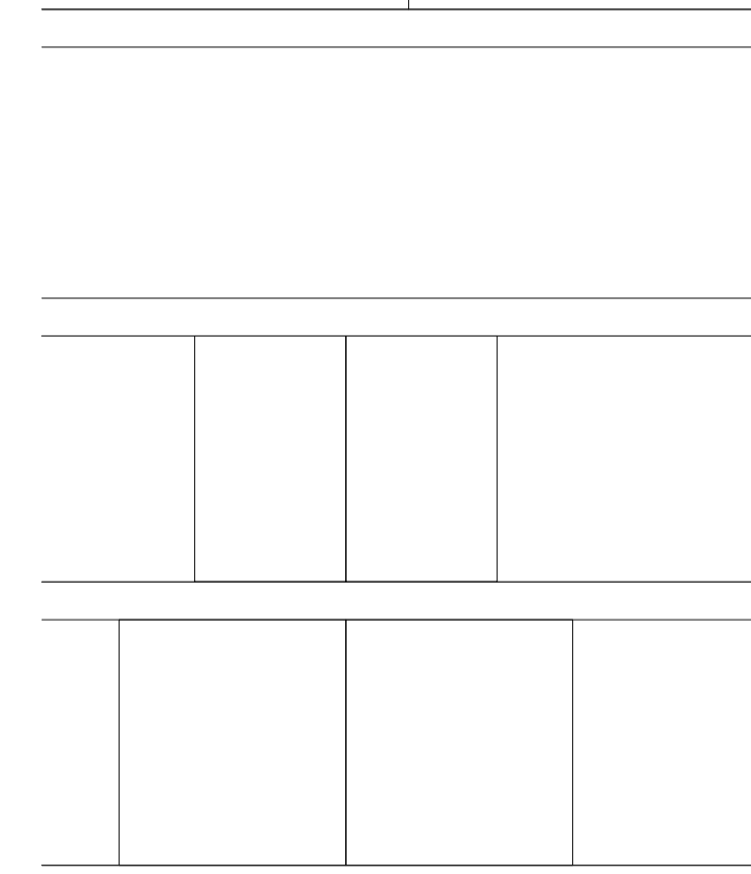
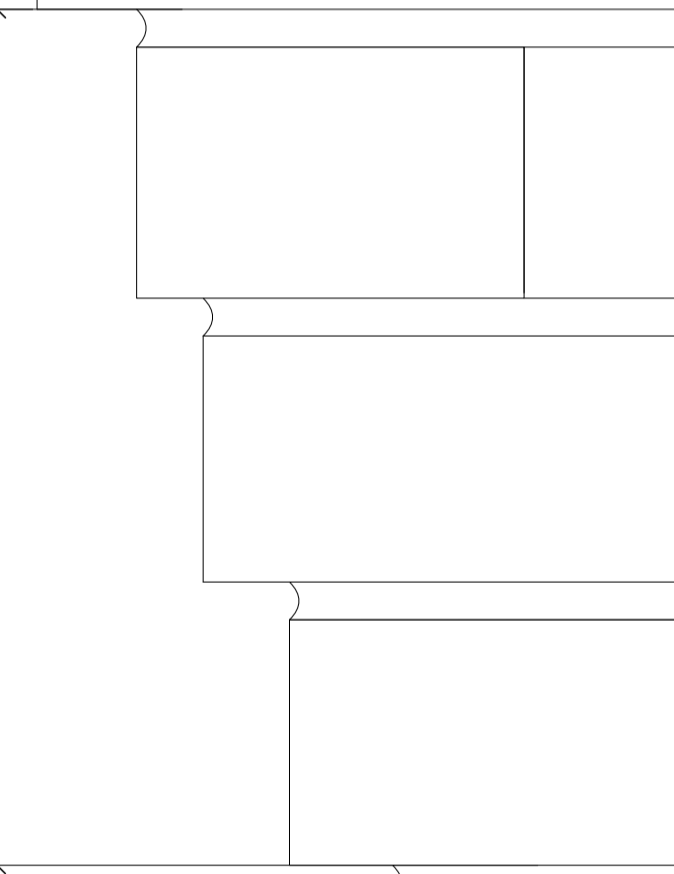
4no. brick bands



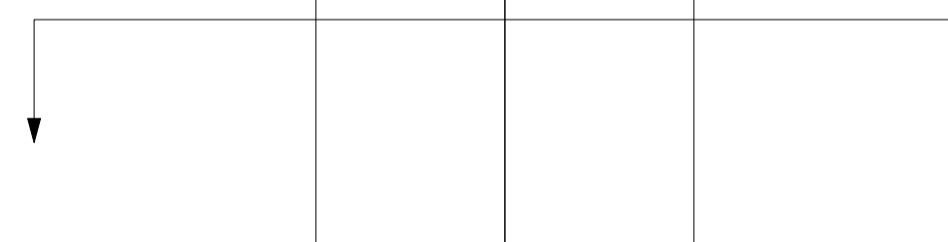
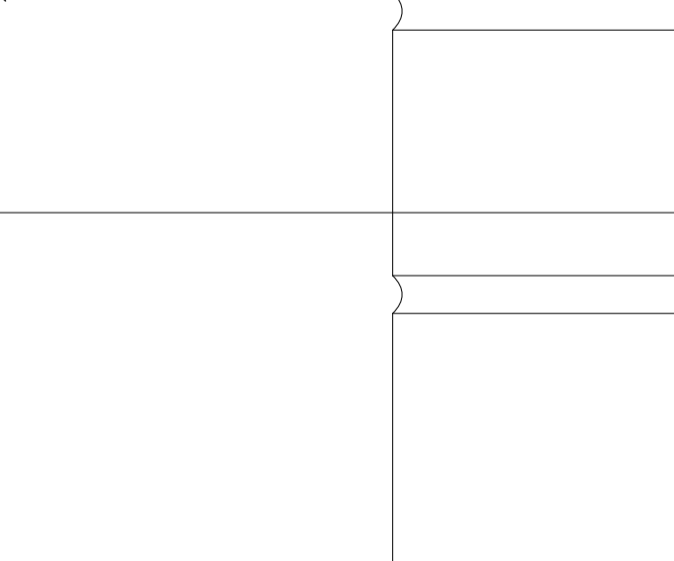
2 Chimney Front



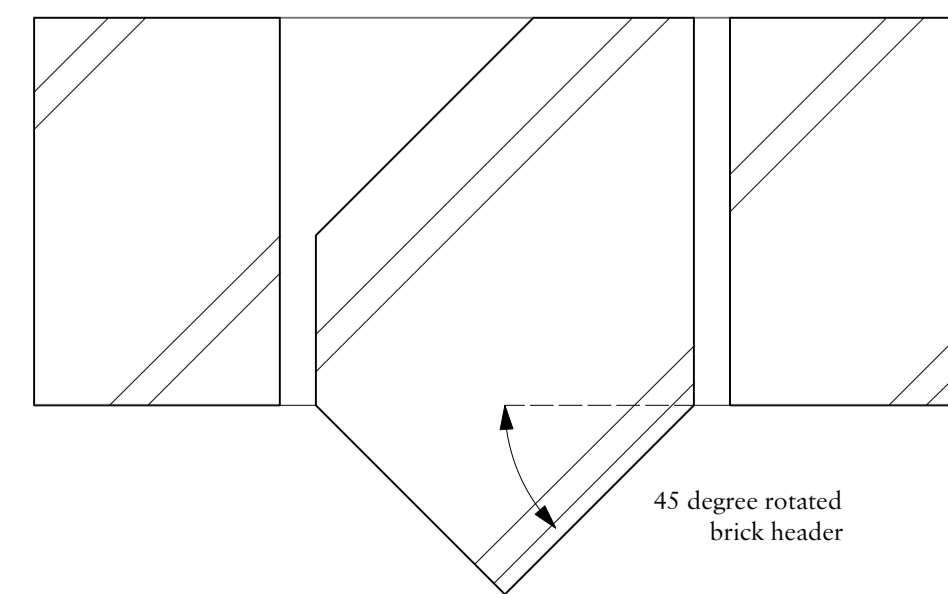
3no. brick corbled course in red specials



45 degree rotated header detail to match neighbouring chimney



6 Chimney Side Scale: Half Actual Size



03 Chimney Side

7 Chimney Side Scale: Half Actual Size

A	29/06/2023	Planning Update	
Rev	Date	Details	By

Charlton Brown Architecture & Interiors

The Belvedere, 2 Back Lane, Hampstead, London, NW3 1HL
Telephone +44(0)20 7794 1234
Email office@charltonbrown.com
Website www.charltonbrown.com

Client
Mr Alex Begun

Project
38 Frogna Lane

Drawing Title
Typical Brick Details - Chimney Stack

Date	Drawn	Checked
29/06/2023	DB	SM

Scale
1:2

Issue Status
PLANNING

Project Number	Drawing Number	Revision
20022	21-201	A