

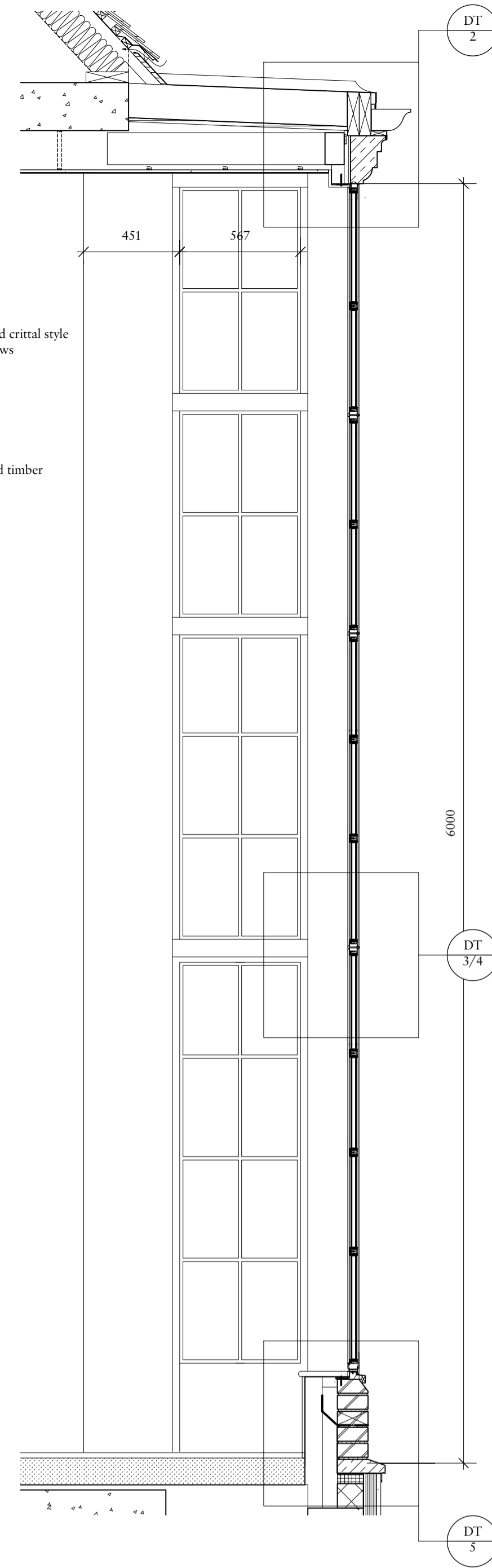
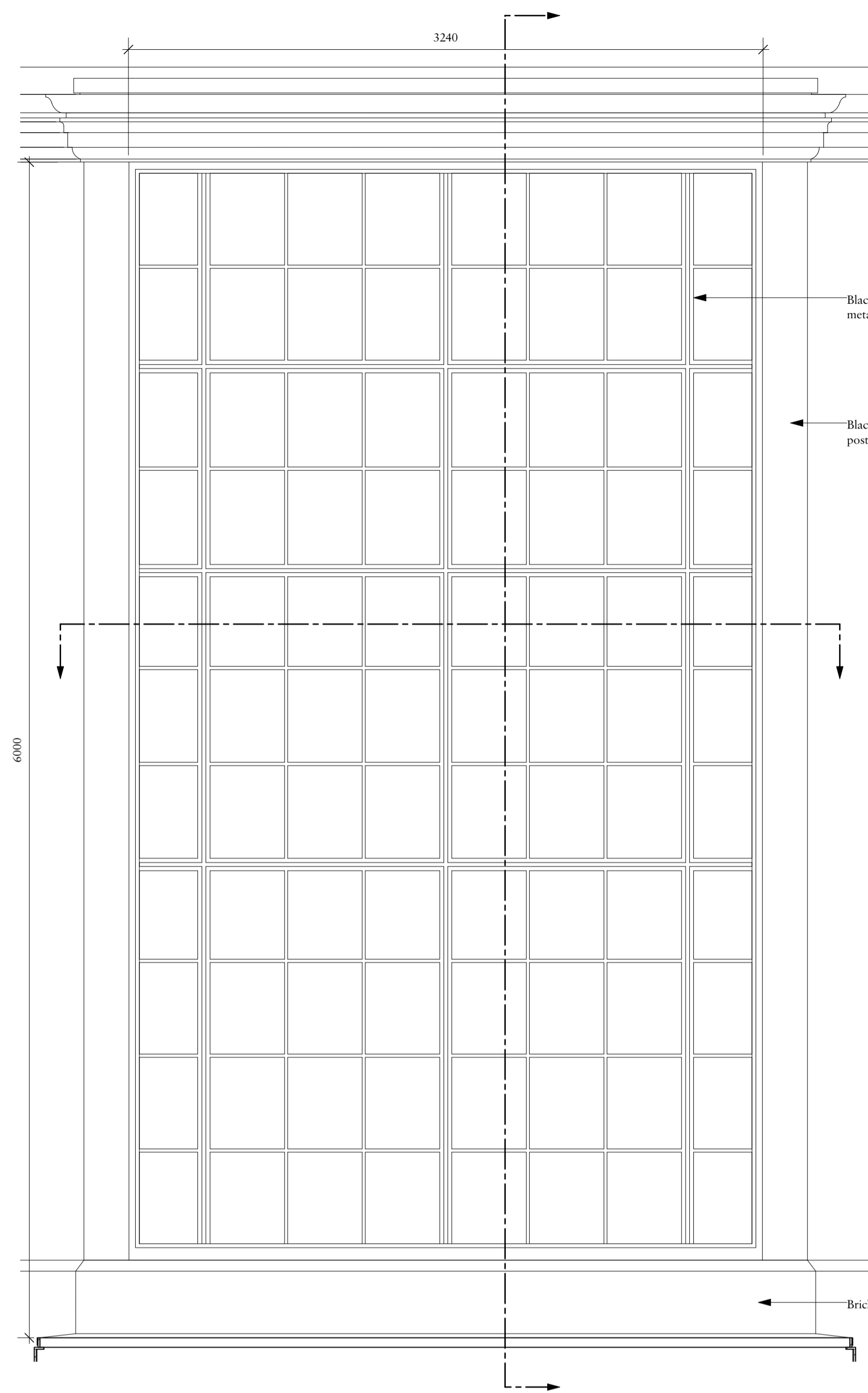
**Important note**

All dimensions in millimetres. Where dimensions are not given, drawings must not be scaled and the matter referred back to Charlton Brown Architects.

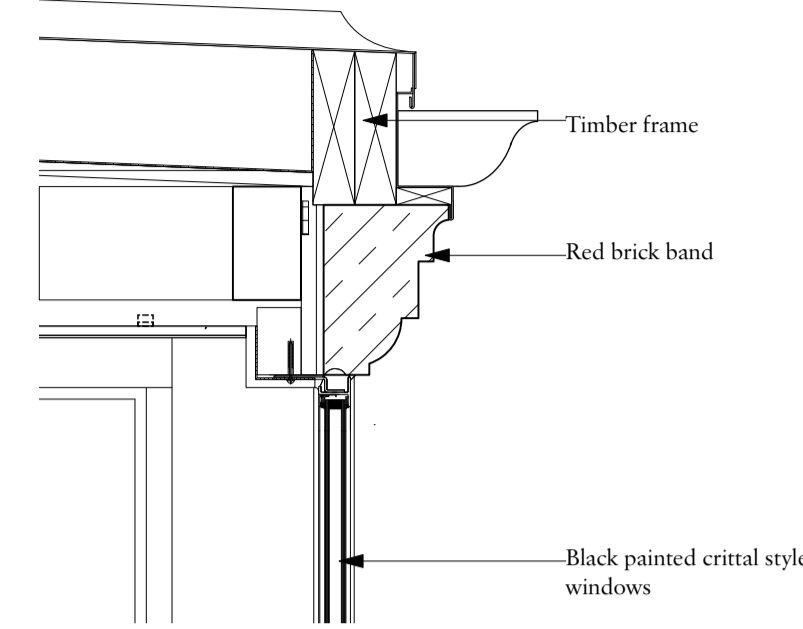
All dimensions and conditions are to be checked on site by the contractor prior to preparing drawings or commencing any work. The contractor is responsible for checking that there is no conflict between site dimensions and drawn dimensions.

In the event of any detail or dimensional conflict between Charlton Brown Architects drawings, the matter must be referred back to Charlton Brown Architects for clarification

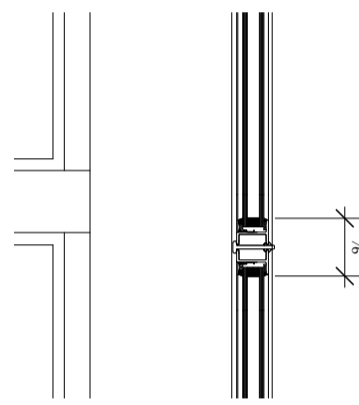
Window Type	W-T08
Window Description	Double glazed double-height fixed bay window
Window Numbers	W-GF-08/ W-1F-09
Structural Opening	See drawing
Leaf Size	N/A
Finish	Crittall style windows painted black
Ironmongery Set	Recessed Espagnolette Bolt and hidden stays
Glass Specification	1.6 W/(msq.K)



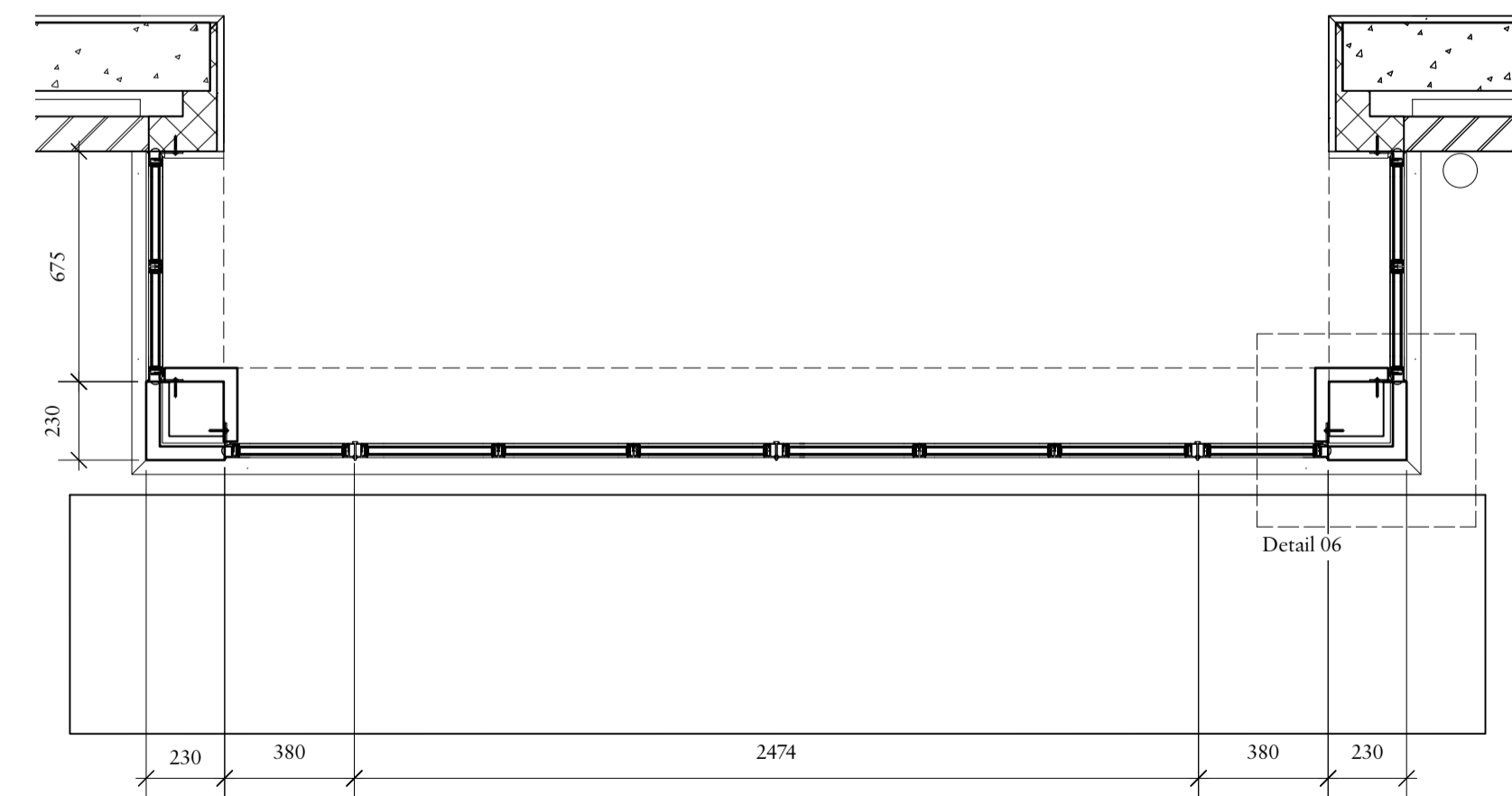
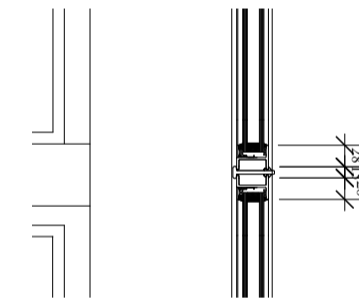
2 Detail 02 - Plan  
Scale: 1:10



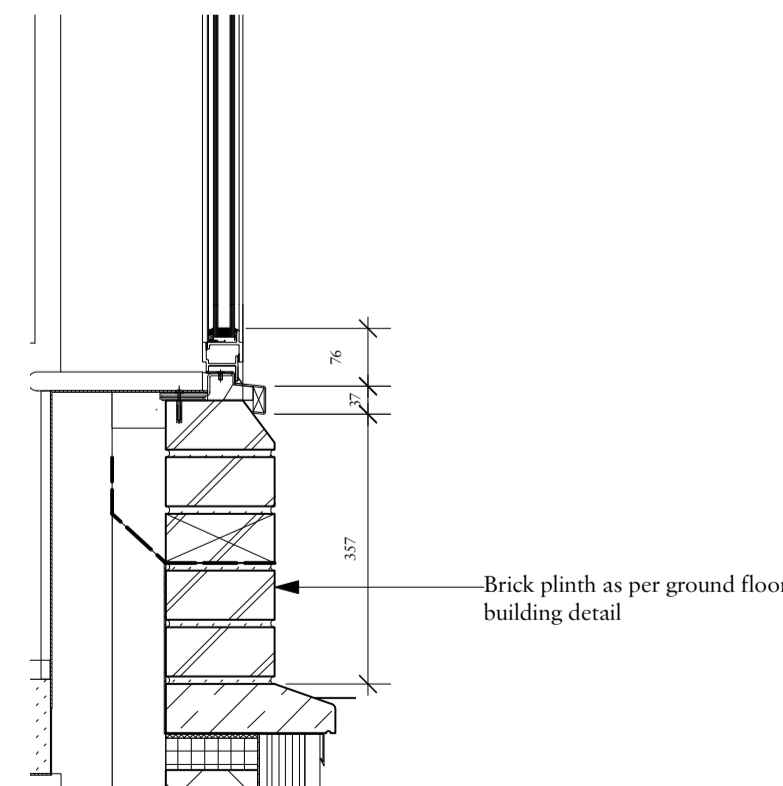
3 Detail 03 - Plan  
Scale: 1:10



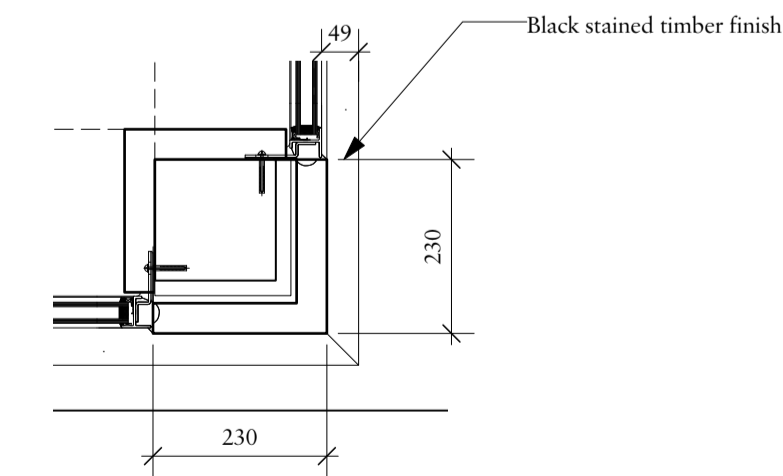
4 Detail 04 - Plan  
Scale: 1:10



2 Detail 02 - Plan  
Scale: 1:10



6 Detail 06 - Plan  
Scale: 1:10



A	28/06/2023	Planning Update	
Rev	Date	Details	By

## Charlton Brown Architecture & Interiors

The Belvedere, 2 Back Lane, Hampstead, London, NW3 1HL  
 Telephone +44(0)20 7794 1234  
 Email office@charltonbrown.com  
 Website www.charltonbrown.com

Client  
 Mr Alex Begun  
 Project  
 38 Frognal Lane

### Drawing Title Window Type 08 - Details

Date	Drawn	Checked
28/06/2023	AN	SC

Scale  
 1:10

### Issue Status For Planning

Project Number	Drawing Number	Revision
20022	T-31-017	A