

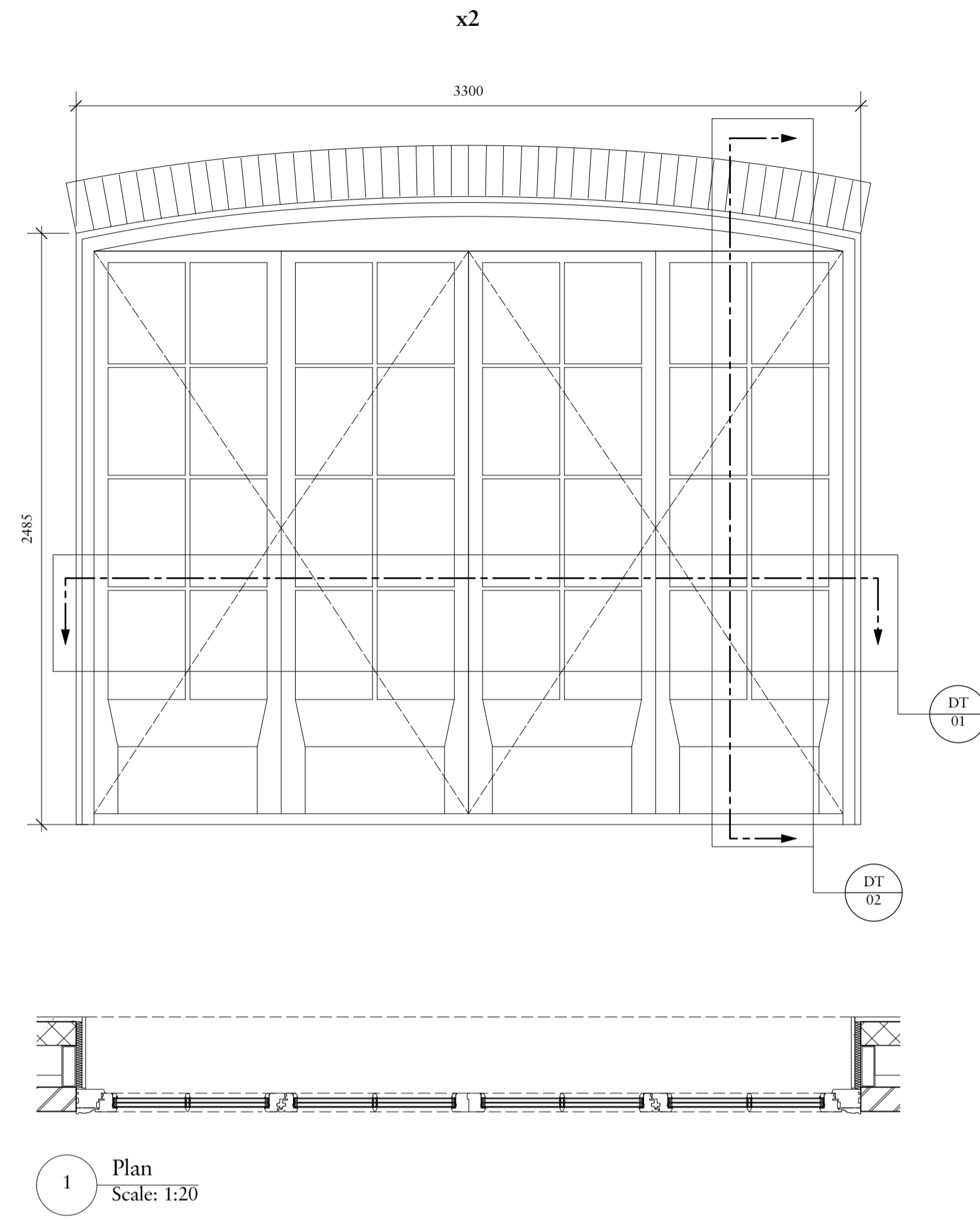
**Important note**

All dimensions in millimetres. Where dimensions are not given, drawings must not be scaled and the matter referred back to Charlton Brown Architects.

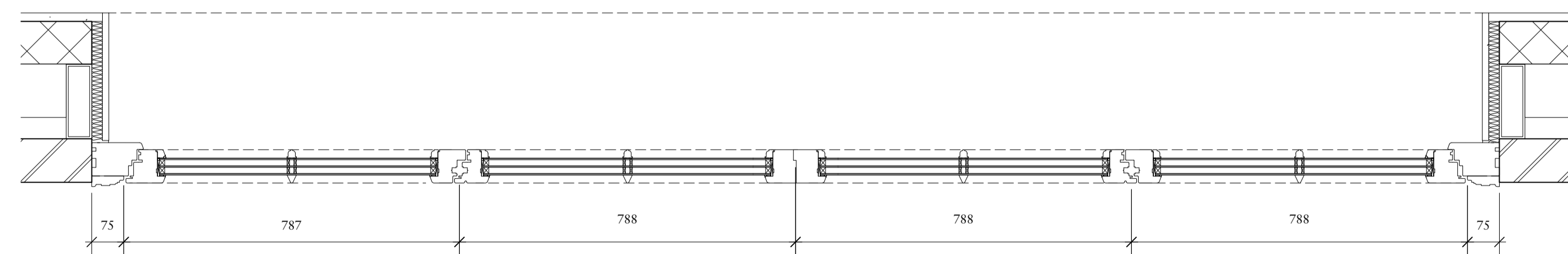
All dimensions and conditions are to be checked on site by the contractor prior to preparing drawings or commencing any work. The contractor is responsible for checking that there is no conflict between site dimensions and drawn dimensions.

In the event of any detail or dimensional conflict between Charlton Brown Architects drawings, the matter must be referred back to Charlton Brown Architects for clarification

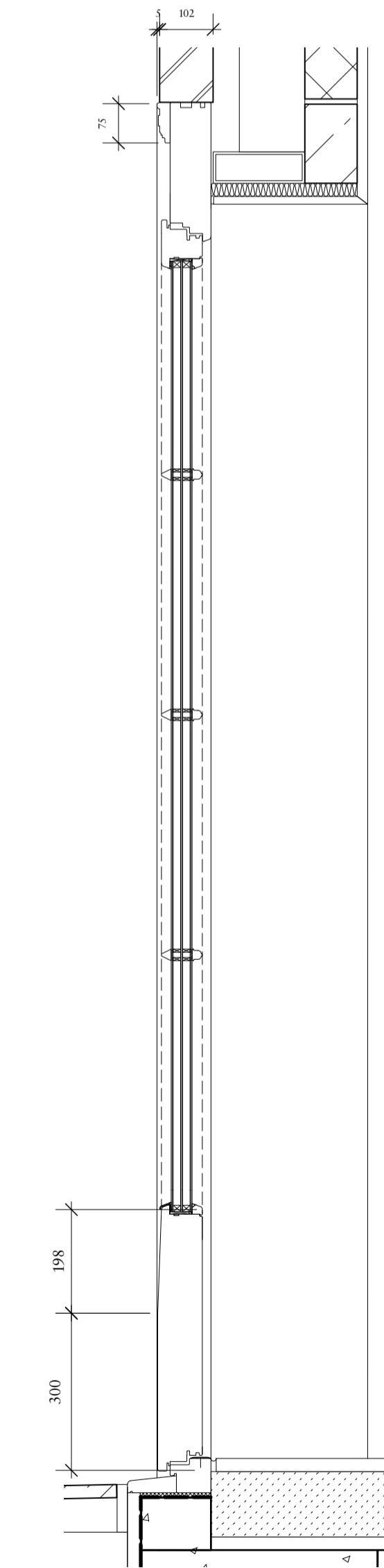
Window Type	W-T05
Window Description	4 no. openable full-height side triple glazed panels
Window Numbers	D-EX-GF-02 D-EX-GF-03
Structural Opening	See drawing
Leaf Size	N/A
Finish	Hardwood timber painted white, clear lacquer seal
Ironmongery Set	Recessed Espagnolette Bolt and hidden stays
Glass Specification	1.6 W/(msq,K)



1 Plan  
Scale: 1:20



2 Plan  
Scale: 1:10



3 Plan  
Scale: 1:10

A	28/06/2023	Planning Update	
Rev	Date	Details	By

## Charlton Brown Architecture & Interiors

The Belvedere, 2 Back Lane, Hampstead, London, NW3 1HL

Telephone +44(0)20 7794 1234

Email office@charltonbrown.com

Website www.charltonbrown.com

Client

Mr Alex Begun

Project

38 Froggnal Lane

Drawing Title

Window Type 05 - Details

Date	Drawn	Checked
28/06/2023	AN	SC

Scale  
1:10

Issue Status

For Planning

Project Number	Drawing Number	Revision
20022	T-31-014	A