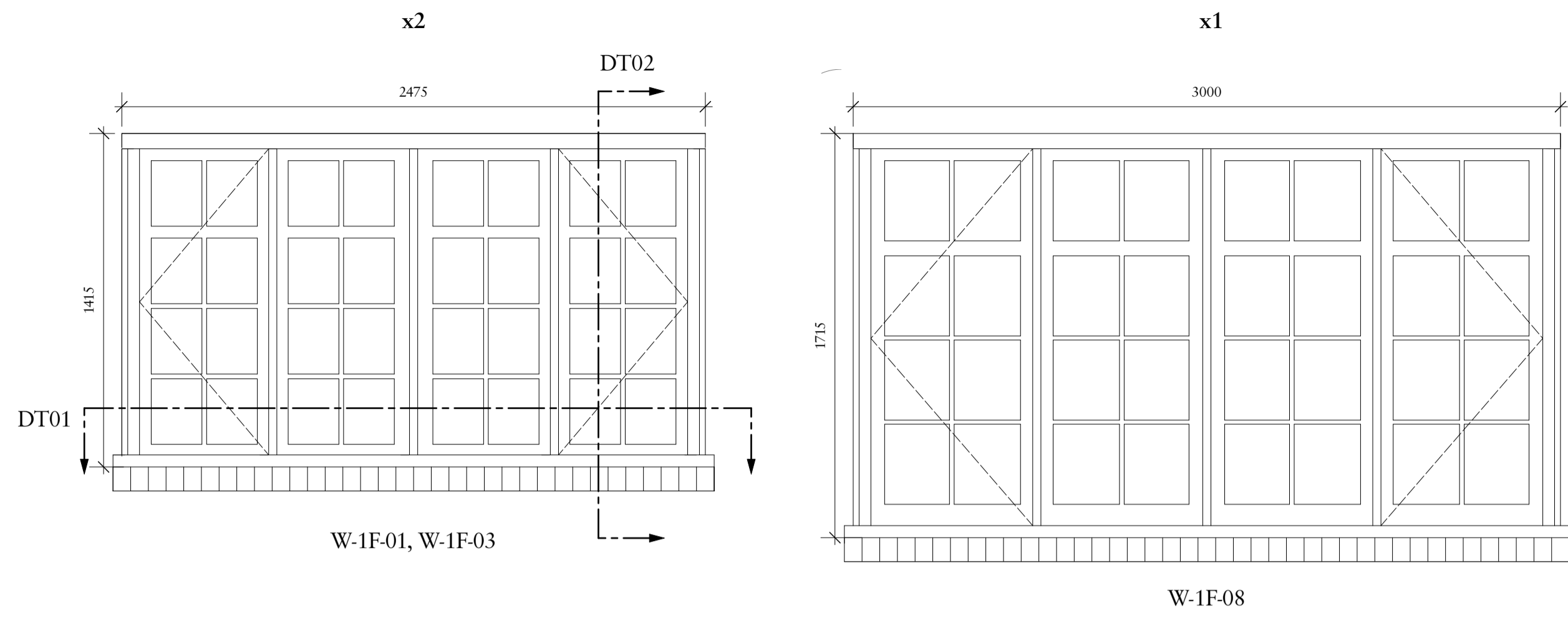


Important note

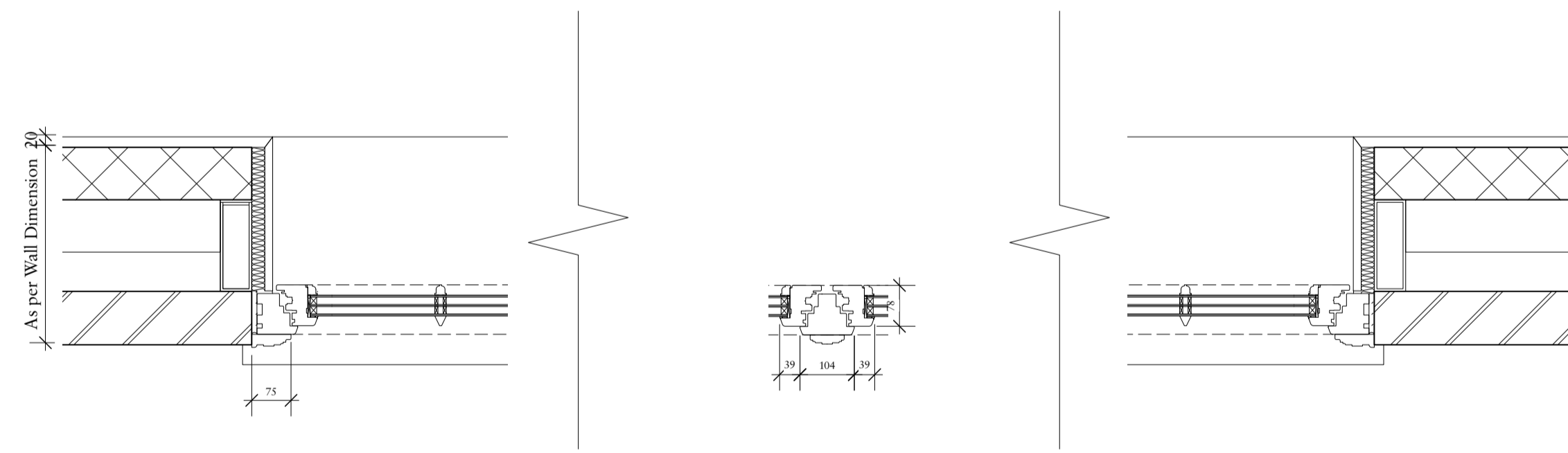
All dimensions in millimetres. Where dimensions are not given, drawings must not be scaled and the matter referred back to Charlton Brown Architects.

All dimensions and conditions are to be checked on site by the contractor prior to preparing drawings or commencing any work. The contractor is responsible for checking that there is no conflict between site dimensions and drawn dimensions.

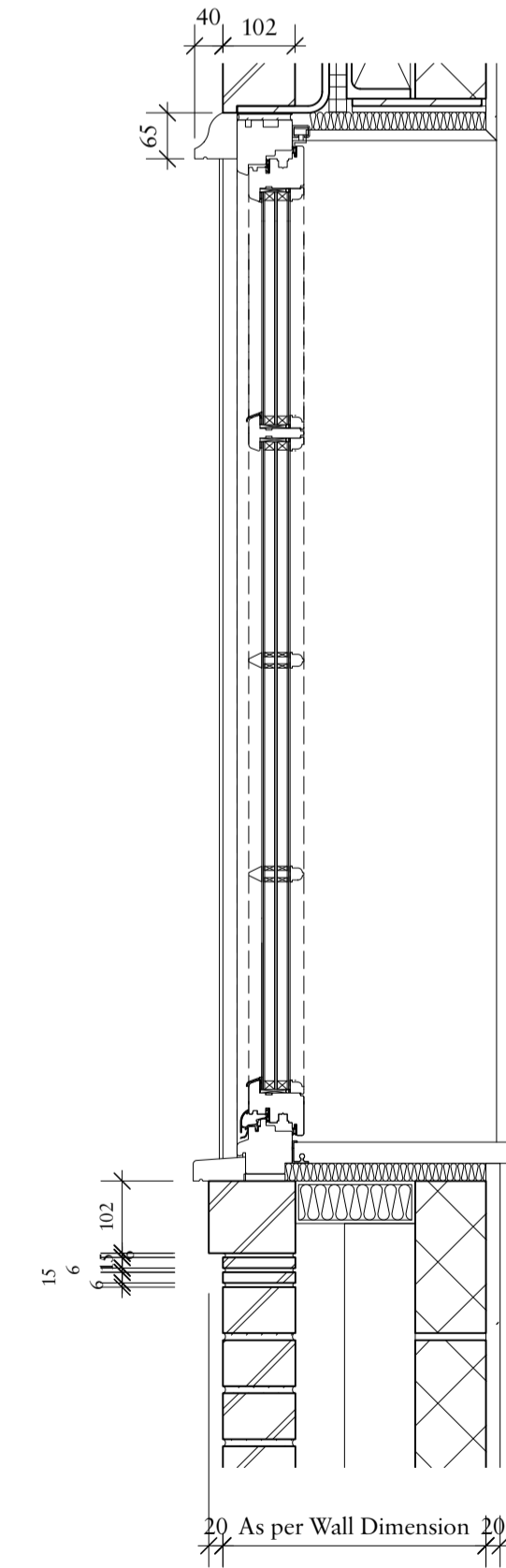
In the event of any detail or dimensional conflict between Charlton Brown Architects drawings, the matter must be referred back to Charlton Brown Architects for clarification



Window Type	W-T02
Window Description	Triple glazed outward opening hardwood timber casement windows
Window Numbers	W-1F-01, W-1F-03, W-1F-08
Structural Opening	See drawing
Leaf Size	N/A
Finish	Hardwood timber painted white, clear lacquer seal
Ironmongery Set	Recessed Espagnolette Bolt and hidden stays
Glass Specification	1.6 W/(msq.K)



1 Detail 01 - Plan
Scale: 1:5



2 Detail 02 - Section
Scale: 1:10

A	28/06/2023	Planning Update	
Rev	Date	Details	By

Charlton Brown Architecture & Interiors

The Belvedere, 2 Back Lane, Hampstead, London, NW3 1HL
 Telephone +44(0)20 7794 1234
 Email office@charltonbrown.com
 Website www.charltonbrown.com

Client
 Mr Alex Begun
 Project
 38 Frogal Lane

Drawing Title Window Type 02 - Details

Date	Drawn	Checked
28/06/2023	AN	SC

Scale
 1:10

Issue Status For Planning

Project Number	Drawing Number	Revision
20022	T-31-011	A