

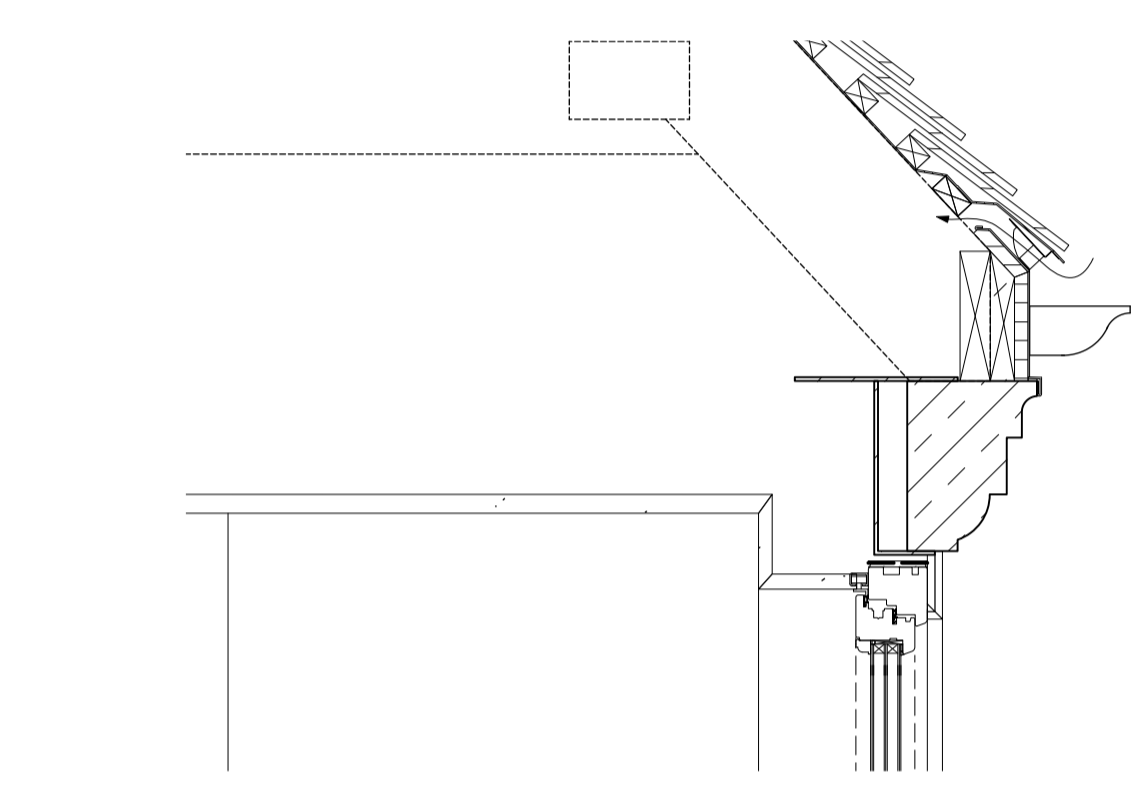
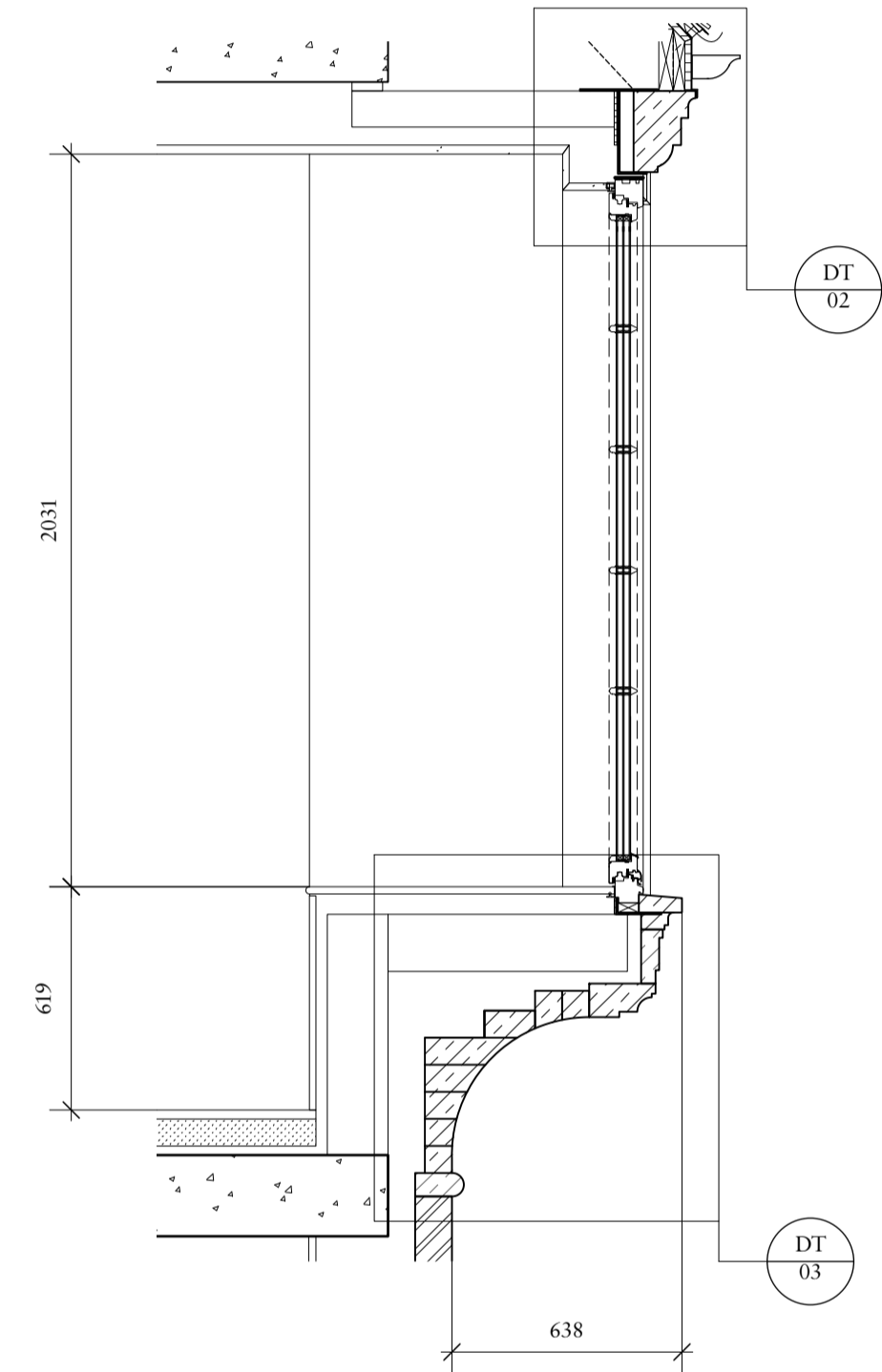
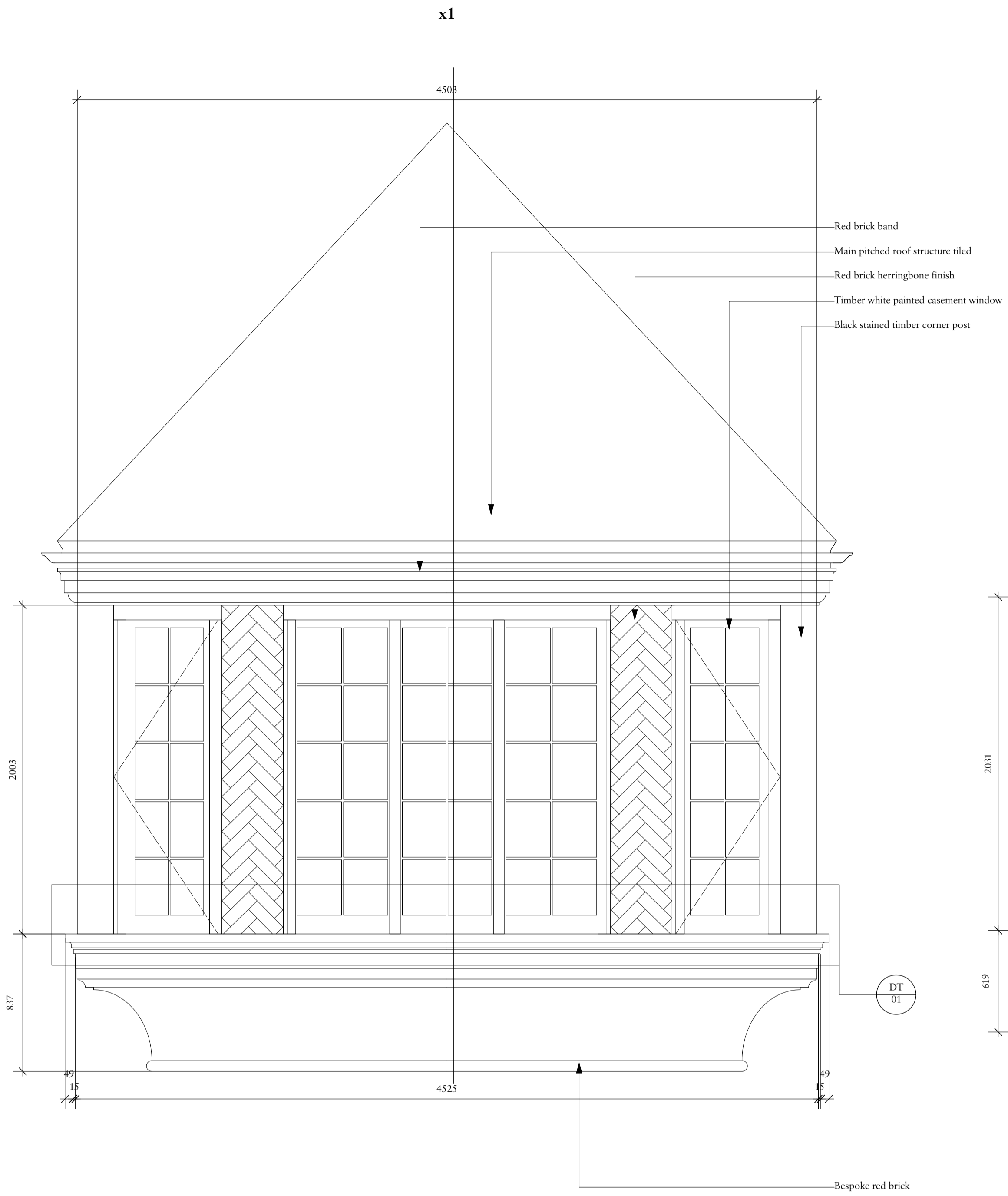
Important note

All dimensions in millimetres. Where dimensions are not given, drawings must not be scaled and the matter referred back to Charlton Brown Architects.

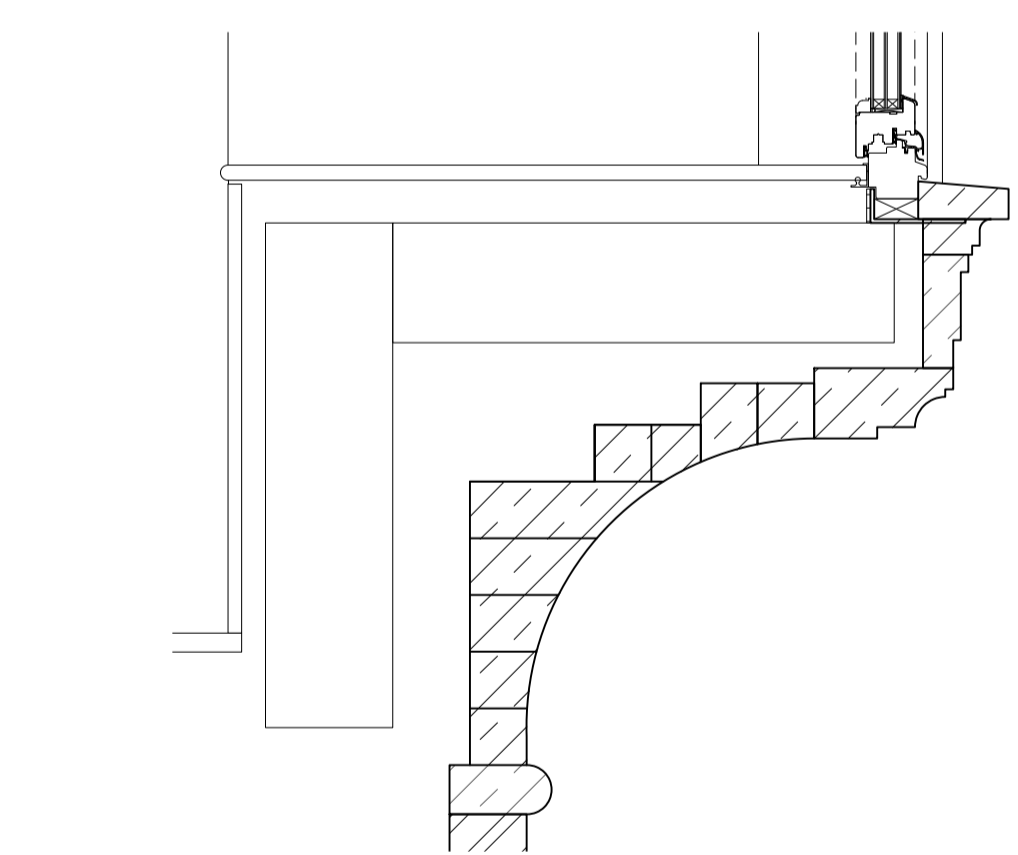
All dimensions and conditions are to be checked on site by the contractor prior to preparing drawings or commencing any work. The contractor is responsible for checking that there is no conflict between site dimensions and drawn dimensions.

In the event of any detail or dimensional conflict between Charlton Brown Architects drawings, the matter must be referred back to Charlton Brown Architects for clarification

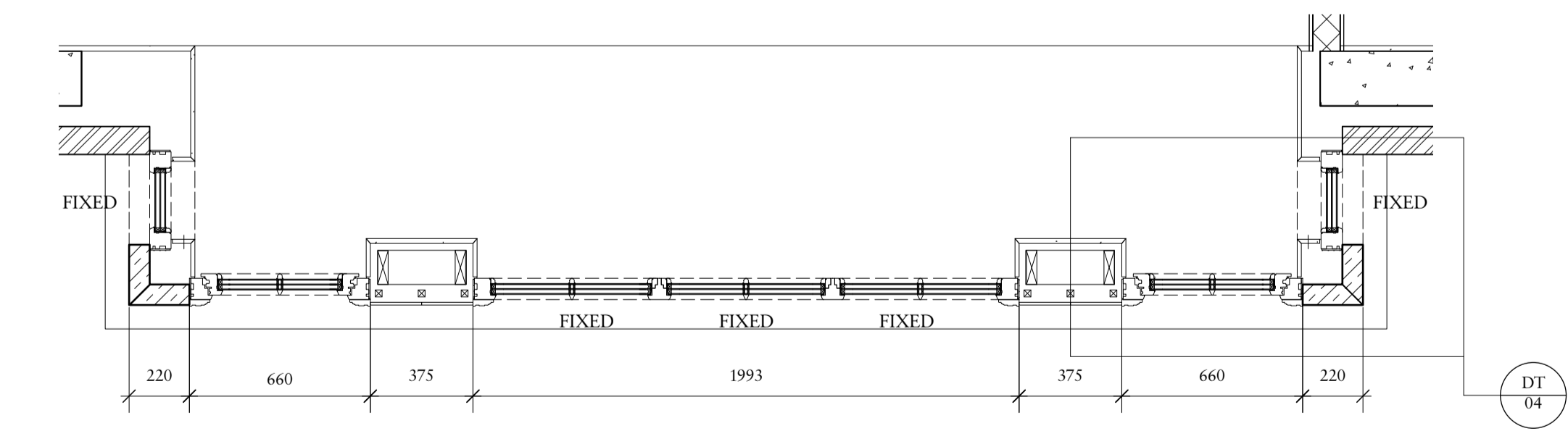
Window Type	W-T09
Window Description	2 no. single opening windows with 5 no. fixed triple glazed windows
Window Numbers	W-1F-10
Structural Opening	See drawing
Leaf Size	N/A
Finish	Hardwood timber painted white, clear lacquer seal
Ironmongery Set	Recessed Espagnolette Bolt and hidden stays
Glass Specification	1.6 W/(msq.K)



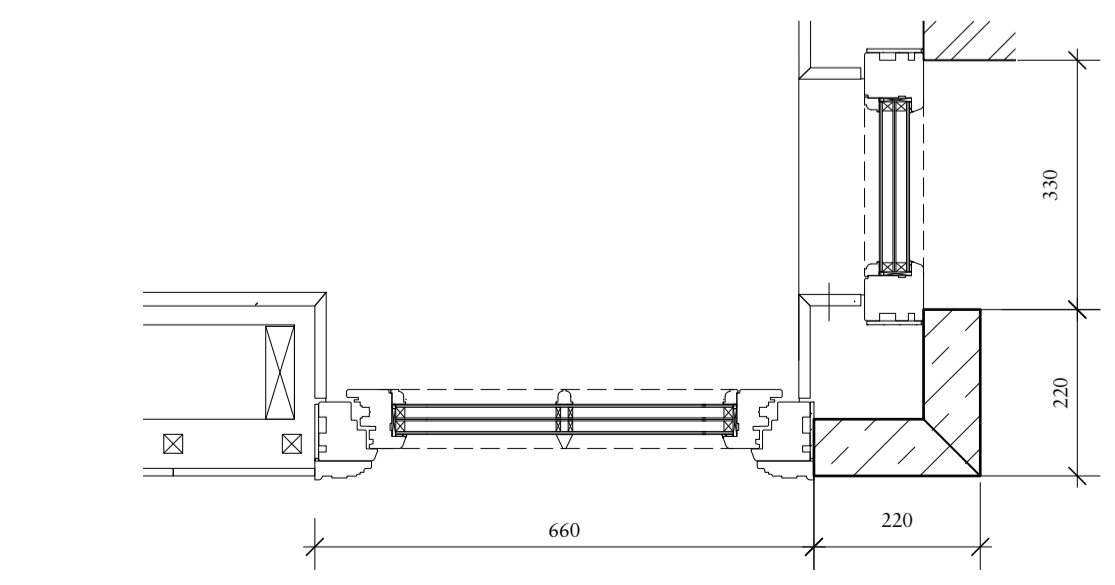
2 Section Scale: 1:10



3 Section Scale: 1:10



1 Plan Scale: 1:20



4 Plan Scale: 1:10

A 28/06/2023 Planning Update
 Rev Date Details By

**Charlton Brown
 Architecture & Interiors**

The Belvedere, 2 Back Lane, Hampstead, London, NW3 1HL
 Telephone +44(0)20 7794 1234
 Email office@charltonbrown.com
 Website www.charltonbrown.com

Client
 Mr Alex Begun
 Project
 38 Frogal Lane

Drawing Title
Window Type 09 - Details

Date 28/06/2023 Drawn AN Checked SC

Scale
 1:10

Issue Status
For Planning

Project Number 20022 Drawing Number T-31-018 Revision A