

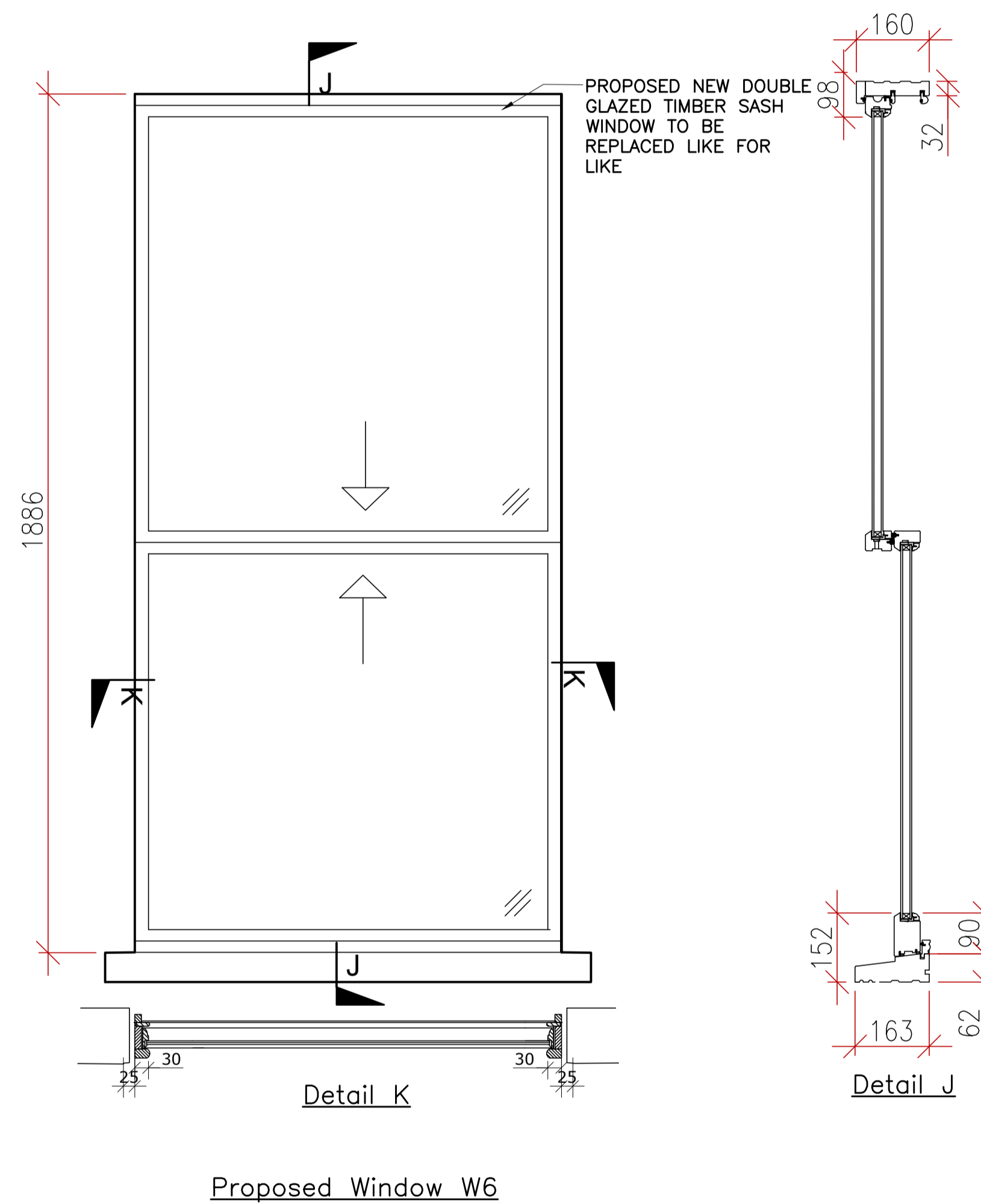
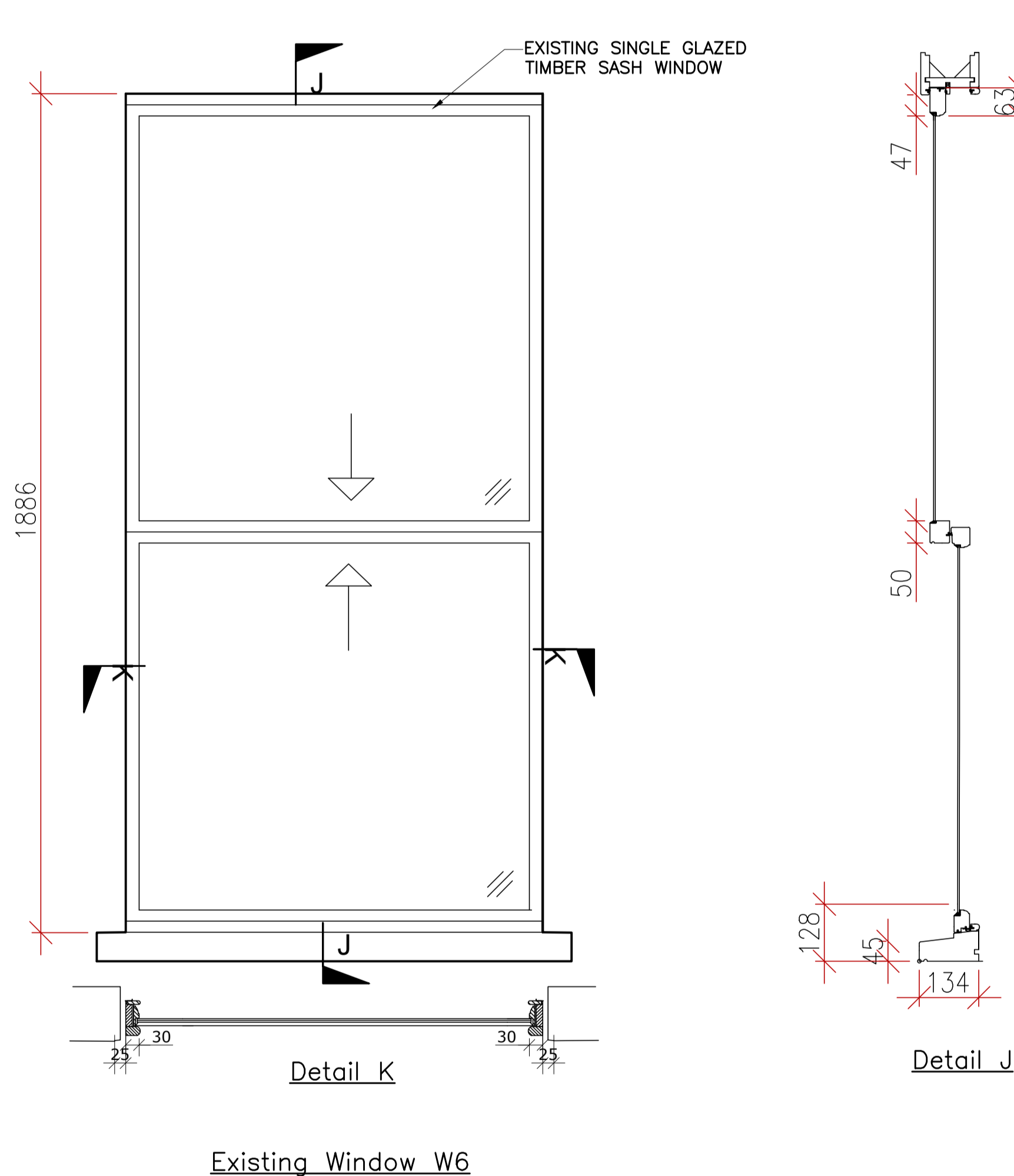
ALL DIMENSIONS, LEVELS AND CLEARANCES TO BE CHECKED ON SITE PRIOR TO WORKS COMMENCING

THIS DRAWING SHOULD BE READ IN CONJUNCTION WITH ALL OTHER PROJECT RELATED DRAWINGS, SPECIFICATIONS AND DOCUMENTS AS PART OF A SINGLE PROJECT PACKAGE.

ANY DISCREPANCY BETWEEN THIS DRAWING, OTHER DRAWINGS FORMING PART OF THIS CONTRACT, OR THE SPECIFICATION / BILLS OF QUANTITIES MUST BE CLARIFIED BEFORE COMMENCEMENT OF ANY WORK OR ORDERING OF ANY MATERIALS.

PLEASE CONSULT THE AUTHOR OR PROJECT MANAGER SHOULD THE READER REQUIRE CLARIFICATION ON ANY PART OF THIS DRAWING.

THE COPYRIGHT OF THE DRAWING AND DESIGN IS THE PROPERTY OF THE COMPANY. THIS INFORMATION HAS BEEN ISSUED UNDER SPECIFIC TERMS FOR THIS PROJECT AND MAY ONLY BE USED AND REPRODUCED ACCORDINGLY.



P02	30.04.20	MF	BO	SWL	Planning Issue
P01	03.04.20	MF	BO	SWL	Planning Issue
Rev	Date	By	Chk	Apr	Comment

BRINGING IDEAS TO LIFE



**FRANKHAM**  
**Frankham Consultancy Group Limited**  
 E: [enquire@frankham.com](mailto:enquire@frankham.com)  
 www.frankham.com

<b>SIDCUP OFFICE</b> Irene House Five Arches Business Park Maidstone Road Sidcup, Kent DA14 5AE T: 020 8309 7777	<b>OXFORD OFFICE</b> Wootton Business Park Besselsleigh Road Wootton, Abingdon Oxfordshire OX13 6FD T: 01865 322500
<b>LONDON OFFICE</b> Third Floor Baird House 15-17 St Cross Street London EC1N 8UW T: 020 7651 0790	<b>STEVENAGE OFFICE</b> Suite 237, Second Floor Kings Court Business Centre London Road, Stevenage Hertfordshire SG1 2NG T: 020 3714 7063

Client:  
**NOTTING HILL GENESIS**

Project Title:  
**41 WESTBERE ROAD,  
LONDON, NW2 3SP**

Drawing Title:  
**EXISTING & PROPOSED  
WINDOW DETAILS  
W6 & W7**

Status:  
**PLANNING ISSUE**

Drawn By: MF	Designed By: MF	Checked By: RK	Approved By: BG
-----------------	--------------------	-------------------	--------------------

Original Issue Date: 03/04/2020	Scale @ A3: 1:20
------------------------------------	---------------------

Job No/ File Ref 227626	Originator FCG	Zone MB	Level DE
Type DR	Discipline B	Number 2402	Suitability S4
			Revision P02

SCALE 1:20

