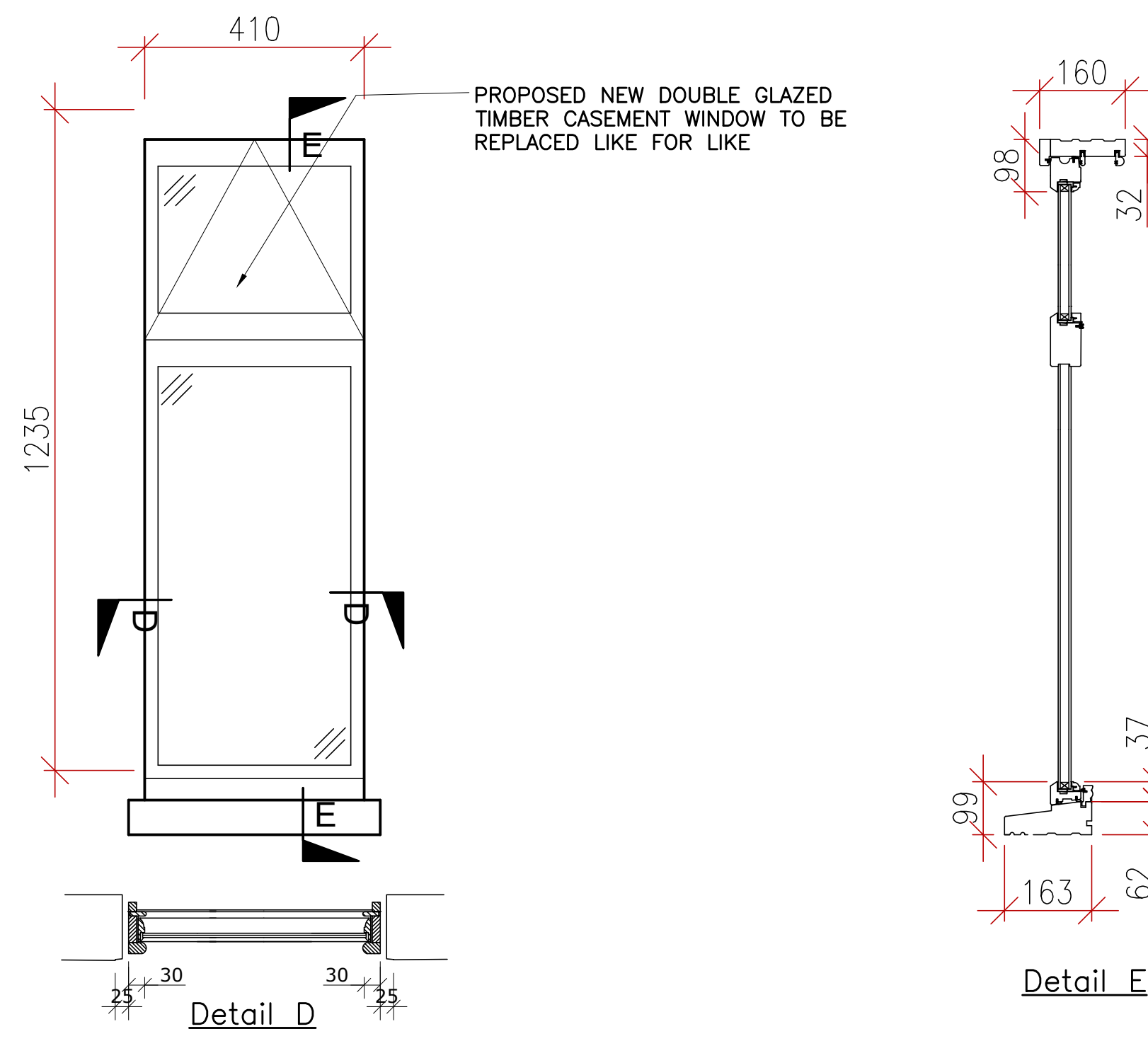
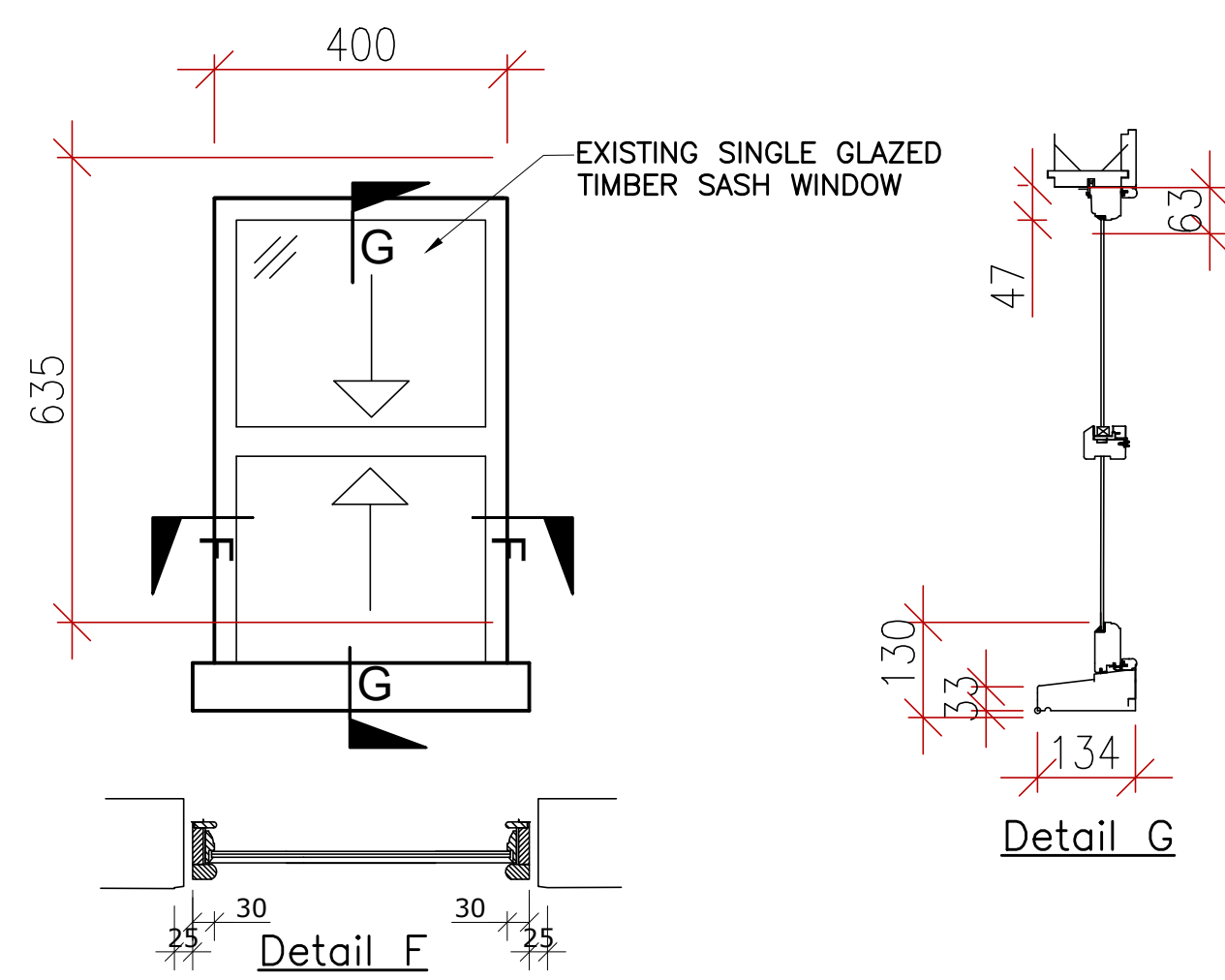


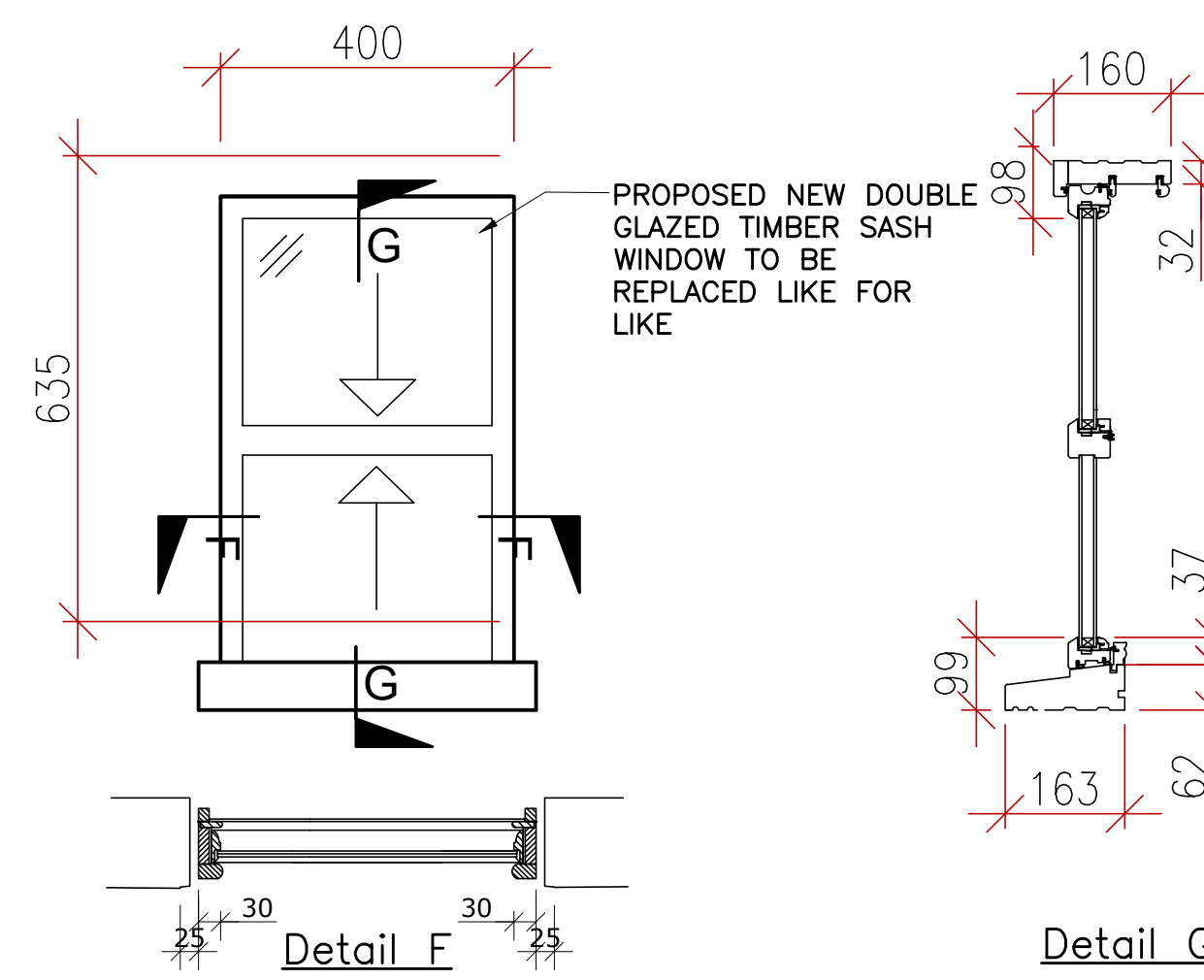
Existing Window W3



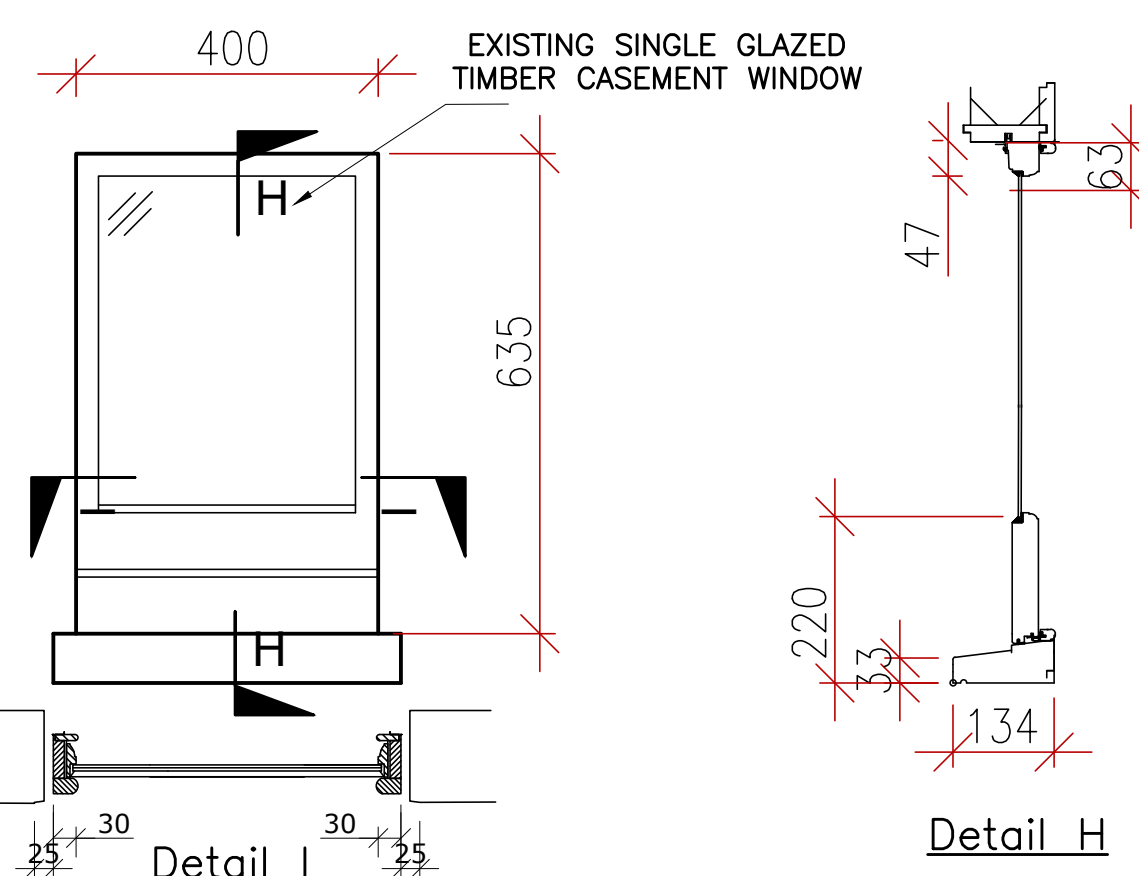
Proposed Window W3



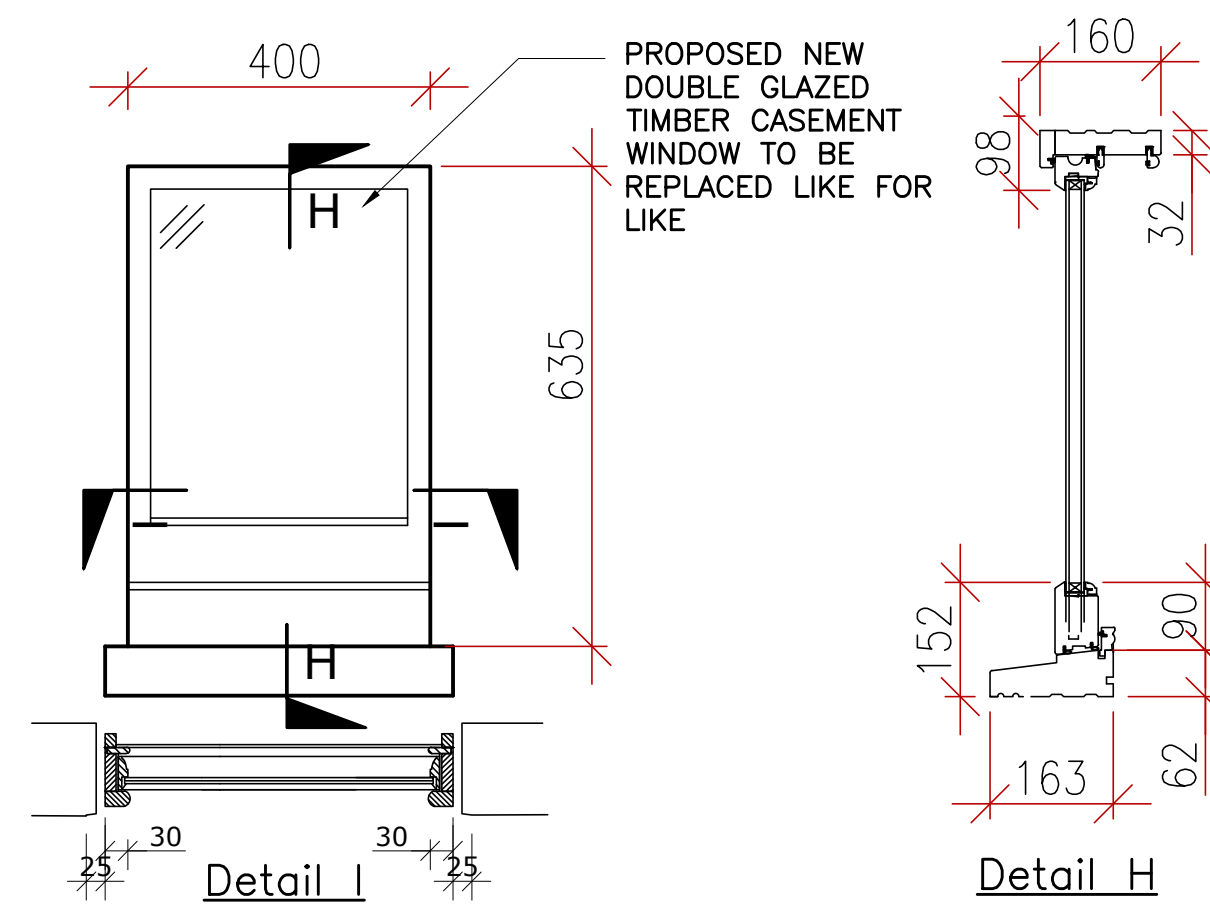
Existing Window W4



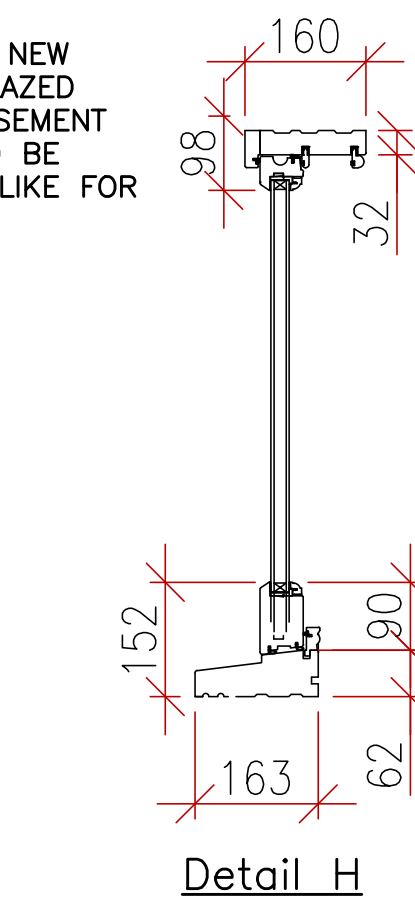
Proposed Window W4



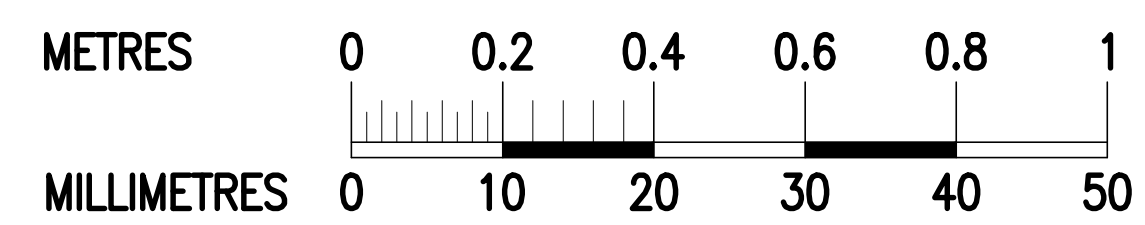
Existing Window W5



Proposed Window W5



SCALE 1:20



ALL DIMENSIONS, LEVELS AND CLEARANCES TO BE CHECKED ON SITE PRIOR TO WORKS COMMENCING

THIS DRAWING SHOULD BE READ IN CONJUNCTION WITH ALL OTHER PROJECT RELATED DRAWINGS, SPECIFICATIONS AND DOCUMENTS AS PART OF A SINGLE PROJECT PACKAGE.

ANY DISCREPANCY BETWEEN THIS DRAWING, OTHER DRAWINGS FORMING PART OF THIS CONTRACT, OR THE SPECIFICATION / BILLS OF QUANTITIES MUST BE CLARIFIED BEFORE COMMENCEMENT OF ANY WORK OR ORDERING OF ANY MATERIALS.

PLEASE CONSULT THE AUTHOR OR PROJECT MANAGER SHOULD THE READER REQUIRE CLARIFICATION ON ANY PART OF THIS DRAWING.

THE COPYRIGHT OF THE DRAWING AND DESIGN IS THE PROPERTY OF THE COMPANY. THIS INFORMATION HAS BEEN ISSUED UNDER SPECIFIC TERMS FOR THIS PROJECT AND MAY ONLY BE USED AND REPRODUCED ACCORDINGLY.

P02	30.04.20	MF	RK	SWL	Planning Issue
P01	03.04.20	MF	RK	SWL	Planning Issue
Rev	Date	By	Chk	Apr	Comment

BRINGING IDEAS TO LIFE



FRANKHAM
Frankham Consultancy Group Limited
 E: enquire@frankham.com
www.frankham.com

SIDCUP OFFICE Irene House Five Arches Business Park Maidstone Road Sidcup, Kent DA14 5AE T: 020 8309 7777	OXFORD OFFICE Wootton Business Park Besselsleigh Road Wootton, Abingdon Oxfordshire OX13 6FD T: 01865 322500
LONDON OFFICE Third Floor Baird House 15-17 St Cross Street London EC1N 8UW T: 020 7651 0790	STEVENAGE OFFICE Suite 237, Second Floor Kings Court Business Centre London Road, Stevenage Hertfordshire SG1 2NG T: 020 3714 7063

Client:
NOTTING HILL GENESIS

Project Title:
**41 WESTBERE ROAD,
LONDON, NW2 3SP**

Drawing Title:
**EXISTING & PROPOSED
WINDOW DETAILS
W3, W4 & W5**

Status:
PLANNING ISSUE

Drawn By: MF	Designed By: MF	Checked By: RK	Approved By: BG
-----------------	--------------------	-------------------	--------------------

Original Issue Date: 03/04/2020	Scale @ A3: 1:20
------------------------------------	---------------------

Job No/ File Ref 227626	Originator FCG	Zone MB	Level DE
Type DR	Discipline B	Number 2401	Suitability S4
			Revision P02