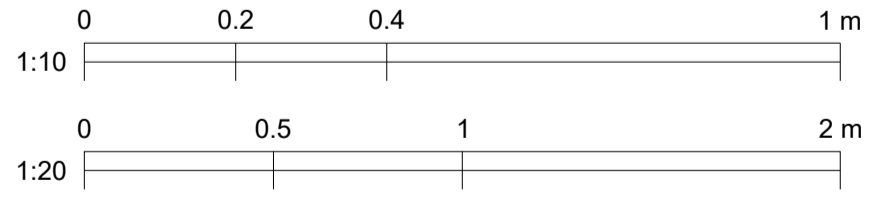
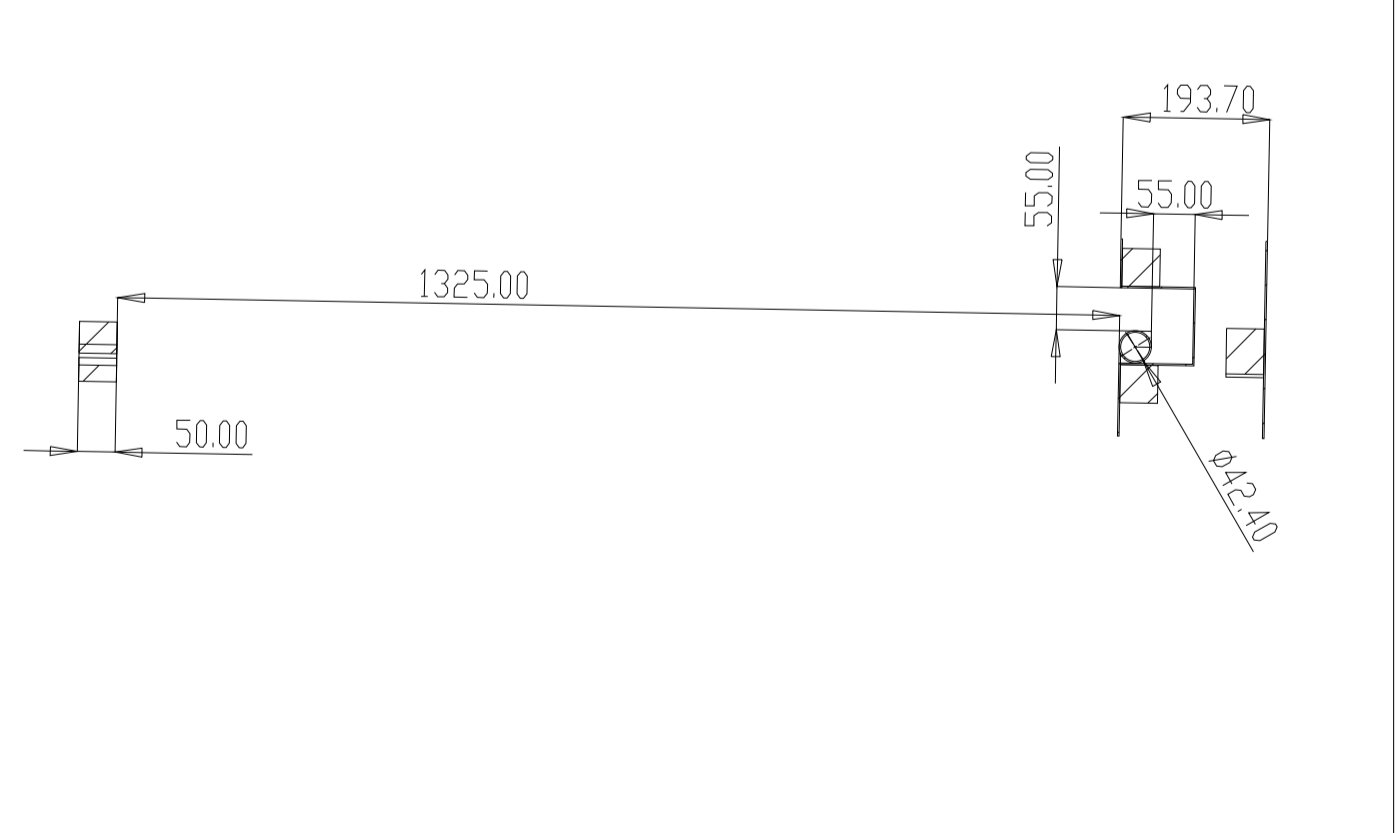
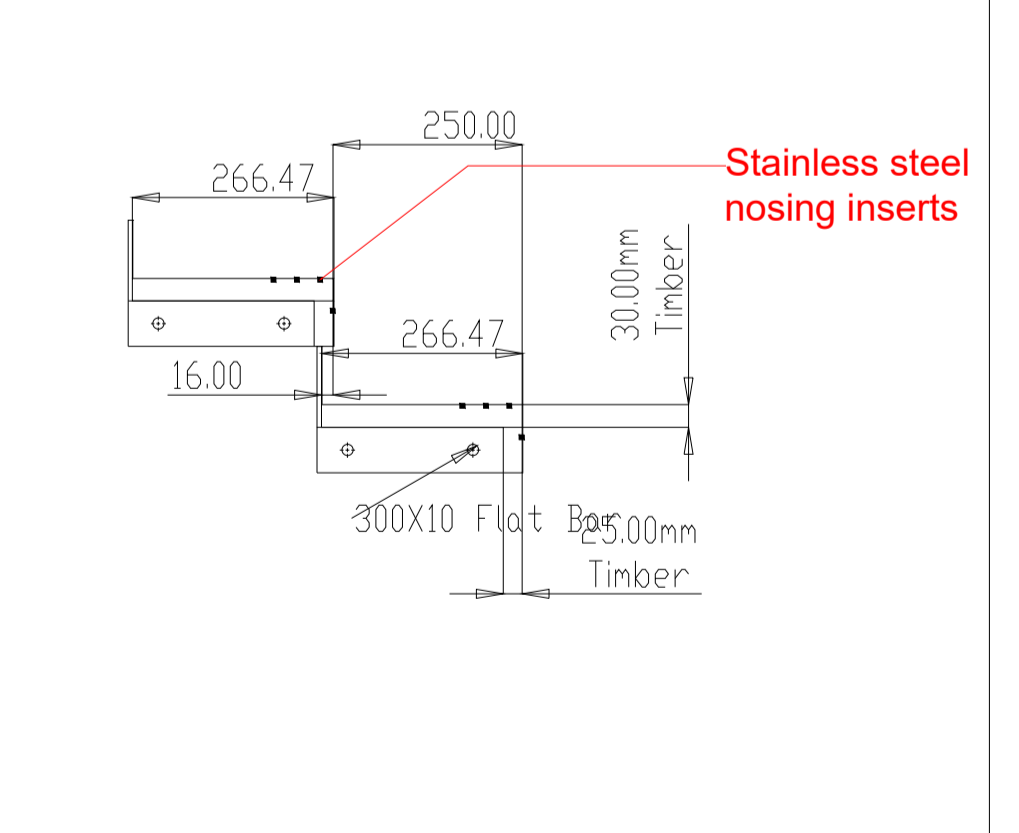
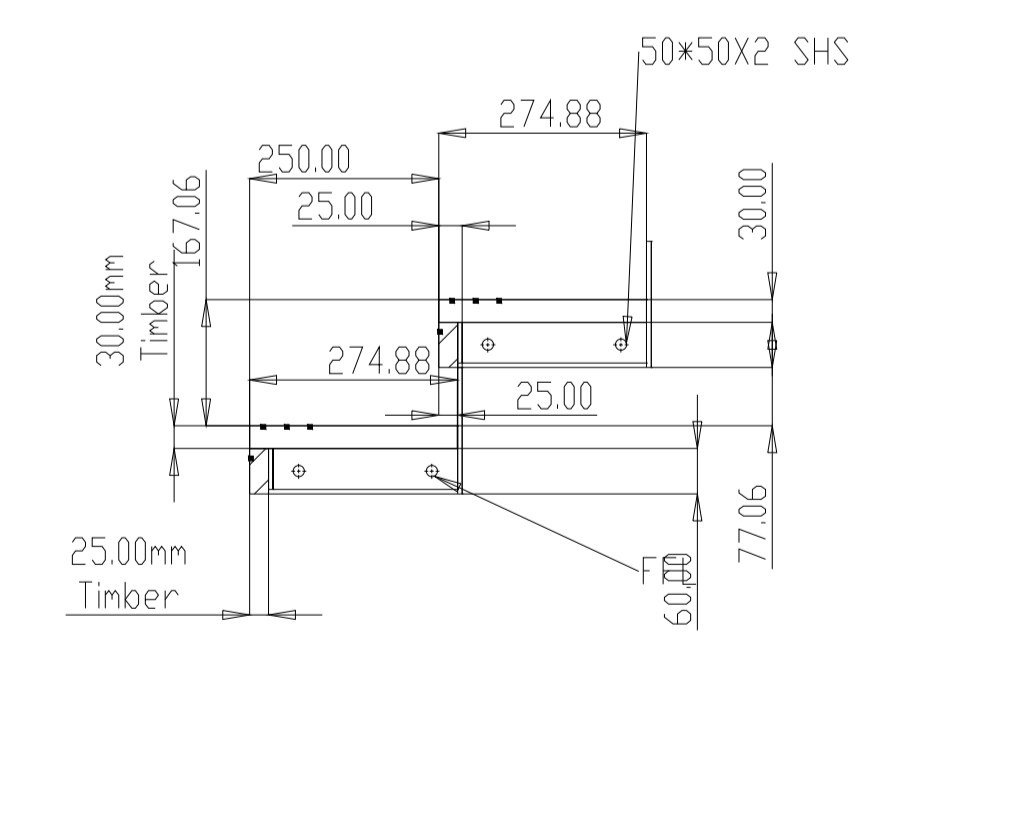
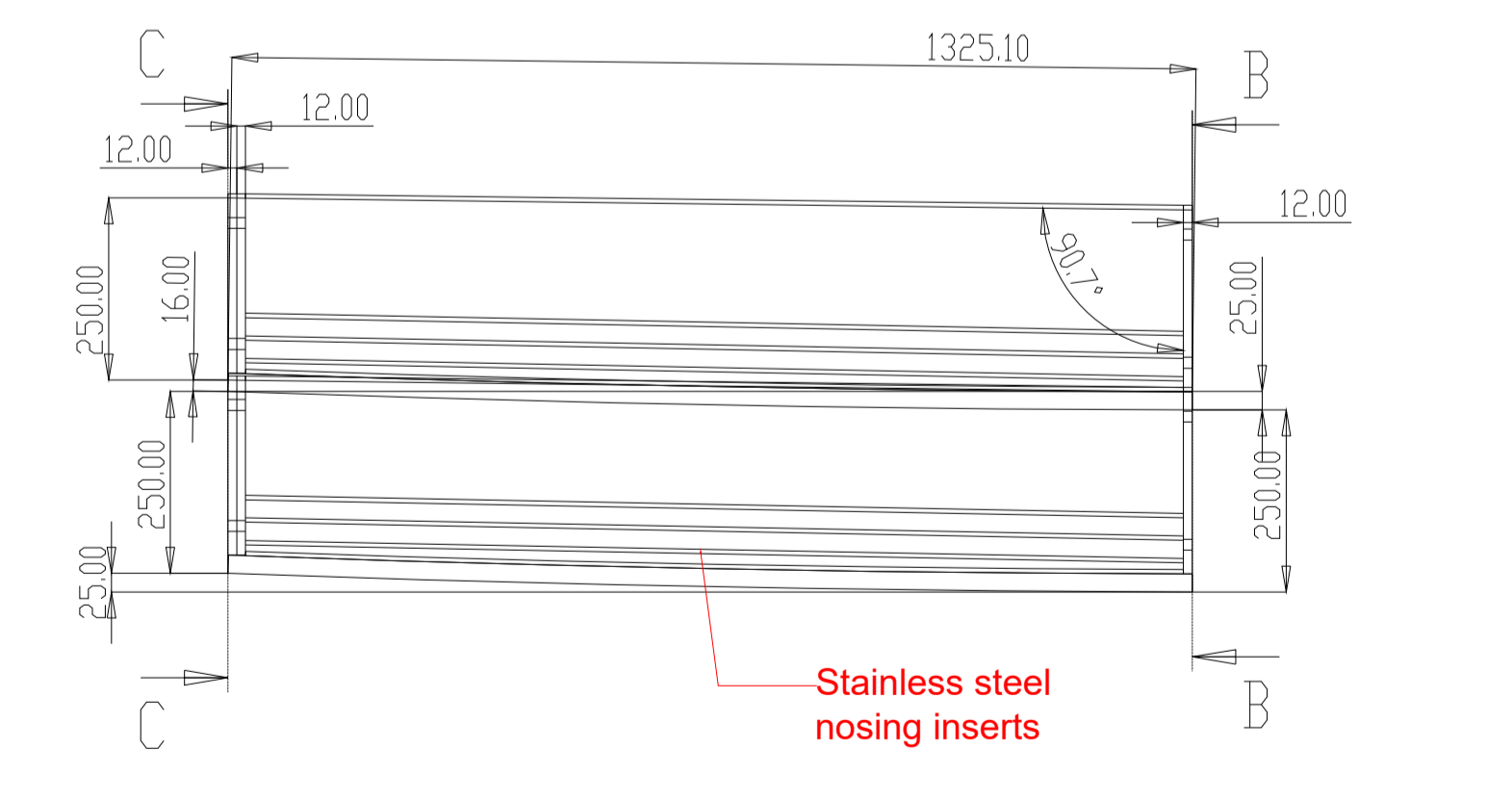


1 Proposed stair - Plan
1 : 25

2 Proposed staircase - Section
1 : 25



3 Typical treads - Plan
1 : 10

4 Typical treads - Section BB
1 : 10

5 Typical treads - Section CC
1 : 10

6 Typical handrail - Section DD
1 : 10

KEY	REV	DATE	DESCRIPTION	NOTES
	01	23/01/2023	INITIAL ISSUE	
	02	21/02/2023	PLANNING ISSUE	
	03	30/06/2023	UPDATED PLANNING ISSUE	

CLIENT:	HEALS
PROJECT MANAGER & QS:	COLLIERS
M.E.P ENGINEER:	-
STRUCTURAL ENGINEER:	-
FIRE ENGINEER:	-
PLANNING CONSULTANT:	TURLEY
CDM CONSULTANT:	-
APPROVED INSPECTOR:	-

NOTE
1. Do not scale from this drawing.
2. All dimensions to be checked on site by the contractor and such dimensions to be their responsibility.
3. Report all drawings errors, omissions, and discrepancies to the architect.
4. This document may be issued in an uncontrolled CAD format to enable others to use it as background information to make alterations and/or additions. In that instance the file will be accompanied by a PDF version. It is for those making such alterations and additions to ensure that they make use of current background information. WRA Ltd Accepts no liability for any such alterations or additions to the background information or arising out of changes to background information which occur prior to alterations or additions being made.

LOCATION	THE HEALS BUILDING 196 TOTTENHAM COURT LONDON W1T 7LQ			
PROJECT NAME:	The Heals Building - Tenant Works - New Staircase			
DRAWING TITLE:	Proposed Stair - Detail Plans & Sections			
DRAWN	CHECKED	SCALE @A1	STATUS	
SE	JJ	Varies	PLANNING	
PROJECT NO.	ZONE	TYPE	SHEET NO.	REVISION
5455	-	-	PL_00_400	03

WHITE RED ARCHITECTS				
45 Charlton Road London EC2A 3PD	TEL: 020 7859 4521 whitered.co.uk			
PROJECT NAME: The Heals Building - Tenant Works - New Staircase				
DRAWING TITLE: Proposed Stair - Detail Plans & Sections				
DRAWN	CHECKED	SCALE @A1	STATUS	
SE	JJ	Varies	PLANNING	
PROJECT NO.	ZONE	TYPE	SHEET NO.	REVISION
5455	-	-	PL_00_400	03

NOT FOR CONSTRUCTION