



**avasco
solar**



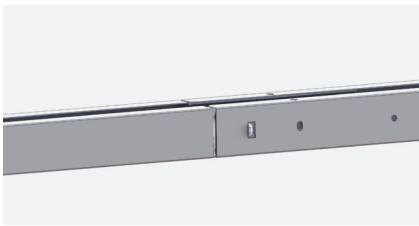
datasheet

SolarSpeed 3.0

**east-west orientation
landscape**



SolarSpeed advantages



✓ revolutionary click system

By means of this patented click system, basic-units can be pushed together and clicked into place even faster, which ensures even shorter installation times.



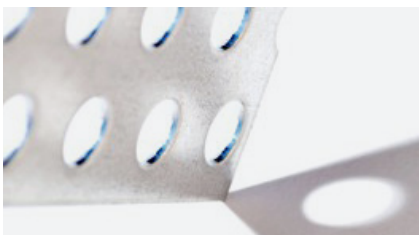
✓ quick clamps

These clamps literally click into the assembly triangles and ensure that not a second of your precious time is lost when mounting the modules on the frame.



✓ semi-assembled triangles

Working with semi-assembled triangles not only saves on installation time, but also drastically reduces the number of individual parts on the roof!

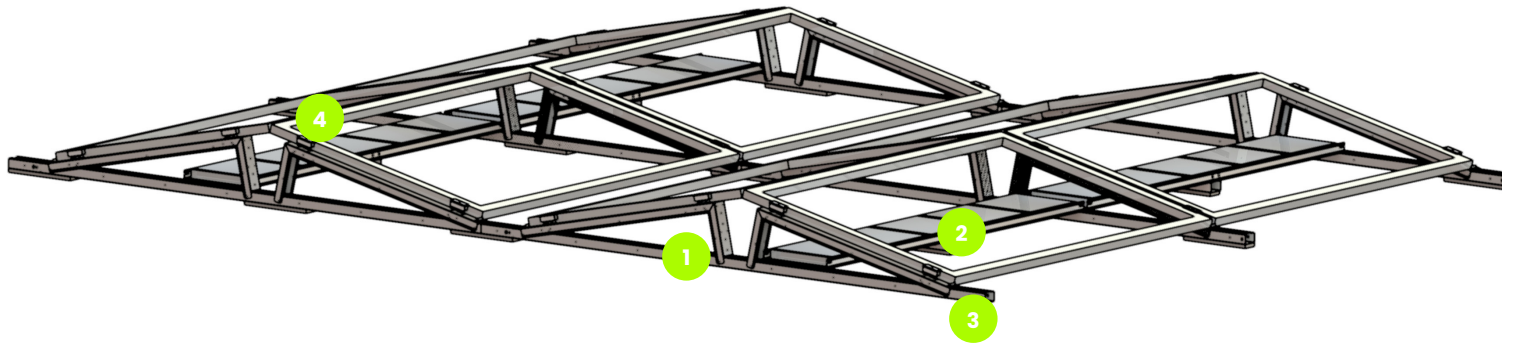


✓ made of zinc-magnesium steel


- Stronger than aluminium.
- Ideally suited for applications with demanding requirements for long-term corrosion resistance.
- Possesses unprecedented self-healing properties.



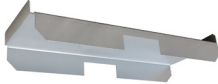



SolarSpeed components



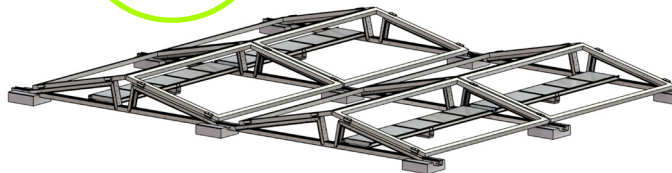
standard components

-  1 basic-unit: semi-assembled triangle + rail + protective rubbers*
-  2 set of L-profiles + centre piece
-  3 end rubber*
-  4 quick clamps

additional components

-  ballast support
-  spacer
-  concrete footing (12kg) + hammer plug
-  PP-footing

* We recommend rubber with an aluminium underlay for PVC roofs.



SolarSpeed on concrete footing

- Extremely suitable for gravel and green roofs.
- A much smaller amount of pebbles has to be removed compared to traditional frames.
- Easy to assemble by means of hammer plugs.
- Very good drainage due to increased space under the profiles
- Concrete footing also serve as ballast.

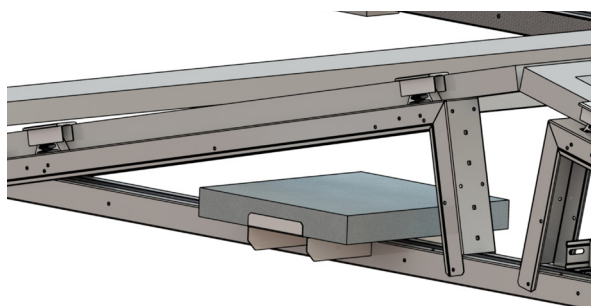
SolarSpeed ballast supply

with sets of L-profiles

- The sets of L-profiles are used to place ballast under the panels and also serve as extra reinforcement of the frame.
- The support in the middle serves to prevent sagging of the L-profiles. These are secured with sheet metal screws.
- The extra connection between the basic-units makes the installation an even stronger whole.

with ballast supports

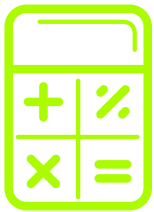
- Ballast supports can be placed on the inside of the installation.
- The ballast support can be quickly and easily slid over the ground profile of the basic-unit





ballast with online tool

online calculator

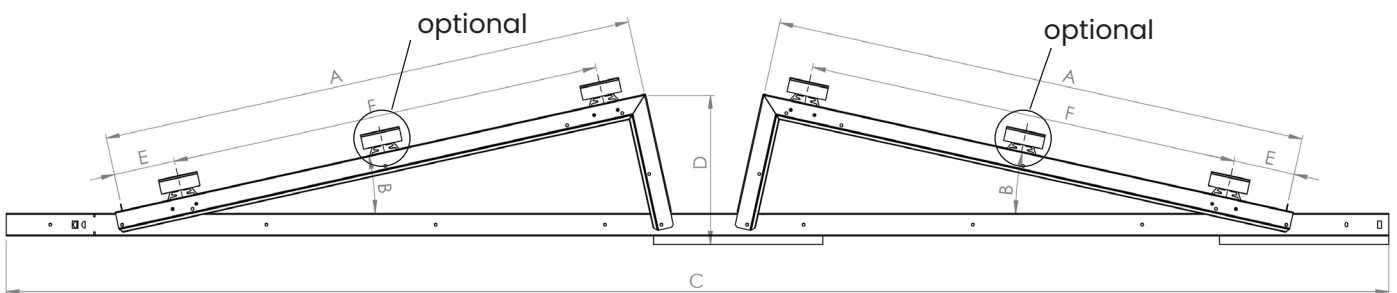


- With our free online software, you can work out your projects very quickly and easily!
- Define the location and environment, make a sketch of the roof, choose the panels and the mounting frame and after drawing up the PV installation, our software calculates the correct ballast plan.
- All information regarding roof loads, mounting structure and placement are included in a clear report, as well as a complete parts list with the required material for your project.

tested and approved

When developing our mounting frames, the most recent applicable standards and guidelines are always taken into account. In addition, these are extensively tested in various wind tunnels and the results have been incorporated into our calculations. In this way, we can present a complete technical file when elaborating your project.

dimensions and angles



PANEL DIMENSIONS	A	B	C	D	E	F	PITCH
UP TO 1055	950	12.5°	2450	243	109	765	2300
1056-1100	1020	12.5°	2500	280	109	835	2350
1101-1140	1020	12.5°	2600	280	109	835	2450

All lengths are expressed in mm.
Other spacings are available on request.



**avasco
solar**



100% belgian made

SolarSpeed is manufactured from A to Z at our production site in Ieper. As a result, we are always in control of the quality of our products, throughout the entire production process. This local production under our own management also ensures that we can respond to market demands in an extremely flexible way. The standards that are applied at all times are those of our quality management system, ISO 9001.



on-site delivery

We always have a large number of mounting frames in stock in our warehouse. This allows us to continue to guarantee short delivery times, even for your industrial projects. If desired, we can also deliver the materials directly to the site, both at home and abroad.

Avasco Solar nv
Rodenbachstraat 53
8908 Vlamertinge - Belgium
T +32 (0)57 27 15 00
VAT BE 0721.474.320
info@avasco-solar.be
www.avasco-solar.be

**solar
mounting
frames**