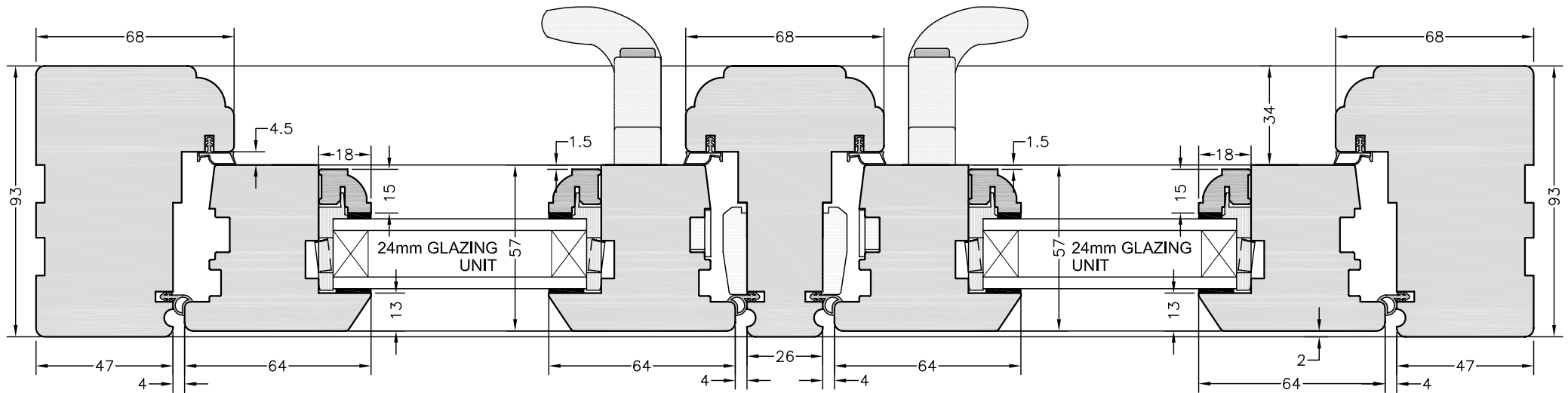


CONSERVATION CASEMENT SIDE SWING, 68/92mm MULLION DETAIL

12/12/2014 REVISION C

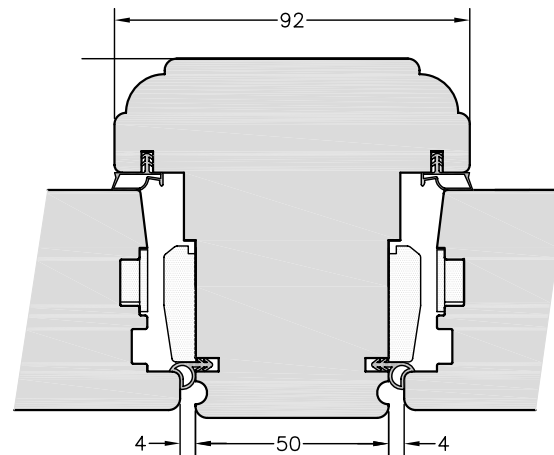
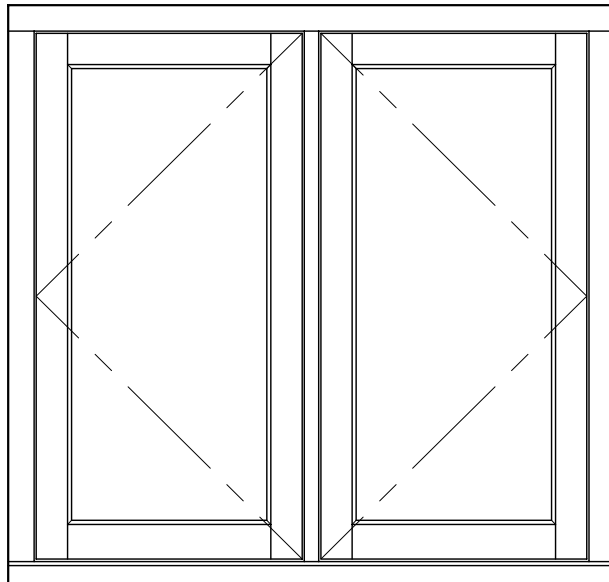
FILE: SW1-07SX

Ovolo Profile on Frame and Beading



JAMB/MULLION SECTION

Ovolo Profile shown, also available with
Lambs Tongue or Square Edge profile



See standard Specification drawing
for Frame and Sash details

**DUE TO PROGRESSIVE DEVELOPMENT
MUMFORD & WOOD LIMITED RESERVE
THE RIGHT TO MODIFY OR CHANGE
SPECIFICATIONS WITHOUT PRIOR NOTICE**

THIS DRAWING & SPECIFICATIONS ARE THE PROPERTY OF MUMFORD & WOOD Ltd. THEY ARE ISSUED IN STRICT CONFIDENCE AND SHALL NOT BE REPRODUCED, COPIED OR USED AS THE BASIS FOR MANUFACTURING WITHOUT WRITTEN PERMISSION.



TOWER BUSINESS PARK,
KELVEDON ROAD
TIPTREE, ESSEX
CO5 0LX
Tel: 01621 818155 FAX: 01621 818175
EMAIL: sales@mumfordwood.com
WEB: www.mumfordwood.com