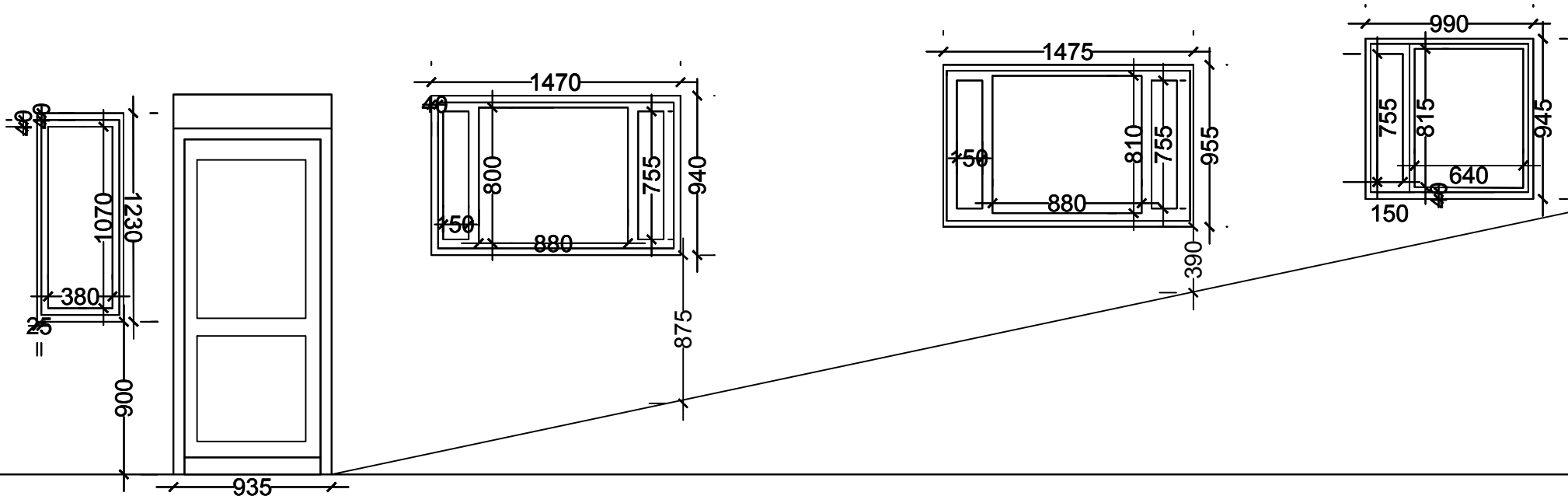


Existing Flank Elevation



2023/07/03	Flat 1, 14 Ellerdale Rd
Not to Scale.	DWG. No. TH/ER/X02