

## Titles

Job No.: 18860  
Job Title: 28 Charlotte Street  
Sub-title:  
Calculation Heading: Short-term heave  
Initials: DVT  
Checker:  
Date Saved:  
Date Checked:  
Notes:  
File Name: 18860\_HSt\_Rev1.02.pdd  
File Path: C:\Users\soils-user\Documents\Valerio Tedesco\BIA\18860\_28  
Charlotte Street\Rev1.02

## History

Date	Time	By	Notes
26-Oct-2022	19:33	soils	New
26-Oct-2022	20:20	soils	
15-Jun-2023	12:15	soils-user	
20-Jun-2023	09:56	soils-user	
20-Jun-2023	10:00	soils-user	Open

## Analysis Options

### General

Global Poisson's ratio: 0.50  
Maximum allowable ratio between values of E: 1.5  
Horizontal rigid boundary level: -15.00 [m OD]  
Displacements at load centroids: Yes  
GSA piled raft data : No

### Elastic

Elastic : Yes

### Consolidation

Consolidation : No

### Soil Profiles Soil Profile 1

Layer ref.	Name	Level at top	Number of intermediate displacement levels	Youngs Modulus : Top	Youngs Modulus : Btm.	Poissons ratio	Non-linear curve
		[mOD]		[kN/m <sup>2</sup> ]	[kN/m <sup>2</sup> ]		
1	MG	0.0	11	18000.	18000.	0.33000	None
2	LHGR	-5.3000	5	40000.	40000.	0.30000	None
3	LCF	-7.7000	15	50000.	77375.	0.50000	None

### Soil Profiles Soil Profile 2

Layer ref.	Name	Level at top	Number of intermediate displacement levels	Youngs Modulus : Top	Youngs Modulus : Btm.	Poissons ratio	Non-linear curve
		[mOD]		[kN/m <sup>2</sup> ]	[kN/m <sup>2</sup> ]		
1	MG	-3.5000	4	18000.	18000.	0.33000	None
2	LHGR	-5.3000	5	40000.	40000.	0.30000	None
3	LCF	-7.7000	15	50000.	77375.	0.50000	None

## Soil Zones

Zone	Name	X min	X max	Y min	Y max	Profile
		[m]	[m]	[m]	[m]	
1	o1	0.0	20.000	0.0	48.000	Soil Profile 1
2	o2	20.000	26.500	28.000	48.000	Soil Profile 1
3	o3	26.500	46.500	0.0	48.000	Soil Profile 1
4	o4	20.000	26.500	0.0	20.000	Soil Profile 1
5	o5	24.900	26.500	20.000	21.300	Soil Profile 1
6	i1	20.000	24.900	20.000	28.000	Soil Profile 2
7	i2	24.900	26.500	21.300	28.000	Soil Profile 2

### Rectangular Load Data

Load Name	Orientation	Centre	Centre	Centre	Position	Position	Position	Value :	Value
ref.	of Plane	(Global)	(Global)	(Global)	: Angle	: Width	: Length	Normal	
Tangential	Tangential	: x	: y	: z	of local	x or	y	(local z)	(local
x)	(local y)								
		[m]	[m]	[m]	x from	Radius	[m]	[m]	[kN/m <sup>2</sup> ]
[kN/m <sup>2</sup> ]	[kN/m <sup>2</sup> ]				[Degrees]				
1	Exc1	Horizontal	22.45000	24.00000	-3.50000	0.0	4.9000	8.0000	-63.000
0.0	0.0								
2	Exc2	Horizontal	25.70000	24.65000	-3.50000	0.0	1.6000	6.7000	-63.000
0.0	0.0								

### Displacement Lines

Name	X1	Y1	Z1	X2	Y2	Z2	Intervals	Calculate	Detailed
	[m]	[m]	[m]	[m]	[m]	[m]	[No.]		Results
CS1	20.00000	24.00000	-3.50000	14.50000	24.00000	-3.50000	20	Yes	Yes
CS2	20.00000	20.00000	-3.50000	26.50000	20.00000	-3.50000	20	Yes	Yes
CS3	23.25000	20.00000	-3.50000	23.25000	8.00000	-3.50000	20	Yes	Yes

### Displacement Grids

Name	Extrusion:	X1	Y1	Z1	X2	Y2	Z2	Intervals	Calculate	Detailed
Extrusion:	Extrusion:	Calculate	Detailed	Direction	Results	Along	Line			
Distance	Intervals							[No.]	[m]	
Along		[m]	[m]	[m]	[m]	[m]	[m]	[No.]	[m]	
[No.]										
Displacement Grid 1	Global X	0.25000	0.50000	-3.50000	-	47.50000	-3.50000	47		
46.00000	46	Yes	Yes							

### Results : Immediate : Load Centres : Rectangular

Ref.	Name	x	y	z	δz	Stress:	Stress:	Stress:
Vert.						Calc.	Vertical	Sum Princ.
Strain						Level		
[μ]		[m]	[m]	[mOD]	[mm]	[mOD]	[kN/m <sup>2</sup> ]	[kN/m <sup>2</sup> ]
1	Exc1	22.45000	24.00000	-3.50000	-7.90525	-3.6800	-62.992	-179.91
-0.0013561								
2	Exc2	25.70000	24.65000	-3.50000	-6.77831	-3.6800	-62.854	-171.84
-0.0014938								

### Results : Consolidation : Load Centres : Rectangular



2 CS2	21.62500	20.00000	-3.50000	-3.91565	-3.6800	-31.490	-89.643
-683.32E-6							
2 CS2	21.95000	20.00000	-3.50000	-3.99045	-3.6800	-31.494	-90.063
-675.89E-6							
2 CS2	22.27500	20.00000	-3.50000	-4.03721	-3.6800	-31.495	-90.293
-671.77E-6							
2 CS2	22.60000	20.00000	-3.50000	-4.05915	-3.6800	-31.496	-90.378
-670.23E-6							
2 CS2	22.92500	20.00000	-3.50000	-4.05673	-3.6800	-31.495	-90.324
-671.19E-6							
2 CS2	23.25000	20.00000	-3.50000	-4.02759	-3.6800	-31.492	-90.099
-675.13E-6							
2 CS2	23.57500	20.00000	-3.50000	-3.96553	-3.6800	-31.486	-89.615
-683.52E-6							
2 CS2	23.90000	20.00000	-3.50000	-3.85772	-3.6800	-31.466	-88.643
-699.90E-6							
2 CS2	24.22500	20.00000	-3.50000	-3.67837	-3.6800	-31.390	-86.508
-733.38E-6							
2 CS2	24.55000	20.00000	-3.50000	-3.37318	-3.6800	-30.825	-80.424
-803.18E-6							
2 CS2	24.87500	20.00000	-3.50000	-2.68584	-3.6800	-18.514	-51.973
-415.11E-6							
2 CS2	25.20000	20.00000	-3.50000	-1.85663	-3.7250	-1.6726	-20.435
251.05E-6							
2 CS2	25.52500	20.00000	-3.50000	-1.49462	-3.7250	-0.30656	-11.719
192.20E-6							
2 CS2	25.85000	20.00000	-3.50000	-1.24860	-3.7250	-0.12065	-8.3989
145.06E-6							
2 CS2	26.17500	20.00000	-3.50000	-1.05903	-3.7250	-0.069251	-6.5684
115.30E-6							
2 CS2	26.50000	20.00000	-3.50000	-0.90060	-3.7250	-0.045549	-5.2969
93.745E-6							
3 CS3	23.25000	20.00000	-3.50000	-4.02759	-3.6800	-31.492	-90.099
-675.13E-6							
3 CS3	23.25000	19.40000	-3.50000	-1.85093	-3.7250	-0.59168	-16.753
263.43E-6							
3 CS3	23.25000	18.80000	-3.50000	-1.09688	-3.7250	-0.078376	-6.9496
121.62E-6							
3 CS3	23.25000	18.20000	-3.50000	-0.69632	-3.7250	-0.021808	-3.8121
68.276E-6							
3 CS3	23.25000	17.60000	-3.50000	-0.45128	-3.7250	-0.0084317	-2.3876
43.149E-6							
3 CS3	23.25000	17.00000	-3.50000	-0.28901	-3.7250	-0.0039323	-1.6196
29.402E-6							
3 CS3	23.25000	16.40000	-3.50000	-0.17704	-3.7250	-0.0020724	-1.1600
21.114E-6							
3 CS3	23.25000	15.80000	-3.50000	-0.09817	-3.7250	-0.0011909	-0.86460
15.763E-6							
3 CS3	23.25000	15.20000	-3.50000	-0.04216	-3.7250	-730.30E-6	-0.66449
12.128E-6							
3 CS3	23.25000	14.60000	-3.50000	-0.00234	-3.7250	-471.08E-6	-0.52334
9.5598E-6							
3 CS3	23.25000	14.00000	-3.50000	0.02578	-3.7250	-316.49E-6	-0.42051
7.6860E-6							
3 CS3	23.25000	13.40000	-3.50000	0.04536	-3.7250	-219.87E-6	-0.34358
6.2828E-6							
3 CS3	23.25000	12.80000	-3.50000	0.05869	-3.7250	-157.08E-6	-0.28474
5.2087E-6							
3 CS3	23.25000	12.20000	-3.50000	0.06739	-3.7250	-114.94E-6	-0.23888
4.3711E-6							
3 CS3	23.25000	11.60000	-3.50000	0.07271	-3.7250	-85.843E-6	-0.20256
3.7072E-6							
3 CS3	23.25000	11.00000	-3.50000	0.07552	-3.7250	-65.272E-6	-0.17337
3.1736E-6							
3 CS3	23.25000	10.40000	-3.50000	0.07651	-3.7250	-50.417E-6	-0.14962
2.7394E-6							
3 CS3	23.25000	9.80000	-3.50000	0.07619	-3.7250	-39.489E-6	-0.13009
2.3821E-6							
3 CS3	23.25000	9.20000	-3.50000	0.07492	-3.7250	-31.317E-6	-0.11387
2.0853E-6							
3 CS3	23.25000	8.60000	-3.50000	0.07301	-3.7250	-25.116E-6	-0.10027

1.8364E-6  
 3 CS3 23.25000 8.00000 -3.50000 0.07065 -3.7250 -20.347E-6 -0.088784  
 1.6262E-6

## Results : Consolidation : Displacement Data : Lines

None

## Results : Total : Displacement Data : Lines

None

## Results : Immediate : Displacement Data : Grids

Ref.	Name	x	y	z	$\delta z$	Stress:	Stress:	
Stress:	Vert.					Calc.	Vertical	Sum
Princ.	Strain					Level		
[kN/m <sup>2</sup> ]	[ $\mu$ ]	[m]	[m]	[mOD]	[mm]	[mOD]	[kN/m <sup>2</sup> ]	
-0.0096749	177.34E-9	0.25000	0.50000	-3.50000	0.01753	-3.7250	-468.63E-9	
-0.010320	189.16E-9	1.25000	0.50000	-3.50000	0.01849	-3.7250	-522.48E-9	
-0.011006	201.74E-9	2.25000	0.50000	-3.50000	0.01949	-3.7250	-582.40E-9	
-0.011735	215.09E-9	3.25000	0.50000	-3.50000	0.02054	-3.7250	-648.90E-9	
-0.012506	229.22E-9	4.25000	0.50000	-3.50000	0.02162	-3.7250	-722.48E-9	
-0.013319	244.11E-9	5.25000	0.50000	-3.50000	0.02273	-3.7250	-803.55E-9	
-0.014172	259.75E-9	6.25000	0.50000	-3.50000	0.02387	-3.7250	-892.46E-9	
-0.015063	276.08E-9	7.25000	0.50000	-3.50000	0.02504	-3.7250	-989.43E-9	
-0.015988	293.04E-9	8.25000	0.50000	-3.50000	0.02621	-3.7250	-1.0945E-6	
-0.016943	310.54E-9	9.25000	0.50000	-3.50000	0.02740	-3.7250	-1.2074E-6	
-0.017920	328.44E-9	10.25000	0.50000	-3.50000	0.02858	-3.7250	-1.3277E-6	
-0.018911	346.59E-9	11.25000	0.50000	-3.50000	0.02975	-3.7250	-1.4545E-6	
-0.019905	364.80E-9	12.25000	0.50000	-3.50000	0.03090	-3.7250	-1.5865E-6	
-0.020889	382.85E-9	13.25000	0.50000	-3.50000	0.03200	-3.7250	-1.7218E-6	
-0.021851	400.46E-9	14.25000	0.50000	-3.50000	0.03306	-3.7250	-1.8583E-6	
-0.022773	417.36E-9	15.25000	0.50000	-3.50000	0.03404	-3.7250	-1.9932E-6	
-0.023639	433.23E-9	16.25000	0.50000	-3.50000	0.03495	-3.7250	-2.1234E-6	
-0.024432	447.75E-9	17.25000	0.50000	-3.50000	0.03577	-3.7250	-2.2453E-6	
-0.025133	460.61E-9	18.25000	0.50000	-3.50000	0.03648	-3.7250	-2.3555E-6	
-0.025728	471.49E-9	19.25000	0.50000	-3.50000	0.03707	-3.7250	-2.4502E-6	
-0.026200	480.14E-9	20.25000	0.50000	-3.50000	0.03754	-3.7250	-2.5263E-6	
-0.026537	486.32E-9	21.25000	0.50000	-3.50000	0.03787	-3.7250	-2.5808E-6	
		22.25000	0.50000	-3.50000	0.03806	-3.7250	-2.6119E-6	

-0.026731	489.88E-9						
1 Displacement Grid 1	23.25000	0.50000	-3.50000	0.03811	-3.7250	-2.6182E-6	
-0.026776	490.70E-9						
1 Displacement Grid 1	24.25000	0.50000	-3.50000	0.03802	-3.7250	-2.5997E-6	
-0.026671	488.78E-9						
1 Displacement Grid 1	25.25000	0.50000	-3.50000	0.03778	-3.7250	-2.5569E-6	
-0.026420	484.17E-9						
1 Displacement Grid 1	26.25000	0.50000	-3.50000	0.03740	-3.7250	-2.4918E-6	
-0.026029	477.01E-9						
1 Displacement Grid 1	27.25000	0.50000	-3.50000	0.03690	-3.7250	-2.4068E-6	
-0.025508	467.48E-9						
1 Displacement Grid 1	28.25000	0.50000	-3.50000	0.03626	-3.7250	-2.3048E-6	
-0.024873	455.83E-9						
1 Displacement Grid 1	29.25000	0.50000	-3.50000	0.03552	-3.7250	-2.1895E-6	
-0.024137	442.36E-9						
1 Displacement Grid 1	30.25000	0.50000	-3.50000	0.03468	-3.7250	-2.0642E-6	
-0.023319	427.36E-9						
1 Displacement Grid 1	31.25000	0.50000	-3.50000	0.03374	-3.7250	-1.9326E-6	
-0.022434	411.15E-9						
1 Displacement Grid 1	32.25000	0.50000	-3.50000	0.03273	-3.7250	-1.7978E-6	
-0.021501	394.06E-9						
1 Displacement Grid 1	33.25000	0.50000	-3.50000	0.03167	-3.7250	-1.6627E-6	
-0.020535	376.36E-9						
1 Displacement Grid 1	34.25000	0.50000	-3.50000	0.03055	-3.7250	-1.5298E-6	
-0.019552	358.34E-9						
1 Displacement Grid 1	35.25000	0.50000	-3.50000	0.02940	-3.7250	-1.4011E-6	
-0.018564	340.24E-9						
1 Displacement Grid 1	36.25000	0.50000	-3.50000	0.02823	-3.7250	-1.2780E-6	
-0.017583	322.26E-9						
1 Displacement Grid 1	37.25000	0.50000	-3.50000	0.02705	-3.7250	-1.1616E-6	
-0.016619	304.59E-9						
1 Displacement Grid 1	38.25000	0.50000	-3.50000	0.02586	-3.7250	-1.0528E-6	
-0.015679	287.37E-9						
1 Displacement Grid 1	39.25000	0.50000	-3.50000	0.02469	-3.7250	-951.69E-9	
-0.014770	270.71E-9						
1 Displacement Grid 1	40.25000	0.50000	-3.50000	0.02354	-3.7250	-858.56E-9	
-0.013895	254.68E-9						
1 Displacement Grid 1	41.25000	0.50000	-3.50000	0.02241	-3.7250	-773.26E-9	
-0.013059	239.36E-9						
1 Displacement Grid 1	42.25000	0.50000	-3.50000	0.02131	-3.7250	-695.54E-9	
-0.012264	224.78E-9						
1 Displacement Grid 1	43.25000	0.50000	-3.50000	0.02024	-3.7250	-625.04E-9	
-0.011510	210.96E-9						
1 Displacement Grid 1	44.25000	0.50000	-3.50000	0.01921	-3.7250	-561.31E-9	
-0.010797	197.91E-9						
1 Displacement Grid 1	45.25000	0.50000	-3.50000	0.01822	-3.7250	-503.89E-9	
-0.010126	185.61E-9						
1 Displacement Grid 1	46.25000	0.50000	-3.50000	0.01727	-3.7250	-452.26E-9	
-0.0094958	174.06E-9						
1 Displacement Grid 1	0.25000	1.50000	-3.50000	0.01852	-3.7250	-523.67E-9	
-0.010337	189.46E-9						
1 Displacement Grid 1	1.25000	1.50000	-3.50000	0.01957	-3.7250	-586.81E-9	
-0.011059	202.70E-9						
1 Displacement Grid 1	2.25000	1.50000	-3.50000	0.02068	-3.7250	-657.59E-9	
-0.011831	216.85E-9						
1 Displacement Grid 1	3.25000	1.50000	-3.50000	0.02183	-3.7250	-736.75E-9	
-0.012655	231.96E-9						
1 Displacement Grid 1	4.25000	1.50000	-3.50000	0.02302	-3.7250	-825.03E-9	
-0.013532	248.03E-9						
1 Displacement Grid 1	5.25000	1.50000	-3.50000	0.02426	-3.7250	-923.11E-9	
-0.014462	265.07E-9						
1 Displacement Grid 1	6.25000	1.50000	-3.50000	0.02553	-3.7250	-1.0316E-6	
-0.015444	283.06E-9						
1 Displacement Grid 1	7.25000	1.50000	-3.50000	0.02683	-3.7250	-1.1510E-6	
-0.016476	301.98E-9						
1 Displacement Grid 1	8.25000	1.50000	-3.50000	0.02815	-3.7250	-1.2815E-6	
-0.017555	321.74E-9						
1 Displacement Grid 1	9.25000	1.50000	-3.50000	0.02948	-3.7250	-1.4231E-6	
-0.018675	342.26E-9						
1 Displacement Grid 1	10.25000	1.50000	-3.50000	0.03081	-3.7250	-1.5754E-6	
-0.019828	363.40E-9						

1 Displacement Grid 1	11.25000	1.50000	-3.50000	0.03213	-3.7250	-1.7374E-6
-0.021005 384.97E-9						
1 Displacement Grid 1	12.25000	1.50000	-3.50000	0.03343	-3.7250	-1.9076E-6
-0.022194 406.75E-9						
1 Displacement Grid 1	13.25000	1.50000	-3.50000	0.03468	-3.7250	-2.0837E-6
-0.023379 428.46E-9						
1 Displacement Grid 1	14.25000	1.50000	-3.50000	0.03588	-3.7250	-2.2630E-6
-0.024543 449.79E-9						
1 Displacement Grid 1	15.25000	1.50000	-3.50000	0.03700	-3.7250	-2.4416E-6
-0.025666 470.37E-9						
1 Displacement Grid 1	16.25000	1.50000	-3.50000	0.03804	-3.7250	-2.6153E-6
-0.026727 489.80E-9						
1 Displacement Grid 1	17.25000	1.50000	-3.50000	0.03897	-3.7250	-2.7792E-6
-0.027703 507.67E-9						
1 Displacement Grid 1	18.25000	1.50000	-3.50000	0.03978	-3.7250	-2.9282E-6
-0.028570 523.57E-9						
1 Displacement Grid 1	19.25000	1.50000	-3.50000	0.04046	-3.7250	-3.0570E-6
-0.029307 537.07E-9						
1 Displacement Grid 1	20.25000	1.50000	-3.50000	0.04099	-3.7250	-3.1608E-6
-0.029894 547.83E-9						
1 Displacement Grid 1	21.25000	1.50000	-3.50000	0.04137	-3.7250	-3.2354E-6
-0.030315 555.53E-9						
1 Displacement Grid 1	22.25000	1.50000	-3.50000	0.04160	-3.7250	-3.2778E-6
-0.030556 559.95E-9						
1 Displacement Grid 1	23.25000	1.50000	-3.50000	0.04165	-3.7250	-3.2863E-6
-0.030611 560.97E-9						
1 Displacement Grid 1	24.25000	1.50000	-3.50000	0.04154	-3.7250	-3.2604E-6
-0.030479 558.55E-9						
1 Displacement Grid 1	25.25000	1.50000	-3.50000	0.04127	-3.7250	-3.2015E-6
-0.030164 552.77E-9						
1 Displacement Grid 1	26.25000	1.50000	-3.50000	0.04084	-3.7250	-3.1122E-6
-0.029675 543.82E-9						
1 Displacement Grid 1	27.25000	1.50000	-3.50000	0.04026	-3.7250	-2.9960E-6
-0.029028 531.96E-9						
1 Displacement Grid 1	28.25000	1.50000	-3.50000	0.03954	-3.7250	-2.8576E-6
-0.028240 517.52E-9						
1 Displacement Grid 1	29.25000	1.50000	-3.50000	0.03869	-3.7250	-2.7020E-6
-0.027332 500.88E-9						
1 Displacement Grid 1	30.25000	1.50000	-3.50000	0.03773	-3.7250	-2.5342E-6
-0.026326 482.46E-9						
1 Displacement Grid 1	31.25000	1.50000	-3.50000	0.03666	-3.7250	-2.3593E-6
-0.025245 462.66E-9						
1 Displacement Grid 1	32.25000	1.50000	-3.50000	0.03552	-3.7250	-2.1816E-6
-0.024112 441.89E-9						
1 Displacement Grid 1	33.25000	1.50000	-3.50000	0.03430	-3.7250	-2.0052E-6
-0.022946 420.52E-9						
1 Displacement Grid 1	34.25000	1.50000	-3.50000	0.03304	-3.7250	-1.8331E-6
-0.021766 398.90E-9						
1 Displacement Grid 1	35.25000	1.50000	-3.50000	0.03174	-3.7250	-1.6679E-6
-0.020588 377.32E-9						
1 Displacement Grid 1	36.25000	1.50000	-3.50000	0.03041	-3.7250	-1.5115E-6
-0.019425 356.02E-9						
1 Displacement Grid 1	37.25000	1.50000	-3.50000	0.02908	-3.7250	-1.3650E-6
-0.018290 335.22E-9						
1 Displacement Grid 1	38.25000	1.50000	-3.50000	0.02776	-3.7250	-1.2291E-6
-0.017191 315.08E-9						
1 Displacement Grid 1	39.25000	1.50000	-3.50000	0.02645	-3.7250	-1.1041E-6
-0.016134 295.71E-9						
1 Displacement Grid 1	40.25000	1.50000	-3.50000	0.02516	-3.7250	-989.92E-9
-0.015124 277.20E-9						
1 Displacement Grid 1	41.25000	1.50000	-3.50000	0.02390	-3.7250	-886.24E-9
-0.014164 259.61E-9						
1 Displacement Grid 1	42.25000	1.50000	-3.50000	0.02268	-3.7250	-792.55E-9
-0.013256 242.96E-9						
1 Displacement Grid 1	43.25000	1.50000	-3.50000	0.02150	-3.7250	-708.24E-9
-0.012400 227.27E-9						
1 Displacement Grid 1	44.25000	1.50000	-3.50000	0.02036	-3.7250	-632.62E-9
-0.011595 212.53E-9						
1 Displacement Grid 1	45.25000	1.50000	-3.50000	0.01928	-3.7250	-564.98E-9
-0.010842 198.72E-9						
1 Displacement Grid 1	46.25000	1.50000	-3.50000	0.01824	-3.7250	-504.60E-9

-0.010137	185.80E-9						
1 Displacement	Grid 1	0.25000	2.50000	-3.50000	0.01955	-3.7250	-585.14E-9
-0.011043	202.41E-9						
1 Displacement	Grid 1	1.25000	2.50000	-3.50000	0.02071	-3.7250	-659.19E-9
-0.011851	217.23E-9						
1 Displacement	Grid 1	2.25000	2.50000	-3.50000	0.02192	-3.7250	-742.83E-9
-0.012721	233.16E-9						
1 Displacement	Grid 1	3.25000	2.50000	-3.50000	0.02319	-3.7250	-837.14E-9
-0.013654	250.26E-9						
1 Displacement	Grid 1	4.25000	2.50000	-3.50000	0.02451	-3.7250	-943.19E-9
-0.014652	268.55E-9						
1 Displacement	Grid 1	5.25000	2.50000	-3.50000	0.02588	-3.7250	-1.0621E-6
-0.015717	288.07E-9						
1 Displacement	Grid 1	6.25000	2.50000	-3.50000	0.02729	-3.7250	-1.1948E-6
-0.016850	308.82E-9						
1 Displacement	Grid 1	7.25000	2.50000	-3.50000	0.02875	-3.7250	-1.3422E-6
-0.018047	330.77E-9						
1 Displacement	Grid 1	8.25000	2.50000	-3.50000	0.03022	-3.7250	-1.5050E-6
-0.019308	353.86E-9						
1 Displacement	Grid 1	9.25000	2.50000	-3.50000	0.03172	-3.7250	-1.6834E-6
-0.020625	378.01E-9						
1 Displacement	Grid 1	10.25000	2.50000	-3.50000	0.03322	-3.7250	-1.8772E-6
-0.021992	403.05E-9						
1 Displacement	Grid 1	11.25000	2.50000	-3.50000	0.03471	-3.7250	-2.0856E-6
-0.023397	428.80E-9						
1 Displacement	Grid 1	12.25000	2.50000	-3.50000	0.03617	-3.7250	-2.3067E-6
-0.024826	454.98E-9						
1 Displacement	Grid 1	13.25000	2.50000	-3.50000	0.03759	-3.7250	-2.5380E-6
-0.026261	481.26E-9						
1 Displacement	Grid 1	14.25000	2.50000	-3.50000	0.03895	-3.7250	-2.7756E-6
-0.027680	507.26E-9						
1 Displacement	Grid 1	15.25000	2.50000	-3.50000	0.04023	-3.7250	-3.0147E-6
-0.029058	532.50E-9						
1 Displacement	Grid 1	16.25000	2.50000	-3.50000	0.04140	-3.7250	-3.2493E-6
-0.030367	556.49E-9						
1 Displacement	Grid 1	17.25000	2.50000	-3.50000	0.04246	-3.7250	-3.4724E-6
-0.031578	578.68E-9						
1 Displacement	Grid 1	18.25000	2.50000	-3.50000	0.04339	-3.7250	-3.6766E-6
-0.032660	598.50E-9						
1 Displacement	Grid 1	19.25000	2.50000	-3.50000	0.04416	-3.7250	-3.8542E-6
-0.033584	615.42E-9						
1 Displacement	Grid 1	20.25000	2.50000	-3.50000	0.04477	-3.7250	-3.9980E-6
-0.034321	628.93E-9						
1 Displacement	Grid 1	21.25000	2.50000	-3.50000	0.04520	-3.7250	-4.1016E-6
-0.034851	638.62E-9						
1 Displacement	Grid 1	22.25000	2.50000	-3.50000	0.04546	-3.7250	-4.1605E-6
-0.035154	644.19E-9						
1 Displacement	Grid 1	23.25000	2.50000	-3.50000	0.04552	-3.7250	-4.1719E-6
-0.035223	645.45E-9						
1 Displacement	Grid 1	24.25000	2.50000	-3.50000	0.04540	-3.7250	-4.1354E-6
-0.035055	642.36E-9						
1 Displacement	Grid 1	25.25000	2.50000	-3.50000	0.04509	-3.7250	-4.0528E-6
-0.034655	635.04E-9						
1 Displacement	Grid 1	26.25000	2.50000	-3.50000	0.04460	-3.7250	-3.9283E-6
-0.034038	623.75E-9						
1 Displacement	Grid 1	27.25000	2.50000	-3.50000	0.04394	-3.7250	-3.7673E-6
-0.033224	608.83E-9						
1 Displacement	Grid 1	28.25000	2.50000	-3.50000	0.04312	-3.7250	-3.5768E-6
-0.032237	590.75E-9						
1 Displacement	Grid 1	29.25000	2.50000	-3.50000	0.04215	-3.7250	-3.3641E-6
-0.031106	570.03E-9						
1 Displacement	Grid 1	30.25000	2.50000	-3.50000	0.04105	-3.7250	-3.1367E-6
-0.029861	547.21E-9						
1 Displacement	Grid 1	31.25000	2.50000	-3.50000	0.03984	-3.7250	-2.9017E-6
-0.028530	522.84E-9						
1 Displacement	Grid 1	32.25000	2.50000	-3.50000	0.03854	-3.7250	-2.6652E-6
-0.027144	497.44E-9						
1 Displacement	Grid 1	33.25000	2.50000	-3.50000	0.03716	-3.7250	-2.4327E-6
-0.025727	471.48E-9						
1 Displacement	Grid 1	34.25000	2.50000	-3.50000	0.03573	-3.7250	-2.2081E-6
-0.024303	445.40E-9						



1 Displacement Grid 1	35.25000	2.50000	-3.50000	0.03426	-3.7250	-1.9948E-6
-0.022892 419.54E-9						
1 Displacement Grid 1	36.25000	2.50000	-3.50000	0.03277	-3.7250	-1.7947E-6
-0.021509 394.21E-9						
1 Displacement Grid 1	37.25000	2.50000	-3.50000	0.03127	-3.7250	-1.6093E-6
-0.020169 369.64E-9						
1 Displacement Grid 1	38.25000	2.50000	-3.50000	0.02979	-3.7250	-1.4389E-6
-0.018879 346.01E-9						
1 Displacement Grid 1	39.25000	2.50000	-3.50000	0.02832	-3.7250	-1.2838E-6
-0.017647 323.44E-9						
1 Displacement Grid 1	40.25000	2.50000	-3.50000	0.02688	-3.7250	-1.1434E-6
-0.016478 302.02E-9						
1 Displacement Grid 1	41.25000	2.50000	-3.50000	0.02548	-3.7250	-1.0171E-6
-0.015374 281.79E-9						
1 Displacement Grid 1	42.25000	2.50000	-3.50000	0.02413	-3.7250	-904.02E-9
-0.014336 262.76E-9						
1 Displacement Grid 1	43.25000	2.50000	-3.50000	0.02283	-3.7250	-803.07E-9
-0.013364 244.94E-9						
1 Displacement Grid 1	44.25000	2.50000	-3.50000	0.02158	-3.7250	-713.27E-9
-0.012455 228.29E-9						
1 Displacement Grid 1	45.25000	2.50000	-3.50000	0.02038	-3.7250	-633.56E-9
-0.011608 212.77E-9						
1 Displacement Grid 1	46.25000	2.50000	-3.50000	0.01925	-3.7250	-562.94E-9
-0.010820 198.33E-9						
1 Displacement Grid 1	0.25000	3.50000	-3.50000	0.02063	-3.7250	-653.63E-9
-0.011795 216.20E-9						
1 Displacement Grid 1	1.25000	3.50000	-3.50000	0.02189	-3.7250	-740.44E-9
-0.012700 232.79E-9						
1 Displacement Grid 1	2.25000	3.50000	-3.50000	0.02323	-3.7250	-839.30E-9
-0.013679 250.72E-9						
1 Displacement Grid 1	3.25000	3.50000	-3.50000	0.02462	-3.7250	-951.70E-9
-0.014735 270.08E-9						
1 Displacement Grid 1	4.25000	3.50000	-3.50000	0.02608	-3.7250	-1.0792E-6
-0.015873 290.92E-9						
1 Displacement Grid 1	5.25000	3.50000	-3.50000	0.02760	-3.7250	-1.2236E-6
-0.017094 313.31E-9						
1 Displacement Grid 1	6.25000	3.50000	-3.50000	0.02917	-3.7250	-1.3863E-6
-0.018402 337.26E-9						
1 Displacement Grid 1	7.25000	3.50000	-3.50000	0.03079	-3.7250	-1.5689E-6
-0.019795 362.78E-9						
1 Displacement Grid 1	8.25000	3.50000	-3.50000	0.03244	-3.7250	-1.7727E-6
-0.021271 389.84E-9						
1 Displacement Grid 1	9.25000	3.50000	-3.50000	0.03412	-3.7250	-1.9985E-6
-0.022826 418.33E-9						
1 Displacement Grid 1	10.25000	3.50000	-3.50000	0.03580	-3.7250	-2.2465E-6
-0.024452 448.12E-9						
1 Displacement Grid 1	11.25000	3.50000	-3.50000	0.03748	-3.7250	-2.5162E-6
-0.026137 478.99E-9						
1 Displacement Grid 1	12.25000	3.50000	-3.50000	0.03913	-3.7250	-2.8058E-6
-0.027863 510.62E-9						
1 Displacement Grid 1	13.25000	3.50000	-3.50000	0.04073	-3.7250	-3.1122E-6
-0.029611 542.63E-9						
1 Displacement Grid 1	14.25000	3.50000	-3.50000	0.04227	-3.7250	-3.4305E-6
-0.031352 574.53E-9						
1 Displacement Grid 1	15.25000	3.50000	-3.50000	0.04371	-3.7250	-3.7542E-6
-0.033056 605.75E-9						
1 Displacement Grid 1	16.25000	3.50000	-3.50000	0.04505	-3.7250	-4.0751E-6
-0.034686 635.61E-9						
1 Displacement Grid 1	17.25000	3.50000	-3.50000	0.04625	-3.7250	-4.3831E-6
-0.036204 663.41E-9						
1 Displacement Grid 1	18.25000	3.50000	-3.50000	0.04729	-3.7250	-4.6672E-6
-0.037567 688.39E-9						
1 Displacement Grid 1	19.25000	3.50000	-3.50000	0.04817	-3.7250	-4.9160E-6
-0.038736 709.80E-9						
1 Displacement Grid 1	20.25000	3.50000	-3.50000	0.04886	-3.7250	-5.1184E-6
-0.039673 726.97E-9						
1 Displacement Grid 1	21.25000	3.50000	-3.50000	0.04935	-3.7250	-5.2648E-6
-0.040347 739.31E-9						
1 Displacement Grid 1	22.25000	3.50000	-3.50000	0.04964	-3.7250	-5.3478E-6
-0.040734 746.39E-9						
1 Displacement Grid 1	23.25000	3.50000	-3.50000	0.04971	-3.7250	-5.3633E-6

-0.040820	747.96E-9						
1 Displacement Grid 1		24.25000	3.50000	-3.50000	0.04958	-3.7250	-5.3107E-6
-0.040602	743.98E-9						
1 Displacement Grid 1		25.25000	3.50000	-3.50000	0.04923	-3.7250	-5.1930E-6
-0.040090	734.60E-9						
1 Displacement Grid 1		26.25000	3.50000	-3.50000	0.04867	-3.7250	-5.0164E-6
-0.039302	720.17E-9						
1 Displacement Grid 1		27.25000	3.50000	-3.50000	0.04793	-3.7250	-4.7898E-6
-0.038267	701.21E-9						
1 Displacement Grid 1		28.25000	3.50000	-3.50000	0.04700	-3.7250	-4.5235E-6
-0.037019	678.35E-9						
1 Displacement Grid 1		29.25000	3.50000	-3.50000	0.04590	-3.7250	-4.2287E-6
-0.035596	652.29E-9						
1 Displacement Grid 1		30.25000	3.50000	-3.50000	0.04466	-3.7250	-3.9165E-6
-0.034040	623.78E-9						
1 Displacement Grid 1		31.25000	3.50000	-3.50000	0.04329	-3.7250	-3.5971E-6
-0.032389	593.54E-9						
1 Displacement Grid 1		32.25000	3.50000	-3.50000	0.04181	-3.7250	-3.2791E-6
-0.030681	562.24E-9						
1 Displacement Grid 1		33.25000	3.50000	-3.50000	0.04025	-3.7250	-2.9696E-6
-0.028949	530.51E-9						
1 Displacement Grid 1		34.25000	3.50000	-3.50000	0.03864	-3.7250	-2.6743E-6
-0.027221	498.86E-9						
1 Displacement Grid 1		35.25000	3.50000	-3.50000	0.03698	-3.7250	-2.3967E-6
-0.025523	467.74E-9						
1 Displacement Grid 1		36.25000	3.50000	-3.50000	0.03530	-3.7250	-2.1394E-6
-0.023871	437.48E-9						
1 Displacement Grid 1		37.25000	3.50000	-3.50000	0.03362	-3.7250	-1.9034E-6
-0.022282	408.36E-9						
1 Displacement Grid 1		38.25000	3.50000	-3.50000	0.03195	-3.7250	-1.6891E-6
-0.020765	380.56E-9						
1 Displacement Grid 1		39.25000	3.50000	-3.50000	0.03032	-3.7250	-1.4959E-6
-0.019326	354.20E-9						
1 Displacement Grid 1		40.25000	3.50000	-3.50000	0.02872	-3.7250	-1.3229E-6
-0.017971	329.37E-9						
1 Displacement Grid 1		41.25000	3.50000	-3.50000	0.02716	-3.7250	-1.1688E-6
-0.016700	306.07E-9						
1 Displacement Grid 1		42.25000	3.50000	-3.50000	0.02566	-3.7250	-1.0320E-6
-0.015512	284.31E-9						
1 Displacement Grid 1		43.25000	3.50000	-3.50000	0.02423	-3.7250	-911.03E-9
-0.014406	264.05E-9						
1 Displacement Grid 1		44.25000	3.50000	-3.50000	0.02285	-3.7250	-804.34E-9
-0.013379	245.23E-9						
1 Displacement Grid 1		45.25000	3.50000	-3.50000	0.02154	-3.7250	-710.41E-9
-0.012428	227.80E-9						
1 Displacement Grid 1		46.25000	3.50000	-3.50000	0.02030	-3.7250	-627.83E-9
-0.011548	211.67E-9						
1 Displacement Grid 1		0.25000	4.50000	-3.50000	0.02175	-3.7250	-729.71E-9
-0.012595	230.85E-9						
1 Displacement Grid 1		1.25000	4.50000	-3.50000	0.02313	-3.7250	-831.42E-9
-0.013607	249.41E-9						
1 Displacement Grid 1		2.25000	4.50000	-3.50000	0.02459	-3.7250	-948.22E-9
-0.014709	269.59E-9						
1 Displacement Grid 1		3.25000	4.50000	-3.50000	0.02613	-3.7250	-1.0822E-6
-0.015905	291.50E-9						
1 Displacement Grid 1		4.25000	4.50000	-3.50000	0.02774	-3.7250	-1.2357E-6
-0.017201	315.26E-9						
1 Displacement Grid 1		5.25000	4.50000	-3.50000	0.02942	-3.7250	-1.4111E-6
-0.018603	340.95E-9						
1 Displacement Grid 1		6.25000	4.50000	-3.50000	0.03116	-3.7250	-1.6109E-6
-0.020114	368.64E-9						
1 Displacement Grid 1		7.25000	4.50000	-3.50000	0.03296	-3.7250	-1.8377E-6
-0.021737	398.38E-9						
1 Displacement Grid 1		8.25000	4.50000	-3.50000	0.03480	-3.7250	-2.0937E-6
-0.023471	430.14E-9						
1 Displacement Grid 1		9.25000	4.50000	-3.50000	0.03668	-3.7250	-2.3807E-6
-0.025312	463.87E-9						
1 Displacement Grid 1		10.25000	4.50000	-3.50000	0.03856	-3.7250	-2.7000E-6
-0.027253	499.44E-9						
1 Displacement Grid 1		11.25000	4.50000	-3.50000	0.04045	-3.7250	-3.0515E-6
-0.029282	536.60E-9						

1 Displacement Grid 1	12.25000	4.50000	-3.50000	0.04230	-3.7250	-3.4338E-6
-0.031379 575.03E-9						
1 Displacement Grid 1	13.25000	4.50000	-3.50000	0.04411	-3.7250	-3.8434E-6
-0.033521 614.27E-9						
1 Displacement Grid 1	14.25000	4.50000	-3.50000	0.04584	-3.7250	-4.2745E-6
-0.035674 653.70E-9						
1 Displacement Grid 1	15.25000	4.50000	-3.50000	0.04746	-3.7250	-4.7182E-6
-0.037798 692.61E-9						
1 Displacement Grid 1	16.25000	4.50000	-3.50000	0.04897	-3.7250	-5.1631E-6
-0.039846 730.13E-9						
1 Displacement Grid 1	17.25000	4.50000	-3.50000	0.05031	-3.7250	-5.5947E-6
-0.041767 765.31E-9						
1 Displacement Grid 1	18.25000	4.50000	-3.50000	0.05149	-3.7250	-5.9966E-6
-0.043504 797.13E-9						
1 Displacement Grid 1	19.25000	4.50000	-3.50000	0.05247	-3.7250	-6.3513E-6
-0.045001 824.56E-9						
1 Displacement Grid 1	20.25000	4.50000	-3.50000	0.05325	-3.7250	-6.6415E-6
-0.046207 846.64E-9						
1 Displacement Grid 1	21.25000	4.50000	-3.50000	0.05380	-3.7250	-6.8520E-6
-0.047076 862.55E-9						
1 Displacement Grid 1	22.25000	4.50000	-3.50000	0.05412	-3.7250	-6.9713E-6
-0.047574 871.67E-9						
1 Displacement Grid 1	23.25000	4.50000	-3.50000	0.05420	-3.7250	-6.9927E-6
-0.047682 873.66E-9						
1 Displacement Grid 1	24.25000	4.50000	-3.50000	0.05405	-3.7250	-6.9154E-6
-0.047397 868.44E-9						
1 Displacement Grid 1	25.25000	4.50000	-3.50000	0.05366	-3.7250	-6.7442E-6
-0.046732 856.25E-9						
1 Displacement Grid 1	26.25000	4.50000	-3.50000	0.05305	-3.7250	-6.4891E-6
-0.045713 837.59E-9						
1 Displacement Grid 1	27.25000	4.50000	-3.50000	0.05221	-3.7250	-6.1642E-6
-0.044381 813.19E-9						
1 Displacement Grid 1	28.25000	4.50000	-3.50000	0.05117	-3.7250	-5.7858E-6
-0.042784 783.95E-9						
1 Displacement Grid 1	29.25000	4.50000	-3.50000	0.04994	-3.7250	-5.3711E-6
-0.040977 750.84E-9						
1 Displacement Grid 1	30.25000	4.50000	-3.50000	0.04854	-3.7250	-4.9365E-6
-0.039013 714.88E-9						
1 Displacement Grid 1	31.25000	4.50000	-3.50000	0.04699	-3.7250	-4.4968E-6
-0.036947 677.03E-9						
1 Displacement Grid 1	32.25000	4.50000	-3.50000	0.04533	-3.7250	-4.0643E-6
-0.034827 638.19E-9						
1 Displacement Grid 1	33.25000	4.50000	-3.50000	0.04358	-3.7250	-3.6486E-6
-0.032695 599.14E-9						
1 Displacement Grid 1	34.25000	4.50000	-3.50000	0.04176	-3.7250	-3.2568E-6
-0.030587 560.52E-9						
1 Displacement Grid 1	35.25000	4.50000	-3.50000	0.03989	-3.7250	-2.8932E-6
-0.028532 522.87E-9						
1 Displacement Grid 1	36.25000	4.50000	-3.50000	0.03801	-3.7250	-2.5602E-6
-0.026551 486.58E-9						
1 Displacement Grid 1	37.25000	4.50000	-3.50000	0.03612	-3.7250	-2.2585E-6
-0.024661 451.95E-9						
1 Displacement Grid 1	38.25000	4.50000	-3.50000	0.03426	-3.7250	-1.9878E-6
-0.022871 419.16E-9						
1 Displacement Grid 1	39.25000	4.50000	-3.50000	0.03243	-3.7250	-1.7465E-6
-0.021188 388.32E-9						
1 Displacement Grid 1	40.25000	4.50000	-3.50000	0.03066	-3.7250	-1.5327E-6
-0.019614 359.48E-9						
1 Displacement Grid 1	41.25000	4.50000	-3.50000	0.02893	-3.7250	-1.3443E-6
-0.018149 332.62E-9						
1 Displacement Grid 1	42.25000	4.50000	-3.50000	0.02728	-3.7250	-1.1787E-6
-0.016789 307.71E-9						
1 Displacement Grid 1	43.25000	4.50000	-3.50000	0.02569	-3.7250	-1.0337E-6
-0.015532 284.67E-9						
1 Displacement Grid 1	44.25000	4.50000	-3.50000	0.02418	-3.7250	-906.94E-9
-0.014372 263.41E-9						
1 Displacement Grid 1	45.25000	4.50000	-3.50000	0.02275	-3.7250	-796.29E-9
-0.013303 243.83E-9						
1 Displacement Grid 1	46.25000	4.50000	-3.50000	0.02139	-3.7250	-699.81E-9
-0.012320 225.82E-9						
1 Displacement Grid 1	0.25000	5.50000	-3.50000	0.02291	-3.7250	-813.92E-9

-0.013441	246.37E-9	1 Displacement Grid 1	1.25000	5.50000	-3.50000	0.02442	-3.7250	-932.95E-9
-0.014573	267.11E-9	1 Displacement Grid 1	2.25000	5.50000	-3.50000	0.02601	-3.7250	-1.0708E-6
-0.015812	289.80E-9	1 Displacement Grid 1	3.25000	5.50000	-3.50000	0.02770	-3.7250	-1.2305E-6
-0.017166	314.61E-9	1 Displacement Grid 1	4.25000	5.50000	-3.50000	0.02947	-3.7250	-1.4152E-6
-0.018643	341.69E-9	1 Displacement Grid 1	5.25000	5.50000	-3.50000	0.03132	-3.7250	-1.6285E-6
-0.020253	371.19E-9	1 Displacement Grid 1	6.25000	5.50000	-3.50000	0.03325	-3.7250	-1.8743E-6
-0.022002	403.23E-9	1 Displacement Grid 1	7.25000	5.50000	-3.50000	0.03525	-3.7250	-2.1565E-6
-0.023895	437.91E-9	1 Displacement Grid 1	8.25000	5.50000	-3.50000	0.03730	-3.7250	-2.4791E-6
-0.025935	475.28E-9	1 Displacement Grid 1	9.25000	5.50000	-3.50000	0.03939	-3.7250	-2.8455E-6
-0.028120	515.33E-9	1 Displacement Grid 1	10.25000	5.50000	-3.50000	0.04150	-3.7250	-3.2586E-6
-0.030446	557.94E-9	1 Displacement Grid 1	11.25000	5.50000	-3.50000	0.04361	-3.7250	-3.7198E-6
-0.032900	602.90E-9	1 Displacement Grid 1	12.25000	5.50000	-3.50000	0.04569	-3.7250	-4.2286E-6
-0.035463	649.84E-9	1 Displacement Grid 1	13.25000	5.50000	-3.50000	0.04771	-3.7250	-4.7817E-6
-0.038104	698.23E-9	1 Displacement Grid 1	14.25000	5.50000	-3.50000	0.04964	-3.7250	-5.3721E-6
-0.040786	747.35E-9	1 Displacement Grid 1	15.25000	5.50000	-3.50000	0.05146	-3.7250	-5.9884E-6
-0.043457	796.27E-9	1 Displacement Grid 1	16.25000	5.50000	-3.50000	0.05313	-3.7250	-6.6144E-6
-0.046057	843.89E-9	1 Displacement Grid 1	17.25000	5.50000	-3.50000	0.05463	-3.7250	-7.2293E-6
-0.048515	888.90E-9	1 Displacement Grid 1	18.25000	5.50000	-3.50000	0.05593	-3.7250	-7.8082E-6
-0.050754	929.92E-9	1 Displacement Grid 1	19.25000	5.50000	-3.50000	0.05701	-3.7250	-8.3236E-6
-0.052697	965.50E-9	1 Displacement Grid 1	20.25000	5.50000	-3.50000	0.05787	-3.7250	-8.7483E-6
-0.054269	994.29E-9	1 Displacement Grid 1	21.25000	5.50000	-3.50000	0.05848	-3.7250	-9.0576E-6
-0.055405	1.0151E-6	1 Displacement Grid 1	22.25000	5.50000	-3.50000	0.05883	-3.7250	-9.2326E-6
-0.056057	1.0270E-6	1 Displacement Grid 1	23.25000	5.50000	-3.50000	0.05893	-3.7250	-9.2626E-6
-0.056195	1.0296E-6	1 Displacement Grid 1	24.25000	5.50000	-3.50000	0.05877	-3.7250	-9.1461E-6
-0.055815	1.0226E-6	1 Displacement Grid 1	25.25000	5.50000	-3.50000	0.05834	-3.7250	-8.8915E-6
-0.054937	1.0065E-6	1 Displacement Grid 1	26.25000	5.50000	-3.50000	0.05767	-3.7250	-8.5154E-6
-0.053600	982.05E-9	1 Displacement Grid 1	27.25000	5.50000	-3.50000	0.05675	-3.7250	-8.0405E-6
-0.051863	950.23E-9	1 Displacement Grid 1	28.25000	5.50000	-3.50000	0.05559	-3.7250	-7.4929E-6
-0.049796	912.37E-9	1 Displacement Grid 1	29.25000	5.50000	-3.50000	0.05423	-3.7250	-6.8995E-6
-0.047473	869.83E-9	1 Displacement Grid 1	30.25000	5.50000	-3.50000	0.05267	-3.7250	-6.2853E-6
-0.044971	824.00E-9	1 Displacement Grid 1	31.25000	5.50000	-3.50000	0.05095	-3.7250	-5.6719E-6
-0.042361	776.21E-9	1 Displacement Grid 1	32.25000	5.50000	-3.50000	0.04909	-3.7250	-5.0769E-6
-0.039708	727.61E-9	1 Displacement Grid 1	33.25000	5.50000	-3.50000	0.04713	-3.7250	-4.5129E-6
-0.037066	679.22E-9	1 Displacement Grid 1	34.25000	5.50000	-3.50000	0.04509	-3.7250	-3.9886E-6
-0.034479	631.83E-9	1 Displacement Grid 1	35.25000	5.50000	-3.50000	0.04300	-3.7250	-3.5087E-6
-0.031981	586.06E-9							

1 Displacement Grid 1	36.25000	5.50000	-3.50000	0.04089	-3.7250	-3.0753E-6
-0.029596 542.37E-9						
1 Displacement Grid 1	37.25000	5.50000	-3.50000	0.03879	-3.7250	-2.6879E-6
-0.027341 501.05E-9						
1 Displacement Grid 1	38.25000	5.50000	-3.50000	0.03671	-3.7250	-2.3446E-6
-0.025225 462.28E-9						
1 Displacement Grid 1	39.25000	5.50000	-3.50000	0.03467	-3.7250	-2.0423E-6
-0.023252 426.13E-9						
1 Displacement Grid 1	40.25000	5.50000	-3.50000	0.03270	-3.7250	-1.7778E-6
-0.021421 392.59E-9						
1 Displacement Grid 1	41.25000	5.50000	-3.50000	0.03080	-3.7250	-1.5471E-6
-0.019730 361.61E-9						
1 Displacement Grid 1	42.25000	5.50000	-3.50000	0.02897	-3.7250	-1.3466E-6
-0.018174 333.08E-9						
1 Displacement Grid 1	43.25000	5.50000	-3.50000	0.02723	-3.7250	-1.1727E-6
-0.016744 306.88E-9						
1 Displacement Grid 1	44.25000	5.50000	-3.50000	0.02557	-3.7250	-1.0222E-6
-0.015433 282.87E-9						
1 Displacement Grid 1	45.25000	5.50000	-3.50000	0.02400	-3.7250	-891.97E-9
-0.014234 260.88E-9						
1 Displacement Grid 1	46.25000	5.50000	-3.50000	0.02253	-3.7250	-779.35E-9
-0.013137 240.78E-9						
1 Displacement Grid 1	0.25000	6.50000	-3.50000	0.02411	-3.7250	-906.73E-9
-0.014334 262.73E-9						
1 Displacement Grid 1	1.25000	6.50000	-3.50000	0.02575	-3.7250	-1.0458E-6
-0.015598 285.89E-9						
1 Displacement Grid 1	2.25000	6.50000	-3.50000	0.02749	-3.7250	-1.2084E-6
-0.016990 311.39E-9						
1 Displacement Grid 1	3.25000	6.50000	-3.50000	0.02933	-3.7250	-1.3985E-6
-0.018521 339.45E-9						
1 Displacement Grid 1	4.25000	6.50000	-3.50000	0.03128	-3.7250	-1.6206E-6
-0.020205 370.31E-9						
1 Displacement Grid 1	5.25000	6.50000	-3.50000	0.03332	-3.7250	-1.8801E-6
-0.022054 404.18E-9						
1 Displacement Grid 1	6.25000	6.50000	-3.50000	0.03545	-3.7250	-2.1827E-6
-0.024078 441.27E-9						
1 Displacement Grid 1	7.25000	6.50000	-3.50000	0.03766	-3.7250	-2.5344E-6
-0.026289 481.77E-9						
1 Displacement Grid 1	8.25000	6.50000	-3.50000	0.03994	-3.7250	-2.9419E-6
-0.028693 525.82E-9						
1 Displacement Grid 1	9.25000	6.50000	-3.50000	0.04226	-3.7250	-3.4114E-6
-0.031294 573.47E-9						
1 Displacement Grid 1	10.25000	6.50000	-3.50000	0.04461	-3.7250	-3.9487E-6
-0.034090 624.70E-9						
1 Displacement Grid 1	11.25000	6.50000	-3.50000	0.04695	-3.7250	-4.5578E-6
-0.037072 679.32E-9						
1 Displacement Grid 1	12.25000	6.50000	-3.50000	0.04926	-3.7250	-5.2407E-6
-0.040219 736.96E-9						
1 Displacement Grid 1	13.25000	6.50000	-3.50000	0.05150	-3.7250	-5.9950E-6
-0.043500 797.05E-9						
1 Displacement Grid 1	14.25000	6.50000	-3.50000	0.05364	-3.7250	-6.8133E-6
-0.046867 858.72E-9						
1 Displacement Grid 1	15.25000	6.50000	-3.50000	0.05564	-3.7250	-7.6814E-6
-0.050257 920.82E-9						
1 Displacement Grid 1	16.25000	6.50000	-3.50000	0.05748	-3.7250	-8.5768E-6
-0.053592 981.88E-9						
1 Displacement Grid 1	17.25000	6.50000	-3.50000	0.05911	-3.7250	-9.4688E-6
-0.056775 1.0402E-6						
1 Displacement Grid 1	18.25000	6.50000	-3.50000	0.06053	-3.7250	-10.319E-6
-0.059701 1.0938E-6						
1 Displacement Grid 1	19.25000	6.50000	-3.50000	0.06170	-3.7250	-11.085E-6
-0.062258 1.1406E-6						
1 Displacement Grid 1	20.25000	6.50000	-3.50000	0.06261	-3.7250	-11.721E-6
-0.064339 1.1787E-6						
1 Displacement Grid 1	21.25000	6.50000	-3.50000	0.06327	-3.7250	-12.186E-6
-0.065848 1.2063E-6						
1 Displacement Grid 1	22.25000	6.50000	-3.50000	0.06365	-3.7250	-12.449E-6
-0.066713 1.2222E-6						
1 Displacement Grid 1	23.25000	6.50000	-3.50000	0.06376	-3.7250	-12.491E-6
-0.066892 1.2254E-6						
1 Displacement Grid 1	24.25000	6.50000	-3.50000	0.06359	-3.7250	-12.311E-6

-0.066377	1.2160E-6							
1 Displacement	Grid 1	25.25000	6.50000	-3.50000	0.06315	-3.7250	-11.923E-6	
-0.065199	1.1944E-6							
1 Displacement	Grid 1	26.25000	6.50000	-3.50000	0.06243	-3.7250	-11.355E-6	
-0.063417	1.1618E-6							
1 Displacement	Grid 1	27.25000	6.50000	-3.50000	0.06145	-3.7250	-10.646E-6	
-0.061119	1.1197E-6							
1 Displacement	Grid 1	28.25000	6.50000	-3.50000	0.06020	-3.7250	-9.8371E-6	
-0.058404	1.0700E-6							
1 Displacement	Grid 1	29.25000	6.50000	-3.50000	0.05872	-3.7250	-8.9725E-6	
-0.055382	1.0147E-6							
1 Displacement	Grid 1	30.25000	6.50000	-3.50000	0.05701	-3.7250	-8.0903E-6	
-0.052158	955.64E-9							
1 Displacement	Grid 1	31.25000	6.50000	-3.50000	0.05512	-3.7250	-7.2225E-6	
-0.048831	894.70E-9							
1 Displacement	Grid 1	32.25000	6.50000	-3.50000	0.05306	-3.7250	-6.3935E-6	
-0.045484	833.40E-9							
1 Displacement	Grid 1	33.25000	6.50000	-3.50000	0.05088	-3.7250	-5.6202E-6	
-0.042186	773.00E-9							
1 Displacement	Grid 1	34.25000	6.50000	-3.50000	0.04861	-3.7250	-4.9125E-6	
-0.038993	714.50E-9							
1 Displacement	Grid 1	35.25000	6.50000	-3.50000	0.04628	-3.7250	-4.2748E-6	
-0.035941	658.60E-9							
1 Displacement	Grid 1	36.25000	6.50000	-3.50000	0.04394	-3.7250	-3.7075E-6	
-0.033058	605.79E-9							
1 Displacement	Grid 1	37.25000	6.50000	-3.50000	0.04160	-3.7250	-3.2077E-6	
-0.030359	556.35E-9							
1 Displacement	Grid 1	38.25000	6.50000	-3.50000	0.03929	-3.7250	-2.7709E-6	
-0.027852	510.41E-9							
1 Displacement	Grid 1	39.25000	6.50000	-3.50000	0.03703	-3.7250	-2.3915E-6	
-0.025535	467.96E-9							
1 Displacement	Grid 1	40.25000	6.50000	-3.50000	0.03485	-3.7250	-2.0635E-6	
-0.023404	428.93E-9							
1 Displacement	Grid 1	41.25000	6.50000	-3.50000	0.03274	-3.7250	-1.7810E-6	
-0.021453	393.17E-9							
1 Displacement	Grid 1	42.25000	6.50000	-3.50000	0.03073	-3.7250	-1.5382E-6	
-0.019670	360.50E-9							
1 Displacement	Grid 1	43.25000	6.50000	-3.50000	0.02882	-3.7250	-1.3299E-6	
-0.018045	330.72E-9							
1 Displacement	Grid 1	44.25000	6.50000	-3.50000	0.02701	-3.7250	-1.1512E-6	
-0.016565	303.61E-9							
1 Displacement	Grid 1	45.25000	6.50000	-3.50000	0.02530	-3.7250	-998.14E-9	
-0.015220	278.96E-9							
1 Displacement	Grid 1	46.25000	6.50000	-3.50000	0.02369	-3.7250	-866.89E-9	
-0.013997	256.56E-9							
1 Displacement	Grid 1	0.25000	7.50000	-3.50000	0.02533	-3.7250	-1.0085E-6	
-0.015272	279.91E-9							
1 Displacement	Grid 1	1.25000	7.50000	-3.50000	0.02711	-3.7250	-1.1706E-6	
-0.016681	305.72E-9							
1 Displacement	Grid 1	2.25000	7.50000	-3.50000	0.02901	-3.7250	-1.3619E-6	
-0.018242	334.34E-9							
1 Displacement	Grid 1	3.25000	7.50000	-3.50000	0.03102	-3.7250	-1.5879E-6	
-0.019973	366.05E-9							
1 Displacement	Grid 1	4.25000	7.50000	-3.50000	0.03315	-3.7250	-1.8548E-6	
-0.021890	401.19E-9							
1 Displacement	Grid 1	5.25000	7.50000	-3.50000	0.03540	-3.7250	-2.1703E-6	
-0.024012	440.06E-9							
1 Displacement	Grid 1	6.25000	7.50000	-3.50000	0.03774	-3.7250	-2.5428E-6	
-0.026356	483.00E-9							
1 Displacement	Grid 1	7.25000	7.50000	-3.50000	0.04018	-3.7250	-2.9817E-6	
-0.028939	530.33E-9							
1 Displacement	Grid 1	8.25000	7.50000	-3.50000	0.04270	-3.7250	-3.4975E-6	
-0.031776	582.31E-9							
1 Displacement	Grid 1	9.25000	7.50000	-3.50000	0.04527	-3.7250	-4.1011E-6	
-0.034879	639.14E-9							
1 Displacement	Grid 1	10.25000	7.50000	-3.50000	0.04786	-3.7250	-4.8030E-6	
-0.038251	700.91E-9							
1 Displacement	Grid 1	11.25000	7.50000	-3.50000	0.05045	-3.7250	-5.6126E-6	
-0.041888	767.54E-9							
1 Displacement	Grid 1	12.25000	7.50000	-3.50000	0.05299	-3.7250	-6.5364E-6	
-0.045774	838.71E-9							

1 Displacement Grid 1	13.25000	7.50000	-3.50000	0.05545	-3.7250	-7.5759E-6
-0.049876 913.83E-9						
1 Displacement Grid 1	14.25000	7.50000	-3.50000	0.05779	-3.7250	-8.7247E-6
-0.054138 991.89E-9						
1 Displacement Grid 1	15.25000	7.50000	-3.50000	0.05995	-3.7250	-9.9658E-6
-0.058484 1.0715E-6						
1 Displacement Grid 1	16.25000	7.50000	-3.50000	0.06192	-3.7250	-11.269E-6
-0.062810 1.1507E-6						
1 Displacement Grid 1	17.25000	7.50000	-3.50000	0.06365	-3.7250	-12.589E-6
-0.066988 1.2272E-6						
1 Displacement Grid 1	18.25000	7.50000	-3.50000	0.06513	-3.7250	-13.867E-6
-0.070867 1.2982E-6						
1 Displacement Grid 1	19.25000	7.50000	-3.50000	0.06634	-3.7250	-15.032E-6
-0.074288 1.3608E-6						
1 Displacement Grid 1	20.25000	7.50000	-3.50000	0.06728	-3.7250	-16.009E-6
-0.077090 1.4121E-6						
1 Displacement Grid 1	21.25000	7.50000	-3.50000	0.06794	-3.7250	-16.727E-6
-0.079130 1.4495E-6						
1 Displacement Grid 1	22.25000	7.50000	-3.50000	0.06834	-3.7250	-17.133E-6
-0.080299 1.4709E-6						
1 Displacement Grid 1	23.25000	7.50000	-3.50000	0.06846	-3.7250	-17.194E-6
-0.080532 1.4752E-6						
1 Displacement Grid 1	24.25000	7.50000	-3.50000	0.06830	-3.7250	-16.907E-6
-0.079821 1.4621E-6						
1 Displacement Grid 1	25.25000	7.50000	-3.50000	0.06787	-3.7250	-16.298E-6
-0.078210 1.4326E-6						
1 Displacement Grid 1	26.25000	7.50000	-3.50000	0.06715	-3.7250	-15.418E-6
-0.075793 1.3884E-6						
1 Displacement Grid 1	27.25000	7.50000	-3.50000	0.06615	-3.7250	-14.332E-6
-0.072700 1.3318E-6						
1 Displacement Grid 1	28.25000	7.50000	-3.50000	0.06486	-3.7250	-13.111E-6
-0.069082 1.2655E-6						
1 Displacement Grid 1	29.25000	7.50000	-3.50000	0.06330	-3.7250	-11.826E-6
-0.065097 1.1926E-6						
1 Displacement Grid 1	30.25000	7.50000	-3.50000	0.06148	-3.7250	-10.536E-6
-0.060895 1.1156E-6						
1 Displacement Grid 1	31.25000	7.50000	-3.50000	0.05943	-3.7250	-9.2898E-6
-0.056608 1.0371E-6						
1 Displacement Grid 1	32.25000	7.50000	-3.50000	0.05719	-3.7250	-8.1201E-6
-0.052348 959.12E-9						
1 Displacement Grid 1	33.25000	7.50000	-3.50000	0.05480	-3.7250	-7.0482E-6
-0.048203 883.21E-9						
1 Displacement Grid 1	34.25000	7.50000	-3.50000	0.05230	-3.7250	-6.0846E-6
-0.044237 810.56E-9						
1 Displacement Grid 1	35.25000	7.50000	-3.50000	0.04973	-3.7250	-5.2312E-6
-0.040492 741.97E-9						
1 Displacement Grid 1	36.25000	7.50000	-3.50000	0.04713	-3.7250	-4.4845E-6
-0.036995 677.91E-9						
1 Displacement Grid 1	37.25000	7.50000	-3.50000	0.04454	-3.7250	-3.8372E-6
-0.033757 618.59E-9						
1 Displacement Grid 1	38.25000	7.50000	-3.50000	0.04199	-3.7250	-3.2800E-6
-0.030779 564.04E-9						
1 Displacement Grid 1	39.25000	7.50000	-3.50000	0.03949	-3.7250	-2.8029E-6
-0.028056 514.15E-9						
1 Displacement Grid 1	40.25000	7.50000	-3.50000	0.03708	-3.7250	-2.3961E-6
-0.025575 468.71E-9						
1 Displacement Grid 1	41.25000	7.50000	-3.50000	0.03477	-3.7250	-2.0500E-6
-0.023323 427.44E-9						
1 Displacement Grid 1	42.25000	7.50000	-3.50000	0.03256	-3.7250	-1.7561E-6
-0.021282 390.05E-9						
1 Displacement Grid 1	43.25000	7.50000	-3.50000	0.03047	-3.7250	-1.5067E-6
-0.019436 356.22E-9						
1 Displacement Grid 1	44.25000	7.50000	-3.50000	0.02849	-3.7250	-1.2950E-6
-0.017768 325.65E-9						
1 Displacement Grid 1	45.25000	7.50000	-3.50000	0.02663	-3.7250	-1.1154E-6
-0.016261 298.04E-9						
1 Displacement Grid 1	46.25000	7.50000	-3.50000	0.02489	-3.7250	-962.77E-9
-0.014901 273.11E-9						
1 Displacement Grid 1	0.25000	8.50000	-3.50000	0.02658	-3.7250	-1.1194E-6
-0.016251 297.85E-9						
1 Displacement Grid 1	1.25000	8.50000	-3.50000	0.02851	-3.7250	-1.3078E-6

-0.017818	326.57E-9						
1 Displacement Grid 1		2.25000	8.50000	-3.50000	0.03057	-3.7250	-1.5324E-6
-0.019568	358.63E-9						
1 Displacement Grid 1		3.25000	8.50000	-3.50000	0.03276	-3.7250	-1.8003E-6
-0.021520	394.41E-9						
1 Displacement Grid 1		4.25000	8.50000	-3.50000	0.03509	-3.7250	-2.1206E-6
-0.023701	434.35E-9						
1 Displacement Grid 1		5.25000	8.50000	-3.50000	0.03754	-3.7250	-2.5036E-6
-0.026134	478.93E-9						
1 Displacement Grid 1		6.25000	8.50000	-3.50000	0.04012	-3.7250	-2.9618E-6
-0.028846	528.63E-9						
1 Displacement Grid 1		7.25000	8.50000	-3.50000	0.04280	-3.7250	-3.5096E-6
-0.031865	583.93E-9						
1 Displacement Grid 1		8.25000	8.50000	-3.50000	0.04556	-3.7250	-4.1634E-6
-0.035216	645.32E-9						
1 Displacement Grid 1		9.25000	8.50000	-3.50000	0.04839	-3.7250	-4.9412E-6
-0.038922	713.20E-9						
1 Displacement Grid 1		10.25000	8.50000	-3.50000	0.05123	-3.7250	-5.8619E-6
-0.042999	787.87E-9						
1 Displacement Grid 1		11.25000	8.50000	-3.50000	0.05407	-3.7250	-6.9443E-6
-0.047453	869.46E-9						
1 Displacement Grid 1		12.25000	8.50000	-3.50000	0.05683	-3.7250	-8.2041E-6
-0.052276	957.80E-9						
1 Displacement Grid 1		13.25000	8.50000	-3.50000	0.05949	-3.7250	-9.6514E-6
-0.057438	1.0523E-6						
1 Displacement Grid 1		14.25000	8.50000	-3.50000	0.06198	-3.7250	-11.285E-6
-0.062881	1.1520E-6						
1 Displacement Grid 1		15.25000	8.50000	-3.50000	0.06426	-3.7250	-13.089E-6
-0.068510	1.2550E-6						
1 Displacement Grid 1		16.25000	8.50000	-3.50000	0.06629	-3.7250	-15.022E-6
-0.074192	1.3591E-6						
1 Displacement Grid 1		17.25000	8.50000	-3.50000	0.06803	-3.7250	-17.020E-6
-0.079753	1.4609E-6						
1 Displacement Grid 1		18.25000	8.50000	-3.50000	0.06949	-3.7250	-18.989E-6
-0.084981	1.5566E-6						
1 Displacement Grid 1		19.25000	8.50000	-3.50000	0.07065	-3.7250	-20.810E-6
-0.089640	1.6419E-6						
1 Displacement Grid 1		20.25000	8.50000	-3.50000	0.07153	-3.7250	-22.356E-6
-0.093486	1.7123E-6						
1 Displacement Grid 1		21.25000	8.50000	-3.50000	0.07214	-3.7250	-23.501E-6
-0.096302	1.7638E-6						
1 Displacement Grid 1		22.25000	8.50000	-3.50000	0.07251	-3.7250	-24.146E-6
-0.097913	1.7933E-6						
1 Displacement Grid 1		23.25000	8.50000	-3.50000	0.07264	-3.7250	-24.234E-6
-0.098222	1.7989E-6						
1 Displacement Grid 1		24.25000	8.50000	-3.50000	0.07253	-3.7250	-23.761E-6
-0.097214	1.7805E-6						
1 Displacement Grid 1		25.25000	8.50000	-3.50000	0.07216	-3.7250	-22.776E-6
-0.094963	1.7393E-6						
1 Displacement Grid 1		26.25000	8.50000	-3.50000	0.07153	-3.7250	-21.370E-6
-0.091618	1.6781E-6						
1 Displacement Grid 1		27.25000	8.50000	-3.50000	0.07059	-3.7250	-19.660E-6
-0.087380	1.6005E-6						
1 Displacement Grid 1		28.25000	8.50000	-3.50000	0.06935	-3.7250	-17.771E-6
-0.082479	1.5108E-6						
1 Displacement Grid 1		29.25000	8.50000	-3.50000	0.06779	-3.7250	-15.818E-6
-0.077146	1.4132E-6						
1 Displacement Grid 1		30.25000	8.50000	-3.50000	0.06593	-3.7250	-13.896E-6
-0.071597	1.3116E-6						
1 Displacement Grid 1		31.25000	8.50000	-3.50000	0.06379	-3.7250	-12.076E-6
-0.066014	1.2094E-6						
1 Displacement Grid 1		32.25000	8.50000	-3.50000	0.06141	-3.7250	-10.403E-6
-0.060544	1.1092E-6						
1 Displacement Grid 1		33.25000	8.50000	-3.50000	0.05884	-3.7250	-8.9014E-6
-0.055295	1.0131E-6						
1 Displacement Grid 1		34.25000	8.50000	-3.50000	0.05612	-3.7250	-7.5778E-6
-0.050341	922.36E-9						
1 Displacement Grid 1		35.25000	8.50000	-3.50000	0.05331	-3.7250	-6.4281E-6
-0.045725	837.82E-9						
1 Displacement Grid 1		36.25000	8.50000	-3.50000	0.05046	-3.7250	-5.4405E-6
-0.041469	759.86E-9						



1 Displacement Grid 1	37.25000	8.50000	-3.50000	0.04761	-3.7250	-4.5992E-6
-0.037575 688.54E-9						
1 Displacement Grid 1	38.25000	8.50000	-3.50000	0.04479	-3.7250	-3.8869E-6
-0.034035 623.69E-9						
1 Displacement Grid 1	39.25000	8.50000	-3.50000	0.04205	-3.7250	-3.2865E-6
-0.030832 565.02E-9						
1 Displacement Grid 1	40.25000	8.50000	-3.50000	0.03940	-3.7250	-2.7817E-6
-0.027944 512.10E-9						
1 Displacement Grid 1	41.25000	8.50000	-3.50000	0.03686	-3.7250	-2.3580E-6
-0.025345 464.49E-9						
1 Displacement Grid 1	42.25000	8.50000	-3.50000	0.03445	-3.7250	-2.0027E-6
-0.023012 421.73E-9						
1 Displacement Grid 1	43.25000	8.50000	-3.50000	0.03216	-3.7250	-1.7047E-6
-0.020918 383.37E-9						
1 Displacement Grid 1	44.25000	8.50000	-3.50000	0.03001	-3.7250	-1.4545E-6
-0.019039 348.95E-9						
1 Displacement Grid 1	45.25000	8.50000	-3.50000	0.02799	-3.7250	-1.2442E-6
-0.017355 318.08E-9						
1 Displacement Grid 1	46.25000	8.50000	-3.50000	0.02610	-3.7250	-1.0671E-6
-0.015843 290.38E-9						
1 Displacement Grid 1	0.25000	9.50000	-3.50000	0.02785	-3.7250	-1.2393E-6
-0.017267 316.48E-9						
1 Displacement Grid 1	1.25000	9.50000	-3.50000	0.02992	-3.7250	-1.4576E-6
-0.019007 348.35E-9						
1 Displacement Grid 1	2.25000	9.50000	-3.50000	0.03215	-3.7250	-1.7203E-6
-0.020962 384.17E-9						
1 Displacement Grid 1	3.25000	9.50000	-3.50000	0.03453	-3.7250	-2.0371E-6
-0.023160 424.45E-9						
1 Displacement Grid 1	4.25000	9.50000	-3.50000	0.03706	-3.7250	-2.4202E-6
-0.025635 469.79E-9						
1 Displacement Grid 1	5.25000	9.50000	-3.50000	0.03974	-3.7250	-2.8842E-6
-0.028420 520.82E-9						
1 Displacement Grid 1	6.25000	9.50000	-3.50000	0.04255	-3.7250	-3.4471E-6
-0.031556 578.27E-9						
1 Displacement Grid 1	7.25000	9.50000	-3.50000	0.04548	-3.7250	-4.1302E-6
-0.035082 642.86E-9						
1 Displacement Grid 1	8.25000	9.50000	-3.50000	0.04850	-3.7250	-4.9590E-6
-0.039040 715.36E-9						
1 Displacement Grid 1	9.25000	9.50000	-3.50000	0.05159	-3.7250	-5.9628E-6
-0.043471 796.52E-9						
1 Displacement Grid 1	10.25000	9.50000	-3.50000	0.05468	-3.7250	-7.1744E-6
-0.048410 886.98E-9						
1 Displacement Grid 1	11.25000	9.50000	-3.50000	0.05775	-3.7250	-8.6287E-6
-0.053882 987.21E-9						
1 Displacement Grid 1	12.25000	9.50000	-3.50000	0.06071	-3.7250	-10.360E-6
-0.059898 1.0974E-6						
1 Displacement Grid 1	13.25000	9.50000	-3.50000	0.06351	-3.7250	-12.396E-6
-0.066437 1.2171E-6						
1 Displacement Grid 1	14.25000	9.50000	-3.50000	0.06608	-3.7250	-14.751E-6
-0.073446 1.3454E-6						
1 Displacement Grid 1	15.25000	9.50000	-3.50000	0.06837	-3.7250	-17.416E-6
-0.080816 1.4803E-6						
1 Displacement Grid 1	16.25000	9.50000	-3.50000	0.07033	-3.7250	-20.345E-6
-0.088381 1.6188E-6						
1 Displacement Grid 1	17.25000	9.50000	-3.50000	0.07194	-3.7250	-23.444E-6
-0.095902 1.7565E-6						
1 Displacement Grid 1	18.25000	9.50000	-3.50000	0.07320	-3.7250	-26.564E-6
-0.10308 1.8878E-6						
1 Displacement Grid 1	19.25000	9.50000	-3.50000	0.07413	-3.7250	-29.505E-6
-0.10955 2.0063E-6						
1 Displacement Grid 1	20.25000	9.50000	-3.50000	0.07480	-3.7250	-32.035E-6
-0.11495 2.1051E-6						
1 Displacement Grid 1	21.25000	9.50000	-3.50000	0.07524	-3.7250	-33.925E-6
-0.11893 2.1778E-6						
1 Displacement Grid 1	22.25000	9.50000	-3.50000	0.07552	-3.7250	-34.987E-6
-0.12120 2.2194E-6						
1 Displacement Grid 1	23.25000	9.50000	-3.50000	0.07565	-3.7250	-35.115E-6
-0.12161 2.2270E-6						
1 Displacement Grid 1	24.25000	9.50000	-3.50000	0.07564	-3.7250	-34.303E-6
-0.12015 2.2002E-6						
1 Displacement Grid 1	25.25000	9.50000	-3.50000	0.07546	-3.7250	-32.648E-6

-0.11692	2.1412E-6							
1 Displacement Grid 1	26.25000	9.50000	-3.50000	0.07505	-3.7250	-30.324E-6		
-0.11219	2.0545E-6							
1 Displacement Grid 1	27.25000	9.50000	-3.50000	0.07435	-3.7250	-27.548E-6		
-0.10626	1.9460E-6							
1 Displacement Grid 1	28.25000	9.50000	-3.50000	0.07333	-3.7250	-24.542E-6		
-0.099493	1.8222E-6							
1 Displacement Grid 1	29.25000	9.50000	-3.50000	0.07193	-3.7250	-21.501E-6		
-0.092242	1.6895E-6							
1 Displacement Grid 1	30.25000	9.50000	-3.50000	0.07017	-3.7250	-18.578E-6		
-0.084814	1.5535E-6							
1 Displacement Grid 1	31.25000	9.50000	-3.50000	0.06804	-3.7250	-15.875E-6		
-0.077460	1.4189E-6							
1 Displacement Grid 1	32.25000	9.50000	-3.50000	0.06560	-3.7250	-13.448E-6		
-0.070371	1.2891E-6							
1 Displacement Grid 1	33.25000	9.50000	-3.50000	0.06290	-3.7250	-11.320E-6		
-0.063676	1.1666E-6							
1 Displacement Grid 1	34.25000	9.50000	-3.50000	0.06000	-3.7250	-9.4867E-6		
-0.057453	1.0526E-6							
1 Displacement Grid 1	35.25000	9.50000	-3.50000	0.05697	-3.7250	-7.9282E-6		
-0.051740	947.98E-9							
1 Displacement Grid 1	36.25000	9.50000	-3.50000	0.05387	-3.7250	-6.6165E-6		
-0.046546	852.85E-9							
1 Displacement Grid 1	37.25000	9.50000	-3.50000	0.05076	-3.7250	-5.5203E-6		
-0.041856	766.95E-9							
1 Displacement Grid 1	38.25000	9.50000	-3.50000	0.04768	-3.7250	-4.6086E-6		
-0.037645	689.81E-9							
1 Displacement Grid 1	39.25000	9.50000	-3.50000	0.04468	-3.7250	-3.8526E-6		
-0.033878	620.80E-9							
1 Displacement Grid 1	40.25000	9.50000	-3.50000	0.04178	-3.7250	-3.2268E-6		
-0.030516	559.23E-9							
1 Displacement Grid 1	41.25000	9.50000	-3.50000	0.03901	-3.7250	-2.7090E-6		
-0.027522	504.37E-9							
1 Displacement Grid 1	42.25000	9.50000	-3.50000	0.03637	-3.7250	-2.2803E-6		
-0.024857	455.55E-9							
1 Displacement Grid 1	43.25000	9.50000	-3.50000	0.03389	-3.7250	-1.9250E-6		
-0.022486	412.10E-9							
1 Displacement Grid 1	44.25000	9.50000	-3.50000	0.03155	-3.7250	-1.6301E-6		
-0.020376	373.44E-9							
1 Displacement Grid 1	45.25000	9.50000	-3.50000	0.02937	-3.7250	-1.3847E-6		
-0.018496	339.00E-9							
1 Displacement Grid 1	46.25000	9.50000	-3.50000	0.02733	-3.7250	-1.1800E-6		
-0.016821	308.30E-9							
1 Displacement Grid 1	0.25000	10.50000	-3.50000	0.02911	-3.7250	-1.3680E-6		
-0.018315	335.67E-9							
1 Displacement Grid 1	1.25000	10.50000	-3.50000	0.03135	-3.7250	-1.6198E-6		
-0.020240	370.94E-9							
1 Displacement Grid 1	2.25000	10.50000	-3.50000	0.03375	-3.7250	-1.9258E-6		
-0.022418	410.85E-9							
1 Displacement Grid 1	3.25000	10.50000	-3.50000	0.03633	-3.7250	-2.2990E-6		
-0.024886	456.08E-9							
1 Displacement Grid 1	4.25000	10.50000	-3.50000	0.03907	-3.7250	-2.7555E-6		
-0.027687	507.40E-9							
1 Displacement Grid 1	5.25000	10.50000	-3.50000	0.04198	-3.7250	-3.3158E-6		
-0.030869	565.70E-9							
1 Displacement Grid 1	6.25000	10.50000	-3.50000	0.04503	-3.7250	-4.0053E-6		
-0.034487	631.97E-9							
1 Displacement Grid 1	7.25000	10.50000	-3.50000	0.04822	-3.7250	-4.8555E-6		
-0.038600	707.30E-9							
1 Displacement Grid 1	8.25000	10.50000	-3.50000	0.05150	-3.7250	-5.9052E-6		
-0.043271	792.87E-9							
1 Displacement Grid 1	9.25000	10.50000	-3.50000	0.05483	-3.7250	-7.2011E-6		
-0.048570	889.91E-9							
1 Displacement Grid 1	10.25000	10.50000	-3.50000	0.05816	-3.7250	-8.7986E-6		
-0.054560	999.62E-9							
1 Displacement Grid 1	11.25000	10.50000	-3.50000	0.06142	-3.7250	-10.761E-6		
-0.061301	1.1231E-6							
1 Displacement Grid 1	12.25000	10.50000	-3.50000	0.06452	-3.7250	-13.155E-6		
-0.068834	1.2610E-6							
1 Displacement Grid 1	13.25000	10.50000	-3.50000	0.06737	-3.7250	-16.047E-6		
-0.077171	1.4136E-6							

1 Displacement Grid 1	14.25000	10.50000	-3.50000	0.06990	-3.7250	-19.489E-6
-0.086274 1.5802E-6						
1 Displacement Grid 1	15.25000	10.50000	-3.50000	0.07202	-3.7250	-23.499E-6
-0.096034 1.7589E-6						
1 Displacement Grid 1	16.25000	10.50000	-3.50000	0.07368	-3.7250	-28.038E-6
-0.10625 1.9458E-6						
1 Displacement Grid 1	17.25000	10.50000	-3.50000	0.07487	-3.7250	-32.980E-6
-0.11660 2.1352E-6						
1 Displacement Grid 1	18.25000	10.50000	-3.50000	0.07563	-3.7250	-38.087E-6
-0.12665 2.3191E-6						
1 Displacement Grid 1	19.25000	10.50000	-3.50000	0.07603	-3.7250	-43.011E-6
-0.13586 2.4876E-6						
1 Displacement Grid 1	20.25000	10.50000	-3.50000	0.07620	-3.7250	-47.321E-6
-0.14363 2.6298E-6						
1 Displacement Grid 1	21.25000	10.50000	-3.50000	0.07626	-3.7250	-50.572E-6
-0.14940 2.7353E-6						
1 Displacement Grid 1	22.25000	10.50000	-3.50000	0.07632	-3.7250	-52.396E-6
-0.15270 2.7956E-6						
1 Displacement Grid 1	23.25000	10.50000	-3.50000	0.07645	-3.7250	-52.581E-6
-0.15326 2.8059E-6						
1 Displacement Grid 1	24.25000	10.50000	-3.50000	0.07664	-3.7250	-51.121E-6
-0.15106 2.7656E-6						
1 Displacement Grid 1	25.25000	10.50000	-3.50000	0.07683	-3.7250	-48.217E-6
-0.14631 2.6787E-6						
1 Displacement Grid 1	26.25000	10.50000	-3.50000	0.07692	-3.7250	-44.219E-6
-0.13942 2.5527E-6						
1 Displacement Grid 1	27.25000	10.50000	-3.50000	0.07676	-3.7250	-39.547E-6
-0.13093 2.3974E-6						
1 Displacement Grid 1	28.25000	10.50000	-3.50000	0.07626	-3.7250	-34.610E-6
-0.12140 2.2230E-6						
1 Displacement Grid 1	29.25000	10.50000	-3.50000	0.07530	-3.7250	-29.748E-6
-0.11136 2.0394E-6						
1 Displacement Grid 1	30.25000	10.50000	-3.50000	0.07387	-3.7250	-25.200E-6
-0.10127 1.8548E-6						
1 Displacement Grid 1	31.25000	10.50000	-3.50000	0.07195	-3.7250	-21.111E-6
-0.091470 1.6754E-6						
1 Displacement Grid 1	32.25000	10.50000	-3.50000	0.06960	-3.7250	-17.541E-6
-0.082196 1.5056E-6						
1 Displacement Grid 1	33.25000	10.50000	-3.50000	0.06687	-3.7250	-14.492E-6
-0.073595 1.3482E-6						
1 Displacement Grid 1	34.25000	10.50000	-3.50000	0.06386	-3.7250	-11.933E-6
-0.065739 1.2043E-6						
1 Displacement Grid 1	35.25000	10.50000	-3.50000	0.06065	-3.7250	-9.8087E-6
-0.058645 1.0744E-6						
1 Displacement Grid 1	36.25000	10.50000	-3.50000	0.05733	-3.7250	-8.0607E-6
-0.052292 958.09E-9						
1 Displacement Grid 1	37.25000	10.50000	-3.50000	0.05397	-3.7250	-6.6301E-6
-0.046639 854.55E-9						
1 Displacement Grid 1	38.25000	10.50000	-3.50000	0.05063	-3.7250	-5.4629E-6
-0.041628 762.79E-9						
1 Displacement Grid 1	39.25000	10.50000	-3.50000	0.04736	-3.7250	-4.5121E-6
-0.037201 681.68E-9						
1 Displacement Grid 1	40.25000	10.50000	-3.50000	0.04421	-3.7250	-3.7377E-6
-0.033295 610.13E-9						
1 Displacement Grid 1	41.25000	10.50000	-3.50000	0.04119	-3.7250	-3.1062E-6
-0.029851 547.03E-9						
1 Displacement Grid 1	42.25000	10.50000	-3.50000	0.03833	-3.7250	-2.5906E-6
-0.026814 491.40E-9						
1 Displacement Grid 1	43.25000	10.50000	-3.50000	0.03564	-3.7250	-2.1685E-6
-0.024136 442.33E-9						
1 Displacement Grid 1	44.25000	10.50000	-3.50000	0.03312	-3.7250	-1.8220E-6
-0.021771 399.00E-9						
1 Displacement Grid 1	45.25000	10.50000	-3.50000	0.03076	-3.7250	-1.5367E-6
-0.019680 360.69E-9						
1 Displacement Grid 1	46.25000	10.50000	-3.50000	0.02857	-3.7250	-1.3011E-6
-0.017829 326.76E-9						
1 Displacement Grid 1	0.25000	11.50000	-3.50000	0.03038	-3.7250	-1.5047E-6
-0.019385 355.28E-9						
1 Displacement Grid 1	1.25000	11.50000	-3.50000	0.03277	-3.7250	-1.7937E-6
-0.021508 394.18E-9						
1 Displacement Grid 1	2.25000	11.50000	-3.50000	0.03536	-3.7250	-2.1484E-6

-0.023926	438.49E-9						
1 Displacement Grid 1		3.25000	11.50000	-3.50000	0.03813	-3.7250	-2.5857E-6
-0.026688	489.09E-9						
1 Displacement Grid 1		4.25000	11.50000	-3.50000	0.04109	-3.7250	-3.1272E-6
-0.029849	546.99E-9						
1 Displacement Grid 1		5.25000	11.50000	-3.50000	0.04422	-3.7250	-3.8008E-6
-0.033473	613.38E-9						
1 Displacement Grid 1		6.25000	11.50000	-3.50000	0.04753	-3.7250	-4.6420E-6
-0.037635	689.63E-9						
1 Displacement Grid 1		7.25000	11.50000	-3.50000	0.05096	-3.7250	-5.6967E-6
-0.042420	777.28E-9						
1 Displacement Grid 1		8.25000	11.50000	-3.50000	0.05450	-3.7250	-7.0228E-6
-0.047925	878.11E-9						
1 Displacement Grid 1		9.25000	11.50000	-3.50000	0.05807	-3.7250	-8.6937E-6
-0.054255	994.03E-9						
1 Displacement Grid 1		10.25000	11.50000	-3.50000	0.06159	-3.7250	-10.801E-6
-0.061521	1.1271E-6						
1 Displacement Grid 1		11.25000	11.50000	-3.50000	0.06498	-3.7250	-13.454E-6
-0.069837	1.2793E-6						
1 Displacement Grid 1		12.25000	11.50000	-3.50000	0.06812	-3.7250	-16.783E-6
-0.079302	1.4526E-6						
1 Displacement Grid 1		13.25000	11.50000	-3.50000	0.07089	-3.7250	-20.929E-6
-0.089988	1.6482E-6						
1 Displacement Grid 1		14.25000	11.50000	-3.50000	0.07315	-3.7250	-26.026E-6
-0.10191	1.8664E-6						
1 Displacement Grid 1		15.25000	11.50000	-3.50000	0.07480	-3.7250	-32.174E-6
-0.11498	2.1057E-6						
1 Displacement Grid 1		16.25000	11.50000	-3.50000	0.07578	-3.7250	-39.384E-6
-0.12899	2.3619E-6						
1 Displacement Grid 1		17.25000	11.50000	-3.50000	0.07610	-3.7250	-47.512E-6
-0.14351	2.6275E-6						
1 Displacement Grid 1		18.25000	11.50000	-3.50000	0.07583	-3.7250	-56.190E-6
-0.15792	2.8910E-6						
1 Displacement Grid 1		19.25000	11.50000	-3.50000	0.07515	-3.7250	-64.796E-6
-0.17138	3.1371E-6						
1 Displacement Grid 1		20.25000	11.50000	-3.50000	0.07432	-3.7250	-72.492E-6
-0.18291	3.3480E-6						
1 Displacement Grid 1		21.25000	11.50000	-3.50000	0.07360	-3.7250	-78.372E-6
-0.19155	3.5059E-6						
1 Displacement Grid 1		22.25000	11.50000	-3.50000	0.07323	-3.7250	-81.660E-6
-0.19648	3.5961E-6						
1 Displacement Grid 1		23.25000	11.50000	-3.50000	0.07333	-3.7250	-81.915E-6
-0.19725	3.6102E-6						
1 Displacement Grid 1		24.25000	11.50000	-3.50000	0.07391	-3.7250	-79.141E-6
-0.19382	3.5474E-6						
1 Displacement Grid 1		25.25000	11.50000	-3.50000	0.07484	-3.7250	-73.779E-6
-0.18657	3.4151E-6						
1 Displacement Grid 1		26.25000	11.50000	-3.50000	0.07589	-3.7250	-66.573E-6
-0.17625	3.2264E-6						
1 Displacement Grid 1		27.25000	11.50000	-3.50000	0.07680	-3.7250	-58.377E-6
-0.16376	2.9979E-6						
1 Displacement Grid 1		28.25000	11.50000	-3.50000	0.07734	-3.7250	-49.975E-6
-0.15001	2.7466E-6						
1 Displacement Grid 1		29.25000	11.50000	-3.50000	0.07730	-3.7250	-41.962E-6
-0.13586	2.4876E-6						
1 Displacement Grid 1		30.25000	11.50000	-3.50000	0.07659	-3.7250	-34.715E-6
-0.12194	2.2329E-6						
1 Displacement Grid 1		31.25000	11.50000	-3.50000	0.07520	-3.7250	-28.410E-6
-0.10871	1.9909E-6						
1 Displacement Grid 1		32.25000	11.50000	-3.50000	0.07317	-3.7250	-23.081E-6
-0.096467	1.7669E-6						
1 Displacement Grid 1		33.25000	11.50000	-3.50000	0.07059	-3.7250	-18.669E-6
-0.085345	1.5633E-6						
1 Displacement Grid 1		34.25000	11.50000	-3.50000	0.06758	-3.7250	-15.070E-6
-0.075382	1.3809E-6						
1 Displacement Grid 1		35.25000	11.50000	-3.50000	0.06427	-3.7250	-12.163E-6
-0.066548	1.2192E-6						
1 Displacement Grid 1		36.25000	11.50000	-3.50000	0.06077	-3.7250	-9.8285E-6
-0.058770	1.0767E-6						
1 Displacement Grid 1		37.25000	11.50000	-3.50000	0.05718	-3.7250	-7.9608E-6
-0.051955	951.91E-9						

1 Displacement Grid 1	38.25000	11.50000	-3.50000	0.05359	-3.7250	-6.4682E-6
-0.046000 842.85E-9						
1 Displacement Grid 1	39.25000	11.50000	-3.50000	0.05007	-3.7250	-5.2749E-6
-0.040805 747.69E-9						
1 Displacement Grid 1	40.25000	11.50000	-3.50000	0.04666	-3.7250	-4.3193E-6
-0.036275 664.72E-9						
1 Displacement Grid 1	41.25000	11.50000	-3.50000	0.04339	-3.7250	-3.5521E-6
-0.032324 592.34E-9						
1 Displacement Grid 1	42.25000	11.50000	-3.50000	0.04030	-3.7250	-2.9343E-6
-0.028874 529.14E-9						
1 Displacement Grid 1	43.25000	11.50000	-3.50000	0.03740	-3.7250	-2.4350E-6
-0.025858 473.88E-9						
1 Displacement Grid 1	44.25000	11.50000	-3.50000	0.03468	-3.7250	-2.0299E-6
-0.023216 425.48E-9						
1 Displacement Grid 1	45.25000	11.50000	-3.50000	0.03215	-3.7250	-1.6998E-6
-0.020898 383.00E-9						
1 Displacement Grid 1	46.25000	11.50000	-3.50000	0.02981	-3.7250	-1.4297E-6
-0.018859 345.64E-9						
1 Displacement Grid 1	0.25000	12.50000	-3.50000	0.03162	-3.7250	-1.6482E-6
-0.020468 375.13E-9						
1 Displacement Grid 1	1.25000	12.50000	-3.50000	0.03418	-3.7250	-1.9780E-6
-0.022799 417.84E-9						
1 Displacement Grid 1	2.25000	12.50000	-3.50000	0.03694	-3.7250	-2.3867E-6
-0.025474 466.84E-9						
1 Displacement Grid 1	3.25000	12.50000	-3.50000	0.03991	-3.7250	-2.8961E-6
-0.028551 523.22E-9						
1 Displacement Grid 1	4.25000	12.50000	-3.50000	0.04309	-3.7250	-3.5347E-6
-0.032103 588.29E-9						
1 Displacement Grid 1	5.25000	12.50000	-3.50000	0.04646	-3.7250	-4.3397E-6
-0.036213 663.59E-9						
1 Displacement Grid 1	6.25000	12.50000	-3.50000	0.05001	-3.7250	-5.3606E-6
-0.040984 750.98E-9						
1 Displacement Grid 1	7.25000	12.50000	-3.50000	0.05369	-3.7250	-6.6623E-6
-0.046534 852.62E-9						
1 Displacement Grid 1	8.25000	12.50000	-3.50000	0.05746	-3.7250	-8.3305E-6
-0.053001 971.07E-9						
1 Displacement Grid 1	9.25000	12.50000	-3.50000	0.06123	-3.7250	-10.478E-6
-0.060546 1.1092E-6						
1 Displacement Grid 1	10.25000	12.50000	-3.50000	0.06490	-3.7250	-13.253E-6
-0.069350 1.2704E-6						
1 Displacement Grid 1	11.25000	12.50000	-3.50000	0.06834	-3.7250	-16.843E-6
-0.079609 1.4583E-6						
1 Displacement Grid 1	12.25000	12.50000	-3.50000	0.07137	-3.7250	-21.488E-6
-0.091526 1.6764E-6						
1 Displacement Grid 1	13.25000	12.50000	-3.50000	0.07381	-3.7250	-27.474E-6
-0.10528 1.9282E-6						
1 Displacement Grid 1	14.25000	12.50000	-3.50000	0.07548	-3.7250	-35.118E-6
-0.12101 2.2160E-6						
1 Displacement Grid 1	15.25000	12.50000	-3.50000	0.07621	-3.7250	-44.723E-6
-0.13873 2.5401E-6						
1 Displacement Grid 1	16.25000	12.50000	-3.50000	0.07590	-3.7250	-56.483E-6
-0.15824 2.8969E-6						
1 Displacement Grid 1	17.25000	12.50000	-3.50000	0.07455	-3.7250	-70.330E-6
-0.17905 3.2774E-6						
1 Displacement Grid 1	18.25000	12.50000	-3.50000	0.07235	-3.7250	-85.734E-6
-0.20026 3.6652E-6						
1 Displacement Grid 1	19.25000	12.50000	-3.50000	0.06964	-3.7250	-101.56E-6
-0.22056 4.0361E-6						
1 Displacement Grid 1	20.25000	12.50000	-3.50000	0.06691	-3.7250	-116.11E-6
-0.23829 4.3601E-6						
1 Displacement Grid 1	21.25000	12.50000	-3.50000	0.06471	-3.7250	-127.40E-6
-0.25172 4.6054E-6						
1 Displacement Grid 1	22.25000	12.50000	-3.50000	0.06349	-3.7250	-133.69E-6
-0.25938 4.7455E-6						
1 Displacement Grid 1	23.25000	12.50000	-3.50000	0.06353	-3.7250	-134.00E-6
-0.26044 4.7648E-6						
1 Displacement Grid 1	24.25000	12.50000	-3.50000	0.06484	-3.7250	-128.36E-6
-0.25484 4.6627E-6						
1 Displacement Grid 1	25.25000	12.50000	-3.50000	0.06716	-3.7250	-117.84E-6
-0.24336 4.4528E-6						
1 Displacement Grid 1	26.25000	12.50000	-3.50000	0.07003	-3.7250	-104.11E-6

-0.22732	4.1599E-6						
1 Displacement Grid 1	27.25000	12.50000	-3.50000	0.07293	-3.7250	-89.016E-6	
-0.20836	3.8133E-6						
1 Displacement Grid 1	28.25000	12.50000	-3.50000	0.07539	-3.7250	-74.116E-6	
-0.18802	3.4416E-6						
1 Displacement Grid 1	29.25000	12.50000	-3.50000	0.07705	-3.7250	-60.464E-6	
-0.16762	3.0686E-6						
1 Displacement Grid 1	30.25000	12.50000	-3.50000	0.07772	-3.7250	-48.607E-6	
-0.14809	2.7114E-6						
1 Displacement Grid 1	31.25000	12.50000	-3.50000	0.07735	-3.7250	-38.694E-6	
-0.13003	2.3809E-6						
1 Displacement Grid 1	32.25000	12.50000	-3.50000	0.07602	-3.7250	-30.626E-6	
-0.11372	2.0825E-6						
1 Displacement Grid 1	33.25000	12.50000	-3.50000	0.07385	-3.7250	-24.180E-6	
-0.099248	1.8178E-6						
1 Displacement Grid 1	34.25000	12.50000	-3.50000	0.07102	-3.7250	-19.090E-6	
-0.086571	1.5857E-6						
1 Displacement Grid 1	35.25000	12.50000	-3.50000	0.06772	-3.7250	-15.099E-6	
-0.075554	1.3840E-6						
1 Displacement Grid 1	36.25000	12.50000	-3.50000	0.06412	-3.7250	-11.980E-6	
-0.066031	1.2097E-6						
1 Displacement Grid 1	37.25000	12.50000	-3.50000	0.06034	-3.7250	-9.5452E-6	
-0.057823	1.0594E-6						
1 Displacement Grid 1	38.25000	12.50000	-3.50000	0.05653	-3.7250	-7.6414E-6	
-0.050759	930.02E-9						
1 Displacement Grid 1	39.25000	12.50000	-3.50000	0.05276	-3.7250	-6.1492E-6	
-0.044680	818.68E-9						
1 Displacement Grid 1	40.25000	12.50000	-3.50000	0.04909	-3.7250	-4.9752E-6	
-0.039444	722.77E-9						
1 Displacement Grid 1	41.25000	12.50000	-3.50000	0.04559	-3.7250	-4.0476E-6	
-0.034926	640.02E-9						
1 Displacement Grid 1	42.25000	12.50000	-3.50000	0.04226	-3.7250	-3.3113E-6	
-0.031022	568.49E-9						
1 Displacement Grid 1	43.25000	12.50000	-3.50000	0.03914	-3.7250	-2.7238E-6	
-0.027638	506.50E-9						
1 Displacement Grid 1	44.25000	12.50000	-3.50000	0.03623	-3.7250	-2.2526E-6	
-0.024699	452.65E-9						
1 Displacement Grid 1	45.25000	12.50000	-3.50000	0.03353	-3.7250	-1.8728E-6	
-0.022138	405.73E-9						
1 Displacement Grid 1	46.25000	12.50000	-3.50000	0.03102	-3.7250	-1.5650E-6	
-0.019901	364.74E-9						
1 Displacement Grid 1	0.25000	13.50000	-3.50000	0.03284	-3.7250	-1.7970E-6	
-0.021552	394.99E-9						
1 Displacement Grid 1	1.25000	13.50000	-3.50000	0.03556	-3.7250	-2.1708E-6	
-0.024100	441.68E-9						
1 Displacement Grid 1	2.25000	13.50000	-3.50000	0.03850	-3.7250	-2.6385E-6	
-0.027043	495.59E-9						
1 Displacement Grid 1	3.25000	13.50000	-3.50000	0.04167	-3.7250	-3.2277E-6	
-0.030455	558.10E-9						
1 Displacement Grid 1	4.25000	13.50000	-3.50000	0.04506	-3.7250	-3.9753E-6	
-0.034426	630.85E-9						
1 Displacement Grid 1	5.25000	13.50000	-3.50000	0.04866	-3.7250	-4.9307E-6	
-0.039066	715.85E-9						
1 Displacement Grid 1	6.25000	13.50000	-3.50000	0.05245	-3.7250	-6.1607E-6	
-0.044508	815.52E-9						
1 Displacement Grid 1	7.25000	13.50000	-3.50000	0.05636	-3.7250	-7.7564E-6	
-0.050914	932.84E-9						
1 Displacement Grid 1	8.25000	13.50000	-3.50000	0.06034	-3.7250	-9.8417E-6	
-0.058479	1.0714E-6						
1 Displacement Grid 1	9.25000	13.50000	-3.50000	0.06427	-3.7250	-12.587E-6	
-0.067439	1.2355E-6						
1 Displacement Grid 1	10.25000	13.50000	-3.50000	0.06801	-3.7250	-16.225E-6	
-0.078075	1.4302E-6						
1 Displacement Grid 1	11.25000	13.50000	-3.50000	0.07135	-3.7250	-21.073E-6	
-0.090712	1.6615E-6						
1 Displacement Grid 1	12.25000	13.50000	-3.50000	0.07407	-3.7250	-27.559E-6	
-0.10572	1.9361E-6						
1 Displacement Grid 1	13.25000	13.50000	-3.50000	0.07588	-3.7250	-36.243E-6	
-0.12348	2.2611E-6						
1 Displacement Grid 1	14.25000	13.50000	-3.50000	0.07647	-3.7250	-47.827E-6	
-0.14437	2.6432E-6						

1 Displacement Grid 1	15.25000	13.50000	-3.50000	0.07557	-3.7250	-63.111E-6
-0.16863 3.0868E-6						
1 Displacement Grid 1	16.25000	13.50000	-3.50000	0.07299	-3.7250	-82.843E-6
-0.19626 3.5920E-6						
1 Displacement Grid 1	17.25000	13.50000	-3.50000	0.06873	-3.7250	-107.39E-6
-0.22678 4.1498E-6						
1 Displacement Grid 1	18.25000	13.50000	-3.50000	0.06307	-3.7250	-136.19E-6
-0.25899 4.7381E-6						
1 Displacement Grid 1	19.25000	13.50000	-3.50000	0.05666	-3.7250	-167.19E-6
-0.29077 5.3185E-6						
1 Displacement Grid 1	20.25000	13.50000	-3.50000	0.05043	-3.7250	-196.71E-6
-0.31922 5.8379E-6						
1 Displacement Grid 1	21.25000	13.50000	-3.50000	0.04545	-3.7250	-220.05E-6
-0.34108 6.2370E-6						
1 Displacement Grid 1	22.25000	13.50000	-3.50000	0.04265	-3.7250	-232.99E-6
-0.35355 6.4645E-6						
1 Displacement Grid 1	23.25000	13.50000	-3.50000	0.04259	-3.7250	-233.14E-6
-0.35498 6.4907E-6						
1 Displacement Grid 1	24.25000	13.50000	-3.50000	0.04526	-3.7250	-220.74E-6
-0.34536 6.3153E-6						
1 Displacement Grid 1	25.25000	13.50000	-3.50000	0.05014	-3.7250	-198.47E-6
-0.32623 5.9663E-6						
1 Displacement Grid 1	26.25000	13.50000	-3.50000	0.05633	-3.7250	-170.48E-6
-0.30024 5.4919E-6						
1 Displacement Grid 1	27.25000	13.50000	-3.50000	0.06282	-3.7250	-141.02E-6
-0.27039 4.9468E-6						
1 Displacement Grid 1	28.25000	13.50000	-3.50000	0.06871	-3.7250	-113.31E-6
-0.23940 4.3805E-6						
1 Displacement Grid 1	29.25000	13.50000	-3.50000	0.07336	-3.7250	-89.169E-6
-0.20931 3.8308E-6						
1 Displacement Grid 1	30.25000	13.50000	-3.50000	0.07643	-3.7250	-69.220E-6
-0.18144 3.3213E-6						
1 Displacement Grid 1	31.25000	13.50000	-3.50000	0.07787	-3.7250	-53.319E-6
-0.15646 2.8645E-6						
1 Displacement Grid 1	32.25000	13.50000	-3.50000	0.07778	-3.7250	-40.941E-6
-0.13456 2.4639E-6						
1 Displacement Grid 1	33.25000	13.50000	-3.50000	0.07641	-3.7250	-31.445E-6
-0.11565 2.1179E-6						
1 Displacement Grid 1	34.25000	13.50000	-3.50000	0.07402	-3.7250	-24.219E-6
-0.099485 1.8221E-6						
1 Displacement Grid 1	35.25000	13.50000	-3.50000	0.07090	-3.7250	-18.737E-6
-0.085745 1.5706E-6						
1 Displacement Grid 1	36.25000	13.50000	-3.50000	0.06729	-3.7250	-14.577E-6
-0.074102 1.3575E-6						
1 Displacement Grid 1	37.25000	13.50000	-3.50000	0.06340	-3.7250	-11.413E-6
-0.064244 1.1770E-6						
1 Displacement Grid 1	38.25000	13.50000	-3.50000	0.05939	-3.7250	-8.9959E-6
-0.055892 1.0240E-6						
1 Displacement Grid 1	39.25000	13.50000	-3.50000	0.05540	-3.7250	-7.1397E-6
-0.048806 894.24E-9						
1 Displacement Grid 1	40.25000	13.50000	-3.50000	0.05149	-3.7250	-5.7059E-6
-0.042778 783.85E-9						
1 Displacement Grid 1	41.25000	13.50000	-3.50000	0.04775	-3.7250	-4.5914E-6
-0.037637 689.67E-9						
1 Displacement Grid 1	42.25000	13.50000	-3.50000	0.04419	-3.7250	-3.7194E-6
-0.033237 609.07E-9						
1 Displacement Grid 1	43.25000	13.50000	-3.50000	0.04086	-3.7250	-3.0327E-6
-0.029459 539.86E-9						
1 Displacement Grid 1	44.25000	13.50000	-3.50000	0.03775	-3.7250	-2.4883E-6
-0.026204 480.22E-9						
1 Displacement Grid 1	45.25000	13.50000	-3.50000	0.03487	-3.7250	-2.0541E-6
-0.023389 428.65E-9						
1 Displacement Grid 1	46.25000	13.50000	-3.50000	0.03221	-3.7250	-1.7054E-6
-0.020946 383.88E-9						
1 Displacement Grid 1	0.25000	14.50000	-3.50000	0.03401	-3.7250	-1.9488E-6
-0.022623 414.61E-9						
1 Displacement Grid 1	1.25000	14.50000	-3.50000	0.03689	-3.7250	-2.3692E-6
-0.025393 465.36E-9						
1 Displacement Grid 1	2.25000	14.50000	-3.50000	0.04001	-3.7250	-2.9002E-6
-0.028613 524.36E-9						
1 Displacement Grid 1	3.25000	14.50000	-3.50000	0.04337	-3.7250	-3.5762E-6

-0.032375	593.27E-9						
1 Displacement Grid 1		4.25000	14.50000	-3.50000	0.04697	-3.7250	-4.4440E-6
-0.036789	674.14E-9						
1 Displacement Grid 1		5.25000	14.50000	-3.50000	0.05079	-3.7250	-5.5679E-6
-0.041995	769.49E-9						
1 Displacement Grid 1		6.25000	14.50000	-3.50000	0.05480	-3.7250	-7.0370E-6
-0.048164	882.49E-9						
1 Displacement Grid 1		7.25000	14.50000	-3.50000	0.05893	-3.7250	-8.9758E-6
-0.055514	1.0171E-6						
1 Displacement Grid 1		8.25000	14.50000	-3.50000	0.06308	-3.7250	-11.560E-6
-0.064311	1.1782E-6						
1 Displacement Grid 1		9.25000	14.50000	-3.50000	0.06711	-3.7250	-15.040E-6
-0.074894	1.3719E-6						
1 Displacement Grid 1		10.25000	14.50000	-3.50000	0.07081	-3.7250	-19.776E-6
-0.087680	1.6060E-6						
1 Displacement Grid 1		11.25000	14.50000	-3.50000	0.07390	-3.7250	-26.284E-6
-0.10319	1.8898E-6						
1 Displacement Grid 1		12.25000	14.50000	-3.50000	0.07604	-3.7250	-35.311E-6
-0.12204	2.2348E-6						
1 Displacement Grid 1		13.25000	14.50000	-3.50000	0.07677	-3.7250	-47.922E-6
-0.14498	2.6544E-6						
1 Displacement Grid 1		14.25000	14.50000	-3.50000	0.07561	-3.7250	-65.605E-6
-0.17281	3.1634E-6						
1 Displacement Grid 1		15.25000	14.50000	-3.50000	0.07206	-3.7250	-90.324E-6
-0.20635	3.7764E-6						
1 Displacement Grid 1		16.25000	14.50000	-3.50000	0.06574	-3.7250	-124.40E-6
-0.24613	4.5032E-6						
1 Displacement Grid 1		17.25000	14.50000	-3.50000	0.05654	-3.7250	-169.90E-6
-0.29205	5.3417E-6						
1 Displacement Grid 1		18.25000	14.50000	-3.50000	0.04488	-3.7250	-227.23E-6
-0.34272	6.2665E-6						
1 Displacement Grid 1		19.25000	14.50000	-3.50000	0.03184	-3.7250	-292.96E-6
-0.39482	7.2168E-6						
1 Displacement Grid 1		20.25000	14.50000	-3.50000	0.01919	-3.7250	-358.49E-6
-0.44298	8.0949E-6						
1 Displacement Grid 1		21.25000	14.50000	-3.50000	0.00905	-3.7250	-411.54E-6
-0.48069	8.7823E-6						
1 Displacement Grid 1		22.25000	14.50000	-3.50000	0.00330	-3.7250	-440.69E-6
-0.50213	9.1731E-6						
1 Displacement Grid 1		23.25000	14.50000	-3.50000	0.00306	-3.7250	-439.72E-6
-0.50396	9.2067E-6						
1 Displacement Grid 1		24.25000	14.50000	-3.50000	0.00830	-3.7250	-409.55E-6
-0.48628	8.8848E-6						
1 Displacement Grid 1		25.25000	14.50000	-3.50000	0.01795	-3.7250	-357.74E-6
-0.45249	8.2691E-6						
1 Displacement Grid 1		26.25000	14.50000	-3.50000	0.03020	-3.7250	-295.61E-6
-0.40811	7.4601E-6						
1 Displacement Grid 1		27.25000	14.50000	-3.50000	0.04307	-3.7250	-233.86E-6
-0.35905	6.5654E-6						
1 Displacement Grid 1		28.25000	14.50000	-3.50000	0.05490	-3.7250	-179.35E-6
-0.31019	5.6735E-6						
1 Displacement Grid 1		29.25000	14.50000	-3.50000	0.06461	-3.7250	-134.84E-6
-0.26470	4.8428E-6						
1 Displacement Grid 1		30.25000	14.50000	-3.50000	0.07168	-3.7250	-100.27E-6
-0.22422	4.1034E-6						
1 Displacement Grid 1		31.25000	14.50000	-3.50000	0.07607	-3.7250	-74.267E-6
-0.18927	3.4645E-6						
1 Displacement Grid 1		32.25000	14.50000	-3.50000	0.07803	-3.7250	-55.054E-6
-0.15967	2.9232E-6						
1 Displacement Grid 1		33.25000	14.50000	-3.50000	0.07799	-3.7250	-40.987E-6
-0.13489	2.4699E-6						
1 Displacement Grid 1		34.25000	14.50000	-3.50000	0.07640	-3.7250	-30.715E-6
-0.11427	2.0927E-6						
1 Displacement Grid 1		35.25000	14.50000	-3.50000	0.07368	-3.7250	-23.199E-6
-0.097167	1.7797E-6						
1 Displacement Grid 1		36.25000	14.50000	-3.50000	0.07021	-3.7250	-17.674E-6
-0.082977	1.5199E-6						
1 Displacement Grid 1		37.25000	14.50000	-3.50000	0.06628	-3.7250	-13.586E-6
-0.071186	1.3041E-6						
1 Displacement Grid 1		38.25000	14.50000	-3.50000	0.06214	-3.7250	-10.538E-6
-0.061360	1.1241E-6						



1 Displacement Grid 1	39.25000	14.50000	-3.50000	0.05794	-3.7250	-8.2457E-6
-0.053142 973.66E-9						
1 Displacement Grid 1	40.25000	14.50000	-3.50000	0.05382	-3.7250	-6.5080E-6
-0.046242 847.29E-9						
1 Displacement Grid 1	41.25000	14.50000	-3.50000	0.04984	-3.7250	-5.1793E-6
-0.040423 740.70E-9						
1 Displacement Grid 1	42.25000	14.50000	-3.50000	0.04607	-3.7250	-4.1547E-6
-0.035493 650.40E-9						
1 Displacement Grid 1	43.25000	14.50000	-3.50000	0.04253	-3.7250	-3.3581E-6
-0.031298 573.55E-9						
1 Displacement Grid 1	44.25000	14.50000	-3.50000	0.03923	-3.7250	-2.7340E-6
-0.027712 507.85E-9						
1 Displacement Grid 1	45.25000	14.50000	-3.50000	0.03617	-3.7250	-2.2411E-6
-0.024634 451.45E-9						
1 Displacement Grid 1	46.25000	14.50000	-3.50000	0.03336	-3.7250	-1.8491E-6
-0.021979 402.81E-9						
1 Displacement Grid 1	0.25000	15.50000	-3.50000	0.03512	-3.7250	-2.1011E-6
-0.023664 433.68E-9						
1 Displacement Grid 1	1.25000	15.50000	-3.50000	0.03815	-3.7250	-2.5699E-6
-0.026657 488.53E-9						
1 Displacement Grid 1	2.25000	15.50000	-3.50000	0.04144	-3.7250	-3.1673E-6
-0.030159 552.69E-9						
1 Displacement Grid 1	3.25000	15.50000	-3.50000	0.04499	-3.7250	-3.9356E-6
-0.034279 628.16E-9						
1 Displacement Grid 1	4.25000	15.50000	-3.50000	0.04879	-3.7250	-4.9331E-6
-0.039152 717.43E-9						
1 Displacement Grid 1	5.25000	15.50000	-3.50000	0.05282	-3.7250	-6.2418E-6
-0.044951 823.65E-9						
1 Displacement Grid 1	6.25000	15.50000	-3.50000	0.05704	-3.7250	-7.9776E-6
-0.051895 950.82E-9						
1 Displacement Grid 1	7.25000	15.50000	-3.50000	0.06135	-3.7250	-10.307E-6
-0.060264 1.1041E-6						
1 Displacement Grid 1	8.25000	15.50000	-3.50000	0.06563	-3.7250	-13.474E-6
-0.070417 1.2900E-6						
1 Displacement Grid 1	9.25000	15.50000	-3.50000	0.06968	-3.7250	-17.837E-6
-0.082821 1.5171E-6						
1 Displacement Grid 1	10.25000	15.50000	-3.50000	0.07323	-3.7250	-23.934E-6
-0.098081 1.7964E-6						
1 Displacement Grid 1	11.25000	15.50000	-3.50000	0.07587	-3.7250	-32.583E-6
-0.11698 2.1423E-6						
1 Displacement Grid 1	12.25000	15.50000	-3.50000	0.07709	-3.7250	-45.044E-6
-0.14054 2.5733E-6						
1 Displacement Grid 1	13.25000	15.50000	-3.50000	0.07621	-3.7250	-63.273E-6
-0.17007 3.1132E-6						
1 Displacement Grid 1	14.25000	15.50000	-3.50000	0.07241	-3.7250	-90.301E-6
-0.20719 3.7917E-6						
1 Displacement Grid 1	15.25000	15.50000	-3.50000	0.06481	-3.7250	-130.74E-6
-0.25381 4.6436E-6						
1 Displacement Grid 1	16.25000	15.50000	-3.50000	0.05258	-3.7250	-191.20E-6
-0.31193 5.7047E-6						
1 Displacement Grid 1	17.25000	15.50000	-3.50000	0.03528	-3.7250	-279.85E-6
-0.38291 6.9993E-6						
1 Displacement Grid 1	18.25000	15.50000	-3.50000	0.01330	-3.7250	-403.14E-6
-0.46606 8.5147E-6						
1 Displacement Grid 1	19.25000	15.50000	-3.50000	-0.01161	-3.7250	-557.88E-6
-0.55655 10.162E-6						
1 Displacement Grid 1	20.25000	15.50000	-3.50000	-0.03613	-3.7250	-722.24E-6
-0.64395 11.752E-6						
1 Displacement Grid 1	21.25000	15.50000	-3.50000	-0.05599	-3.7250	-858.75E-6
-0.71398 13.026E-6						
1 Displacement Grid 1	22.25000	15.50000	-3.50000	-0.06729	-3.7250	-932.49E-6
-0.75354 13.746E-6						
1 Displacement Grid 1	23.25000	15.50000	-3.50000	-0.06779	-3.7250	-926.02E-6
-0.75540 13.781E-6						
1 Displacement Grid 1	24.25000	15.50000	-3.50000	-0.05756	-3.7250	-842.69E-6
-0.72012 13.140E-6						
1 Displacement Grid 1	25.25000	15.50000	-3.50000	-0.03891	-3.7250	-706.03E-6
-0.65569 11.969E-6						
1 Displacement Grid 1	26.25000	15.50000	-3.50000	-0.01553	-3.7250	-551.66E-6
-0.57475 10.496E-6						
1 Displacement Grid 1	27.25000	15.50000	-3.50000	0.00867	-3.7250	-409.95E-6

-0.48983	8.9499E-6						
1 Displacement Grid 1	28.25000	15.50000	-3.50000	0.03068	-3.7250	-295.36E-6	
-0.40975	7.4903E-6						
1 Displacement Grid 1	29.25000	15.50000	-3.50000	0.04874	-3.7250	-209.41E-6	
-0.33910	6.2013E-6						
1 Displacement Grid 1	30.25000	15.50000	-3.50000	0.06220	-3.7250	-147.69E-6	
-0.27929	5.1094E-6						
1 Displacement Grid 1	31.25000	15.50000	-3.50000	0.07120	-3.7250	-104.38E-6	
-0.22991	4.2074E-6						
1 Displacement Grid 1	32.25000	15.50000	-3.50000	0.07632	-3.7250	-74.289E-6	
-0.18972	3.4728E-6						
1 Displacement Grid 1	33.25000	15.50000	-3.50000	0.07833	-3.7250	-53.406E-6	
-0.15723	2.8786E-6						
1 Displacement Grid 1	34.25000	15.50000	-3.50000	0.07798	-3.7250	-38.839E-6	
-0.13100	2.3988E-6						
1 Displacement Grid 1	35.25000	15.50000	-3.50000	0.07594	-3.7250	-28.592E-6	
-0.10979	2.0108E-6						
1 Displacement Grid 1	36.25000	15.50000	-3.50000	0.07278	-3.7250	-21.308E-6	
-0.092595	1.6960E-6						
1 Displacement Grid 1	37.25000	15.50000	-3.50000	0.06892	-3.7250	-16.071E-6	
-0.078579	1.4394E-6						
1 Displacement Grid 1	38.25000	15.50000	-3.50000	0.06470	-3.7250	-12.262E-6	
-0.067094	1.2292E-6						
1 Displacement Grid 1	39.25000	15.50000	-3.50000	0.06035	-3.7250	-9.4585E-6	
-0.057630	1.0558E-6						
1 Displacement Grid 1	40.25000	15.50000	-3.50000	0.05603	-3.7250	-7.3727E-6	
-0.049784	912.16E-9						
1 Displacement Grid 1	41.25000	15.50000	-3.50000	0.05184	-3.7250	-5.8035E-6	
-0.043242	792.33E-9						
1 Displacement Grid 1	42.25000	15.50000	-3.50000	0.04786	-3.7250	-4.6107E-6	
-0.037754	691.82E-9						
1 Displacement Grid 1	43.25000	15.50000	-3.50000	0.04412	-3.7250	-3.6951E-6	
-0.033126	607.03E-9						
1 Displacement Grid 1	44.25000	15.50000	-3.50000	0.04063	-3.7250	-2.9856E-6	
-0.029200	535.12E-9						
1 Displacement Grid 1	45.25000	15.50000	-3.50000	0.03741	-3.7250	-2.4310E-6	
-0.025853	473.80E-9						
1 Displacement Grid 1	46.25000	15.50000	-3.50000	0.03445	-3.7250	-1.9937E-6	
-0.022985	421.25E-9						
1 Displacement Grid 1	0.25000	16.50000	-3.50000	0.03616	-3.7250	-2.2506E-6	
-0.024658	451.89E-9						
1 Displacement Grid 1	1.25000	16.50000	-3.50000	0.03934	-3.7250	-2.7684E-6	
-0.027871	510.77E-9						
1 Displacement Grid 1	2.25000	16.50000	-3.50000	0.04278	-3.7250	-3.4339E-6	
-0.031653	580.06E-9						
1 Displacement Grid 1	3.25000	16.50000	-3.50000	0.04651	-3.7250	-4.2979E-6	
-0.036132	662.10E-9						
1 Displacement Grid 1	4.25000	16.50000	-3.50000	0.05050	-3.7250	-5.4317E-6	
-0.041470	759.88E-9						
1 Displacement Grid 1	5.25000	16.50000	-3.50000	0.05472	-3.7250	-6.9374E-6	
-0.047877	877.23E-9						
1 Displacement Grid 1	6.25000	16.50000	-3.50000	0.05912	-3.7250	-8.9628E-6	
-0.055624	1.0191E-6						
1 Displacement Grid 1	7.25000	16.50000	-3.50000	0.06358	-3.7250	-11.725E-6	
-0.065067	1.1920E-6						
1 Displacement Grid 1	8.25000	16.50000	-3.50000	0.06794	-3.7250	-15.552E-6	
-0.076674	1.4045E-6						
1 Displacement Grid 1	9.25000	16.50000	-3.50000	0.07195	-3.7250	-20.941E-6	
-0.091072	1.6681E-6						
1 Displacement Grid 1	10.25000	16.50000	-3.50000	0.07521	-3.7250	-28.673E-6	
-0.10910	1.9981E-6						
1 Displacement Grid 1	11.25000	16.50000	-3.50000	0.07718	-3.7250	-39.996E-6	
-0.13192	2.4155E-6						
1 Displacement Grid 1	12.25000	16.50000	-3.50000	0.07712	-3.7250	-56.952E-6	
-0.16109	2.9491E-6						
1 Displacement Grid 1	13.25000	16.50000	-3.50000	0.07399	-3.7250	-82.976E-6	
-0.19880	3.6385E-6						
1 Displacement Grid 1	14.25000	16.50000	-3.50000	0.06648	-3.7250	-123.98E-6	
-0.24804	4.5383E-6						
1 Displacement Grid 1	15.25000	16.50000	-3.50000	0.05300	-3.7250	-190.27E-6	
-0.31291	5.7227E-6						

1 Displacement Grid 1	16.25000	16.50000	-3.50000	0.03185	-3.7250	-299.75E-6
-0.39870 7.2873E-6						
1 Displacement Grid 1	17.25000	16.50000	-3.50000	0.00160	-3.7250	-481.52E-6
-0.51133 9.3388E-6						
1 Displacement Grid 1	18.25000	16.50000	-3.50000	-0.03795	-3.7250	-773.58E-6
-0.65479 11.947E-6						
1 Displacement Grid 1	19.25000	16.50000	-3.50000	-0.08441	-3.7250	-0.0011955
-0.82454 15.028E-6						
1 Displacement Grid 1	20.25000	16.50000	-3.50000	-0.13154	-3.7250	-0.0016883
-0.99923 18.194E-6						
1 Displacement Grid 1	21.25000	16.50000	-3.50000	-0.17028	-3.7250	-0.0021065
-1.1429 20.797E-6						
1 Displacement Grid 1	22.25000	16.50000	-3.50000	-0.19230	-3.7250	-0.0023230
-1.2228 22.246E-6						
1 Displacement Grid 1	23.25000	16.50000	-3.50000	-0.19305	-3.7250	-0.0022903
-1.2226 22.245E-6						
1 Displacement Grid 1	24.25000	16.50000	-3.50000	-0.17277	-3.7250	-0.0020182
-1.1443 20.830E-6						
1 Displacement Grid 1	25.25000	16.50000	-3.50000	-0.13643	-3.7250	-0.0015865
-1.0081 18.365E-6						
1 Displacement Grid 1	26.25000	16.50000	-3.50000	-0.09208	-3.7250	-0.0011359
-0.84691 15.443E-6						
1 Displacement Grid 1	27.25000	16.50000	-3.50000	-0.04759	-3.7250	-769.64E-6
-0.68992 12.592E-6						
1 Displacement Grid 1	28.25000	16.50000	-3.50000	-0.00831	-3.7250	-508.84E-6
-0.55275 10.096E-6						
1 Displacement Grid 1	29.25000	16.50000	-3.50000	0.02325	-3.7250	-334.30E-6
-0.43991 8.0402E-6						
1 Displacement Grid 1	30.25000	16.50000	-3.50000	0.04661	-3.7250	-220.73E-6
-0.35012 6.4025E-6						
1 Displacement Grid 1	31.25000	16.50000	-3.50000	0.06251	-3.7250	-147.54E-6
-0.27987 5.1201E-6						
1 Displacement Grid 1	32.25000	16.50000	-3.50000	0.07224	-3.7250	-100.23E-6
-0.22526 4.1224E-6						
1 Displacement Grid 1	33.25000	16.50000	-3.50000	0.07718	-3.7250	-69.318E-6
-0.18278 3.3459E-6						
1 Displacement Grid 1	34.25000	16.50000	-3.50000	0.07861	-3.7250	-48.810E-6
-0.14960 2.7391E-6						
1 Displacement Grid 1	35.25000	16.50000	-3.50000	0.07759	-3.7250	-34.975E-6
-0.12350 2.2617E-6						
1 Displacement Grid 1	36.25000	16.50000	-3.50000	0.07493	-3.7250	-25.479E-6
-0.10282 1.8832E-6						
1 Displacement Grid 1	37.25000	16.50000	-3.50000	0.07127	-3.7250	-18.849E-6
-0.086302 1.5808E-6						
1 Displacement Grid 1	38.25000	16.50000	-3.50000	0.06704	-3.7250	-14.146E-6
-0.072993 1.3372E-6						
1 Displacement Grid 1	39.25000	16.50000	-3.50000	0.06258	-3.7250	-10.759E-6
-0.062184 1.1393E-6						
1 Displacement Grid 1	40.25000	16.50000	-3.50000	0.05809	-3.7250	-8.2842E-6
-0.053337 977.23E-9						
1 Displacement Grid 1	41.25000	16.50000	-3.50000	0.05371	-3.7250	-6.4519E-6
-0.046040 843.60E-9						
1 Displacement Grid 1	42.25000	16.50000	-3.50000	0.04954	-3.7250	-5.0783E-6
-0.039979 732.58E-9						
1 Displacement Grid 1	43.25000	16.50000	-3.50000	0.04561	-3.7250	-4.0367E-6
-0.034910 639.71E-9						
1 Displacement Grid 1	44.25000	16.50000	-3.50000	0.04195	-3.7250	-3.2381E-6
-0.030642 561.54E-9						
1 Displacement Grid 1	45.25000	16.50000	-3.50000	0.03857	-3.7250	-2.6197E-6
-0.027028 495.32E-9						
1 Displacement Grid 1	46.25000	16.50000	-3.50000	0.03547	-3.7250	-2.1363E-6
-0.023949 438.91E-9						
1 Displacement Grid 1	0.25000	17.50000	-3.50000	0.03711	-3.7250	-2.3937E-6
-0.025586 468.90E-9						
1 Displacement Grid 1	1.25000	17.50000	-3.50000	0.04042	-3.7250	-2.9599E-6
-0.029011 531.65E-9						
1 Displacement Grid 1	2.25000	17.50000	-3.50000	0.04401	-3.7250	-3.6932E-6
-0.033064 605.90E-9						
1 Displacement Grid 1	3.25000	17.50000	-3.50000	0.04790	-3.7250	-4.6534E-6
-0.037893 694.36E-9						
1 Displacement Grid 1	4.25000	17.50000	-3.50000	0.05206	-3.7250	-5.9260E-6

-0.043689	800.52E-9							
1	Displacement	Grid 1	5.25000	17.50000	-3.50000	0.05646	-3.7250	-7.6352E-6
-0.050701	928.96E-9							
1	Displacement	Grid 1	6.25000	17.50000	-3.50000	0.06101	-3.7250	-9.9644E-6
-0.059259	1.0857E-6							
1	Displacement	Grid 1	7.25000	17.50000	-3.50000	0.06560	-3.7250	-13.190E-6
-0.069801	1.2787E-6							
1	Displacement	Grid 1	8.25000	17.50000	-3.50000	0.06999	-3.7250	-17.736E-6
-0.082920	1.5189E-6							
1	Displacement	Grid 1	9.25000	17.50000	-3.50000	0.07386	-3.7250	-24.275E-6
-0.099430	1.8211E-6							
1	Displacement	Grid 1	10.25000	17.50000	-3.50000	0.07672	-3.7250	-33.893E-6
-0.12046	2.2060E-6							
1	Displacement	Grid 1	11.25000	17.50000	-3.50000	0.07782	-3.7250	-48.410E-6
-0.14763	2.7030E-6							
1	Displacement	Grid 1	12.25000	17.50000	-3.50000	0.07609	-3.7250	-70.985E-6
-0.18326	3.3545E-6							
1	Displacement	Grid 1	13.25000	17.50000	-3.50000	0.07006	-3.7250	-107.33E-6
-0.23076	4.2227E-6							
1	Displacement	Grid 1	14.25000	17.50000	-3.50000	0.05767	-3.7250	-168.28E-6
-0.29530	5.4014E-6							
1	Displacement	Grid 1	15.25000	17.50000	-3.50000	0.03619	-3.7250	-275.48E-6
-0.38480	7.0343E-6							
1	Displacement	Grid 1	16.25000	17.50000	-3.50000	0.00224	-3.7250	-474.35E-6
-0.51152	9.3428E-6							
1	Displacement	Grid 1	17.25000	17.50000	-3.50000	-0.04795	-3.7250	-862.88E-6
-0.69393	12.658E-6							
1	Displacement	Grid 1	18.25000	17.50000	-3.50000	-0.11727	-3.7250	-0.0016398
-0.95598	17.405E-6							
1	Displacement	Grid 1	19.25000	17.50000	-3.50000	-0.20432	-3.7250	-0.0030766
-1.3115	23.816E-6							
1	Displacement	Grid 1	20.25000	17.50000	-3.50000	-0.29763	-3.7250	-0.0050659
-1.7175	31.113E-6							
1	Displacement	Grid 1	21.25000	17.50000	-3.50000	-0.37560	-3.7250	-0.0067423
-2.0583	37.237E-6							
1	Displacement	Grid 1	22.25000	17.50000	-3.50000	-0.41914	-3.7250	-0.0075095
-2.2386	40.486E-6							
1	Displacement	Grid 1	23.25000	17.50000	-3.50000	-0.41966	-3.7250	-0.0073460
-2.2276	40.297E-6							
1	Displacement	Grid 1	24.25000	17.50000	-3.50000	-0.37763	-3.7250	-0.0062226
-2.0279	36.719E-6							
1	Displacement	Grid 1	25.25000	17.50000	-3.50000	-0.30375	-3.7250	-0.0043860
-1.6910	30.678E-6							
1	Displacement	Grid 1	26.25000	17.50000	-3.50000	-0.21754	-3.7250	-0.0026857
-1.3251	24.095E-6							
1	Displacement	Grid 1	27.25000	17.50000	-3.50000	-0.13594	-3.7250	-0.0015735
-1.0093	18.388E-6							
1	Displacement	Grid 1	28.25000	17.50000	-3.50000	-0.06745	-3.7250	-922.37E-6
-0.76236	13.909E-6							
1	Displacement	Grid 1	29.25000	17.50000	-3.50000	-0.01453	-3.7250	-548.27E-6
-0.57705	10.539E-6							
1	Displacement	Grid 1	30.25000	17.50000	-3.50000	0.02366	-3.7250	-333.49E-6
-0.44054	8.0520E-6							
1	Displacement	Grid 1	31.25000	17.50000	-3.50000	0.04943	-3.7250	-208.69E-6
-0.34038	6.2248E-6							
1	Displacement	Grid 1	32.25000	17.50000	-3.50000	0.06552	-3.7250	-134.52E-6
-0.26647	4.8753E-6							
1	Displacement	Grid 1	33.25000	17.50000	-3.50000	0.07442	-3.7250	-89.201E-6
-0.21138	3.8687E-6							
1	Displacement	Grid 1	34.25000	17.50000	-3.50000	0.07823	-3.7250	-60.718E-6
-0.16981	3.1086E-6							
1	Displacement	Grid 1	35.25000	17.50000	-3.50000	0.07856	-3.7250	-42.319E-6
-0.13803	2.5275E-6							
1	Displacement	Grid 1	36.25000	17.50000	-3.50000	0.07662	-3.7250	-30.131E-6
-0.11344	2.0775E-6							
1	Displacement	Grid 1	37.25000	17.50000	-3.50000	0.07327	-3.7250	-21.869E-6
-0.094177	1.7250E-6							
1	Displacement	Grid 1	38.25000	17.50000	-3.50000	0.06912	-3.7250	-16.150E-6
-0.078917	1.4456E-6							
1	Displacement	Grid 1	39.25000	17.50000	-3.50000	0.06460	-3.7250	-12.116E-6
-0.066698	1.2219E-6							

1 Displacement Grid 1	40.25000	17.50000	-3.50000	0.05998	-3.7250	-9.2196E-6
-0.056819 1.0410E-6						
1 Displacement Grid 1	41.25000	17.50000	-3.50000	0.05543	-3.7250	-7.1079E-6
-0.048756 893.33E-9						
1 Displacement Grid 1	42.25000	17.50000	-3.50000	0.05108	-3.7250	-5.5456E-6
-0.042119 771.77E-9						
1 Displacement Grid 1	43.25000	17.50000	-3.50000	0.04698	-3.7250	-4.3742E-6
-0.036612 670.90E-9						
1 Displacement Grid 1	44.25000	17.50000	-3.50000	0.04316	-3.7250	-3.4853E-6
-0.032009 586.58E-9						
1 Displacement Grid 1	45.25000	17.50000	-3.50000	0.03964	-3.7250	-2.8029E-6
-0.028135 515.59E-9						
1 Displacement Grid 1	46.25000	17.50000	-3.50000	0.03640	-3.7250	-2.2736E-6
-0.024852 455.45E-9						
1 Displacement Grid 1	0.25000	18.50000	-3.50000	0.03796	-3.7250	-2.5267E-6
-0.026430 484.35E-9						
1 Displacement Grid 1	1.25000	18.50000	-3.50000	0.04139	-3.7250	-3.1390E-6
-0.030051 550.71E-9						
1 Displacement Grid 1	2.25000	18.50000	-3.50000	0.04511	-3.7250	-3.9374E-6
-0.034358 629.61E-9						
1 Displacement Grid 1	3.25000	18.50000	-3.50000	0.04914	-3.7250	-4.9909E-6
-0.039518 724.13E-9						
1 Displacement Grid 1	4.25000	18.50000	-3.50000	0.05346	-3.7250	-6.3998E-6
-0.045751 838.29E-9						
1 Displacement Grid 1	5.25000	18.50000	-3.50000	0.05800	-3.7250	-8.3112E-6
-0.053346 977.40E-9						
1 Displacement Grid 1	6.25000	18.50000	-3.50000	0.06269	-3.7250	-10.946E-6
-0.062693 1.1486E-6						
1 Displacement Grid 1	7.25000	18.50000	-3.50000	0.06736	-3.7250	-14.646E-6
-0.074318 1.3614E-6						
1 Displacement Grid 1	8.25000	18.50000	-3.50000	0.07174	-3.7250	-19.944E-6
-0.088949 1.6293E-6						
1 Displacement Grid 1	9.25000	18.50000	-3.50000	0.07542	-3.7250	-27.708E-6
-0.10761 1.9708E-6						
1 Displacement Grid 1	10.25000	18.50000	-3.50000	0.07777	-3.7250	-39.392E-6
-0.13176 2.4128E-6						
1 Displacement Grid 1	11.25000	18.50000	-3.50000	0.07781	-3.7250	-57.522E-6
-0.16357 2.9945E-6						
1 Displacement Grid 1	12.25000	18.50000	-3.50000	0.07414	-3.7250	-86.707E-6
-0.20626 3.7751E-6						
1 Displacement Grid 1	13.25000	18.50000	-3.50000	0.06464	-3.7250	-135.83E-6
-0.26491 4.8466E-6						
1 Displacement Grid 1	14.25000	18.50000	-3.50000	0.04629	-3.7250	-223.24E-6
-0.34770 6.3580E-6						
1 Displacement Grid 1	15.25000	18.50000	-3.50000	0.01470	-3.7250	-390.29E-6
-0.46859 8.5620E-6						
1 Displacement Grid 1	16.25000	18.50000	-3.50000	-0.03633	-3.7250	-740.88E-6
-0.65271 11.912E-6						
1 Displacement Grid 1	17.25000	18.50000	-3.50000	-0.11551	-3.7250	-0.0015740
-0.94840 17.271E-6						
1 Displacement Grid 1	18.25000	18.50000	-3.50000	-0.23444	-3.7250	-0.0038799
-1.4527 26.347E-6						
1 Displacement Grid 1	19.25000	18.50000	-3.50000	-0.40433	-3.7250	-0.010878
-2.3339 41.985E-6						
1 Displacement Grid 1	20.25000	18.50000	-3.50000	-0.61029	-3.7250	-0.025583
-3.5970 64.054E-6						
1 Displacement Grid 1	21.25000	18.50000	-3.50000	-0.78228	-3.7250	-0.036576
-4.6295 82.172E-6						
1 Displacement Grid 1	22.25000	18.50000	-3.50000	-0.87114	-3.7250	-0.039926
-5.0891 90.350E-6						
1 Displacement Grid 1	23.25000	18.50000	-3.50000	-0.86954	-3.7250	-0.039095
-5.0353 89.425E-6						
1 Displacement Grid 1	24.25000	18.50000	-3.50000	-0.77452	-3.7250	-0.032420
-4.4172 78.587E-6						
1 Displacement Grid 1	25.25000	18.50000	-3.50000	-0.60401	-3.7250	-0.018035
-3.2918 59.016E-6						
1 Displacement Grid 1	26.25000	18.50000	-3.50000	-0.42271	-3.7250	-0.0077347
-2.2514 40.705E-6						
1 Displacement Grid 1	27.25000	18.50000	-3.50000	-0.27061	-3.7250	-0.0035803
-1.5449 28.059E-6						
1 Displacement Grid 1	28.25000	18.50000	-3.50000	-0.15285	-3.7250	-0.0017726

-1.0752	19.582E-6						
1 Displacement Grid 1	29.25000	18.50000	-3.50000	-0.06689	-3.7250	-921.06E-6	
-0.76277	13.916E-6						
1 Displacement Grid 1	30.25000	18.50000	-3.50000	-0.00739	-3.7250	-505.49E-6	
-0.55385	10.117E-6						
1 Displacement Grid 1	31.25000	18.50000	-3.50000	0.03181	-3.7250	-292.97E-6	
-0.41174	7.5270E-6						
1 Displacement Grid 1	32.25000	18.50000	-3.50000	0.05618	-3.7250	-178.28E-6	
-0.31284	5.7222E-6						
1 Displacement Grid 1	33.25000	18.50000	-3.50000	0.07009	-3.7250	-113.14E-6	
-0.24238	4.4352E-6						
1 Displacement Grid 1	34.25000	18.50000	-3.50000	0.07686	-3.7250	-74.405E-6	
-0.19106	3.4973E-6						
1 Displacement Grid 1	35.25000	18.50000	-3.50000	0.07887	-3.7250	-50.455E-6	
-0.15294	2.8002E-6						
1 Displacement Grid 1	36.25000	18.50000	-3.50000	0.07783	-3.7250	-35.132E-6	
-0.12411	2.2728E-6						
1 Displacement Grid 1	37.25000	18.50000	-3.50000	0.07490	-3.7250	-25.034E-6	
-0.10196	1.8674E-6						
1 Displacement Grid 1	38.25000	18.50000	-3.50000	0.07090	-3.7250	-18.207E-6	
-0.084687	1.5512E-6						
1 Displacement Grid 1	39.25000	18.50000	-3.50000	0.06637	-3.7250	-13.483E-6	
-0.071041	1.3014E-6						
1 Displacement Grid 1	40.25000	18.50000	-3.50000	0.06165	-3.7250	-10.148E-6	
-0.060132	1.1017E-6						
1 Displacement Grid 1	41.25000	18.50000	-3.50000	0.05697	-3.7250	-7.7504E-6	
-0.051316	940.21E-9						
1 Displacement Grid 1	42.25000	18.50000	-3.50000	0.05246	-3.7250	-5.9979E-6	
-0.044120	808.42E-9						
1 Displacement Grid 1	43.25000	18.50000	-3.50000	0.04821	-3.7250	-4.6977E-6	
-0.038193	699.86E-9						
1 Displacement Grid 1	44.25000	18.50000	-3.50000	0.04425	-3.7250	-3.7200E-6	
-0.033270	609.68E-9						
1 Displacement Grid 1	45.25000	18.50000	-3.50000	0.04059	-3.7250	-2.9755E-6	
-0.029150	534.19E-9						
1 Displacement Grid 1	46.25000	18.50000	-3.50000	0.03724	-3.7250	-2.4021E-6	
-0.025676	470.55E-9						
1 Displacement Grid 1	0.25000	19.50000	-3.50000	0.03869	-3.7250	-2.6455E-6	
-0.027169	497.91E-9						
1 Displacement Grid 1	1.25000	19.50000	-3.50000	0.04222	-3.7250	-3.2999E-6	
-0.030968	567.50E-9						
1 Displacement Grid 1	2.25000	19.50000	-3.50000	0.04606	-3.7250	-4.1582E-6	
-0.035503	650.59E-9						
1 Displacement Grid 1	3.25000	19.50000	-3.50000	0.05022	-3.7250	-5.2985E-6	
-0.040964	750.61E-9						
1 Displacement Grid 1	4.25000	19.50000	-3.50000	0.05466	-3.7250	-6.8349E-6	
-0.047596	872.08E-9						
1 Displacement Grid 1	5.25000	19.50000	-3.50000	0.05934	-3.7250	-8.9377E-6	
-0.055729	1.0210E-6						
1 Displacement Grid 1	6.25000	19.50000	-3.50000	0.06413	-3.7250	-11.866E-6	
-0.065810	1.2056E-6						
1 Displacement Grid 1	7.25000	19.50000	-3.50000	0.06885	-3.7250	-16.026E-6	
-0.078454	1.4371E-6						
1 Displacement Grid 1	8.25000	19.50000	-3.50000	0.07318	-3.7250	-22.067E-6	
-0.094528	1.7314E-6						
1 Displacement Grid 1	9.25000	19.50000	-3.50000	0.07663	-3.7250	-31.065E-6	
-0.11527	2.1110E-6						
1 Displacement Grid 1	10.25000	19.50000	-3.50000	0.07841	-3.7250	-44.873E-6	
-0.14250	2.6091E-6						
1 Displacement Grid 1	11.25000	19.50000	-3.50000	0.07732	-3.7250	-66.815E-6	
-0.17896	3.2760E-6						
1 Displacement Grid 1	12.25000	19.50000	-3.50000	0.07151	-3.7250	-103.20E-6	
-0.22894	4.1896E-6						
1 Displacement Grid 1	13.25000	19.50000	-3.50000	0.05822	-3.7250	-166.79E-6	
-0.29942	5.4771E-6						
1 Displacement Grid 1	14.25000	19.50000	-3.50000	0.03321	-3.7250	-285.79E-6	
-0.40238	7.3558E-6						
1 Displacement Grid 1	15.25000	19.50000	-3.50000	-0.01000	-3.7250	-529.93E-6	
-0.55983	10.224E-6						
1 Displacement Grid 1	16.25000	19.50000	-3.50000	-0.08161	-3.7250	-0.0011014	
-0.81639	14.886E-6						

1 Displacement Grid 1	17.25000	19.50000	-3.50000	-0.19866	-3.7250	-0.0027419
-1.2760 23.191E-6						
1 Displacement Grid 1	18.25000	19.50000	-3.50000	-0.39414	-3.7250	-0.0094506
-2.2407 40.382E-6						
1 Displacement Grid 1	19.25000	19.50000	-3.50000	-0.75143	-3.7250	-0.065444
-4.9794 86.454E-6						
1 Displacement Grid 1	20.25000	19.50000	-3.50000	-1.39499	-3.7250	-0.71360
-14.126 206.26E-6						
1 Displacement Grid 1	21.25000	19.50000	-3.50000	-1.86775	-3.7250	-0.95215
-19.438 286.01E-6						
1 Displacement Grid 1	22.25000	19.50000	-3.50000	-2.04987	-3.7250	-0.96795
-20.665 307.34E-6						
1 Displacement Grid 1	23.25000	19.50000	-3.50000	-2.04326	-3.7250	-0.96450
-20.497 304.52E-6						
1 Displacement Grid 1	24.25000	19.50000	-3.50000	-1.80269	-3.7250	-0.89518
-18.052 264.80E-6						
1 Displacement Grid 1	25.25000	19.50000	-3.50000	-1.22384	-3.7250	-0.20661
-8.9665 149.12E-6						
1 Displacement Grid 1	26.25000	19.50000	-3.50000	-0.76410	-3.7250	-0.028465
-4.2722 76.220E-6						
1 Displacement Grid 1	27.25000	19.50000	-3.50000	-0.47211	-3.7250	-0.0096063
-2.5070 45.252E-6						
1 Displacement Grid 1	28.25000	19.50000	-3.50000	-0.27017	-3.7250	-0.0036663
-1.5492 28.130E-6						
1 Displacement Grid 1	29.25000	19.50000	-3.50000	-0.13456	-3.7250	-0.0015693
-1.0090 18.382E-6						
1 Displacement Grid 1	30.25000	19.50000	-3.50000	-0.04601	-3.7250	-757.80E-6
-0.69060 12.605E-6						
1 Displacement Grid 1	31.25000	19.50000	-3.50000	0.01026	-3.7250	-403.25E-6
-0.49236 8.9969E-6						
1 Displacement Grid 1	32.25000	19.50000	-3.50000	0.04468	-3.7250	-231.18E-6
-0.36275 6.6333E-6						
1 Displacement Grid 1	33.25000	19.50000	-3.50000	0.06449	-3.7250	-140.44E-6
-0.27453 5.0227E-6						
1 Displacement Grid 1	34.25000	19.50000	-3.50000	0.07467	-3.7250	-89.347E-6
-0.21248 3.8888E-6						
1 Displacement Grid 1	35.25000	19.50000	-3.50000	0.07860	-3.7250	-59.032E-6
-0.16762 3.0686E-6						
1 Displacement Grid 1	36.25000	19.50000	-3.50000	0.07858	-3.7250	-40.257E-6
-0.13442 2.4613E-6						
1 Displacement Grid 1	37.25000	19.50000	-3.50000	0.07617	-3.7250	-28.204E-6
-0.10935 2.0027E-6						
1 Displacement Grid 1	38.25000	19.50000	-3.50000	0.07237	-3.7250	-20.226E-6
-0.090092 1.6502E-6						
1 Displacement Grid 1	39.25000	19.50000	-3.50000	0.06786	-3.7250	-14.804E-6
-0.075061 1.3750E-6						
1 Displacement Grid 1	40.25000	19.50000	-3.50000	0.06308	-3.7250	-11.032E-6
-0.063169 1.1573E-6						
1 Displacement Grid 1	41.25000	19.50000	-3.50000	0.05829	-3.7250	-8.3548E-6
-0.053642 982.82E-9						
1 Displacement Grid 1	42.25000	19.50000	-3.50000	0.05366	-3.7250	-6.4189E-6
-0.045925 841.48E-9						
1 Displacement Grid 1	43.25000	19.50000	-3.50000	0.04928	-3.7250	-4.9961E-6
-0.039610 725.81E-9						
1 Displacement Grid 1	44.25000	19.50000	-3.50000	0.04519	-3.7250	-3.9347E-6
-0.034394 630.27E-9						
1 Displacement Grid 1	45.25000	19.50000	-3.50000	0.04142	-3.7250	-3.1322E-6
-0.030050 550.69E-9						
1 Displacement Grid 1	46.25000	19.50000	-3.50000	0.03796	-3.7250	-2.5180E-6
-0.026404 483.88E-9						
1 Displacement Grid 1	0.25000	20.50000	-3.50000	0.03930	-3.7250	-2.7465E-6
-0.027788 509.25E-9						
1 Displacement Grid 1	1.25000	20.50000	-3.50000	0.04291	-3.7250	-3.4372E-6
-0.031737 581.59E-9						
1 Displacement Grid 1	2.25000	20.50000	-3.50000	0.04685	-3.7250	-4.3476E-6
-0.036468 668.26E-9						
1 Displacement Grid 1	3.25000	20.50000	-3.50000	0.05111	-3.7250	-5.5638E-6
-0.042187 773.02E-9						
1 Displacement Grid 1	4.25000	20.50000	-3.50000	0.05566	-3.7250	-7.2128E-6
-0.049164 900.82E-9						
1 Displacement Grid 1	5.25000	20.50000	-3.50000	0.06043	-3.7250	-9.4862E-6

-0.057766	1.0583E-6							
1 Displacement	Grid 1	6.25000	20.50000	-3.50000	0.06531	-3.7250	-12.679E-6	
-0.068492	1.2548E-6							
1 Displacement	Grid 1	7.25000	20.50000	-3.50000	0.07006	-3.7250	-17.258E-6	
-0.082042	1.5028E-6							
1 Displacement	Grid 1	8.25000	20.50000	-3.50000	0.07433	-3.7250	-23.982E-6	
-0.099408	1.8207E-6							
1 Displacement	Grid 1	9.25000	20.50000	-3.50000	0.07753	-3.7250	-34.134E-6	
-0.12204	2.2348E-6							
1 Displacement	Grid 1	10.25000	20.50000	-3.50000	0.07874	-3.7250	-49.961E-6	
-0.15209	2.7847E-6							
1 Displacement	Grid 1	11.25000	20.50000	-3.50000	0.07651	-3.7250	-75.595E-6	
-0.19291	3.5311E-6							
1 Displacement	Grid 1	12.25000	20.50000	-3.50000	0.06861	-3.7250	-119.10E-6	
-0.24983	4.5715E-6							
1 Displacement	Grid 1	13.25000	20.50000	-3.50000	0.05155	-3.7250	-197.36E-6	
-0.33183	6.0689E-6							
1 Displacement	Grid 1	14.25000	20.50000	-3.50000	0.01985	-3.7250	-349.31E-6	
-0.45490	8.3140E-6							
1 Displacement	Grid 1	15.25000	20.50000	-3.50000	-0.03525	-3.7250	-676.88E-6	
-0.64997	11.866E-6							
1 Displacement	Grid 1	16.25000	20.50000	-3.50000	-0.12844	-3.7250	-0.0015006	
-0.98423	17.933E-6							
1 Displacement	Grid 1	17.25000	20.50000	-3.50000	-0.28692	-3.7250	-0.0041591	
-1.6318	29.609E-6							
1 Displacement	Grid 1	18.25000	20.50000	-3.50000	-0.57432	-3.7250	-0.017911	
-3.2068	57.467E-6							
1 Displacement	Grid 1	19.25000	20.50000	-3.50000	-1.23580	-3.7250	-0.25925	
-10.005	164.28E-6							
1 Displacement	Grid 1	20.25000	20.50000	-3.50000	-4.45643	-3.6800	-59.598	
-137.47	-0.0018833							
1 Displacement	Grid 1	21.25000	20.50000	-3.50000	-5.69269	-3.6800	-62.433	
-161.59	-0.0016507							
1 Displacement	Grid 1	22.25000	20.50000	-3.50000	-6.01101	-3.6800	-62.456	
-163.61	-0.0016153							
1 Displacement	Grid 1	23.25000	20.50000	-3.50000	-6.01070	-3.6800	-62.452	
-163.43	-0.0016183							
1 Displacement	Grid 1	24.25000	20.50000	-3.50000	-5.54936	-3.6800	-62.266	
-158.08	-0.0017026							
1 Displacement	Grid 1	25.25000	20.50000	-3.50000	-2.47262	-3.7250	-2.3175	
-29.825	375.56E-6							
1 Displacement	Grid 1	26.25000	20.50000	-3.50000	-1.38981	-3.7250	-0.20734	
-10.230	172.23E-6							
1 Displacement	Grid 1	27.25000	20.50000	-3.50000	-0.77980	-3.7250	-0.039473	
-4.5484	80.470E-6							
1 Displacement	Grid 1	28.25000	20.50000	-3.50000	-0.42130	-3.7250	-0.0081354	
-2.2604	40.840E-6							
1 Displacement	Grid 1	29.25000	20.50000	-3.50000	-0.21445	-3.7250	-0.0026211	
-1.3162	23.936E-6							
1 Displacement	Grid 1	30.25000	20.50000	-3.50000	-0.08961	-3.7250	-0.0010954	
-0.84460	15.403E-6							
1 Displacement	Grid 1	31.25000	20.50000	-3.50000	-0.01354	-3.7250	-535.28E-6	
-0.57748	10.548E-6							
1 Displacement	Grid 1	32.25000	20.50000	-3.50000	0.03202	-3.7250	-290.12E-6	
-0.41312	7.5524E-6							
1 Displacement	Grid 1	33.25000	20.50000	-3.50000	0.05818	-3.7250	-169.35E-6	
-0.30590	5.5957E-6							
1 Displacement	Grid 1	34.25000	20.50000	-3.50000	0.07195	-3.7250	-104.56E-6	
-0.23283	4.2608E-6							
1 Displacement	Grid 1	35.25000	20.50000	-3.50000	0.07789	-3.7250	-67.504E-6	
-0.18126	3.3182E-6							
1 Displacement	Grid 1	36.25000	20.50000	-3.50000	0.07896	-3.7250	-45.195E-6	
-0.14383	2.6336E-6							
1 Displacement	Grid 1	37.25000	20.50000	-3.50000	0.07708	-3.7250	-31.195E-6	
-0.11601	2.1245E-6							
1 Displacement	Grid 1	38.25000	20.50000	-3.50000	0.07352	-3.7250	-22.099E-6	
-0.094900	1.7382E-6							
1 Displacement	Grid 1	39.25000	20.50000	-3.50000	0.06907	-3.7250	-16.010E-6	
-0.078601	1.4398E-6							
1 Displacement	Grid 1	40.25000	20.50000	-3.50000	0.06426	-3.7250	-11.830E-6	
-0.065819	1.2058E-6							



1 Displacement Grid 1	41.25000	20.50000	-3.50000	0.05938	-3.7250	-8.8942E-6
-0.055657 1.0197E-6						
1 Displacement Grid 1	42.25000	20.50000	-3.50000	0.05465	-3.7250	-6.7911E-6
-0.047477 869.92E-9						
1 Displacement Grid 1	43.25000	20.50000	-3.50000	0.05016	-3.7250	-5.2576E-6
-0.040821 748.00E-9						
1 Displacement Grid 1	44.25000	20.50000	-3.50000	0.04597	-3.7250	-4.1216E-6
-0.035350 647.78E-9						
1 Displacement Grid 1	45.25000	20.50000	-3.50000	0.04211	-3.7250	-3.2678E-6
-0.030813 564.66E-9						
1 Displacement Grid 1	46.25000	20.50000	-3.50000	0.03856	-3.7250	-2.6178E-6
-0.027018 495.13E-9						
1 Displacement Grid 1	0.25000	21.50000	-3.50000	0.03976	-3.7250	-2.8260E-6
-0.028271 518.09E-9						
1 Displacement Grid 1	1.25000	21.50000	-3.50000	0.04344	-3.7250	-3.5458E-6
-0.032338 592.60E-9						
1 Displacement Grid 1	2.25000	21.50000	-3.50000	0.04746	-3.7250	-4.4980E-6
-0.037225 682.12E-9						
1 Displacement Grid 1	3.25000	21.50000	-3.50000	0.05179	-3.7250	-5.7754E-6
-0.043149 790.64E-9						
1 Displacement Grid 1	4.25000	21.50000	-3.50000	0.05643	-3.7250	-7.5159E-6
-0.050403 923.50E-9						
1 Displacement Grid 1	5.25000	21.50000	-3.50000	0.06128	-3.7250	-9.9287E-6
-0.059381 1.0879E-6						
1 Displacement Grid 1	6.25000	21.50000	-3.50000	0.06621	-3.7250	-13.339E-6
-0.070630 1.2939E-6						
1 Displacement Grid 1	7.25000	21.50000	-3.50000	0.07097	-3.7250	-18.266E-6
-0.084917 1.5555E-6						
1 Displacement Grid 1	8.25000	21.50000	-3.50000	0.07517	-3.7250	-25.564E-6
-0.10335 1.8928E-6						
1 Displacement Grid 1	9.25000	21.50000	-3.50000	0.07815	-3.7250	-36.694E-6
-0.12754 2.3356E-6						
1 Displacement Grid 1	10.25000	21.50000	-3.50000	0.07886	-3.7250	-54.252E-6
-0.15997 2.9288E-6						
1 Displacement Grid 1	11.25000	21.50000	-3.50000	0.07564	-3.7250	-83.089E-6
-0.20448 3.7427E-6						
1 Displacement Grid 1	12.25000	21.50000	-3.50000	0.06590	-3.7250	-132.84E-6
-0.26736 4.8917E-6						
1 Displacement Grid 1	13.25000	21.50000	-3.50000	0.04551	-3.7250	-224.08E-6
-0.35936 6.5716E-6						
1 Displacement Grid 1	14.25000	21.50000	-3.50000	0.00789	-3.7250	-405.32E-6
-0.50008 9.1382E-6						
1 Displacement Grid 1	15.25000	21.50000	-3.50000	-0.05777	-3.7250	-806.52E-6
-0.72838 13.294E-6						
1 Displacement Grid 1	16.25000	21.50000	-3.50000	-0.17009	-3.7250	-0.0018461
-1.1307 20.594E-6						
1 Displacement Grid 1	17.25000	21.50000	-3.50000	-0.36464	-3.7250	-0.0053052
-1.9370 35.120E-6						
1 Displacement Grid 1	18.25000	21.50000	-3.50000	-0.72661	-3.7250	-0.023453
-3.9667 70.990E-6						
1 Displacement Grid 1	19.25000	21.50000	-3.50000	-1.57376	-3.7250	-0.31379
-12.618 208.15E-6						
1 Displacement Grid 1	20.25000	21.50000	-3.50000	-5.23640	-3.6800	-59.981
-146.18 -0.0017520						
1 Displacement Grid 1	21.25000	21.50000	-3.50000	-6.77791	-3.6800	-62.941
-173.83 -0.0014637						
1 Displacement Grid 1	22.25000	21.50000	-3.50000	-7.20164	-3.6800	-62.970
-176.54 -0.0014163						
1 Displacement Grid 1	23.25000	21.50000	-3.50000	-7.24156	-3.6800	-62.969
-176.61 -0.0014148						
1 Displacement Grid 1	24.25000	21.50000	-3.50000	-6.87895	-3.6800	-62.891
-173.34 -0.0014690						
1 Displacement Grid 1	25.25000	21.50000	-3.50000	-5.66341	-3.6800	-58.582
-146.35 -0.0016455						
1 Displacement Grid 1	26.25000	21.50000	-3.50000	-4.16719	-3.6800	-55.870
-120.57 -0.0019177						
1 Displacement Grid 1	27.25000	21.50000	-3.50000	-1.23061	-3.7250	-0.21043
-9.1574 152.34E-6						
1 Displacement Grid 1	28.25000	21.50000	-3.50000	-0.59057	-3.7250	-0.016160
-3.1728 56.974E-6						
1 Displacement Grid 1	29.25000	21.50000	-3.50000	-0.29688	-3.7250	-0.0039807

-1.6491	29.940E-6						
1 Displacement Grid 1		30.25000	21.50000	-3.50000	-0.13305	-3.7250	-0.0014758
-0.99885	18.203E-6						
1 Displacement Grid 1		31.25000	21.50000	-3.50000	-0.03686	-3.7250	-673.23E-6
-0.65866	12.026E-6						
1 Displacement Grid 1		32.25000	21.50000	-3.50000	0.01967	-3.7250	-348.66E-6
-0.45948	8.3981E-6						
1 Displacement Grid 1		33.25000	21.50000	-3.50000	0.05194	-3.7250	-196.98E-6
-0.33400	6.1087E-6						
1 Displacement Grid 1		34.25000	21.50000	-3.50000	0.06913	-3.7250	-118.68E-6
-0.25065	4.5864E-6						
1 Displacement Grid 1		35.25000	21.50000	-3.50000	0.07697	-3.7250	-75.166E-6
-0.19300	3.5327E-6						
1 Displacement Grid 1		36.25000	21.50000	-3.50000	0.07905	-3.7250	-49.568E-6
-0.15181	2.7795E-6						
1 Displacement Grid 1		37.25000	21.50000	-3.50000	0.07770	-3.7250	-33.798E-6
-0.12157	2.2264E-6						
1 Displacement Grid 1		38.25000	21.50000	-3.50000	0.07436	-3.7250	-23.704E-6
-0.098878	1.8110E-6						
1 Displacement Grid 1		39.25000	21.50000	-3.50000	0.06999	-3.7250	-17.032E-6
-0.081502	1.4930E-6						
1 Displacement Grid 1		40.25000	21.50000	-3.50000	0.06516	-3.7250	-12.498E-6
-0.067975	1.2453E-6						
1 Displacement Grid 1		41.25000	21.50000	-3.50000	0.06023	-3.7250	-9.3416E-6
-0.057284	1.0495E-6						
1 Displacement Grid 1		42.25000	21.50000	-3.50000	0.05542	-3.7250	-7.0973E-6
-0.048725	892.76E-9						
1 Displacement Grid 1		43.25000	21.50000	-3.50000	0.05085	-3.7250	-5.4713E-6
-0.041790	765.74E-9						
1 Displacement Grid 1		44.25000	21.50000	-3.50000	0.04658	-3.7250	-4.2734E-6
-0.036111	661.72E-9						
1 Displacement Grid 1		45.25000	21.50000	-3.50000	0.04264	-3.7250	-3.3773E-6
-0.031417	575.73E-9						
1 Displacement Grid 1		46.25000	21.50000	-3.50000	0.03903	-3.7250	-2.6979E-6
-0.027503	504.02E-9						
1 Displacement Grid 1		0.25000	22.50000	-3.50000	0.04008	-3.7250	-2.8813E-6
-0.028604	524.20E-9						
1 Displacement Grid 1		1.25000	22.50000	-3.50000	0.04381	-3.7250	-3.6215E-6
-0.032754	600.22E-9						
1 Displacement Grid 1		2.25000	22.50000	-3.50000	0.04787	-3.7250	-4.6031E-6
-0.037749	691.72E-9						
1 Displacement Grid 1		3.25000	22.50000	-3.50000	0.05227	-3.7250	-5.9238E-6
-0.043818	802.89E-9						
1 Displacement Grid 1		4.25000	22.50000	-3.50000	0.05695	-3.7250	-7.7292E-6
-0.051266	939.30E-9						
1 Displacement Grid 1		5.25000	22.50000	-3.50000	0.06186	-3.7250	-10.241E-6
-0.060510	1.1086E-6						
1 Displacement Grid 1		6.25000	22.50000	-3.50000	0.06683	-3.7250	-13.807E-6
-0.072129	1.3214E-6						
1 Displacement Grid 1		7.25000	22.50000	-3.50000	0.07160	-3.7250	-18.985E-6
-0.086942	1.5925E-6						
1 Displacement Grid 1		8.25000	22.50000	-3.50000	0.07574	-3.7250	-26.699E-6
-0.10613	1.9438E-6						
1 Displacement Grid 1		9.25000	22.50000	-3.50000	0.07855	-3.7250	-38.543E-6
-0.13146	2.4072E-6						
1 Displacement Grid 1		10.25000	22.50000	-3.50000	0.07888	-3.7250	-57.372E-6
-0.16560	3.0318E-6						
1 Displacement Grid 1		11.25000	22.50000	-3.50000	0.07492	-3.7250	-88.575E-6
-0.21281	3.8950E-6						
1 Displacement Grid 1		12.25000	22.50000	-3.50000	0.06381	-3.7250	-142.95E-6
-0.28006	5.1239E-6						
1 Displacement Grid 1		13.25000	22.50000	-3.50000	0.04094	-3.7250	-243.81E-6
-0.37945	6.9386E-6						
1 Displacement Grid 1		14.25000	22.50000	-3.50000	-0.00109	-3.7250	-446.44E-6
-0.53321	9.7425E-6						
1 Displacement Grid 1		15.25000	22.50000	-3.50000	-0.07456	-3.7250	-899.46E-6
-0.78572	14.338E-6						
1 Displacement Grid 1		16.25000	22.50000	-3.50000	-0.20076	-3.7250	-0.0020784
-1.2359	22.505E-6						
1 Displacement Grid 1		17.25000	22.50000	-3.50000	-0.42018	-3.7250	-0.0059643
-2.1433	38.852E-6						

1 Displacement Grid 1	18.25000	22.50000	-3.50000	-0.82696	-3.7250	-0.025618
-4.4011 78.794E-6						
1 Displacement Grid 1	19.25000	22.50000	-3.50000	-1.75226	-3.7250	-0.32149
-13.565 224.94E-6						
1 Displacement Grid 1	20.25000	22.50000	-3.50000	-5.52550	-3.6800	-59.992
-147.63 -0.0017262						
1 Displacement Grid 1	21.25000	22.50000	-3.50000	-7.16345	-3.6800	-62.957
-175.85 -0.0014278						
1 Displacement Grid 1	22.25000	22.50000	-3.50000	-7.64705	-3.6800	-62.987
-178.86 -0.0013750						
1 Displacement Grid 1	23.25000	22.50000	-3.50000	-7.73497	-3.6800	-62.989
-179.25 -0.0013679						
1 Displacement Grid 1	24.25000	22.50000	-3.50000	-7.51929	-3.6800	-62.980
-178.06 -0.0013891						
1 Displacement Grid 1	25.25000	22.50000	-3.50000	-6.91431	-3.6800	-62.934
-174.08 -0.0014586						
1 Displacement Grid 1	26.25000	22.50000	-3.50000	-5.26861	-3.6800	-59.971
-145.89 -0.0017566						
1 Displacement Grid 1	27.25000	22.50000	-3.50000	-1.58625	-3.7250	-0.30869
-12.472 205.85E-6						
1 Displacement Grid 1	28.25000	22.50000	-3.50000	-0.73333	-3.7250	-0.022706
-3.9420 70.593E-6						
1 Displacement Grid 1	29.25000	22.50000	-3.50000	-0.36668	-3.7250	-0.0051683
-1.9332 35.060E-6						
1 Displacement Grid 1	30.25000	22.50000	-3.50000	-0.16962	-3.7250	-0.0018100
-1.1284 20.554E-6						
1 Displacement Grid 1	31.25000	22.50000	-3.50000	-0.05639	-3.7250	-792.66E-6
-0.72533 13.239E-6						
1 Displacement Grid 1	32.25000	22.50000	-3.50000	0.00934	-3.7250	-398.26E-6
-0.49672 9.0771E-6						
1 Displacement Grid 1	33.25000	22.50000	-3.50000	0.04668	-3.7250	-219.87E-6
-0.35610 6.5123E-6						
1 Displacement Grid 1	34.25000	22.50000	-3.50000	0.06668	-3.7250	-130.12E-6
-0.26442 4.8381E-6						
1 Displacement Grid 1	35.25000	22.50000	-3.50000	0.07606	-3.7250	-81.259E-6
-0.20193 3.6961E-6						
1 Displacement Grid 1	36.25000	22.50000	-3.50000	0.07898	-3.7250	-52.987E-6
-0.15780 2.8891E-6						
1 Displacement Grid 1	37.25000	22.50000	-3.50000	0.07805	-3.7250	-35.803E-6
-0.12571 2.3021E-6						
1 Displacement Grid 1	38.25000	22.50000	-3.50000	0.07491	-3.7250	-24.925E-6
-0.10181 1.8646E-6						
1 Displacement Grid 1	39.25000	22.50000	-3.50000	0.07061	-3.7250	-17.801E-6
-0.083623 1.5318E-6						
1 Displacement Grid 1	40.25000	22.50000	-3.50000	0.06578	-3.7250	-12.996E-6
-0.069540 1.2739E-6						
1 Displacement Grid 1	41.25000	22.50000	-3.50000	0.06082	-3.7250	-9.6725E-6
-0.058459 1.0710E-6						
1 Displacement Grid 1	42.25000	22.50000	-3.50000	0.05596	-3.7250	-7.3222E-6
-0.049621 909.17E-9						
1 Displacement Grid 1	43.25000	22.50000	-3.50000	0.05133	-3.7250	-5.6273E-6
-0.042482 778.42E-9						
1 Displacement Grid 1	44.25000	22.50000	-3.50000	0.04701	-3.7250	-4.3836E-6
-0.036653 671.65E-9						
1 Displacement Grid 1	45.25000	22.50000	-3.50000	0.04301	-3.7250	-3.4565E-6
-0.031846 583.60E-9						
1 Displacement Grid 1	46.25000	22.50000	-3.50000	0.03936	-3.7250	-2.7556E-6
-0.027846 510.31E-9						
1 Displacement Grid 1	0.25000	23.50000	-3.50000	0.04025	-3.7250	-2.9103E-6
-0.028780 527.41E-9						
1 Displacement Grid 1	1.25000	23.50000	-3.50000	0.04400	-3.7250	-3.6612E-6
-0.032973 604.23E-9						
1 Displacement Grid 1	2.25000	23.50000	-3.50000	0.04810	-3.7250	-4.6583E-6
-0.038025 696.78E-9						
1 Displacement Grid 1	3.25000	23.50000	-3.50000	0.05252	-3.7250	-6.0018E-6
-0.044170 809.34E-9						
1 Displacement Grid 1	4.25000	23.50000	-3.50000	0.05723	-3.7250	-7.8414E-6
-0.051721 947.64E-9						
1 Displacement Grid 1	5.25000	23.50000	-3.50000	0.06216	-3.7250	-10.406E-6
-0.061106 1.1195E-6						
1 Displacement Grid 1	6.25000	23.50000	-3.50000	0.06715	-3.7250	-14.054E-6

-0.072921	1.3359E-6						
1 Displacement	Grid 1	7.25000	23.50000	-3.50000	0.07193	-3.7250	-19.365E-6
-0.088013	1.6121E-6						
1 Displacement	Grid 1	8.25000	23.50000	-3.50000	0.07605	-3.7250	-27.301E-6
-0.10761	1.9708E-6						
1 Displacement	Grid 1	9.25000	23.50000	-3.50000	0.07876	-3.7250	-39.525E-6
-0.13354	2.4452E-6						
1 Displacement	Grid 1	10.25000	23.50000	-3.50000	0.07889	-3.7250	-59.034E-6
-0.16860	3.0866E-6						
1 Displacement	Grid 1	11.25000	23.50000	-3.50000	0.07454	-3.7250	-91.505E-6
-0.21725	3.9762E-6						
1 Displacement	Grid 1	12.25000	23.50000	-3.50000	0.06268	-3.7250	-148.36E-6
-0.28685	5.2480E-6						
1 Displacement	Grid 1	13.25000	23.50000	-3.50000	0.03849	-3.7250	-254.32E-6
-0.39020	7.1349E-6						
1 Displacement	Grid 1	14.25000	23.50000	-3.50000	-0.00591	-3.7250	-468.13E-6
-0.55091	10.065E-6						
1 Displacement	Grid 1	15.25000	23.50000	-3.50000	-0.08353	-3.7250	-947.15E-6
-0.81614	14.893E-6						
1 Displacement	Grid 1	16.25000	23.50000	-3.50000	-0.21698	-3.7250	-0.0021904
-1.2904	23.496E-6						
1 Displacement	Grid 1	17.25000	23.50000	-3.50000	-0.44880	-3.7250	-0.0062422
-2.2446	40.690E-6						
1 Displacement	Grid 1	18.25000	23.50000	-3.50000	-0.87598	-3.7250	-0.026320
-4.5917	82.237E-6						
1 Displacement	Grid 1	19.25000	23.50000	-3.50000	-1.83167	-3.7250	-0.32313
-13.909	231.11E-6						
1 Displacement	Grid 1	20.25000	23.50000	-3.50000	-5.64262	-3.6800	-59.994
-148.07	-0.0017183						
1 Displacement	Grid 1	21.25000	23.50000	-3.50000	-7.31640	-3.6800	-62.959
-176.44	-0.0014171						
1 Displacement	Grid 1	22.25000	23.50000	-3.50000	-7.82927	-3.6800	-62.990
-179.58	-0.0013620						
1 Displacement	Grid 1	23.25000	23.50000	-3.50000	-7.94609	-3.6800	-62.993
-180.13	-0.0013521						
1 Displacement	Grid 1	24.25000	23.50000	-3.50000	-7.77622	-3.6800	-62.989
-179.34	-0.0013663						
1 Displacement	Grid 1	25.25000	23.50000	-3.50000	-7.22391	-3.6800	-62.957
-176.03	-0.0014246						
1 Displacement	Grid 1	26.25000	23.50000	-3.50000	-5.54114	-3.6800	-59.991
-147.63	-0.0017262						
1 Displacement	Grid 1	27.25000	23.50000	-3.50000	-1.74865	-3.7250	-0.32081
-13.513	224.03E-6						
1 Displacement	Grid 1	28.25000	23.50000	-3.50000	-0.81800	-3.7250	-0.025334
-4.3554	77.977E-6						
1 Displacement	Grid 1	29.25000	23.50000	-3.50000	-0.41112	-3.7250	-0.0058479
-2.1096	38.244E-6						
1 Displacement	Grid 1	30.25000	23.50000	-3.50000	-0.19334	-3.7250	-0.0020245
-1.2115	22.062E-6						
1 Displacement	Grid 1	31.25000	23.50000	-3.50000	-0.06912	-3.7250	-871.69E-6
-0.76800	14.016E-6						
1 Displacement	Grid 1	32.25000	23.50000	-3.50000	0.00258	-3.7250	-431.03E-6
-0.52022	9.5056E-6						
1 Displacement	Grid 1	33.25000	23.50000	-3.50000	0.04319	-3.7250	-234.79E-6
-0.36983	6.7628E-6						
1 Displacement	Grid 1	34.25000	23.50000	-3.50000	0.06501	-3.7250	-137.45E-6
-0.27284	4.9920E-6						
1 Displacement	Grid 1	35.25000	23.50000	-3.50000	0.07538	-3.7250	-85.103E-6
-0.20732	3.7946E-6						
1 Displacement	Grid 1	36.25000	23.50000	-3.50000	0.07884	-3.7250	-55.112E-6
-0.16137	2.9544E-6						
1 Displacement	Grid 1	37.25000	23.50000	-3.50000	0.07819	-3.7250	-37.033E-6
-0.12815	2.3467E-6						
1 Displacement	Grid 1	38.25000	23.50000	-3.50000	0.07519	-3.7250	-25.666E-6
-0.10352	1.8960E-6						
1 Displacement	Grid 1	39.25000	23.50000	-3.50000	0.07093	-3.7250	-18.262E-6
-0.084853	1.5543E-6						
1 Displacement	Grid 1	40.25000	23.50000	-3.50000	0.06611	-3.7250	-13.292E-6
-0.070441	1.2904E-6						
1 Displacement	Grid 1	41.25000	23.50000	-3.50000	0.06113	-3.7250	-9.8676E-6
-0.059132	1.0834E-6						

1 Displacement Grid 1	42.25000	23.50000	-3.50000	0.05625	-3.7250	-7.4539E-6
-0.050131 918.51E-9						
1 Displacement Grid 1	43.25000	23.50000	-3.50000	0.05159	-3.7250	-5.7180E-6
-0.042875 785.61E-9						
1 Displacement Grid 1	44.25000	23.50000	-3.50000	0.04724	-3.7250	-4.4473E-6
-0.036959 677.26E-9						
1 Displacement Grid 1	45.25000	23.50000	-3.50000	0.04322	-3.7250	-3.5020E-6
-0.032088 588.02E-9						
1 Displacement Grid 1	46.25000	23.50000	-3.50000	0.03954	-3.7250	-2.7887E-6
-0.028039 513.84E-9						
1 Displacement Grid 1	0.25000	24.50000	-3.50000	0.04027	-3.7250	-2.9119E-6
-0.028792 527.64E-9						
1 Displacement Grid 1	1.25000	24.50000	-3.50000	0.04402	-3.7250	-3.6633E-6
-0.032988 604.51E-9						
1 Displacement Grid 1	2.25000	24.50000	-3.50000	0.04811	-3.7250	-4.6612E-6
-0.038044 697.13E-9						
1 Displacement Grid 1	3.25000	24.50000	-3.50000	0.05254	-3.7250	-6.0057E-6
-0.044194 809.77E-9						
1 Displacement Grid 1	4.25000	24.50000	-3.50000	0.05726	-3.7250	-7.8467E-6
-0.051750 948.18E-9						
1 Displacement Grid 1	5.25000	24.50000	-3.50000	0.06219	-3.7250	-10.413E-6
-0.061143 1.1202E-6						
1 Displacement Grid 1	6.25000	24.50000	-3.50000	0.06719	-3.7250	-14.065E-6
-0.072969 1.3367E-6						
1 Displacement Grid 1	7.25000	24.50000	-3.50000	0.07197	-3.7250	-19.380E-6
-0.088074 1.6133E-6						
1 Displacement Grid 1	8.25000	24.50000	-3.50000	0.07609	-3.7250	-27.323E-6
-0.10769 1.9723E-6						
1 Displacement Grid 1	9.25000	24.50000	-3.50000	0.07881	-3.7250	-39.557E-6
-0.13364 2.4472E-6						
1 Displacement Grid 1	10.25000	24.50000	-3.50000	0.07893	-3.7250	-59.083E-6
-0.16874 3.0893E-6						
1 Displacement Grid 1	11.25000	24.50000	-3.50000	0.07458	-3.7250	-91.581E-6
-0.21745 3.9798E-6						
1 Displacement Grid 1	12.25000	24.50000	-3.50000	0.06272	-3.7250	-148.48E-6
-0.28713 5.2531E-6						
1 Displacement Grid 1	13.25000	24.50000	-3.50000	0.03849	-3.7250	-254.53E-6
-0.39060 7.1422E-6						
1 Displacement Grid 1	14.25000	24.50000	-3.50000	-0.00595	-3.7250	-468.48E-6
-0.55150 10.076E-6						
1 Displacement Grid 1	15.25000	24.50000	-3.50000	-0.08368	-3.7250	-947.80E-6
-0.81704 14.909E-6						
1 Displacement Grid 1	16.25000	24.50000	-3.50000	-0.21731	-3.7250	-0.0021916
-1.2919 23.522E-6						
1 Displacement Grid 1	17.25000	24.50000	-3.50000	-0.44945	-3.7250	-0.0062446
-2.2469 40.733E-6						
1 Displacement Grid 1	18.25000	24.50000	-3.50000	-0.87721	-3.7250	-0.026325
-4.5957 82.310E-6						
1 Displacement Grid 1	19.25000	24.50000	-3.50000	-1.83397	-3.7250	-0.32314
-13.916 231.25E-6						
1 Displacement Grid 1	20.25000	24.50000	-3.50000	-5.64686	-3.6800	-59.994
-148.08 -0.0017181						
1 Displacement Grid 1	21.25000	24.50000	-3.50000	-7.32423	-3.6800	-62.959
-176.47 -0.0014167						
1 Displacement Grid 1	22.25000	24.50000	-3.50000	-7.84370	-3.6800	-62.990
-179.62 -0.0013612						
1 Displacement Grid 1	23.25000	24.50000	-3.50000	-7.97210	-3.6800	-62.993
-180.23 -0.0013503						
1 Displacement Grid 1	24.25000	24.50000	-3.50000	-7.81933	-3.6800	-62.990
-179.54 -0.0013627						
1 Displacement Grid 1	25.25000	24.50000	-3.50000	-7.28212	-3.6800	-62.958
-176.32 -0.0014193						
1 Displacement Grid 1	26.25000	24.50000	-3.50000	-5.59837	-3.6800	-59.993
-147.92 -0.0017210						
1 Displacement Grid 1	27.25000	24.50000	-3.50000	-1.78979	-3.7250	-0.32254
-13.746 228.18E-6						
1 Displacement Grid 1	28.25000	24.50000	-3.50000	-0.84251	-3.7250	-0.025972
-4.4726 80.079E-6						
1 Displacement Grid 1	29.25000	24.50000	-3.50000	-0.42467	-3.7250	-0.0060599
-2.1641 39.227E-6						
1 Displacement Grid 1	30.25000	24.50000	-3.50000	-0.20069	-3.7250	-0.0020973

-1.2373	22.528E-6						
1 Displacement Grid 1	31.25000	24.50000	-3.50000	-0.07310	-3.7250	-898.69E-6	
-0.78079	14.248E-6						
1 Displacement Grid 1	32.25000	24.50000	-3.50000	0.00042	-3.7250	-441.95E-6	
-0.52696	9.6283E-6						
1 Displacement Grid 1	33.25000	24.50000	-3.50000	0.04204	-3.7250	-239.58E-6	
-0.37358	6.8314E-6						
1 Displacement Grid 1	34.25000	24.50000	-3.50000	0.06440	-3.7250	-139.71E-6	
-0.27505	5.0322E-6						
1 Displacement Grid 1	35.25000	24.50000	-3.50000	0.07509	-3.7250	-86.239E-6	
-0.20867	3.8192E-6						
1 Displacement Grid 1	36.25000	24.50000	-3.50000	0.07871	-3.7250	-55.715E-6	
-0.16223	2.9701E-6						
1 Displacement Grid 1	37.25000	24.50000	-3.50000	0.07815	-3.7250	-37.369E-6	
-0.12872	2.3571E-6						
1 Displacement Grid 1	38.25000	24.50000	-3.50000	0.07520	-3.7250	-25.861E-6	
-0.10391	1.9030E-6						
1 Displacement Grid 1	39.25000	24.50000	-3.50000	0.07097	-3.7250	-18.380E-6	
-0.085122	1.5592E-6						
1 Displacement Grid 1	40.25000	24.50000	-3.50000	0.06616	-3.7250	-13.365E-6	
-0.070633	1.2939E-6						
1 Displacement Grid 1	41.25000	24.50000	-3.50000	0.06118	-3.7250	-9.9145E-6	
-0.059272	1.0859E-6						
1 Displacement Grid 1	42.25000	24.50000	-3.50000	0.05629	-3.7250	-7.4847E-6	
-0.050234	920.41E-9						
1 Displacement Grid 1	43.25000	24.50000	-3.50000	0.05163	-3.7250	-5.7388E-6	
-0.042953	787.04E-9						
1 Displacement Grid 1	44.25000	24.50000	-3.50000	0.04728	-3.7250	-4.4615E-6	
-0.037019	678.35E-9						
1 Displacement Grid 1	45.25000	24.50000	-3.50000	0.04325	-3.7250	-3.5120E-6	
-0.032134	588.87E-9						
1 Displacement Grid 1	46.25000	24.50000	-3.50000	0.03957	-3.7250	-2.7958E-6	
-0.028075	514.51E-9						
1 Displacement Grid 1	0.25000	25.50000	-3.50000	0.04013	-3.7250	-2.8861E-6	
-0.028642	524.89E-9						
1 Displacement Grid 1	1.25000	25.50000	-3.50000	0.04386	-3.7250	-3.6279E-6	
-0.032800	601.06E-9						
1 Displacement Grid 1	2.25000	25.50000	-3.50000	0.04793	-3.7250	-4.6116E-6	
-0.037806	692.76E-9						
1 Displacement Grid 1	3.25000	25.50000	-3.50000	0.05233	-3.7250	-5.9353E-6	
-0.043888	804.17E-9						
1 Displacement Grid 1	4.25000	25.50000	-3.50000	0.05703	-3.7250	-7.7448E-6	
-0.051353	940.91E-9						
1 Displacement Grid 1	5.25000	25.50000	-3.50000	0.06194	-3.7250	-10.263E-6	
-0.060620	1.1106E-6						
1 Displacement Grid 1	6.25000	25.50000	-3.50000	0.06693	-3.7250	-13.838E-6	
-0.072270	1.3239E-6						
1 Displacement Grid 1	7.25000	25.50000	-3.50000	0.07171	-3.7250	-19.028E-6	
-0.087123	1.5959E-6						
1 Displacement Grid 1	8.25000	25.50000	-3.50000	0.07587	-3.7250	-26.763E-6	
-0.10637	1.9481E-6						
1 Displacement Grid 1	9.25000	25.50000	-3.50000	0.07868	-3.7250	-38.637E-6	
-0.13177	2.4130E-6						
1 Displacement Grid 1	10.25000	25.50000	-3.50000	0.07902	-3.7250	-57.515E-6	
-0.16603	3.0396E-6						
1 Displacement Grid 1	11.25000	25.50000	-3.50000	0.07505	-3.7250	-88.799E-6	
-0.21339	3.9056E-6						
1 Displacement Grid 1	12.25000	25.50000	-3.50000	0.06390	-3.7250	-143.31E-6	
-0.28088	5.1389E-6						
1 Displacement Grid 1	13.25000	25.50000	-3.50000	0.04097	-3.7250	-244.41E-6	
-0.38062	6.9600E-6						
1 Displacement Grid 1	14.25000	25.50000	-3.50000	-0.00121	-3.7250	-447.47E-6	
-0.53493	9.7740E-6						
1 Displacement Grid 1	15.25000	25.50000	-3.50000	-0.07496	-3.7250	-901.31E-6	
-0.78834	14.386E-6						
1 Displacement Grid 1	16.25000	25.50000	-3.50000	-0.20168	-3.7250	-0.0020819	
-1.2400	22.580E-6						
1 Displacement Grid 1	17.25000	25.50000	-3.50000	-0.42201	-3.7250	-0.0059713	
-2.1499	38.974E-6						
1 Displacement Grid 1	18.25000	25.50000	-3.50000	-0.83045	-3.7250	-0.025633	
-4.4125	79.002E-6						

1 Displacement Grid 1	19.25000	25.50000	-3.50000	-1.75877	-3.7250	-0.32152
-13.586 225.31E-6						
1 Displacement Grid 1	20.25000	25.50000	-3.50000	-5.53756	-3.6800	-59.992
-147.66 -0.0017257						
1 Displacement Grid 1	21.25000	25.50000	-3.50000	-7.18592	-3.6800	-62.957
-175.92 -0.0014267						
1 Displacement Grid 1	22.25000	25.50000	-3.50000	-7.68956	-3.6800	-62.988
-179.00 -0.0013724						
1 Displacement Grid 1	23.25000	25.50000	-3.50000	-7.81720	-3.6800	-62.991
-179.61 -0.0013615						
1 Displacement Grid 1	24.25000	25.50000	-3.50000	-7.67760	-3.6800	-62.988
-178.97 -0.0013730						
1 Displacement Grid 1	25.25000	25.50000	-3.50000	-7.16501	-3.6800	-62.957
-175.86 -0.0014277						
1 Displacement Grid 1	26.25000	25.50000	-3.50000	-5.51258	-3.6800	-59.992
-147.59 -0.0017269						
1 Displacement Grid 1	27.25000	25.50000	-3.50000	-1.73455	-3.7250	-0.32132
-13.504 223.83E-6						
1 Displacement Grid 1	28.25000	25.50000	-3.50000	-0.81002	-3.7250	-0.025493
-4.3455 77.784E-6						
1 Displacement Grid 1	29.25000	25.50000	-3.50000	-0.40643	-3.7250	-0.0058837
-2.0993 38.052E-6						
1 Displacement Grid 1	30.25000	25.50000	-3.50000	-0.19068	-3.7250	-0.0020298
-1.2032 21.909E-6						
1 Displacement Grid 1	31.25000	25.50000	-3.50000	-0.06771	-3.7250	-870.76E-6
-0.76195 13.905E-6						
1 Displacement Grid 1	32.25000	25.50000	-3.50000	0.00322	-3.7250	-429.39E-6
-0.51598 9.4278E-6						
1 Displacement Grid 1	33.25000	25.50000	-3.50000	0.04339	-3.7250	-233.49E-6
-0.36687 6.7086E-6						
1 Displacement Grid 1	34.25000	25.50000	-3.50000	0.06497	-3.7250	-136.56E-6
-0.27076 4.9539E-6						
1 Displacement Grid 1	35.25000	25.50000	-3.50000	0.07522	-3.7250	-84.510E-6
-0.20584 3.7675E-6						
1 Displacement Grid 1	36.25000	25.50000	-3.50000	0.07861	-3.7250	-54.722E-6
-0.16030 2.9348E-6						
1 Displacement Grid 1	37.25000	25.50000	-3.50000	0.07795	-3.7250	-36.774E-6
-0.12737 2.3324E-6						
1 Displacement Grid 1	38.25000	25.50000	-3.50000	0.07495	-3.7250	-25.492E-6
-0.10294 1.8853E-6						
1 Displacement Grid 1	39.25000	25.50000	-3.50000	0.07071	-3.7250	-18.144E-6
-0.084413 1.5462E-6						
1 Displacement Grid 1	40.25000	25.50000	-3.50000	0.06591	-3.7250	-13.210E-6
-0.070104 1.2843E-6						
1 Displacement Grid 1	41.25000	25.50000	-3.50000	0.06095	-3.7250	-9.8101E-6
-0.058871 1.0786E-6						
1 Displacement Grid 1	42.25000	25.50000	-3.50000	0.05609	-3.7250	-7.4129E-6
-0.049926 914.77E-9						
1 Displacement Grid 1	43.25000	25.50000	-3.50000	0.05145	-3.7250	-5.6884E-6
-0.042713 782.65E-9						
1 Displacement Grid 1	44.25000	25.50000	-3.50000	0.04712	-3.7250	-4.4256E-6
-0.036830 674.89E-9						
1 Displacement Grid 1	45.25000	25.50000	-3.50000	0.04311	-3.7250	-3.4859E-6
-0.031984 586.11E-9						
1 Displacement Grid 1	46.25000	25.50000	-3.50000	0.03944	-3.7250	-2.7766E-6
-0.027954 512.28E-9						
1 Displacement Grid 1	0.25000	26.50000	-3.50000	0.03984	-3.7250	-2.8339E-6
-0.028333 519.23E-9						
1 Displacement Grid 1	1.25000	26.50000	-3.50000	0.04353	-3.7250	-3.5562E-6
-0.032413 593.98E-9						
1 Displacement Grid 1	2.25000	26.50000	-3.50000	0.04755	-3.7250	-4.5119E-6
-0.037317 683.82E-9						
1 Displacement Grid 1	3.25000	26.50000	-3.50000	0.05191	-3.7250	-5.7941E-6
-0.043264 792.74E-9						
1 Displacement Grid 1	4.25000	26.50000	-3.50000	0.05655	-3.7250	-7.5413E-6
-0.050546 926.11E-9						
1 Displacement Grid 1	5.25000	26.50000	-3.50000	0.06142	-3.7250	-9.9637E-6
-0.059561 1.0912E-6						
1 Displacement Grid 1	6.25000	26.50000	-3.50000	0.06637	-3.7250	-13.388E-6
-0.070859 1.2981E-6						
1 Displacement Grid 1	7.25000	26.50000	-3.50000	0.07116	-3.7250	-18.336E-6

-0.085212	1.5609E-6						
1 Displacement	Grid 1	8.25000	26.50000	-3.50000	0.07538	-3.7250	-25.666E-6
-0.10373	1.8998E-6						
1 Displacement	Grid 1	9.25000	26.50000	-3.50000	0.07837	-3.7250	-36.845E-6
-0.12805	2.3449E-6						
1 Displacement	Grid 1	10.25000	26.50000	-3.50000	0.07909	-3.7250	-54.480E-6
-0.16065	2.9413E-6						
1 Displacement	Grid 1	11.25000	26.50000	-3.50000	0.07586	-3.7250	-83.443E-6
-0.20541	3.7597E-6						
1 Displacement	Grid 1	12.25000	26.50000	-3.50000	0.06607	-3.7250	-133.40E-6
-0.26866	4.9156E-6						
1 Displacement	Grid 1	13.25000	26.50000	-3.50000	0.04557	-3.7250	-225.01E-6
-0.36121	6.6056E-6						
1 Displacement	Grid 1	14.25000	26.50000	-3.50000	0.00773	-3.7250	-406.91E-6
-0.50280	9.1879E-6						
1 Displacement	Grid 1	15.25000	26.50000	-3.50000	-0.05835	-3.7250	-809.34E-6
-0.73246	13.369E-6						
1 Displacement	Grid 1	16.25000	26.50000	-3.50000	-0.17144	-3.7250	-0.0018514
-1.1371	20.710E-6						
1 Displacement	Grid 1	17.25000	26.50000	-3.50000	-0.36738	-3.7250	-0.0053156
-1.9472	35.307E-6						
1 Displacement	Grid 1	18.25000	26.50000	-3.50000	-0.73183	-3.7250	-0.023475
-3.9840	71.305E-6						
1 Displacement	Grid 1	19.25000	26.50000	-3.50000	-1.58345	-3.7250	-0.31384
-12.649	208.71E-6						
1 Displacement	Grid 1	20.25000	26.50000	-3.50000	-5.25435	-3.6800	-59.981
-146.23	-0.0017511						
1 Displacement	Grid 1	21.25000	26.50000	-3.50000	-6.81155	-3.6800	-62.941
-173.93	-0.0014619						
1 Displacement	Grid 1	22.25000	26.50000	-3.50000	-7.26726	-3.6800	-62.971
-176.77	-0.0014120						
1 Displacement	Grid 1	23.25000	26.50000	-3.50000	-7.38274	-3.6800	-62.974
-177.32	-0.0014022						
1 Displacement	Grid 1	24.25000	26.50000	-3.50000	-7.26116	-3.6800	-62.971
-176.76	-0.0014123						
1 Displacement	Grid 1	25.25000	26.50000	-3.50000	-6.80073	-3.6800	-62.941
-173.90	-0.0014624						
1 Displacement	Grid 1	26.25000	26.50000	-3.50000	-5.24106	-3.6800	-59.981
-146.19	-0.0017517						
1 Displacement	Grid 1	27.25000	26.50000	-3.50000	-1.57004	-3.7250	-0.31376
-12.606	207.93E-6						
1 Displacement	Grid 1	28.25000	26.50000	-3.50000	-0.71998	-3.7250	-0.023414
-3.9458	70.609E-6						
1 Displacement	Grid 1	29.25000	26.50000	-3.50000	-0.35793	-3.7250	-0.0052726
-1.9158	34.734E-6						
1 Displacement	Grid 1	30.25000	26.50000	-3.50000	-0.16454	-3.7250	-0.0018226
-1.1124	20.259E-6						
1 Displacement	Grid 1	31.25000	26.50000	-3.50000	-0.05371	-3.7250	-790.70E-6
-0.71356	13.023E-6						
1 Displacement	Grid 1	32.25000	26.50000	-3.50000	0.01056	-3.7250	-394.93E-6
-0.48846	8.9260E-6						
1 Displacement	Grid 1	33.25000	26.50000	-3.50000	0.04704	-3.7250	-217.29E-6
-0.35035	6.4070E-6						
1 Displacement	Grid 1	34.25000	26.50000	-3.50000	0.06658	-3.7250	-128.36E-6
-0.26038	4.7642E-6						
1 Displacement	Grid 1	35.25000	26.50000	-3.50000	0.07572	-3.7250	-80.103E-6
-0.19905	3.6434E-6						
1 Displacement	Grid 1	36.25000	26.50000	-3.50000	0.07853	-3.7250	-52.228E-6
-0.15572	2.8510E-6						
1 Displacement	Grid 1	37.25000	26.50000	-3.50000	0.07756	-3.7250	-35.300E-6
-0.12418	2.2741E-6						
1 Displacement	Grid 1	38.25000	26.50000	-3.50000	0.07444	-3.7250	-24.588E-6
-0.10067	1.8438E-6						
1 Displacement	Grid 1	39.25000	26.50000	-3.50000	0.07017	-3.7250	-17.570E-6
-0.082761	1.5160E-6						
1 Displacement	Grid 1	40.25000	26.50000	-3.50000	0.06538	-3.7250	-12.836E-6
-0.068879	1.2618E-6						
1 Displacement	Grid 1	41.25000	26.50000	-3.50000	0.06046	-3.7250	-9.5601E-6
-0.057947	1.0617E-6						
1 Displacement	Grid 1	42.25000	26.50000	-3.50000	0.05564	-3.7250	-7.2420E-6
-0.049218	901.80E-9						



1 Displacement Grid 1	43.25000	26.50000	-3.50000	0.05105	-3.7250	-5.5692E-6
-0.042163 772.58E-9						
1 Displacement Grid 1	44.25000	26.50000	-3.50000	0.04677	-3.7250	-4.3409E-6
-0.036398 666.98E-9						
1 Displacement Grid 1	45.25000	26.50000	-3.50000	0.04280	-3.7250	-3.4248E-6
-0.031640 579.82E-9						
1 Displacement Grid 1	46.25000	26.50000	-3.50000	0.03917	-3.7250	-2.7319E-6
-0.027678 507.24E-9						
1 Displacement Grid 1	0.25000	27.50000	-3.50000	0.03940	-3.7250	-2.7572E-6
-0.027874 510.81E-9						
1 Displacement Grid 1	1.25000	27.50000	-3.50000	0.04303	-3.7250	-3.4513E-6
-0.031840 583.48E-9						
1 Displacement Grid 1	2.25000	27.50000	-3.50000	0.04698	-3.7250	-4.3663E-6
-0.036595 670.58E-9						
1 Displacement Grid 1	3.25000	27.50000	-3.50000	0.05126	-3.7250	-5.5889E-6
-0.042343 775.88E-9						
1 Displacement Grid 1	4.25000	27.50000	-3.50000	0.05583	-3.7250	-7.2469E-6
-0.049359 904.37E-9						
1 Displacement Grid 1	5.25000	27.50000	-3.50000	0.06063	-3.7250	-9.5331E-6
-0.058009 1.0628E-6						
1 Displacement Grid 1	6.25000	27.50000	-3.50000	0.06553	-3.7250	-12.744E-6
-0.068801 1.2604E-6						
1 Displacement Grid 1	7.25000	27.50000	-3.50000	0.07031	-3.7250	-17.351E-6
-0.082438 1.5101E-6						
1 Displacement Grid 1	8.25000	27.50000	-3.50000	0.07461	-3.7250	-24.117E-6
-0.099923 1.8301E-6						
1 Displacement Grid 1	9.25000	27.50000	-3.50000	0.07783	-3.7250	-34.332E-6
-0.12272 2.2473E-6						
1 Displacement Grid 1	10.25000	27.50000	-3.50000	0.07906	-3.7250	-50.258E-6
-0.15300 2.8013E-6						
1 Displacement Grid 1	11.25000	27.50000	-3.50000	0.07682	-3.7250	-76.053E-6
-0.19414 3.5537E-6						
1 Displacement Grid 1	12.25000	27.50000	-3.50000	0.06887	-3.7250	-119.82E-6
-0.25154 4.6027E-6						
1 Displacement Grid 1	13.25000	27.50000	-3.50000	0.05168	-3.7250	-198.54E-6
-0.33424 6.1131E-6						
1 Displacement Grid 1	14.25000	27.50000	-3.50000	0.01971	-3.7250	-351.29E-6
-0.45839 8.3778E-6						
1 Displacement Grid 1	15.25000	27.50000	-3.50000	-0.03590	-3.7250	-680.37E-6
-0.65516 11.961E-6						
1 Displacement Grid 1	16.25000	27.50000	-3.50000	-0.13002	-3.7250	-0.0015070
-0.99218 18.079E-6						
1 Displacement Grid 1	17.25000	27.50000	-3.50000	-0.29015	-3.7250	-0.0041715
-1.6444 29.840E-6						
1 Displacement Grid 1	18.25000	27.50000	-3.50000	-0.58048	-3.7250	-0.017937
-3.2277 57.849E-6						
1 Displacement Grid 1	19.25000	27.50000	-3.50000	-1.24718	-3.7250	-0.25931
-10.042 164.95E-6						
1 Displacement Grid 1	20.25000	27.50000	-3.50000	-4.47730	-3.6800	-59.598
-137.53 -0.0018823						
1 Displacement Grid 1	21.25000	27.50000	-3.50000	-5.73145	-3.6800	-62.434
-161.70 -0.0016487						
1 Displacement Grid 1	22.25000	27.50000	-3.50000	-6.08650	-3.6800	-62.457
-163.88 -0.0016104						
1 Displacement Grid 1	23.25000	27.50000	-3.50000	-6.17806	-3.6800	-62.459
-164.30 -0.0016028						
1 Displacement Grid 1	24.25000	27.50000	-3.50000	-6.08333	-3.6800	-62.456
-163.87 -0.0016106						
1 Displacement Grid 1	25.25000	27.50000	-3.50000	-5.72576	-3.6800	-62.434
-161.68 -0.0016489						
1 Displacement Grid 1	26.25000	27.50000	-3.50000	-4.47017	-3.6800	-59.598
-137.51 -0.0018826						
1 Displacement Grid 1	27.25000	27.50000	-3.50000	-1.23979	-3.7250	-0.25928
-10.018 164.51E-6						
1 Displacement Grid 1	28.25000	27.50000	-3.50000	-0.57376	-3.7250	-0.017909
-3.2050 57.435E-6						
1 Displacement Grid 1	29.25000	27.50000	-3.50000	-0.28465	-3.7250	-0.0041494
-1.6245 29.476E-6						
1 Displacement Grid 1	30.25000	27.50000	-3.50000	-0.12593	-3.7250	-0.0014909
-0.97554 17.775E-6						
1 Displacement Grid 1	31.25000	27.50000	-3.50000	-0.03316	-3.7250	-669.02E-6

-0.64170	11.715E-6							
1 Displacement Grid 1	32.25000	27.50000	-3.50000	0.02131	-3.7250	-343.46E-6		
-0.44768	8.1820E-6							
1 Displacement Grid 1	33.25000	27.50000	-3.50000	0.05239	-3.7250	-193.17E-6		
-0.32578	5.9584E-6							
1 Displacement Grid 1	34.25000	27.50000	-3.50000	0.06893	-3.7250	-116.14E-6		
-0.24487	4.4808E-6							
1 Displacement Grid 1	35.25000	27.50000	-3.50000	0.07643	-3.7250	-73.509E-6		
-0.18887	3.4573E-6							
1 Displacement Grid 1	36.25000	27.50000	-3.50000	0.07837	-3.7250	-48.482E-6		
-0.14882	2.7247E-6							
1 Displacement Grid 1	37.25000	27.50000	-3.50000	0.07698	-3.7250	-33.078E-6		
-0.11937	2.1860E-6							
1 Displacement Grid 1	38.25000	27.50000	-3.50000	0.07366	-3.7250	-23.220E-6		
-0.097229	1.7808E-6							
1 Displacement Grid 1	39.25000	27.50000	-3.50000	0.06934	-3.7250	-16.701E-6		
-0.080252	1.4701E-6							
1 Displacement Grid 1	40.25000	27.50000	-3.50000	0.06457	-3.7250	-12.268E-6		
-0.067014	1.2277E-6							
1 Displacement Grid 1	41.25000	27.50000	-3.50000	0.05970	-3.7250	-9.1792E-6		
-0.056537	1.0358E-6							
1 Displacement Grid 1	42.25000	27.50000	-3.50000	0.05496	-3.7250	-6.9810E-6		
-0.048137	882.00E-9							
1 Displacement Grid 1	43.25000	27.50000	-3.50000	0.05044	-3.7250	-5.3869E-6		
-0.041323	757.19E-9							
1 Displacement Grid 1	44.25000	27.50000	-3.50000	0.04623	-3.7250	-4.2113E-6		
-0.035737	654.87E-9							
1 Displacement Grid 1	45.25000	27.50000	-3.50000	0.04233	-3.7250	-3.3312E-6		
-0.031114	570.18E-9							
1 Displacement Grid 1	46.25000	27.50000	-3.50000	0.03876	-3.7250	-2.6632E-6		
-0.027256	499.49E-9							
1 Displacement Grid 1	0.25000	28.50000	-3.50000	0.03882	-3.7250	-2.6589E-6		
-0.027276	499.86E-9							
1 Displacement Grid 1	1.25000	28.50000	-3.50000	0.04237	-3.7250	-3.3173E-6		
-0.031097	569.86E-9							
1 Displacement Grid 1	2.25000	28.50000	-3.50000	0.04623	-3.7250	-4.1812E-6		
-0.035661	653.47E-9							
1 Displacement Grid 1	3.25000	28.50000	-3.50000	0.05041	-3.7250	-5.3292E-6		
-0.041157	754.16E-9							
1 Displacement Grid 1	4.25000	28.50000	-3.50000	0.05488	-3.7250	-6.8764E-6		
-0.047836	876.48E-9							
1 Displacement Grid 1	5.25000	28.50000	-3.50000	0.05959	-3.7250	-8.9947E-6		
-0.056029	1.0265E-6							
1 Displacement Grid 1	6.25000	28.50000	-3.50000	0.06441	-3.7250	-11.946E-6		
-0.066189	1.2126E-6							
1 Displacement Grid 1	7.25000	28.50000	-3.50000	0.06917	-3.7250	-16.138E-6		
-0.078939	1.4460E-6							
1 Displacement Grid 1	8.25000	28.50000	-3.50000	0.07354	-3.7250	-22.227E-6		
-0.095154	1.7429E-6							
1 Displacement Grid 1	9.25000	28.50000	-3.50000	0.07702	-3.7250	-31.299E-6		
-0.11609	2.1260E-6							
1 Displacement Grid 1	10.25000	28.50000	-3.50000	0.07882	-3.7250	-45.220E-6		
-0.14359	2.6291E-6							
1 Displacement Grid 1	11.25000	28.50000	-3.50000	0.07772	-3.7250	-67.345E-6		
-0.18043	3.3029E-6							
1 Displacement Grid 1	12.25000	28.50000	-3.50000	0.07186	-3.7250	-104.02E-6		
-0.23095	4.2265E-6							
1 Displacement Grid 1	13.25000	28.50000	-3.50000	0.05844	-3.7250	-168.12E-6		
-0.30224	5.5286E-6							
1 Displacement Grid 1	14.25000	28.50000	-3.50000	0.03314	-3.7250	-288.00E-6		
-0.40640	7.4294E-6							
1 Displacement Grid 1	15.25000	28.50000	-3.50000	-0.01060	-3.7250	-533.72E-6		
-0.56572	10.332E-6							
1 Displacement Grid 1	16.25000	28.50000	-3.50000	-0.08319	-3.7250	-0.0011082		
-0.82525	15.048E-6							
1 Displacement Grid 1	17.25000	28.50000	-3.50000	-0.20195	-3.7250	-0.0027547		
-1.2898	23.443E-6							
1 Displacement Grid 1	18.25000	28.50000	-3.50000	-0.40041	-3.7250	-0.0094764		
-2.2630	40.788E-6							
1 Displacement Grid 1	19.25000	28.50000	-3.50000	-0.76289	-3.7250	-0.065500		
-5.0171	87.141E-6							

1 Displacement Grid 1	20.25000	28.50000	-3.50000	-1.41558	-3.7250	-0.71373
-14.194 207.49E-6						
1 Displacement Grid 1	21.25000	28.50000	-3.50000	-1.90484	-3.7250	-0.95254
-19.570 288.41E-6						
1 Displacement Grid 1	22.25000	28.50000	-3.50000	-2.11846	-3.7250	-0.96930
-20.957 312.59E-6						
1 Displacement Grid 1	23.25000	28.50000	-3.50000	-2.17955	-3.7250	-0.97150
-21.279 318.33E-6						
1 Displacement Grid 1	24.25000	28.50000	-3.50000	-2.11681	-3.7250	-0.96929
-20.952 312.49E-6						
1 Displacement Grid 1	25.25000	28.50000	-3.50000	-1.90185	-3.7250	-0.95252
-19.561 288.23E-6						
1 Displacement Grid 1	26.25000	28.50000	-3.50000	-1.41180	-3.7250	-0.71372
-14.181 207.26E-6						
1 Displacement Grid 1	27.25000	28.50000	-3.50000	-0.75890	-3.7250	-0.065484
-5.0030 86.882E-6						
1 Displacement Grid 1	28.25000	28.50000	-3.50000	-0.39673	-3.7250	-0.0094623
-2.2490 40.532E-6						
1 Displacement Grid 1	29.25000	28.50000	-3.50000	-0.19892	-3.7250	-0.0027429
-1.2769 23.206E-6						
1 Displacement Grid 1	30.25000	28.50000	-3.50000	-0.08095	-3.7250	-0.0010989
-0.81390 14.840E-6						
1 Displacement Grid 1	31.25000	28.50000	-3.50000	-0.00916	-3.7250	-526.76E-6
-0.55610 10.156E-6						
1 Displacement Grid 1	32.25000	28.50000	-3.50000	0.03388	-3.7250	-282.89E-6
-0.39842 7.2835E-6						
1 Displacement Grid 1	33.25000	28.50000	-3.50000	0.05860	-3.7250	-164.43E-6
-0.29571 5.4092E-6						
1 Displacement Grid 1	34.25000	28.50000	-3.50000	0.07160	-3.7250	-101.37E-6
-0.22564 4.1293E-6						
1 Displacement Grid 1	35.25000	28.50000	-3.50000	0.07714	-3.7250	-65.439E-6
-0.17611 3.2239E-6						
1 Displacement Grid 1	36.25000	28.50000	-3.50000	0.07805	-3.7250	-43.844E-6
-0.14008 2.5649E-6						
1 Displacement Grid 1	37.25000	28.50000	-3.50000	0.07614	-3.7250	-30.298E-6
-0.11323 2.0736E-6						
1 Displacement Grid 1	38.25000	28.50000	-3.50000	0.07260	-3.7250	-21.493E-6
-0.092812 1.7000E-6						
1 Displacement Grid 1	39.25000	28.50000	-3.50000	0.06822	-3.7250	-15.595E-6
-0.077011 1.4107E-6						
1 Displacement Grid 1	40.25000	28.50000	-3.50000	0.06349	-3.7250	-11.540E-6
-0.064592 1.1833E-6						
1 Displacement Grid 1	41.25000	28.50000	-3.50000	0.05870	-3.7250	-8.6887E-6
-0.054700 1.0022E-6						
1 Displacement Grid 1	42.25000	28.50000	-3.50000	0.05404	-3.7250	-6.6435E-6
-0.046722 856.09E-9						
1 Displacement Grid 1	43.25000	28.50000	-3.50000	0.04963	-3.7250	-5.1501E-6
-0.040220 736.98E-9						
1 Displacement Grid 1	44.25000	28.50000	-3.50000	0.04551	-3.7250	-4.0423E-6
-0.034867 638.92E-9						
1 Displacement Grid 1	45.25000	28.50000	-3.50000	0.04170	-3.7250	-3.2087E-6
-0.030420 557.47E-9						
1 Displacement Grid 1	46.25000	28.50000	-3.50000	0.03821	-3.7250	-2.5732E-6
-0.026697 489.26E-9						
1 Displacement Grid 1	0.25000	29.50000	-3.50000	0.03811	-3.7250	-2.5422E-6
-0.026555 486.66E-9						
1 Displacement Grid 1	1.25000	29.50000	-3.50000	0.04156	-3.7250	-3.1592E-6
-0.030203 553.49E-9						
1 Displacement Grid 1	2.25000	29.50000	-3.50000	0.04531	-3.7250	-3.9639E-6
-0.034543 632.99E-9						
1 Displacement Grid 1	3.25000	29.50000	-3.50000	0.04937	-3.7250	-5.0263E-6
-0.039744 728.28E-9						
1 Displacement Grid 1	4.25000	29.50000	-3.50000	0.05372	-3.7250	-6.4473E-6
-0.046030 843.41E-9						
1 Displacement Grid 1	5.25000	29.50000	-3.50000	0.05830	-3.7250	-8.3759E-6
-0.053694 983.78E-9						
1 Displacement Grid 1	6.25000	29.50000	-3.50000	0.06303	-3.7250	-11.036E-6
-0.063131 1.1566E-6						
1 Displacement Grid 1	7.25000	29.50000	-3.50000	0.06774	-3.7250	-14.771E-6
-0.074874 1.3716E-6						
1 Displacement Grid 1	8.25000	29.50000	-3.50000	0.07216	-3.7250	-20.121E-6

-0.089663	1.6423E-6						
1 Displacement	Grid 1	9.25000	29.50000	-3.50000	0.07588	-3.7250	-27.965E-6
-0.10854	1.9878E-6						
1 Displacement	Grid 1	10.25000	29.50000	-3.50000	0.07826	-3.7250	-39.771E-6
-0.13299	2.4352E-6						
1 Displacement	Grid 1	11.25000	29.50000	-3.50000	0.07831	-3.7250	-58.092E-6
-0.16520	3.0244E-6						
1 Displacement	Grid 1	12.25000	29.50000	-3.50000	0.07459	-3.7250	-87.585E-6
-0.20848	3.8156E-6						
1 Displacement	Grid 1	13.25000	29.50000	-3.50000	0.06497	-3.7250	-137.22E-6
-0.26797	4.9026E-6						
1 Displacement	Grid 1	14.25000	29.50000	-3.50000	0.04635	-3.7250	-225.50E-6
-0.35201	6.4368E-6						
1 Displacement	Grid 1	15.25000	29.50000	-3.50000	0.01425	-3.7250	-394.07E-6
-0.47478	8.6751E-6						
1 Displacement	Grid 1	16.25000	29.50000	-3.50000	-0.03770	-3.7250	-747.47E-6
-0.66182	12.078E-6						
1 Displacement	Grid 1	17.25000	29.50000	-3.50000	-0.11848	-3.7250	-0.0015860
-0.96218	17.523E-6						
1 Displacement	Grid 1	18.25000	29.50000	-3.50000	-0.24012	-3.7250	-0.0039029
-1.4743	26.740E-6						
1 Displacement	Grid 1	19.25000	29.50000	-3.50000	-0.41458	-3.7250	-0.010925
-2.3689	42.622E-6						
1 Displacement	Grid 1	20.25000	29.50000	-3.50000	-0.62822	-3.7250	-0.025689
-3.6563	65.134E-6						
1 Displacement	Grid 1	21.25000	29.50000	-3.50000	-0.81315	-3.7250	-0.036836
-4.7359	84.104E-6						
1 Displacement	Grid 1	22.25000	29.50000	-3.50000	-0.92396	-3.7250	-0.040661
-5.2934	94.041E-6						
1 Displacement	Grid 1	23.25000	29.50000	-3.50000	-0.95956	-3.7250	-0.041499
-5.4555	96.951E-6						
1 Displacement	Grid 1	24.25000	29.50000	-3.50000	-0.92312	-3.7250	-0.040658
-5.2903	93.985E-6						
1 Displacement	Grid 1	25.25000	29.50000	-3.50000	-0.81163	-3.7250	-0.036830
-4.7302	83.998E-6						
1 Displacement	Grid 1	26.25000	29.50000	-3.50000	-0.62628	-3.7250	-0.025682
-3.6486	64.993E-6						
1 Displacement	Grid 1	27.25000	29.50000	-3.50000	-0.41253	-3.7250	-0.010917
-2.3601	42.463E-6						
1 Displacement	Grid 1	28.25000	29.50000	-3.50000	-0.23823	-3.7250	-0.0038955
-1.4653	26.576E-6						
1 Displacement	Grid 1	29.25000	29.50000	-3.50000	-0.11695	-3.7250	-0.0015795
-0.95357	17.365E-6						
1 Displacement	Grid 1	30.25000	29.50000	-3.50000	-0.03664	-3.7250	-742.02E-6
-0.65396	11.935E-6						
1 Displacement	Grid 1	31.25000	29.50000	-3.50000	0.01483	-3.7250	-389.74E-6
-0.46786	8.5487E-6						
1 Displacement	Grid 1	32.25000	29.50000	-3.50000	0.04649	-3.7250	-222.16E-6
-0.34607	6.3281E-6						
1 Displacement	Grid 1	33.25000	29.50000	-3.50000	0.06476	-3.7250	-134.69E-6
-0.26294	4.8107E-6						
1 Displacement	Grid 1	34.25000	29.50000	-3.50000	0.07410	-3.7250	-85.689E-6
-0.20427	3.7386E-6						
1 Displacement	Grid 1	35.25000	29.50000	-3.50000	0.07762	-3.7250	-56.678E-6
-0.16170	2.9602E-6						
1 Displacement	Grid 1	36.25000	29.50000	-3.50000	0.07744	-3.7250	-38.716E-6
-0.13008	2.3818E-6						
1 Displacement	Grid 1	37.25000	29.50000	-3.50000	0.07500	-3.7250	-27.177E-6
-0.10612	1.9435E-6						
1 Displacement	Grid 1	38.25000	29.50000	-3.50000	0.07125	-3.7250	-19.529E-6
-0.087647	1.6054E-6						
1 Displacement	Grid 1	39.25000	29.50000	-3.50000	0.06683	-3.7250	-14.323E-6
-0.073189	1.3407E-6						
1 Displacement	Grid 1	40.25000	29.50000	-3.50000	0.06214	-3.7250	-10.695E-6
-0.061718	1.1307E-6						
1 Displacement	Grid 1	41.25000	29.50000	-3.50000	0.05746	-3.7250	-8.1146E-6
-0.052505	961.99E-9						
1 Displacement	Grid 1	42.25000	29.50000	-3.50000	0.05292	-3.7250	-6.2455E-6
-0.045024	824.98E-9						
1 Displacement	Grid 1	43.25000	29.50000	-3.50000	0.04863	-3.7250	-4.8692E-6
-0.038890	712.62E-9						

1 Displacement Grid 1	44.25000	29.50000	-3.50000	0.04462	-3.7250	-3.8408E-6
-0.033813 619.62E-9						
1 Displacement Grid 1	45.25000	29.50000	-3.50000	0.04093	-3.7250	-3.0619E-6
-0.029578 542.03E-9						
1 Displacement Grid 1	46.25000	29.50000	-3.50000	0.03753	-3.7250	-2.4648E-6
-0.026017 476.79E-9						
1 Displacement Grid 1	0.25000	30.50000	-3.50000	0.03729	-3.7250	-2.4110E-6
-0.025729 471.51E-9						
1 Displacement Grid 1	1.25000	30.50000	-3.50000	0.04062	-3.7250	-2.9824E-6
-0.029182 534.79E-9						
1 Displacement Grid 1	2.25000	30.50000	-3.50000	0.04424	-3.7250	-3.7226E-6
-0.033272 609.71E-9						
1 Displacement Grid 1	3.25000	30.50000	-3.50000	0.04816	-3.7250	-4.6922E-6
-0.038146 699.01E-9						
1 Displacement Grid 1	4.25000	30.50000	-3.50000	0.05236	-3.7250	-5.9780E-6
-0.044001 806.24E-9						
1 Displacement Grid 1	5.25000	30.50000	-3.50000	0.05680	-3.7250	-7.7055E-6
-0.051088 936.05E-9						
1 Displacement Grid 1	6.25000	30.50000	-3.50000	0.06140	-3.7250	-10.061E-6
-0.059743 1.0945E-6						
1 Displacement Grid 1	7.25000	30.50000	-3.50000	0.06603	-3.7250	-13.323E-6
-0.070412 1.2899E-6						
1 Displacement Grid 1	8.25000	30.50000	-3.50000	0.07047	-3.7250	-17.924E-6
-0.083699 1.5332E-6						
1 Displacement Grid 1	9.25000	30.50000	-3.50000	0.07439	-3.7250	-24.544E-6
-0.10043 1.8395E-6						
1 Displacement Grid 1	10.25000	30.50000	-3.50000	0.07729	-3.7250	-34.284E-6
-0.12178 2.2300E-6						
1 Displacement Grid 1	11.25000	30.50000	-3.50000	0.07840	-3.7250	-48.990E-6
-0.14936 2.7347E-6						
1 Displacement Grid 1	12.25000	30.50000	-3.50000	0.07665	-3.7250	-71.864E-6
-0.18558 3.3969E-6						
1 Displacement Grid 1	13.25000	30.50000	-3.50000	0.07052	-3.7250	-108.69E-6
-0.23392 4.2804E-6						
1 Displacement Grid 1	14.25000	30.50000	-3.50000	0.05789	-3.7250	-170.44E-6
-0.29966 5.4813E-6						
1 Displacement Grid 1	15.25000	30.50000	-3.50000	0.03597	-3.7250	-279.01E-6
-0.39094 7.1467E-6						
1 Displacement Grid 1	16.25000	30.50000	-3.50000	0.00122	-3.7250	-480.29E-6
-0.52034 9.5041E-6						
1 Displacement Grid 1	17.25000	30.50000	-3.50000	-0.05033	-3.7250	-873.26E-6
-0.70688 12.895E-6						
1 Displacement Grid 1	18.25000	30.50000	-3.50000	-0.12190	-3.7250	-0.0016587
-0.97545 17.761E-6						
1 Displacement Grid 1	19.25000	30.50000	-3.50000	-0.21262	-3.7250	-0.0031127
-1.3415 24.365E-6						
1 Displacement Grid 1	20.25000	30.50000	-3.50000	-0.31175	-3.7250	-0.0051386
-1.7652 31.983E-6						
1 Displacement Grid 1	21.25000	30.50000	-3.50000	-0.39878	-3.7250	-0.0068975
-2.1364 38.658E-6						
1 Displacement Grid 1	22.25000	30.50000	-3.50000	-0.45592	-3.7250	-0.0078584
-2.3692 42.854E-6						
1 Displacement Grid 1	23.25000	30.50000	-3.50000	-0.47538	-3.7250	-0.0081395
-2.4453 44.230E-6						
1 Displacement Grid 1	24.25000	30.50000	-3.50000	-0.45551	-3.7250	-0.0078568
-2.3673 42.819E-6						
1 Displacement Grid 1	25.25000	30.50000	-3.50000	-0.39804	-3.7250	-0.0068947
-2.1329 38.593E-6						
1 Displacement Grid 1	26.25000	30.50000	-3.50000	-0.31083	-3.7250	-0.0051349
-1.7604 31.895E-6						
1 Displacement Grid 1	27.25000	30.50000	-3.50000	-0.21166	-3.7250	-0.0031085
-1.3359 24.262E-6						
1 Displacement Grid 1	28.25000	30.50000	-3.50000	-0.12106	-3.7250	-0.0016546
-0.96953 17.652E-6						
1 Displacement Grid 1	29.25000	30.50000	-3.50000	-0.04971	-3.7250	-869.47E-6
-0.70103 12.788E-6						
1 Displacement Grid 1	30.25000	30.50000	-3.50000	0.00156	-3.7250	-477.00E-6
-0.51482 9.4032E-6						
1 Displacement Grid 1	31.25000	30.50000	-3.50000	0.03602	-3.7250	-276.27E-6
-0.38593 7.0549E-6						
1 Displacement Grid 1	32.25000	30.50000	-3.50000	0.05767	-3.7250	-168.24E-6

-0.29522	5.4000E-6						
1 Displacement Grid 1	33.25000	30.50000	-3.50000	0.07007	-3.7250	-106.95E-6	
-0.23005	4.2097E-6						
1 Displacement Grid 1	34.25000	30.50000	-3.50000	0.07602	-3.7250	-70.511E-6	
-0.18225	3.3361E-6						
1 Displacement Grid 1	35.25000	30.50000	-3.50000	0.07764	-3.7250	-47.947E-6	
-0.14653	2.6829E-6						
1 Displacement Grid 1	36.25000	30.50000	-3.50000	0.07645	-3.7250	-33.482E-6	
-0.11937	2.1860E-6						
1 Displacement Grid 1	37.25000	30.50000	-3.50000	0.07352	-3.7250	-23.928E-6	
-0.098398	1.8022E-6						
1 Displacement Grid 1	38.25000	30.50000	-3.50000	0.06959	-3.7250	-17.451E-6	
-0.081975	1.5016E-6						
1 Displacement Grid 1	39.25000	30.50000	-3.50000	0.06516	-3.7250	-12.958E-6	
-0.068950	1.2631E-6						
1 Displacement Grid 1	40.25000	30.50000	-3.50000	0.06056	-3.7250	-9.7773E-6	
-0.058502	1.0718E-6						
1 Displacement Grid 1	41.25000	30.50000	-3.50000	0.05600	-3.7250	-7.4847E-6	
-0.050031	916.69E-9						
1 Displacement Grid 1	42.25000	30.50000	-3.50000	0.05161	-3.7250	-5.8050E-6	
-0.043098	789.70E-9						
1 Displacement Grid 1	43.25000	30.50000	-3.50000	0.04746	-3.7250	-4.5559E-6	
-0.037373	684.83E-9						
1 Displacement Grid 1	44.25000	30.50000	-3.50000	0.04359	-3.7250	-3.6144E-6	
-0.032606	597.51E-9						
1 Displacement Grid 1	45.25000	30.50000	-3.50000	0.04002	-3.7250	-2.8961E-6	
-0.028608	524.26E-9						
1 Displacement Grid 1	46.25000	30.50000	-3.50000	0.03674	-3.7250	-2.3417E-6	
-0.025230	462.39E-9						
1 Displacement Grid 1	0.25000	31.50000	-3.50000	0.03636	-3.7250	-2.2692E-6	
-0.024814	454.76E-9						
1 Displacement Grid 1	1.25000	31.50000	-3.50000	0.03956	-3.7250	-2.7925E-6	
-0.028059	514.21E-9						
1 Displacement Grid 1	2.25000	31.50000	-3.50000	0.04303	-3.7250	-3.4653E-6	
-0.031880	584.22E-9						
1 Displacement Grid 1	3.25000	31.50000	-3.50000	0.04679	-3.7250	-4.3391E-6	
-0.036408	667.15E-9						
1 Displacement Grid 1	4.25000	31.50000	-3.50000	0.05083	-3.7250	-5.4865E-6	
-0.041808	766.07E-9						
1 Displacement Grid 1	5.25000	31.50000	-3.50000	0.05510	-3.7250	-7.0110E-6	
-0.048293	884.86E-9						
1 Displacement Grid 1	6.25000	31.50000	-3.50000	0.05954	-3.7250	-9.0627E-6	
-0.056142	1.0286E-6						
1 Displacement Grid 1	7.25000	31.50000	-3.50000	0.06406	-3.7250	-11.863E-6	
-0.065716	1.2039E-6						
1 Displacement Grid 1	8.25000	31.50000	-3.50000	0.06848	-3.7250	-15.743E-6	
-0.077495	1.4196E-6						
1 Displacement Grid 1	9.25000	31.50000	-3.50000	0.07254	-3.7250	-21.212E-6	
-0.092121	1.6873E-6						
1 Displacement Grid 1	10.25000	31.50000	-3.50000	0.07585	-3.7250	-29.062E-6	
-0.11046	2.0229E-6						
1 Displacement Grid 1	11.25000	31.50000	-3.50000	0.07785	-3.7250	-40.562E-6	
-0.13369	2.4479E-6						
1 Displacement Grid 1	12.25000	31.50000	-3.50000	0.07778	-3.7250	-57.793E-6	
-0.16343	2.9919E-6						
1 Displacement Grid 1	13.25000	31.50000	-3.50000	0.07457	-3.7250	-84.250E-6	
-0.20192	3.6957E-6						
1 Displacement Grid 1	14.25000	31.50000	-3.50000	0.06688	-3.7250	-125.95E-6	
-0.25229	4.6160E-6						
1 Displacement Grid 1	15.25000	31.50000	-3.50000	0.05305	-3.7250	-193.39E-6	
-0.31876	5.8296E-6						
1 Displacement Grid 1	16.25000	31.50000	-3.50000	0.03126	-3.7250	-304.82E-6	
-0.40687	7.4368E-6						
1 Displacement Grid 1	17.25000	31.50000	-3.50000	-0.00006	-3.7250	-489.97E-6	
-0.52294	9.5511E-6						
1 Displacement Grid 1	18.25000	31.50000	-3.50000	-0.04136	-3.7250	-788.09E-6	
-0.67156	12.254E-6						
1 Displacement Grid 1	19.25000	31.50000	-3.50000	-0.09053	-3.7250	-0.0012212	
-0.84916	15.478E-6						
1 Displacement Grid 1	20.25000	31.50000	-3.50000	-0.14175	-3.7250	-0.0017352	
-1.0359	18.863E-6						

1 Displacement Grid 1	21.25000	31.50000	-3.50000	-0.18640	-3.7250	-0.0021938
-1.1979 21.800E-6						
1 Displacement Grid 1	22.25000	31.50000	-3.50000	-0.21640	-3.7250	-0.0024861
-1.3049 23.739E-6						
1 Displacement Grid 1	23.25000	31.50000	-3.50000	-0.22686	-3.7250	-0.0025827
-1.3414 24.402E-6						
1 Displacement Grid 1	24.25000	31.50000	-3.50000	-0.21623	-3.7250	-0.0024853
-1.3037 23.717E-6						
1 Displacement Grid 1	25.25000	31.50000	-3.50000	-0.18610	-3.7250	-0.0021923
-1.1956 21.758E-6						
1 Displacement Grid 1	26.25000	31.50000	-3.50000	-0.14139	-3.7250	-0.0017331
-1.0328 18.806E-6						
1 Displacement Grid 1	27.25000	31.50000	-3.50000	-0.09018	-3.7250	-0.0012189
-0.84546 15.410E-6						
1 Displacement Grid 1	28.25000	31.50000	-3.50000	-0.04110	-3.7250	-785.72E-6
-0.66755 12.180E-6						
1 Displacement Grid 1	29.25000	31.50000	-3.50000	0.00004	-3.7250	-487.71E-6
-0.51887 9.4767E-6						
1 Displacement Grid 1	30.25000	31.50000	-3.50000	0.03118	-3.7250	-302.78E-6
-0.40294 7.3648E-6						
1 Displacement Grid 1	31.25000	31.50000	-3.50000	0.05279	-3.7250	-191.64E-6
-0.31508 5.7624E-6						
1 Displacement Grid 1	32.25000	31.50000	-3.50000	0.06645	-3.7250	-124.48E-6
-0.24894 4.5548E-6						
1 Displacement Grid 1	33.25000	31.50000	-3.50000	0.07399	-3.7250	-83.050E-6
-0.19894 3.6411E-6						
1 Displacement Grid 1	34.25000	31.50000	-3.50000	0.07708	-3.7250	-56.827E-6
-0.16080 2.9438E-6						
1 Displacement Grid 1	35.25000	31.50000	-3.50000	0.07708	-3.7250	-39.794E-6
-0.13140 2.4061E-6						
1 Displacement Grid 1	36.25000	31.50000	-3.50000	0.07503	-3.7250	-28.455E-6
-0.10848 1.9867E-6						
1 Displacement Grid 1	37.25000	31.50000	-3.50000	0.07170	-3.7250	-20.734E-6
-0.090417 1.6561E-6						
1 Displacement Grid 1	38.25000	31.50000	-3.50000	0.06764	-3.7250	-15.367E-6
-0.076030 1.3927E-6						
1 Displacement Grid 1	39.25000	31.50000	-3.50000	0.06324	-3.7250	-11.567E-6
-0.064456 1.1808E-6						
1 Displacement Grid 1	40.25000	31.50000	-3.50000	0.05876	-3.7250	-8.8290E-6
-0.055058 1.0087E-6						
1 Displacement Grid 1	41.25000	31.50000	-3.50000	0.05435	-3.7250	-6.8260E-6
-0.047360 867.76E-9						
1 Displacement Grid 1	42.25000	31.50000	-3.50000	0.05012	-3.7250	-5.3394E-6
-0.041002 751.32E-9						
1 Displacement Grid 1	43.25000	31.50000	-3.50000	0.04614	-3.7250	-4.2217E-6
-0.035711 654.40E-9						
1 Displacement Grid 1	44.25000	31.50000	-3.50000	0.04242	-3.7250	-3.3711E-6
-0.031276 573.15E-9						
1 Displacement Grid 1	45.25000	31.50000	-3.50000	0.03899	-3.7250	-2.7166E-6
-0.027534 504.59E-9						
1 Displacement Grid 1	46.25000	31.50000	-3.50000	0.03584	-3.7250	-2.2077E-6
-0.024356 446.37E-9						
1 Displacement Grid 1	0.25000	32.50000	-3.50000	0.03533	-3.7250	-2.1207E-6
-0.023832 436.76E-9						
1 Displacement Grid 1	1.25000	32.50000	-3.50000	0.03839	-3.7250	-2.5951E-6
-0.026858 492.21E-9						
1 Displacement Grid 1	2.25000	32.50000	-3.50000	0.04171	-3.7250	-3.1999E-6
-0.030401 557.12E-9						
1 Displacement Grid 1	3.25000	32.50000	-3.50000	0.04530	-3.7250	-3.9782E-6
-0.034572 633.52E-9						
1 Displacement Grid 1	4.25000	32.50000	-3.50000	0.04915	-3.7250	-4.9893E-6
-0.039508 723.95E-9						
1 Displacement Grid 1	5.25000	32.50000	-3.50000	0.05323	-3.7250	-6.3166E-6
-0.045388 831.64E-9						
1 Displacement Grid 1	6.25000	32.50000	-3.50000	0.05749	-3.7250	-8.0783E-6
-0.052434 960.69E-9						
1 Displacement Grid 1	7.25000	32.50000	-3.50000	0.06187	-3.7250	-10.444E-6
-0.060934 1.1164E-6						
1 Displacement Grid 1	8.25000	32.50000	-3.50000	0.06621	-3.7250	-13.663E-6
-0.071258 1.3054E-6						
1 Displacement Grid 1	9.25000	32.50000	-3.50000	0.07032	-3.7250	-18.100E-6

-0.083886	1.5366E-6						
1 Displacement	Grid 1	10.25000	32.50000	-3.50000	0.07392	-3.7250	-24.306E-6
-0.099441	1.8213E-6						
1 Displacement	Grid 1	11.25000	32.50000	-3.50000	0.07661	-3.7250	-33.116E-6
-0.11874	2.1744E-6						
1 Displacement	Grid 1	12.25000	32.50000	-3.50000	0.07784	-3.7250	-45.821E-6
-0.14283	2.6151E-6						
1 Displacement	Grid 1	13.25000	32.50000	-3.50000	0.07692	-3.7250	-64.422E-6
-0.17307	3.1683E-6						
1 Displacement	Grid 1	14.25000	32.50000	-3.50000	0.07300	-3.7250	-92.031E-6
-0.21119	3.8649E-6						
1 Displacement	Grid 1	15.25000	32.50000	-3.50000	0.06514	-3.7250	-133.39E-6
-0.25920	4.7421E-6						
1 Displacement	Grid 1	16.25000	32.50000	-3.50000	0.05243	-3.7250	-195.35E-6
-0.31926	5.8386E-6						
1 Displacement	Grid 1	17.25000	32.50000	-3.50000	0.03433	-3.7250	-286.44E-6
-0.39298	7.1835E-6						
1 Displacement	Grid 1	18.25000	32.50000	-3.50000	0.01110	-3.7250	-413.84E-6
-0.48005	8.7704E-6						
1 Displacement	Grid 1	19.25000	32.50000	-3.50000	-0.01570	-3.7250	-575.50E-6
-0.57613	10.520E-6						
1 Displacement	Grid 1	20.25000	32.50000	-3.50000	-0.04294	-3.7250	-751.57E-6
-0.67142	12.254E-6						
1 Displacement	Grid 1	21.25000	32.50000	-3.50000	-0.06647	-3.7250	-907.51E-6
-0.75233	13.726E-6						
1 Displacement	Grid 1	22.25000	32.50000	-3.50000	-0.08237	-3.7250	-0.0010118
-0.80611	14.704E-6						
1 Displacement	Grid 1	23.25000	32.50000	-3.50000	-0.08795	-3.7250	-0.0010477
-0.82464	15.041E-6						
1 Displacement	Grid 1	24.25000	32.50000	-3.50000	-0.08232	-3.7250	-0.0010113
-0.80532	14.689E-6						
1 Displacement	Grid 1	25.25000	32.50000	-3.50000	-0.06641	-3.7250	-906.66E-6
-0.75083	13.698E-6						
1 Displacement	Grid 1	26.25000	32.50000	-3.50000	-0.04288	-3.7250	-750.41E-6
-0.66933	12.216E-6						
1 Displacement	Grid 1	27.25000	32.50000	-3.50000	-0.01569	-3.7250	-574.16E-6
-0.57361	10.474E-6						
1 Displacement	Grid 1	28.25000	32.50000	-3.50000	0.01102	-3.7250	-412.43E-6
-0.47727	8.7195E-6						
1 Displacement	Grid 1	29.25000	32.50000	-3.50000	0.03415	-3.7250	-285.06E-6
-0.39010	7.1308E-6						
1 Displacement	Grid 1	30.25000	32.50000	-3.50000	0.05212	-3.7250	-194.06E-6
-0.31641	5.7865E-6						
1 Displacement	Grid 1	31.25000	32.50000	-3.50000	0.06470	-3.7250	-132.25E-6
-0.25647	4.6922E-6						
1 Displacement	Grid 1	32.25000	32.50000	-3.50000	0.07245	-3.7250	-91.041E-6
-0.20865	3.8185E-6						
1 Displacement	Grid 1	33.25000	32.50000	-3.50000	0.07628	-3.7250	-63.587E-6
-0.17076	3.1260E-6						
1 Displacement	Grid 1	34.25000	32.50000	-3.50000	0.07713	-3.7250	-45.129E-6
-0.14075	2.5771E-6						
1 Displacement	Grid 1	35.25000	32.50000	-3.50000	0.07585	-3.7250	-32.551E-6
-0.11689	2.1406E-6						
1 Displacement	Grid 1	36.25000	32.50000	-3.50000	0.07314	-3.7250	-23.847E-6
-0.097817	1.7916E-6						
1 Displacement	Grid 1	37.25000	32.50000	-3.50000	0.06953	-3.7250	-17.730E-6
-0.082464	1.5105E-6						
1 Displacement	Grid 1	38.25000	32.50000	-3.50000	0.06542	-3.7250	-13.366E-6
-0.070017	1.2827E-6						
1 Displacement	Grid 1	39.25000	32.50000	-3.50000	0.06110	-3.7250	-10.206E-6
-0.059853	1.0965E-6						
1 Displacement	Grid 1	40.25000	32.50000	-3.50000	0.05676	-3.7250	-7.8869E-6
-0.051492	943.44E-9						
1 Displacement	Grid 1	41.25000	32.50000	-3.50000	0.05253	-3.7250	-6.1626E-6
-0.044568	816.62E-9						
1 Displacement	Grid 1	42.25000	32.50000	-3.50000	0.04849	-3.7250	-4.8652E-6
-0.038794	710.86E-9						
1 Displacement	Grid 1	43.25000	32.50000	-3.50000	0.04469	-3.7250	-3.8778E-6
-0.033948	622.09E-9						
1 Displacement	Grid 1	44.25000	32.50000	-3.50000	0.04114	-3.7250	-3.1185E-6
-0.029856	547.13E-9						



1 Displacement Grid 1	45.25000	32.50000	-3.50000	0.03786	-3.7250	-2.5287E-6
-0.026381 483.46E-9						
1 Displacement Grid 1	46.25000	32.50000	-3.50000	0.03485	-3.7250	-2.0664E-6
-0.023413 429.08E-9						
1 Displacement Grid 1	0.25000	33.50000	-3.50000	0.03424	-3.7250	-1.9690E-6
-0.022800 417.85E-9						
1 Displacement Grid 1	1.25000	33.50000	-3.50000	0.03714	-3.7250	-2.3950E-6
-0.025604 469.23E-9						
1 Displacement Grid 1	2.25000	33.50000	-3.50000	0.04030	-3.7250	-2.9334E-6
-0.028866 528.99E-9						
1 Displacement Grid 1	3.25000	33.50000	-3.50000	0.04370	-3.7250	-3.6192E-6
-0.032679 598.84E-9						
1 Displacement Grid 1	4.25000	33.50000	-3.50000	0.04735	-3.7250	-4.5003E-6
-0.037157 680.87E-9						
1 Displacement Grid 1	5.25000	33.50000	-3.50000	0.05122	-3.7250	-5.6423E-6
-0.042443 777.70E-9						
1 Displacement Grid 1	6.25000	33.50000	-3.50000	0.05528	-3.7250	-7.1361E-6
-0.048714 892.56E-9						
1 Displacement Grid 1	7.25000	33.50000	-3.50000	0.05947	-3.7250	-9.1091E-6
-0.056192 1.0295E-6						
1 Displacement Grid 1	8.25000	33.50000	-3.50000	0.06369	-3.7250	-11.741E-6
-0.065154 1.1936E-6						
1 Displacement Grid 1	9.25000	33.50000	-3.50000	0.06779	-3.7250	-15.290E-6
-0.075950 1.3913E-6						
1 Displacement Grid 1	10.25000	33.50000	-3.50000	0.07155	-3.7250	-20.123E-6
-0.089014 1.6304E-6						
1 Displacement Grid 1	11.25000	33.50000	-3.50000	0.07470	-3.7250	-26.773E-6
-0.10488 1.9209E-6						
1 Displacement Grid 1	12.25000	33.50000	-3.50000	0.07686	-3.7250	-36.008E-6
-0.12422 2.2747E-6						
1 Displacement Grid 1	13.25000	33.50000	-3.50000	0.07759	-3.7250	-48.929E-6
-0.14780 2.7060E-6						
1 Displacement Grid 1	14.25000	33.50000	-3.50000	0.07636	-3.7250	-67.079E-6
-0.17649 3.2307E-6						
1 Displacement Grid 1	15.25000	33.50000	-3.50000	0.07264	-3.7250	-92.512E-6
-0.21118 3.8649E-6						
1 Displacement Grid 1	16.25000	33.50000	-3.50000	0.06599	-3.7250	-127.69E-6
-0.25254 4.6204E-6						
1 Displacement Grid 1	17.25000	33.50000	-3.50000	0.05625	-3.7250	-174.90E-6
-0.30060 5.4980E-6						
1 Displacement Grid 1	18.25000	33.50000	-3.50000	0.04373	-3.7250	-234.91E-6
-0.35416 6.4756E-6						
1 Displacement Grid 1	19.25000	33.50000	-3.50000	0.02944	-3.7250	-304.82E-6
-0.41015 7.4969E-6						
1 Displacement Grid 1	20.25000	33.50000	-3.50000	0.01506	-3.7250	-376.74E-6
-0.46342 8.4683E-6						
1 Displacement Grid 1	21.25000	33.50000	-3.50000	0.00270	-3.7250	-439.22E-6
-0.50762 9.2739E-6						
1 Displacement Grid 1	22.25000	33.50000	-3.50000	-0.00566	-3.7250	-481.32E-6
-0.53676 9.8050E-6						
1 Displacement Grid 1	23.25000	33.50000	-3.50000	-0.00862	-3.7250	-496.03E-6
-0.54676 9.9873E-6						
1 Displacement Grid 1	24.25000	33.50000	-3.50000	-0.00569	-3.7250	-481.06E-6
-0.53622 9.7952E-6						
1 Displacement Grid 1	25.25000	33.50000	-3.50000	0.00264	-3.7250	-438.72E-6
-0.50659 9.2551E-6						
1 Displacement Grid 1	26.25000	33.50000	-3.50000	0.01496	-3.7250	-376.05E-6
-0.46198 8.4419E-6						
1 Displacement Grid 1	27.25000	33.50000	-3.50000	0.02928	-3.7250	-304.01E-6
-0.40839 7.4646E-6						
1 Displacement Grid 1	28.25000	33.50000	-3.50000	0.04349	-3.7250	-234.04E-6
-0.35219 6.4395E-6						
1 Displacement Grid 1	29.25000	33.50000	-3.50000	0.05592	-3.7250	-174.03E-6
-0.29852 5.4600E-6						
1 Displacement Grid 1	30.25000	33.50000	-3.50000	0.06557	-3.7250	-126.86E-6
-0.25044 4.5821E-6						
1 Displacement Grid 1	31.25000	33.50000	-3.50000	0.07213	-3.7250	-91.751E-6
-0.20914 3.8275E-6						
1 Displacement Grid 1	32.25000	33.50000	-3.50000	0.07577	-3.7250	-66.403E-6
-0.17456 3.1953E-6						
1 Displacement Grid 1	33.25000	33.50000	-3.50000	0.07694	-3.7250	-48.343E-6

-0.14600	2.6730E-6						
1 Displacement Grid 1	34.25000	33.50000	-3.50000	0.07616	-3.7250	-35.510E-6	
-0.12257	2.2445E-6						
1 Displacement Grid 1	35.25000	33.50000	-3.50000	0.07397	-3.7250	-26.355E-6	
-0.10340	1.8936E-6						
1 Displacement Grid 1	36.25000	33.50000	-3.50000	0.07081	-3.7250	-19.776E-6	
-0.087681	1.6060E-6						
1 Displacement Grid 1	37.25000	33.50000	-3.50000	0.06704	-3.7250	-15.005E-6	
-0.074765	1.3696E-6						
1 Displacement Grid 1	38.25000	33.50000	-3.50000	0.06296	-3.7250	-11.508E-6	
-0.064105	1.1744E-6						
1 Displacement Grid 1	39.25000	33.50000	-3.50000	0.05877	-3.7250	-8.9180E-6	
-0.055266	1.0125E-6						
1 Displacement Grid 1	40.25000	33.50000	-3.50000	0.05461	-3.7250	-6.9800E-6	
-0.047898	877.62E-9						
1 Displacement Grid 1	41.25000	33.50000	-3.50000	0.05058	-3.7250	-5.5148E-6	
-0.041725	764.55E-9						
1 Displacement Grid 1	42.25000	33.50000	-3.50000	0.04674	-3.7250	-4.3961E-6	
-0.036525	669.31E-9						
1 Displacement Grid 1	43.25000	33.50000	-3.50000	0.04313	-3.7250	-3.5339E-6	
-0.032123	588.65E-9						
1 Displacement Grid 1	44.25000	33.50000	-3.50000	0.03977	-3.7250	-2.8633E-6	
-0.028376	520.01E-9						
1 Displacement Grid 1	45.25000	33.50000	-3.50000	0.03665	-3.7250	-2.3374E-6	
-0.025171	461.30E-9						
1 Displacement Grid 1	46.25000	33.50000	-3.50000	0.03378	-3.7250	-1.9214E-6	
-0.022418	410.85E-9						
1 Displacement Grid 1	0.25000	34.50000	-3.50000	0.03308	-3.7250	-1.8174E-6	
-0.021736	398.36E-9						
1 Displacement Grid 1	1.25000	34.50000	-3.50000	0.03583	-3.7250	-2.1967E-6	
-0.024318	445.67E-9						
1 Displacement Grid 1	2.25000	34.50000	-3.50000	0.03881	-3.7250	-2.6716E-6	
-0.027302	500.34E-9						
1 Displacement Grid 1	3.25000	34.50000	-3.50000	0.04202	-3.7250	-3.2703E-6	
-0.030765	563.79E-9						
1 Displacement Grid 1	4.25000	34.50000	-3.50000	0.04545	-3.7250	-4.0306E-6	
-0.034800	637.69E-9						
1 Displacement Grid 1	5.25000	34.50000	-3.50000	0.04911	-3.7250	-5.0030E-6	
-0.039518	724.12E-9						
1 Displacement Grid 1	6.25000	34.50000	-3.50000	0.05295	-3.7250	-6.2561E-6	
-0.045058	825.60E-9						
1 Displacement Grid 1	7.25000	34.50000	-3.50000	0.05693	-3.7250	-7.8833E-6	
-0.051587	945.17E-9						
1 Displacement Grid 1	8.25000	34.50000	-3.50000	0.06098	-3.7250	-10.012E-6	
-0.059308	1.0866E-6						
1 Displacement Grid 1	9.25000	34.50000	-3.50000	0.06498	-3.7250	-12.818E-6	
-0.068468	1.2543E-6						
1 Displacement Grid 1	10.25000	34.50000	-3.50000	0.06878	-3.7250	-16.541E-6	
-0.079359	1.4537E-6						
1 Displacement Grid 1	11.25000	34.50000	-3.50000	0.07219	-3.7250	-21.510E-6	
-0.092324	1.6910E-6						
1 Displacement Grid 1	12.25000	34.50000	-3.50000	0.07496	-3.7250	-28.170E-6	
-0.10776	1.9734E-6						
1 Displacement Grid 1	13.25000	34.50000	-3.50000	0.07679	-3.7250	-37.105E-6	
-0.12607	2.3086E-6						
1 Displacement Grid 1	14.25000	34.50000	-3.50000	0.07735	-3.7250	-49.055E-6	
-0.14768	2.7039E-6						
1 Displacement Grid 1	15.25000	34.50000	-3.50000	0.07636	-3.7250	-64.877E-6	
-0.17290	3.1650E-6						
1 Displacement Grid 1	16.25000	34.50000	-3.50000	0.07357	-3.7250	-85.402E-6	
-0.20177	3.6929E-6						
1 Displacement Grid 1	17.25000	34.50000	-3.50000	0.06896	-3.7250	-111.12E-6	
-0.23392	4.2804E-6						
1 Displacement Grid 1	18.25000	34.50000	-3.50000	0.06276	-3.7250	-141.63E-6	
-0.26824	4.9072E-6						
1 Displacement Grid 1	19.25000	34.50000	-3.50000	0.05556	-3.7250	-175.13E-6	
-0.30270	5.5366E-6						
1 Displacement Grid 1	20.25000	34.50000	-3.50000	0.04827	-3.7250	-208.15E-6	
-0.33447	6.1166E-6						
1 Displacement Grid 1	21.25000	34.50000	-3.50000	0.04198	-3.7250	-236.21E-6	
-0.36027	6.5875E-6						

1 Displacement Grid 1	22.25000	34.50000	-3.50000	0.03771	-3.7250	-255.00E-6
-0.37708 6.8943E-6						
1 Displacement Grid 1	23.25000	34.50000	-3.50000	0.03618	-3.7250	-261.55E-6
-0.38280 6.9987E-6						
1 Displacement Grid 1	24.25000	34.50000	-3.50000	0.03766	-3.7250	-254.84E-6
-0.37671 6.8875E-6						
1 Displacement Grid 1	25.25000	34.50000	-3.50000	0.04187	-3.7250	-235.91E-6
-0.35955 6.5744E-6						
1 Displacement Grid 1	26.25000	34.50000	-3.50000	0.04810	-3.7250	-207.73E-6
-0.33345 6.0980E-6						
1 Displacement Grid 1	27.25000	34.50000	-3.50000	0.05532	-3.7250	-174.63E-6
-0.30145 5.5136E-6						
1 Displacement Grid 1	28.25000	34.50000	-3.50000	0.06245	-3.7250	-141.08E-6
-0.26681 4.8811E-6						
1 Displacement Grid 1	29.25000	34.50000	-3.50000	0.06857	-3.7250	-110.55E-6
-0.23240 4.2525E-6						
1 Displacement Grid 1	30.25000	34.50000	-3.50000	0.07311	-3.7250	-84.853E-6
-0.20021 3.6643E-6						
1 Displacement Grid 1	31.25000	34.50000	-3.50000	0.07583	-3.7250	-64.362E-6
-0.17135 3.1366E-6						
1 Displacement Grid 1	32.25000	34.50000	-3.50000	0.07677	-3.7250	-48.587E-6
-0.14619 2.6766E-6						
1 Displacement Grid 1	33.25000	34.50000	-3.50000	0.07615	-3.7250	-36.690E-6
-0.12466 2.2828E-6						
1 Displacement Grid 1	34.25000	34.50000	-3.50000	0.07430	-3.7250	-27.809E-6
-0.10644 1.9494E-6						
1 Displacement Grid 1	35.25000	34.50000	-3.50000	0.07151	-3.7250	-21.201E-6
-0.091120 1.6690E-6						
1 Displacement Grid 1	36.25000	34.50000	-3.50000	0.06809	-3.7250	-16.279E-6
-0.078264 1.4336E-6						
1 Displacement Grid 1	37.25000	34.50000	-3.50000	0.06429	-3.7250	-12.598E-6
-0.067481 1.2362E-6						
1 Displacement Grid 1	38.25000	34.50000	-3.50000	0.06030	-3.7250	-9.8284E-6
-0.058423 1.0704E-6						
1 Displacement Grid 1	39.25000	34.50000	-3.50000	0.05628	-3.7250	-7.7305E-6
-0.050796 930.69E-9						
1 Displacement Grid 1	40.25000	34.50000	-3.50000	0.05233	-3.7250	-6.1293E-6
-0.044353 812.69E-9						
1 Displacement Grid 1	41.25000	34.50000	-3.50000	0.04852	-3.7250	-4.8979E-6
-0.038892 712.65E-9						
1 Displacement Grid 1	42.25000	34.50000	-3.50000	0.04489	-3.7250	-3.9435E-6
-0.034243 627.50E-9						
1 Displacement Grid 1	43.25000	34.50000	-3.50000	0.04149	-3.7250	-3.1981E-6
-0.030271 554.74E-9						
1 Displacement Grid 1	44.25000	34.50000	-3.50000	0.03831	-3.7250	-2.6117E-6
-0.026864 492.31E-9						
1 Displacement Grid 1	45.25000	34.50000	-3.50000	0.03537	-3.7250	-2.1468E-6
-0.023928 438.52E-9						
1 Displacement Grid 1	46.25000	34.50000	-3.50000	0.03265	-3.7250	-1.7758E-6
-0.021389 392.00E-9						
1 Displacement Grid 1	0.25000	35.50000	-3.50000	0.03187	-3.7250	-1.6685E-6
-0.020656 378.57E-9						
1 Displacement Grid 1	1.25000	35.50000	-3.50000	0.03446	-3.7250	-2.0036E-6
-0.023021 421.90E-9						
1 Displacement Grid 1	2.25000	35.50000	-3.50000	0.03726	-3.7250	-2.4192E-6
-0.025736 471.65E-9						
1 Displacement Grid 1	3.25000	35.50000	-3.50000	0.04027	-3.7250	-2.9377E-6
-0.028863 528.94E-9						
1 Displacement Grid 1	4.25000	35.50000	-3.50000	0.04350	-3.7250	-3.5881E-6
-0.032476 595.13E-9						
1 Displacement Grid 1	5.25000	35.50000	-3.50000	0.04692	-3.7250	-4.4089E-6
-0.036662 671.81E-9						
1 Displacement Grid 1	6.25000	35.50000	-3.50000	0.05053	-3.7250	-5.4509E-6
-0.041526 760.91E-9						
1 Displacement Grid 1	7.25000	35.50000	-3.50000	0.05427	-3.7250	-6.7811E-6
-0.047192 864.68E-9						
1 Displacement Grid 1	8.25000	35.50000	-3.50000	0.05811	-3.7250	-8.4880E-6
-0.053804 985.79E-9						
1 Displacement Grid 1	9.25000	35.50000	-3.50000	0.06196	-3.7250	-10.689E-6
-0.061532 1.1273E-6						
1 Displacement Grid 1	10.25000	35.50000	-3.50000	0.06570	-3.7250	-13.536E-6

-0.070566	1.2927E-6						
1 Displacement	Grid 1	11.25000	35.50000	-3.50000	0.06921	-3.7250	-17.228E-6
-0.081117	1.4859E-6						
1 Displacement	Grid 1	12.25000	35.50000	-3.50000	0.07230	-3.7250	-22.015E-6
-0.093404	1.7108E-6						
1 Displacement	Grid 1	13.25000	35.50000	-3.50000	0.07479	-3.7250	-28.199E-6
-0.10764	1.9712E-6						
1 Displacement	Grid 1	14.25000	35.50000	-3.50000	0.07647	-3.7250	-36.123E-6
-0.12397	2.2701E-6						
1 Displacement	Grid 1	15.25000	35.50000	-3.50000	0.07716	-3.7250	-46.126E-6
-0.14245	2.6082E-6						
1 Displacement	Grid 1	16.25000	35.50000	-3.50000	0.07674	-3.7250	-58.448E-6
-0.16293	2.9828E-6						
1 Displacement	Grid 1	17.25000	35.50000	-3.50000	0.07519	-3.7250	-73.083E-6
-0.18497	3.3857E-6						
1 Displacement	Grid 1	18.25000	35.50000	-3.50000	0.07266	-3.7250	-89.583E-6
-0.20770	3.8013E-6						
1 Displacement	Grid 1	19.25000	35.50000	-3.50000	0.06948	-3.7250	-106.90E-6
-0.22985	4.2061E-6						
1 Displacement	Grid 1	20.25000	35.50000	-3.50000	0.06614	-3.7250	-123.41E-6
-0.24976	4.5698E-6						
1 Displacement	Grid 1	21.25000	35.50000	-3.50000	0.06318	-3.7250	-137.14E-6
-0.26563	4.8598E-6						
1 Displacement	Grid 1	22.25000	35.50000	-3.50000	0.06114	-3.7250	-146.23E-6
-0.27585	5.0464E-6						
1 Displacement	Grid 1	23.25000	35.50000	-3.50000	0.06040	-3.7250	-149.38E-6
-0.27930	5.1094E-6						
1 Displacement	Grid 1	24.25000	35.50000	-3.50000	0.06108	-3.7250	-146.13E-6
-0.27558	5.0416E-6						
1 Displacement	Grid 1	25.25000	35.50000	-3.50000	0.06305	-3.7250	-136.95E-6
-0.26512	4.8504E-6						
1 Displacement	Grid 1	26.25000	35.50000	-3.50000	0.06594	-3.7250	-123.15E-6
-0.24903	4.5564E-6						
1 Displacement	Grid 1	27.25000	35.50000	-3.50000	0.06922	-3.7250	-106.58E-6
-0.22894	4.1894E-6						
1 Displacement	Grid 1	28.25000	35.50000	-3.50000	0.07233	-3.7250	-89.226E-6
-0.20666	3.7821E-6						
1 Displacement	Grid 1	29.25000	35.50000	-3.50000	0.07479	-3.7250	-72.711E-6
-0.18383	3.3649E-6						
1 Displacement	Grid 1	30.25000	35.50000	-3.50000	0.07627	-3.7250	-58.078E-6
-0.16175	2.9612E-6						
1 Displacement	Grid 1	31.25000	35.50000	-3.50000	0.07664	-3.7250	-45.772E-6
-0.14126	2.5865E-6						
1 Displacement	Grid 1	32.25000	35.50000	-3.50000	0.07591	-3.7250	-35.796E-6
-0.12281	2.2488E-6						
1 Displacement	Grid 1	33.25000	35.50000	-3.50000	0.07419	-3.7250	-27.902E-6
-0.10652	1.9508E-6						
1 Displacement	Grid 1	34.25000	35.50000	-3.50000	0.07168	-3.7250	-21.751E-6
-0.092354	1.6916E-6						
1 Displacement	Grid 1	35.25000	35.50000	-3.50000	0.06858	-3.7250	-16.998E-6
-0.080139	1.4680E-6						
1 Displacement	Grid 1	36.25000	35.50000	-3.50000	0.06507	-3.7250	-13.337E-6
-0.069665	1.2762E-6						
1 Displacement	Grid 1	37.25000	35.50000	-3.50000	0.06133	-3.7250	-10.518E-6
-0.060709	1.1122E-6						
1 Displacement	Grid 1	38.25000	35.50000	-3.50000	0.05750	-3.7250	-8.3434E-6
-0.053057	972.10E-9						
1 Displacement	Grid 1	39.25000	35.50000	-3.50000	0.05368	-3.7250	-6.6589E-6
-0.046517	852.32E-9						
1 Displacement	Grid 1	40.25000	35.50000	-3.50000	0.04996	-3.7250	-5.3481E-6
-0.040919	749.79E-9						
1 Displacement	Grid 1	41.25000	35.50000	-3.50000	0.04638	-3.7250	-4.3225E-6
-0.036117	661.83E-9						
1 Displacement	Grid 1	42.25000	35.50000	-3.50000	0.04298	-3.7250	-3.5156E-6
-0.031987	586.17E-9						
1 Displacement	Grid 1	43.25000	35.50000	-3.50000	0.03979	-3.7250	-2.8768E-6
-0.028426	520.93E-9						
1 Displacement	Grid 1	44.25000	35.50000	-3.50000	0.03680	-3.7250	-2.3682E-6
-0.025344	464.47E-9						
1 Displacement	Grid 1	45.25000	35.50000	-3.50000	0.03404	-3.7250	-1.9607E-6
-0.022670	415.48E-9						

1 Displacement Grid 1	46.25000	35.50000	-3.50000	0.03147	-3.7250	-1.6324E-6
-0.020342 372.82E-9						
1 Displacement Grid 1	0.25000	36.50000	-3.50000	0.03063	-3.7250	-1.5246E-6
-0.019575 358.76E-9						
1 Displacement Grid 1	1.25000	36.50000	-3.50000	0.03306	-3.7250	-1.8187E-6
-0.021731 398.26E-9						
1 Displacement Grid 1	2.25000	36.50000	-3.50000	0.03568	-3.7250	-2.1799E-6
-0.024189 443.30E-9						
1 Displacement Grid 1	3.25000	36.50000	-3.50000	0.03849	-3.7250	-2.6256E-6
-0.026999 494.78E-9						
1 Displacement Grid 1	4.25000	36.50000	-3.50000	0.04150	-3.7250	-3.1780E-6
-0.030218 553.75E-9						
1 Displacement Grid 1	5.25000	36.50000	-3.50000	0.04469	-3.7250	-3.8660E-6
-0.033913 621.45E-9						
1 Displacement Grid 1	6.25000	36.50000	-3.50000	0.04805	-3.7250	-4.7263E-6
-0.038163 699.30E-9						
1 Displacement Grid 1	7.25000	36.50000	-3.50000	0.05155	-3.7250	-5.8062E-6
-0.043056 788.93E-9						
1 Displacement Grid 1	8.25000	36.50000	-3.50000	0.05515	-3.7250	-7.1660E-6
-0.048694 892.19E-9						
1 Displacement Grid 1	9.25000	36.50000	-3.50000	0.05880	-3.7250	-8.8823E-6
-0.055188 1.0111E-6						
1 Displacement Grid 1	10.25000	36.50000	-3.50000	0.06240	-3.7250	-11.051E-6
-0.062659 1.1479E-6						
1 Displacement Grid 1	11.25000	36.50000	-3.50000	0.06587	-3.7250	-13.787E-6
-0.071230 1.3049E-6						
1 Displacement Grid 1	12.25000	36.50000	-3.50000	0.06908	-3.7250	-17.230E-6
-0.081013 1.4840E-6						
1 Displacement Grid 1	13.25000	36.50000	-3.50000	0.07190	-3.7250	-21.531E-6
-0.092096 1.6868E-6						
1 Displacement Grid 1	14.25000	36.50000	-3.50000	0.07420	-3.7250	-26.840E-6
-0.10451 1.9140E-6						
1 Displacement Grid 1	15.25000	36.50000	-3.50000	0.07586	-3.7250	-33.278E-6
-0.11820 2.1645E-6						
1 Displacement Grid 1	16.25000	36.50000	-3.50000	0.07680	-3.7250	-40.881E-6
-0.13295 2.4345E-6						
1 Displacement Grid 1	17.25000	36.50000	-3.50000	0.07702	-3.7250	-49.538E-6
-0.14840 2.7169E-6						
1 Displacement Grid 1	18.25000	36.50000	-3.50000	0.07657	-3.7250	-58.916E-6
-0.16390 3.0006E-6						
1 Displacement Grid 1	19.25000	36.50000	-3.50000	0.07564	-3.7250	-68.422E-6
-0.17865 3.2702E-6						
1 Displacement Grid 1	20.25000	36.50000	-3.50000	0.07446	-3.7250	-77.235E-6
-0.19163 3.5075E-6						
1 Displacement Grid 1	21.25000	36.50000	-3.50000	0.07333	-3.7250	-84.423E-6
-0.20182 3.6938E-6						
1 Displacement Grid 1	22.25000	36.50000	-3.50000	0.07251	-3.7250	-89.128E-6
-0.20831 3.8125E-6						
1 Displacement Grid 1	23.25000	36.50000	-3.50000	0.07220	-3.7250	-90.747E-6
-0.21048 3.8522E-6						
1 Displacement Grid 1	24.25000	36.50000	-3.50000	0.07245	-3.7250	-89.065E-6
-0.20812 3.8089E-6						
1 Displacement Grid 1	25.25000	36.50000	-3.50000	0.07320	-3.7250	-84.301E-6
-0.20145 3.6869E-6						
1 Displacement Grid 1	26.25000	36.50000	-3.50000	0.07426	-3.7250	-77.062E-6
-0.19109 3.4977E-6						
1 Displacement Grid 1	27.25000	36.50000	-3.50000	0.07537	-3.7250	-68.210E-6
-0.17797 3.2578E-6						
1 Displacement Grid 1	28.25000	36.50000	-3.50000	0.07624	-3.7250	-58.678E-6
-0.16312 2.9862E-6						
1 Displacement Grid 1	29.25000	36.50000	-3.50000	0.07663	-3.7250	-49.287E-6
-0.14754 2.7012E-6						
1 Displacement Grid 1	30.25000	36.50000	-3.50000	0.07637	-3.7250	-40.628E-6
-0.13205 2.4180E-6						
1 Displacement Grid 1	31.25000	36.50000	-3.50000	0.07538	-3.7250	-33.032E-6
-0.11728 2.1477E-6						
1 Displacement Grid 1	32.25000	36.50000	-3.50000	0.07368	-3.7250	-26.608E-6
-0.10360 1.8974E-6						
1 Displacement Grid 1	33.25000	36.50000	-3.50000	0.07135	-3.7250	-21.316E-6
-0.091212 1.6706E-6						
1 Displacement Grid 1	34.25000	36.50000	-3.50000	0.06851	-3.7250	-17.036E-6

-0.080168	1.4685E-6						
1 Displacement Grid 1	35.25000	36.50000	-3.50000	0.06529	-3.7250	-13.615E-6	
-0.070433	1.2903E-6						
1 Displacement Grid 1	36.25000	36.50000	-3.50000	0.06183	-3.7250	-10.899E-6	
-0.061916	1.1343E-6						
1 Displacement Grid 1	37.25000	36.50000	-3.50000	0.05823	-3.7250	-8.7505E-6	
-0.054501	998.54E-9						
1 Displacement Grid 1	38.25000	36.50000	-3.50000	0.05460	-3.7250	-7.0523E-6	
-0.048063	880.64E-9						
1 Displacement Grid 1	39.25000	36.50000	-3.50000	0.05101	-3.7250	-5.7086E-6	
-0.042480	778.38E-9						
1 Displacement Grid 1	40.25000	36.50000	-3.50000	0.04753	-3.7250	-4.6429E-6	
-0.037639	689.71E-9						
1 Displacement Grid 1	41.25000	36.50000	-3.50000	0.04419	-3.7250	-3.7951E-6	
-0.033439	612.77E-9						
1 Displacement Grid 1	42.25000	36.50000	-3.50000	0.04103	-3.7250	-3.1178E-6	
-0.029789	545.90E-9						
1 Displacement Grid 1	43.25000	36.50000	-3.50000	0.03805	-3.7250	-2.5744E-6	
-0.026612	487.69E-9						
1 Displacement Grid 1	44.25000	36.50000	-3.50000	0.03526	-3.7250	-2.1365E-6	
-0.023840	436.91E-9						
1 Displacement Grid 1	45.25000	36.50000	-3.50000	0.03267	-3.7250	-1.7819E-6	
-0.021416	392.50E-9						
1 Displacement Grid 1	46.25000	36.50000	-3.50000	0.03026	-3.7250	-1.4933E-6	
-0.019291	353.56E-9						
1 Displacement Grid 1	0.25000	37.50000	-3.50000	0.02937	-3.7250	-1.3873E-6	
-0.018504	339.15E-9						
1 Displacement Grid 1	1.25000	37.50000	-3.50000	0.03164	-3.7250	-1.6439E-6	
-0.020461	375.00E-9						
1 Displacement Grid 1	2.25000	37.50000	-3.50000	0.03408	-3.7250	-1.9559E-6	
-0.022678	415.61E-9						
1 Displacement Grid 1	3.25000	37.50000	-3.50000	0.03669	-3.7250	-2.3368E-6	
-0.025192	461.67E-9						
1 Displacement Grid 1	4.25000	37.50000	-3.50000	0.03948	-3.7250	-2.8033E-6	
-0.028048	514.01E-9						
1 Displacement Grid 1	5.25000	37.50000	-3.50000	0.04244	-3.7250	-3.3765E-6	
-0.031297	573.53E-9						
1 Displacement Grid 1	6.25000	37.50000	-3.50000	0.04555	-3.7250	-4.0829E-6	
-0.034996	641.28E-9						
1 Displacement Grid 1	7.25000	37.50000	-3.50000	0.04880	-3.7250	-4.9552E-6	
-0.039207	718.42E-9						
1 Displacement Grid 1	8.25000	37.50000	-3.50000	0.05215	-3.7250	-6.0339E-6	
-0.043999	806.20E-9						
1 Displacement Grid 1	9.25000	37.50000	-3.50000	0.05556	-3.7250	-7.3681E-6	
-0.049444	905.93E-9						
1 Displacement Grid 1	10.25000	37.50000	-3.50000	0.05897	-3.7250	-9.0164E-6	
-0.055614	1.0189E-6						
1 Displacement Grid 1	11.25000	37.50000	-3.50000	0.06230	-3.7250	-11.046E-6	
-0.062575	1.1464E-6						
1 Displacement Grid 1	12.25000	37.50000	-3.50000	0.06547	-3.7250	-13.530E-6	
-0.070378	1.2893E-6						
1 Displacement Grid 1	13.25000	37.50000	-3.50000	0.06840	-3.7250	-16.542E-6	
-0.079045	1.4479E-6						
1 Displacement Grid 1	14.25000	37.50000	-3.50000	0.07098	-3.7250	-20.142E-6	
-0.088548	1.6219E-6						
1 Displacement Grid 1	15.25000	37.50000	-3.50000	0.07314	-3.7250	-24.362E-6	
-0.098794	1.8094E-6						
1 Displacement Grid 1	16.25000	37.50000	-3.50000	0.07481	-3.7250	-29.177E-6	
-0.10959	2.0070E-6						
1 Displacement Grid 1	17.25000	37.50000	-3.50000	0.07597	-3.7250	-34.473E-6	
-0.12063	2.2090E-6						
1 Displacement Grid 1	18.25000	37.50000	-3.50000	0.07665	-3.7250	-40.029E-6	
-0.13148	2.4075E-6						
1 Displacement Grid 1	19.25000	37.50000	-3.50000	0.07693	-3.7250	-45.505E-6	
-0.14159	2.5924E-6						
1 Displacement Grid 1	20.25000	37.50000	-3.50000	0.07693	-3.7250	-50.468E-6	
-0.15034	2.7525E-6						
1 Displacement Grid 1	21.25000	37.50000	-3.50000	0.07678	-3.7250	-54.448E-6	
-0.15712	2.8766E-6						
1 Displacement Grid 1	22.25000	37.50000	-3.50000	0.07661	-3.7250	-57.024E-6	
-0.16140	2.9549E-6						

1 Displacement Grid 1	23.25000	37.50000	-3.50000	0.07652	-3.7250	-57.903E-6
-0.16282 2.9808E-6						
1 Displacement Grid 1	24.25000	37.50000	-3.50000	0.07655	-3.7250	-56.982E-6
-0.16126 2.9522E-6						
1 Displacement Grid 1	25.25000	37.50000	-3.50000	0.07665	-3.7250	-54.367E-6
-0.15684 2.8715E-6						
1 Displacement Grid 1	26.25000	37.50000	-3.50000	0.07674	-3.7250	-50.353E-6
-0.14994 2.7451E-6						
1 Displacement Grid 1	27.25000	37.50000	-3.50000	0.07668	-3.7250	-45.363E-6
-0.14108 2.5831E-6						
1 Displacement Grid 1	28.25000	37.50000	-3.50000	0.07635	-3.7250	-39.868E-6
-0.13088 2.3966E-6						
1 Displacement Grid 1	29.25000	37.50000	-3.50000	0.07561	-3.7250	-34.301E-6
-0.11997 2.1970E-6						
1 Displacement Grid 1	30.25000	37.50000	-3.50000	0.07441	-3.7250	-29.000E-6
-0.10889 1.9942E-6						
1 Displacement Grid 1	31.25000	37.50000	-3.50000	0.07270	-3.7250	-24.188E-6
-0.098077 1.7963E-6						
1 Displacement Grid 1	32.25000	37.50000	-3.50000	0.07051	-3.7250	-19.975E-6
-0.087830 1.6087E-6						
1 Displacement Grid 1	33.25000	37.50000	-3.50000	0.06791	-3.7250	-16.385E-6
-0.078338 1.4350E-6						
1 Displacement Grid 1	34.25000	37.50000	-3.50000	0.06497	-3.7250	-13.386E-6
-0.069695 1.2768E-6						
1 Displacement Grid 1	35.25000	37.50000	-3.50000	0.06178	-3.7250	-10.916E-6
-0.061924 1.1345E-6						
1 Displacement Grid 1	36.25000	37.50000	-3.50000	0.05845	-3.7250	-8.9004E-6
-0.055000 1.0077E-6						
1 Displacement Grid 1	37.25000	37.50000	-3.50000	0.05505	-3.7250	-7.2657E-6
-0.048870 895.41E-9						
1 Displacement Grid 1	38.25000	37.50000	-3.50000	0.05165	-3.7250	-5.9442E-6
-0.043466 796.44E-9						
1 Displacement Grid 1	39.25000	37.50000	-3.50000	0.04831	-3.7250	-4.8772E-6
-0.038716 709.42E-9						
1 Displacement Grid 1	40.25000	37.50000	-3.50000	0.04508	-3.7250	-4.0154E-6
-0.034545 633.03E-9						
1 Displacement Grid 1	41.25000	37.50000	-3.50000	0.04199	-3.7250	-3.3183E-6
-0.030885 565.98E-9						
1 Displacement Grid 1	42.25000	37.50000	-3.50000	0.03905	-3.7250	-2.7533E-6
-0.027672 507.13E-9						
1 Displacement Grid 1	43.25000	37.50000	-3.50000	0.03629	-3.7250	-2.2939E-6
-0.024850 455.42E-9						
1 Displacement Grid 1	44.25000	37.50000	-3.50000	0.03370	-3.7250	-1.9192E-6
-0.022367 409.93E-9						
1 Displacement Grid 1	45.25000	37.50000	-3.50000	0.03128	-3.7250	-1.6124E-6
-0.020180 369.84E-9						
1 Displacement Grid 1	46.25000	37.50000	-3.50000	0.02903	-3.7250	-1.3603E-6
-0.018249 334.47E-9						
1 Displacement Grid 1	0.25000	38.50000	-3.50000	0.02810	-3.7250	-1.2579E-6
-0.017455 319.92E-9						
1 Displacement Grid 1	1.25000	38.50000	-3.50000	0.03021	-3.7250	-1.4806E-6
-0.019226 352.36E-9						
1 Displacement Grid 1	2.25000	38.50000	-3.50000	0.03248	-3.7250	-1.7488E-6
-0.021216 388.84E-9						
1 Displacement Grid 1	3.25000	38.50000	-3.50000	0.03490	-3.7250	-2.0726E-6
-0.023458 429.91E-9						
1 Displacement Grid 1	4.25000	38.50000	-3.50000	0.03748	-3.7250	-2.4646E-6
-0.025984 476.19E-9						
1 Displacement Grid 1	5.25000	38.50000	-3.50000	0.04020	-3.7250	-2.9401E-6
-0.028831 528.36E-9						
1 Displacement Grid 1	6.25000	38.50000	-3.50000	0.04307	-3.7250	-3.5177E-6
-0.032041 587.16E-9						
1 Displacement Grid 1	7.25000	38.50000	-3.50000	0.04606	-3.7250	-4.2199E-6
-0.035656 653.39E-9						
1 Displacement Grid 1	8.25000	38.50000	-3.50000	0.04915	-3.7250	-5.0734E-6
-0.039722 727.86E-9						
1 Displacement Grid 1	9.25000	38.50000	-3.50000	0.05231	-3.7250	-6.1093E-6
-0.044283 811.40E-9						
1 Displacement Grid 1	10.25000	38.50000	-3.50000	0.05548	-3.7250	-7.3625E-6
-0.049378 904.72E-9						
1 Displacement Grid 1	11.25000	38.50000	-3.50000	0.05862	-3.7250	-8.8710E-6

-0.055040	1.0084E-6						
1 Displacement Grid 1	12.25000	38.50000	-3.50000	0.06166	-3.7250	-10.672E-6	
-0.061282	1.1227E-6						
1 Displacement Grid 1	13.25000	38.50000	-3.50000	0.06453	-3.7250	-12.800E-6	
-0.068094	1.2474E-6						
1 Displacement Grid 1	14.25000	38.50000	-3.50000	0.06718	-3.7250	-15.273E-6	
-0.075426	1.3817E-6						
1 Displacement Grid 1	15.25000	38.50000	-3.50000	0.06952	-3.7250	-18.090E-6	
-0.083180	1.5236E-6						
1 Displacement Grid 1	16.25000	38.50000	-3.50000	0.07152	-3.7250	-21.211E-6	
-0.091192	1.6703E-6						
1 Displacement Grid 1	17.25000	38.50000	-3.50000	0.07314	-3.7250	-24.549E-6	
-0.099230	1.8174E-6						
1 Displacement Grid 1	18.25000	38.50000	-3.50000	0.07438	-3.7250	-27.960E-6	
-0.10699	1.9594E-6						
1 Displacement Grid 1	19.25000	38.50000	-3.50000	0.07528	-3.7250	-31.245E-6	
-0.11410	2.0895E-6						
1 Displacement Grid 1	20.25000	38.50000	-3.50000	0.07587	-3.7250	-34.166E-6	
-0.12017	2.2006E-6						
1 Displacement Grid 1	21.25000	38.50000	-3.50000	0.07622	-3.7250	-36.475E-6	
-0.12483	2.2858E-6						
1 Displacement Grid 1	22.25000	38.50000	-3.50000	0.07639	-3.7250	-37.955E-6	
-0.12774	2.3391E-6						
1 Displacement Grid 1	23.25000	38.50000	-3.50000	0.07642	-3.7250	-38.456E-6	
-0.12870	2.3567E-6						
1 Displacement Grid 1	24.25000	38.50000	-3.50000	0.07633	-3.7250	-37.927E-6	
-0.12763	2.3371E-6						
1 Displacement Grid 1	25.25000	38.50000	-3.50000	0.07610	-3.7250	-36.421E-6	
-0.12461	2.2819E-6						
1 Displacement Grid 1	26.25000	38.50000	-3.50000	0.07569	-3.7250	-34.088E-6	
-0.11987	2.1950E-6						
1 Displacement Grid 1	27.25000	38.50000	-3.50000	0.07505	-3.7250	-31.148E-6	
-0.11371	2.0824E-6						
1 Displacement Grid 1	28.25000	38.50000	-3.50000	0.07410	-3.7250	-27.849E-6	
-0.10653	1.9510E-6						
1 Displacement Grid 1	29.25000	38.50000	-3.50000	0.07281	-3.7250	-24.429E-6	
-0.098721	1.8081E-6						
1 Displacement Grid 1	30.25000	38.50000	-3.50000	0.07115	-3.7250	-21.086E-6	
-0.090648	1.6603E-6						
1 Displacement Grid 1	31.25000	38.50000	-3.50000	0.06912	-3.7250	-17.965E-6	
-0.082615	1.5133E-6						
1 Displacement Grid 1	32.25000	38.50000	-3.50000	0.06675	-3.7250	-15.152E-6	
-0.074853	1.3712E-6						
1 Displacement Grid 1	33.25000	38.50000	-3.50000	0.06409	-3.7250	-12.685E-6	
-0.067525	1.2370E-6						
1 Displacement Grid 1	34.25000	38.50000	-3.50000	0.06120	-3.7250	-10.565E-6	
-0.060726	1.1125E-6						
1 Displacement Grid 1	35.25000	38.50000	-3.50000	0.05815	-3.7250	-8.7725E-6	
-0.054504	998.60E-9						
1 Displacement Grid 1	36.25000	38.50000	-3.50000	0.05501	-3.7250	-7.2733E-6	
-0.048868	895.38E-9						
1 Displacement Grid 1	37.25000	38.50000	-3.50000	0.05185	-3.7250	-6.0294E-6	
-0.043801	802.58E-9						
1 Displacement Grid 1	38.25000	38.50000	-3.50000	0.04870	-3.7250	-5.0026E-6	
-0.039271	719.61E-9						
1 Displacement Grid 1	39.25000	38.50000	-3.50000	0.04562	-3.7250	-4.1575E-6	
-0.035237	645.70E-9						
1 Displacement Grid 1	40.25000	38.50000	-3.50000	0.04265	-3.7250	-3.4630E-6	
-0.031653	580.05E-9						
1 Displacement Grid 1	41.25000	38.50000	-3.50000	0.03979	-3.7250	-2.8924E-6	
-0.028474	521.80E-9						
1 Displacement Grid 1	42.25000	38.50000	-3.50000	0.03709	-3.7250	-2.4232E-6	
-0.025655	470.17E-9						
1 Displacement Grid 1	43.25000	38.50000	-3.50000	0.03453	-3.7250	-2.0367E-6	
-0.023157	424.39E-9						
1 Displacement Grid 1	44.25000	38.50000	-3.50000	0.03213	-3.7250	-1.7177E-6	
-0.020941	383.79E-9						
1 Displacement Grid 1	45.25000	38.50000	-3.50000	0.02988	-3.7250	-1.4537E-6	
-0.018974	347.75E-9						
1 Displacement Grid 1	46.25000	38.50000	-3.50000	0.02779	-3.7250	-1.2347E-6	
-0.017226	315.71E-9						



1 Displacement Grid 1	0.25000	39.50000	-3.50000	0.02684	-3.7250	-1.1370E-6
-0.016436 301.24E-9						
1 Displacement Grid 1	1.25000	39.50000	-3.50000	0.02880	-3.7250	-1.3295E-6
-0.018032 330.49E-9						
1 Displacement Grid 1	2.25000	39.50000	-3.50000	0.03089	-3.7250	-1.5591E-6
-0.019815 363.17E-9						
1 Displacement Grid 1	3.25000	39.50000	-3.50000	0.03312	-3.7250	-1.8333E-6
-0.021808 399.69E-9						
1 Displacement Grid 1	4.25000	39.50000	-3.50000	0.03549	-3.7250	-2.1615E-6
-0.024036 440.51E-9						
1 Displacement Grid 1	5.25000	39.50000	-3.50000	0.03800	-3.7250	-2.5546E-6
-0.026526 486.12E-9						
1 Displacement Grid 1	6.25000	39.50000	-3.50000	0.04063	-3.7250	-3.0256E-6
-0.029306 537.05E-9						
1 Displacement Grid 1	7.25000	39.50000	-3.50000	0.04336	-3.7250	-3.5897E-6
-0.032405 593.83E-9						
1 Displacement Grid 1	8.25000	39.50000	-3.50000	0.04619	-3.7250	-4.2643E-6
-0.035851 656.96E-9						
1 Displacement Grid 1	9.25000	39.50000	-3.50000	0.04909	-3.7250	-5.0685E-6
-0.039671 726.92E-9						
1 Displacement Grid 1	10.25000	39.50000	-3.50000	0.05201	-3.7250	-6.0231E-6
-0.043883 804.08E-9						
1 Displacement Grid 1	11.25000	39.50000	-3.50000	0.05492	-3.7250	-7.1486E-6
-0.048498 888.60E-9						
1 Displacement Grid 1	12.25000	39.50000	-3.50000	0.05776	-3.7250	-8.4634E-6
-0.053511 980.41E-9						
1 Displacement Grid 1	13.25000	39.50000	-3.50000	0.06049	-3.7250	-9.9803E-6
-0.058896 1.0790E-6						
1 Displacement Grid 1	14.25000	39.50000	-3.50000	0.06306	-3.7250	-11.702E-6
-0.064600 1.1835E-6						
1 Displacement Grid 1	15.25000	39.50000	-3.50000	0.06540	-3.7250	-13.614E-6
-0.070531 1.2921E-6						
1 Displacement Grid 1	16.25000	39.50000	-3.50000	0.06748	-3.7250	-15.682E-6
-0.076560 1.4024E-6						
1 Displacement Grid 1	17.25000	39.50000	-3.50000	0.06927	-3.7250	-17.842E-6
-0.082510 1.5114E-6						
1 Displacement Grid 1	18.25000	39.50000	-3.50000	0.07075	-3.7250	-20.002E-6
-0.088166 1.6149E-6						
1 Displacement Grid 1	19.25000	39.50000	-3.50000	0.07191	-3.7250	-22.043E-6
-0.093282 1.7085E-6						
1 Displacement Grid 1	20.25000	39.50000	-3.50000	0.07278	-3.7250	-23.828E-6
-0.097601 1.7876E-6						
1 Displacement Grid 1	21.25000	39.50000	-3.50000	0.07336	-3.7250	-25.222E-6
-0.10088 1.8476E-6						
1 Displacement Grid 1	22.25000	39.50000	-3.50000	0.07369	-3.7250	-26.108E-6
-0.10292 1.8849E-6						
1 Displacement Grid 1	23.25000	39.50000	-3.50000	0.07378	-3.7250	-26.406E-6
-0.10359 1.8971E-6						
1 Displacement Grid 1	24.25000	39.50000	-3.50000	0.07364	-3.7250	-26.088E-6
-0.10284 1.8834E-6						
1 Displacement Grid 1	25.25000	39.50000	-3.50000	0.07326	-3.7250	-25.184E-6
-0.10072 1.8446E-6						
1 Displacement Grid 1	26.25000	39.50000	-3.50000	0.07262	-3.7250	-23.774E-6
-0.097365 1.7833E-6						
1 Displacement Grid 1	27.25000	39.50000	-3.50000	0.07171	-3.7250	-21.975E-6
-0.092981 1.7030E-6						
1 Displacement Grid 1	28.25000	39.50000	-3.50000	0.07050	-3.7250	-19.924E-6
-0.087810 1.6084E-6						
1 Displacement Grid 1	29.25000	39.50000	-3.50000	0.06898	-3.7250	-17.757E-6
-0.082111 1.5041E-6						
1 Displacement Grid 1	30.25000	39.50000	-3.50000	0.06716	-3.7250	-15.593E-6
-0.076130 1.3946E-6						
1 Displacement Grid 1	31.25000	39.50000	-3.50000	0.06505	-3.7250	-13.524E-6
-0.070081 1.2838E-6						
1 Displacement Grid 1	32.25000	39.50000	-3.50000	0.06268	-3.7250	-11.613E-6
-0.064140 1.1750E-6						
1 Displacement Grid 1	33.25000	39.50000	-3.50000	0.06010	-3.7250	-9.8946E-6
-0.058435 1.0706E-6						
1 Displacement Grid 1	34.25000	39.50000	-3.50000	0.05736	-3.7250	-8.3825E-6
-0.053057 972.08E-9						
1 Displacement Grid 1	35.25000	39.50000	-3.50000	0.05450	-3.7250	-7.0734E-6

-0.048056	880.50E-9						
1 Displacement	Grid 1	36.25000	39.50000	-3.50000	0.05159	-3.7250	-5.9542E-6
-0.043458	796.29E-9						
1 Displacement	Grid 1	37.25000	39.50000	-3.50000	0.04868	-3.7250	-5.0060E-6
-0.039266	719.51E-9						
1 Displacement	Grid 1	38.25000	39.50000	-3.50000	0.04579	-3.7250	-4.2081E-6
-0.035469	649.96E-9						
1 Displacement	Grid 1	39.25000	39.50000	-3.50000	0.04297	-3.7250	-3.5397E-6
-0.032046	587.26E-9						
1 Displacement	Grid 1	40.25000	39.50000	-3.50000	0.04024	-3.7250	-2.9813E-6
-0.028971	530.92E-9						
1 Displacement	Grid 1	41.25000	39.50000	-3.50000	0.03763	-3.7250	-2.5155E-6
-0.026215	480.43E-9						
1 Displacement	Grid 1	42.25000	39.50000	-3.50000	0.03514	-3.7250	-2.1272E-6
-0.023749	435.23E-9						
1 Displacement	Grid 1	43.25000	39.50000	-3.50000	0.03279	-3.7250	-1.8032E-6
-0.021543	394.82E-9						
1 Displacement	Grid 1	44.25000	39.50000	-3.50000	0.03057	-3.7250	-1.5328E-6
-0.019571	358.69E-9						
1 Displacement	Grid 1	45.25000	39.50000	-3.50000	0.02849	-3.7250	-1.3066E-6
-0.017807	326.37E-9						
1 Displacement	Grid 1	46.25000	39.50000	-3.50000	0.02655	-3.7250	-1.1171E-6
-0.016230	297.46E-9						
1 Displacement	Grid 1	0.25000	40.50000	-3.50000	0.02559	-3.7250	-1.0252E-6
-0.015452	283.22E-9						
1 Displacement	Grid 1	1.25000	40.50000	-3.50000	0.02740	-3.7250	-1.1909E-6
-0.016888	309.53E-9						
1 Displacement	Grid 1	2.25000	40.50000	-3.50000	0.02933	-3.7250	-1.3867E-6
-0.018482	338.73E-9						
1 Displacement	Grid 1	3.25000	40.50000	-3.50000	0.03138	-3.7250	-1.6183E-6
-0.020250	371.13E-9						
1 Displacement	Grid 1	4.25000	40.50000	-3.50000	0.03355	-3.7250	-1.8923E-6
-0.022211	407.06E-9						
1 Displacement	Grid 1	5.25000	40.50000	-3.50000	0.03584	-3.7250	-2.2165E-6
-0.024384	446.88E-9						
1 Displacement	Grid 1	6.25000	40.50000	-3.50000	0.03824	-3.7250	-2.6000E-6
-0.026789	490.94E-9						
1 Displacement	Grid 1	7.25000	40.50000	-3.50000	0.04074	-3.7250	-3.0527E-6
-0.029444	539.57E-9						
1 Displacement	Grid 1	8.25000	40.50000	-3.50000	0.04331	-3.7250	-3.5859E-6
-0.032365	593.09E-9						
1 Displacement	Grid 1	9.25000	40.50000	-3.50000	0.04595	-3.7250	-4.2112E-6
-0.035566	651.73E-9						
1 Displacement	Grid 1	10.25000	40.50000	-3.50000	0.04861	-3.7250	-4.9404E-6
-0.039054	715.63E-9						
1 Displacement	Grid 1	11.25000	40.50000	-3.50000	0.05127	-3.7250	-5.7842E-6
-0.042827	784.74E-9						
1 Displacement	Grid 1	12.25000	40.50000	-3.50000	0.05389	-3.7250	-6.7507E-6
-0.046872	858.81E-9						
1 Displacement	Grid 1	13.25000	40.50000	-3.50000	0.05642	-3.7250	-7.8429E-6
-0.051156	937.28E-9						
1 Displacement	Grid 1	14.25000	40.50000	-3.50000	0.05883	-3.7250	-9.0566E-6
-0.055629	1.0192E-6						
1 Displacement	Grid 1	15.25000	40.50000	-3.50000	0.06107	-3.7250	-10.377E-6
-0.060214	1.1031E-6						
1 Displacement	Grid 1	16.25000	40.50000	-3.50000	0.06310	-3.7250	-11.775E-6
-0.064807	1.1873E-6						
1 Displacement	Grid 1	17.25000	40.50000	-3.50000	0.06488	-3.7250	-13.206E-6
-0.069279	1.2691E-6						
1 Displacement	Grid 1	18.25000	40.50000	-3.50000	0.06641	-3.7250	-14.611E-6
-0.073476	1.3460E-6						
1 Displacement	Grid 1	19.25000	40.50000	-3.50000	0.06765	-3.7250	-15.917E-6
-0.077230	1.4147E-6						
1 Displacement	Grid 1	20.25000	40.50000	-3.50000	0.06860	-3.7250	-17.044E-6
-0.080367	1.4721E-6						
1 Displacement	Grid 1	21.25000	40.50000	-3.50000	0.06928	-3.7250	-17.916E-6
-0.082731	1.5154E-6						
1 Displacement	Grid 1	22.25000	40.50000	-3.50000	0.06967	-3.7250	-18.465E-6
-0.084193	1.5422E-6						
1 Displacement	Grid 1	23.25000	40.50000	-3.50000	0.06978	-3.7250	-18.648E-6
-0.084668	1.5509E-6						

1 Displacement Grid 1	24.25000	40.50000	-3.50000	0.06962	-3.7250	-18.451E-6
-0.084128 1.5410E-6						
1 Displacement Grid 1	25.25000	40.50000	-3.50000	0.06918	-3.7250	-17.889E-6
-0.082605 1.5131E-6						
1 Displacement Grid 1	26.25000	40.50000	-3.50000	0.06847	-3.7250	-17.006E-6
-0.080183 1.4688E-6						
1 Displacement Grid 1	27.25000	40.50000	-3.50000	0.06747	-3.7250	-15.869E-6
-0.076994 1.4104E-6						
1 Displacement Grid 1	28.25000	40.50000	-3.50000	0.06618	-3.7250	-14.555E-6
-0.073197 1.3409E-6						
1 Displacement Grid 1	29.25000	40.50000	-3.50000	0.06463	-3.7250	-13.144E-6
-0.068964 1.2634E-6						
1 Displacement Grid 1	30.25000	40.50000	-3.50000	0.06281	-3.7250	-11.710E-6
-0.064465 1.1810E-6						
1 Displacement Grid 1	31.25000	40.50000	-3.50000	0.06076	-3.7250	-10.310E-6
-0.059852 1.0965E-6						
1 Displacement Grid 1	32.25000	40.50000	-3.50000	0.05850	-3.7250	-8.9906E-6
-0.055257 1.0124E-6						
1 Displacement Grid 1	33.25000	40.50000	-3.50000	0.05608	-3.7250	-7.7786E-6
-0.050780 930.39E-9						
1 Displacement Grid 1	34.25000	40.50000	-3.50000	0.05353	-3.7250	-6.6892E-6
-0.046498 851.97E-9						
1 Displacement Grid 1	35.25000	40.50000	-3.50000	0.05090	-3.7250	-5.7265E-6
-0.042461 778.03E-9						
1 Displacement Grid 1	36.25000	40.50000	-3.50000	0.04824	-3.7250	-4.8868E-6
-0.038699 709.12E-9						
1 Displacement Grid 1	37.25000	40.50000	-3.50000	0.04558	-3.7250	-4.1620E-6
-0.035225 645.48E-9						
1 Displacement Grid 1	38.25000	40.50000	-3.50000	0.04295	-3.7250	-3.5412E-6
-0.032040 587.14E-9						
1 Displacement Grid 1	39.25000	40.50000	-3.50000	0.04038	-3.7250	-3.0125E-6
-0.029136 533.94E-9						
1 Displacement Grid 1	40.25000	40.50000	-3.50000	0.03790	-3.7250	-2.5639E-6
-0.026500 485.64E-9						
1 Displacement Grid 1	41.25000	40.50000	-3.50000	0.03551	-3.7250	-2.1844E-6
-0.024114 441.93E-9						
1 Displacement Grid 1	42.25000	40.50000	-3.50000	0.03323	-3.7250	-1.8638E-6
-0.021959 402.44E-9						
1 Displacement Grid 1	43.25000	40.50000	-3.50000	0.03107	-3.7250	-1.5931E-6
-0.020016 366.84E-9						
1 Displacement Grid 1	44.25000	40.50000	-3.50000	0.02904	-3.7250	-1.3645E-6
-0.018265 334.75E-9						
1 Displacement Grid 1	45.25000	40.50000	-3.50000	0.02712	-3.7250	-1.1714E-6
-0.016688 305.85E-9						
1 Displacement Grid 1	46.25000	40.50000	-3.50000	0.02533	-3.7250	-1.0080E-6
-0.015267 279.82E-9						
1 Displacement Grid 1	0.25000	41.50000	-3.50000	0.02436	-3.7250	-922.35E-9
-0.014509 265.94E-9						
1 Displacement Grid 1	1.25000	41.50000	-3.50000	0.02603	-3.7250	-1.0647E-6
-0.015798 289.56E-9						
1 Displacement Grid 1	2.25000	41.50000	-3.50000	0.02780	-3.7250	-1.2313E-6
-0.017220 315.60E-9						
1 Displacement Grid 1	3.25000	41.50000	-3.50000	0.02968	-3.7250	-1.4263E-6
-0.018786 344.30E-9						
1 Displacement Grid 1	4.25000	41.50000	-3.50000	0.03167	-3.7250	-1.6547E-6
-0.020510 375.89E-9						
1 Displacement Grid 1	5.25000	41.50000	-3.50000	0.03375	-3.7250	-1.9217E-6
-0.022405 410.61E-9						
1 Displacement Grid 1	6.25000	41.50000	-3.50000	0.03593	-3.7250	-2.2336E-6
-0.024483 448.70E-9						
1 Displacement Grid 1	7.25000	41.50000	-3.50000	0.03820	-3.7250	-2.5970E-6
-0.026757 490.36E-9						
1 Displacement Grid 1	8.25000	41.50000	-3.50000	0.04053	-3.7250	-3.0189E-6
-0.029235 535.75E-9						
1 Displacement Grid 1	9.25000	41.50000	-3.50000	0.04291	-3.7250	-3.5062E-6
-0.031922 584.98E-9						
1 Displacement Grid 1	10.25000	41.50000	-3.50000	0.04533	-3.7250	-4.0654E-6
-0.034817 638.02E-9						
1 Displacement Grid 1	11.25000	41.50000	-3.50000	0.04774	-3.7250	-4.7015E-6
-0.037914 694.74E-9						
1 Displacement Grid 1	12.25000	41.50000	-3.50000	0.05012	-3.7250	-5.4173E-6

-0.041192	754.79E-9						
1 Displacement Grid 1		13.25000	41.50000	-3.50000	0.05243	-3.7250	-6.2117E-6
-0.044622	817.62E-9						
1 Displacement Grid 1		14.25000	41.50000	-3.50000	0.05464	-3.7250	-7.0783E-6
-0.048159	882.39E-9						
1 Displacement Grid 1		15.25000	41.50000	-3.50000	0.05671	-3.7250	-8.0036E-6
-0.051738	947.94E-9						
1 Displacement Grid 1		16.25000	41.50000	-3.50000	0.05861	-3.7250	-8.9659E-6
-0.055280	1.0128E-6						
1 Displacement Grid 1		17.25000	41.50000	-3.50000	0.06031	-3.7250	-9.9347E-6
-0.058689	1.0752E-6						
1 Displacement Grid 1		18.25000	41.50000	-3.50000	0.06177	-3.7250	-10.871E-6
-0.061853	1.1332E-6						
1 Displacement Grid 1		19.25000	41.50000	-3.50000	0.06299	-3.7250	-11.729E-6
-0.064655	1.1845E-6						
1 Displacement Grid 1		20.25000	41.50000	-3.50000	0.06394	-3.7250	-12.462E-6
-0.066978	1.2270E-6						
1 Displacement Grid 1		21.25000	41.50000	-3.50000	0.06462	-3.7250	-13.023E-6
-0.068717	1.2589E-6						
1 Displacement Grid 1		22.25000	41.50000	-3.50000	0.06502	-3.7250	-13.374E-6
-0.069787	1.2784E-6						
1 Displacement Grid 1		23.25000	41.50000	-3.50000	0.06514	-3.7250	-13.491E-6
-0.070133	1.2848E-6						
1 Displacement Grid 1		24.25000	41.50000	-3.50000	0.06497	-3.7250	-13.365E-6
-0.069736	1.2775E-6						
1 Displacement Grid 1		25.25000	41.50000	-3.50000	0.06453	-3.7250	-13.004E-6
-0.068618	1.2570E-6						
1 Displacement Grid 1		26.25000	41.50000	-3.50000	0.06382	-3.7250	-12.435E-6
-0.066833	1.2244E-6						
1 Displacement Grid 1		27.25000	41.50000	-3.50000	0.06283	-3.7250	-11.695E-6
-0.064468	1.1811E-6						
1 Displacement Grid 1		28.25000	41.50000	-3.50000	0.06158	-3.7250	-10.831E-6
-0.061631	1.1291E-6						
1 Displacement Grid 1		29.25000	41.50000	-3.50000	0.06008	-3.7250	-9.8898E-6
-0.058437	1.0706E-6						
1 Displacement Grid 1		30.25000	41.50000	-3.50000	0.05836	-3.7250	-8.9181E-6
-0.055005	1.0078E-6						
1 Displacement Grid 1		31.25000	41.50000	-3.50000	0.05644	-3.7250	-7.9542E-6
-0.051446	942.59E-9						
1 Displacement Grid 1		32.25000	41.50000	-3.50000	0.05435	-3.7250	-7.0287E-6
-0.047856	876.83E-9						
1 Displacement Grid 1		33.25000	41.50000	-3.50000	0.05212	-3.7250	-6.1630E-6
-0.044314	811.97E-9						
1 Displacement Grid 1		34.25000	41.50000	-3.50000	0.04980	-3.7250	-5.3703E-6
-0.040883	749.13E-9						
1 Displacement Grid 1		35.25000	41.50000	-3.50000	0.04741	-3.7250	-4.6568E-6
-0.037608	689.14E-9						
1 Displacement Grid 1		36.25000	41.50000	-3.50000	0.04500	-3.7250	-4.0235E-6
-0.034519	632.56E-9						
1 Displacement Grid 1		37.25000	41.50000	-3.50000	0.04259	-3.7250	-3.4674E-6
-0.031634	579.69E-9						
1 Displacement Grid 1		38.25000	41.50000	-3.50000	0.04021	-3.7250	-2.9832E-6
-0.028958	530.68E-9						
1 Displacement Grid 1		39.25000	41.50000	-3.50000	0.03788	-3.7250	-2.5646E-6
-0.026494	485.53E-9						
1 Displacement Grid 1		40.25000	41.50000	-3.50000	0.03562	-3.7250	-2.2043E-6
-0.024234	444.13E-9						
1 Displacement Grid 1		41.25000	41.50000	-3.50000	0.03345	-3.7250	-1.8953E-6
-0.022169	406.30E-9						
1 Displacement Grid 1		42.25000	41.50000	-3.50000	0.03138	-3.7250	-1.6310E-6
-0.020289	371.84E-9						
1 Displacement Grid 1		43.25000	41.50000	-3.50000	0.02940	-3.7250	-1.4053E-6
-0.018579	340.52E-9						
1 Displacement Grid 1		44.25000	41.50000	-3.50000	0.02754	-3.7250	-1.2126E-6
-0.017027	312.08E-9						
1 Displacement Grid 1		45.25000	41.50000	-3.50000	0.02578	-3.7250	-1.0481E-6
-0.015620	286.28E-9						
1 Displacement Grid 1		46.25000	41.50000	-3.50000	0.02412	-3.7250	-907.65E-9
-0.014343	262.90E-9						
1 Displacement Grid 1		0.25000	42.50000	-3.50000	0.02316	-3.7250	-828.46E-9
-0.013610	249.46E-9						

1 Displacement Grid 1	1.25000	42.50000	-3.50000	0.02469	-3.7250	-950.42E-9
-0.014766 270.64E-9						
1 Displacement Grid 1	2.25000	42.50000	-3.50000	0.02632	-3.7250	-1.0919E-6
-0.016031 293.83E-9						
1 Displacement Grid 1	3.25000	42.50000	-3.50000	0.02804	-3.7250	-1.2559E-6
-0.017417 319.21E-9						
1 Displacement Grid 1	4.25000	42.50000	-3.50000	0.02985	-3.7250	-1.4459E-6
-0.018931 346.96E-9						
1 Displacement Grid 1	5.25000	42.50000	-3.50000	0.03174	-3.7250	-1.6658E-6
-0.020583 377.23E-9						
1 Displacement Grid 1	6.25000	42.50000	-3.50000	0.03372	-3.7250	-1.9195E-6
-0.022380 410.15E-9						
1 Displacement Grid 1	7.25000	42.50000	-3.50000	0.03577	-3.7250	-2.2114E-6
-0.024328 445.86E-9						
1 Displacement Grid 1	8.25000	42.50000	-3.50000	0.03787	-3.7250	-2.5459E-6
-0.026432 484.41E-9						
1 Displacement Grid 1	9.25000	42.50000	-3.50000	0.04002	-3.7250	-2.9267E-6
-0.028692 525.80E-9						
1 Displacement Grid 1	10.25000	42.50000	-3.50000	0.04219	-3.7250	-3.3574E-6
-0.031103 569.96E-9						
1 Displacement Grid 1	11.25000	42.50000	-3.50000	0.04436	-3.7250	-3.8399E-6
-0.033653 616.69E-9						
1 Displacement Grid 1	12.25000	42.50000	-3.50000	0.04650	-3.7250	-4.3742E-6
-0.036324 665.62E-9						
1 Displacement Grid 1	13.25000	42.50000	-3.50000	0.04859	-3.7250	-4.9577E-6
-0.039089 716.26E-9						
1 Displacement Grid 1	14.25000	42.50000	-3.50000	0.05059	-3.7250	-5.5840E-6
-0.041907 767.88E-9						
1 Displacement Grid 1	15.25000	42.50000	-3.50000	0.05247	-3.7250	-6.2420E-6
-0.044728 819.55E-9						
1 Displacement Grid 1	16.25000	42.50000	-3.50000	0.05421	-3.7250	-6.9158E-6
-0.047490 870.14E-9						
1 Displacement Grid 1	17.25000	42.50000	-3.50000	0.05577	-3.7250	-7.5844E-6
-0.050121 918.32E-9						
1 Displacement Grid 1	18.25000	42.50000	-3.50000	0.05712	-3.7250	-8.2219E-6
-0.052540 962.63E-9						
1 Displacement Grid 1	19.25000	42.50000	-3.50000	0.05826	-3.7250	-8.7995E-6
-0.054665 1.0015E-6						
1 Displacement Grid 1	20.25000	42.50000	-3.50000	0.05915	-3.7250	-9.2876E-6
-0.056415 1.0336E-6						
1 Displacement Grid 1	21.25000	42.50000	-3.50000	0.05979	-3.7250	-9.6585E-6
-0.057717 1.0574E-6						
1 Displacement Grid 1	22.25000	42.50000	-3.50000	0.06018	-3.7250	-9.8895E-6
-0.058515 1.0720E-6						
1 Displacement Grid 1	23.25000	42.50000	-3.50000	0.06029	-3.7250	-9.9659E-6
-0.058771 1.0767E-6						
1 Displacement Grid 1	24.25000	42.50000	-3.50000	0.06014	-3.7250	-9.8825E-6
-0.058475 1.0713E-6						
1 Displacement Grid 1	25.25000	42.50000	-3.50000	0.05972	-3.7250	-9.6448E-6
-0.057638 1.0560E-6						
1 Displacement Grid 1	26.25000	42.50000	-3.50000	0.05905	-3.7250	-9.2677E-6
-0.056299 1.0315E-6						
1 Displacement Grid 1	27.25000	42.50000	-3.50000	0.05812	-3.7250	-8.7742E-6
-0.054516 998.82E-9						
1 Displacement Grid 1	28.25000	42.50000	-3.50000	0.05695	-3.7250	-8.1921E-6
-0.052362 959.36E-9						
1 Displacement Grid 1	29.25000	42.50000	-3.50000	0.05557	-3.7250	-7.5512E-6
-0.049918 914.60E-9						
1 Displacement Grid 1	30.25000	42.50000	-3.50000	0.05399	-3.7250	-6.8802E-6
-0.047267 866.05E-9						
1 Displacement Grid 1	31.25000	42.50000	-3.50000	0.05223	-3.7250	-6.2050E-6
-0.044490 815.19E-9						
1 Displacement Grid 1	32.25000	42.50000	-3.50000	0.05033	-3.7250	-5.5465E-6
-0.041658 763.32E-9						
1 Displacement Grid 1	33.25000	42.50000	-3.50000	0.04832	-3.7250	-4.9205E-6
-0.038834 711.60E-9						
1 Displacement Grid 1	34.25000	42.50000	-3.50000	0.04622	-3.7250	-4.3380E-6
-0.036068 660.92E-9						
1 Displacement Grid 1	35.25000	42.50000	-3.50000	0.04407	-3.7250	-3.8051E-6
-0.033398 612.01E-9						
1 Displacement Grid 1	36.25000	42.50000	-3.50000	0.04190	-3.7250	-3.3245E-6

-0.030851	565.36E-9						
1 Displacement Grid 1		37.25000	42.50000	-3.50000	0.03973	-3.7250	-2.8959E-6
-0.028447	521.32E-9						
1 Displacement Grid 1		38.25000	42.50000	-3.50000	0.03758	-3.7250	-2.5173E-6
-0.026196	480.08E-9						
1 Displacement Grid 1		39.25000	42.50000	-3.50000	0.03548	-3.7250	-2.1852E-6
-0.024102	441.70E-9						
1 Displacement Grid 1		40.25000	42.50000	-3.50000	0.03344	-3.7250	-1.8955E-6
-0.022164	406.19E-9						
1 Displacement Grid 1		41.25000	42.50000	-3.50000	0.03147	-3.7250	-1.6440E-6
-0.020378	373.47E-9						
1 Displacement Grid 1		42.25000	42.50000	-3.50000	0.02959	-3.7250	-1.4263E-6
-0.018738	343.42E-9						
1 Displacement Grid 1		43.25000	42.50000	-3.50000	0.02779	-3.7250	-1.2382E-6
-0.017235	315.88E-9						
1 Displacement Grid 1		44.25000	42.50000	-3.50000	0.02608	-3.7250	-1.0761E-6
-0.015861	290.70E-9						
1 Displacement Grid 1		45.25000	42.50000	-3.50000	0.02446	-3.7250	-936.28E-9
-0.014606	267.71E-9						
1 Displacement Grid 1		46.25000	42.50000	-3.50000	0.02294	-3.7250	-815.86E-9
-0.013462	246.74E-9						
1 Displacement Grid 1		0.25000	43.50000	-3.50000	0.02199	-3.7250	-743.17E-9
-0.012757	233.83E-9						
1 Displacement Grid 1		1.25000	43.50000	-3.50000	0.02340	-3.7250	-847.49E-9
-0.013792	252.78E-9						
1 Displacement Grid 1		2.25000	43.50000	-3.50000	0.02489	-3.7250	-967.43E-9
-0.014918	273.42E-9						
1 Displacement Grid 1		3.25000	43.50000	-3.50000	0.02646	-3.7250	-1.1052E-6
-0.016142	295.86E-9						
1 Displacement Grid 1		4.25000	43.50000	-3.50000	0.02810	-3.7250	-1.2633E-6
-0.017472	320.22E-9						
1 Displacement Grid 1		5.25000	43.50000	-3.50000	0.02982	-3.7250	-1.4443E-6
-0.018911	346.60E-9						
1 Displacement Grid 1		6.25000	43.50000	-3.50000	0.03160	-3.7250	-1.6508E-6
-0.020465	375.07E-9						
1 Displacement Grid 1		7.25000	43.50000	-3.50000	0.03345	-3.7250	-1.8857E-6
-0.022137	405.70E-9						
1 Displacement Grid 1		8.25000	43.50000	-3.50000	0.03534	-3.7250	-2.1515E-6
-0.023926	438.49E-9						
1 Displacement Grid 1		9.25000	43.50000	-3.50000	0.03727	-3.7250	-2.4502E-6
-0.025831	473.39E-9						
1 Displacement Grid 1		10.25000	43.50000	-3.50000	0.03921	-3.7250	-2.7835E-6
-0.027844	510.27E-9						
1 Displacement Grid 1		11.25000	43.50000	-3.50000	0.04115	-3.7250	-3.1518E-6
-0.029954	548.92E-9						
1 Displacement Grid 1		12.25000	43.50000	-3.50000	0.04307	-3.7250	-3.5538E-6
-0.032142	589.01E-9						
1 Displacement Grid 1		13.25000	43.50000	-3.50000	0.04494	-3.7250	-3.9866E-6
-0.034384	630.08E-9						
1 Displacement Grid 1		14.25000	43.50000	-3.50000	0.04673	-3.7250	-4.4444E-6
-0.036647	671.53E-9						
1 Displacement Grid 1		15.25000	43.50000	-3.50000	0.04842	-3.7250	-4.9188E-6
-0.038891	712.63E-9						
1 Displacement Grid 1		16.25000	43.50000	-3.50000	0.04998	-3.7250	-5.3980E-6
-0.041067	752.49E-9						
1 Displacement Grid 1		17.25000	43.50000	-3.50000	0.05139	-3.7250	-5.8675E-6
-0.043121	790.12E-9						
1 Displacement Grid 1		18.25000	43.50000	-3.50000	0.05262	-3.7250	-6.3101E-6
-0.044995	824.45E-9						
1 Displacement Grid 1		19.25000	43.50000	-3.50000	0.05365	-3.7250	-6.7070E-6
-0.046630	854.39E-9						
1 Displacement Grid 1		20.25000	43.50000	-3.50000	0.05446	-3.7250	-7.0396E-6
-0.047968	878.89E-9						
1 Displacement Grid 1		21.25000	43.50000	-3.50000	0.05505	-3.7250	-7.2907E-6
-0.048959	897.04E-9						
1 Displacement Grid 1		22.25000	43.50000	-3.50000	0.05540	-3.7250	-7.4463E-6
-0.049563	908.11E-9						
1 Displacement Grid 1		23.25000	43.50000	-3.50000	0.05551	-3.7250	-7.4975E-6
-0.049757	911.66E-9						
1 Displacement Grid 1		24.25000	43.50000	-3.50000	0.05537	-3.7250	-7.4411E-6
-0.049531	907.52E-9						

1 Displacement Grid 1	25.25000	43.50000	-3.50000	0.05499	-3.7250	-7.2806E-6
-0.048895 895.87E-9						
1 Displacement Grid 1	26.25000	43.50000	-3.50000	0.05437	-3.7250	-7.0250E-6
-0.047875 877.18E-9						
1 Displacement Grid 1	27.25000	43.50000	-3.50000	0.05353	-3.7250	-6.6883E-6
-0.046510 852.19E-9						
1 Displacement Grid 1	28.25000	43.50000	-3.50000	0.05247	-3.7250	-6.2880E-6
-0.044851 821.81E-9						
1 Displacement Grid 1	29.25000	43.50000	-3.50000	0.05121	-3.7250	-5.8427E-6
-0.042956 787.10E-9						
1 Displacement Grid 1	30.25000	43.50000	-3.50000	0.04979	-3.7250	-5.3712E-6
-0.040885 749.15E-9						
1 Displacement Grid 1	31.25000	43.50000	-3.50000	0.04821	-3.7250	-4.8907E-6
-0.038695 709.05E-9						
1 Displacement Grid 1	32.25000	43.50000	-3.50000	0.04650	-3.7250	-4.4158E-6
-0.036442 667.78E-9						
1 Displacement Grid 1	33.25000	43.50000	-3.50000	0.04470	-3.7250	-3.9580E-6
-0.034173 626.21E-9						
1 Displacement Grid 1	34.25000	43.50000	-3.50000	0.04282	-3.7250	-3.5257E-6
-0.031928 585.08E-9						
1 Displacement Grid 1	35.25000	43.50000	-3.50000	0.04090	-3.7250	-3.1245E-6
-0.029739 544.99E-9						
1 Displacement Grid 1	36.25000	43.50000	-3.50000	0.03895	-3.7250	-2.7575E-6
-0.027632 506.38E-9						
1 Displacement Grid 1	37.25000	43.50000	-3.50000	0.03701	-3.7250	-2.4257E-6
-0.025623 469.57E-9						
1 Displacement Grid 1	38.25000	43.50000	-3.50000	0.03508	-3.7250	-2.1285E-6
-0.023724 434.78E-9						
1 Displacement Grid 1	39.25000	43.50000	-3.50000	0.03320	-3.7250	-1.8644E-6
-0.021942 402.12E-9						
1 Displacement Grid 1	40.25000	43.50000	-3.50000	0.03136	-3.7250	-1.6312E-6
-0.020278 371.64E-9						
1 Displacement Grid 1	41.25000	43.50000	-3.50000	0.02958	-3.7250	-1.4263E-6
-0.018732 343.32E-9						
1 Displacement Grid 1	42.25000	43.50000	-3.50000	0.02787	-3.7250	-1.2470E-6
-0.017302 317.11E-9						
1 Displacement Grid 1	43.25000	43.50000	-3.50000	0.02623	-3.7250	-1.0904E-6
-0.015982 292.92E-9						
1 Displacement Grid 1	44.25000	43.50000	-3.50000	0.02467	-3.7250	-954.06E-9
-0.014766 270.65E-9						
1 Displacement Grid 1	45.25000	43.50000	-3.50000	0.02319	-3.7250	-835.46E-9
-0.013649 250.18E-9						
1 Displacement Grid 1	46.25000	43.50000	-3.50000	0.02179	-3.7250	-732.37E-9
-0.012624 231.39E-9						
1 Displacement Grid 1	0.25000	44.50000	-3.50000	0.02087	-3.7250	-666.04E-9
-0.011951 219.05E-9						
1 Displacement Grid 1	1.25000	44.50000	-3.50000	0.02216	-3.7250	-755.15E-9
-0.012876 236.00E-9						
1 Displacement Grid 1	2.25000	44.50000	-3.50000	0.02351	-3.7250	-856.77E-9
-0.013877 254.35E-9						
1 Displacement Grid 1	3.25000	44.50000	-3.50000	0.02494	-3.7250	-972.47E-9
-0.014959 274.18E-9						
1 Displacement Grid 1	4.25000	44.50000	-3.50000	0.02643	-3.7250	-1.1040E-6
-0.016126 295.57E-9						
1 Displacement Grid 1	5.25000	44.50000	-3.50000	0.02799	-3.7250	-1.2530E-6
-0.017381 318.57E-9						
1 Displacement Grid 1	6.25000	44.50000	-3.50000	0.02960	-3.7250	-1.4214E-6
-0.018727 343.22E-9						
1 Displacement Grid 1	7.25000	44.50000	-3.50000	0.03126	-3.7250	-1.6108E-6
-0.020163 369.53E-9						
1 Displacement Grid 1	8.25000	44.50000	-3.50000	0.03295	-3.7250	-1.8226E-6
-0.021687 397.47E-9						
1 Displacement Grid 1	9.25000	44.50000	-3.50000	0.03468	-3.7250	-2.0579E-6
-0.023297 426.97E-9						
1 Displacement Grid 1	10.25000	44.50000	-3.50000	0.03641	-3.7250	-2.3171E-6
-0.024984 457.87E-9						
1 Displacement Grid 1	11.25000	44.50000	-3.50000	0.03814	-3.7250	-2.6000E-6
-0.026737 489.98E-9						
1 Displacement Grid 1	12.25000	44.50000	-3.50000	0.03985	-3.7250	-2.9049E-6
-0.028539 522.99E-9						
1 Displacement Grid 1	13.25000	44.50000	-3.50000	0.04151	-3.7250	-3.2289E-6

-0.030368	556.51E-9						
1 Displacement Grid 1	14.25000	44.50000	-3.50000	0.04310	-3.7250	-3.5674E-6	
-0.032199	590.05E-9						
1 Displacement Grid 1	15.25000	44.50000	-3.50000	0.04460	-3.7250	-3.9137E-6	
-0.033999	623.02E-9						
1 Displacement Grid 1	16.25000	44.50000	-3.50000	0.04599	-3.7250	-4.2595E-6	
-0.035730	654.73E-9						
1 Displacement Grid 1	17.25000	44.50000	-3.50000	0.04725	-3.7250	-4.5945E-6	
-0.037351	684.44E-9						
1 Displacement Grid 1	18.25000	44.50000	-3.50000	0.04834	-3.7250	-4.9072E-6	
-0.038821	711.35E-9						
1 Displacement Grid 1	19.25000	44.50000	-3.50000	0.04927	-3.7250	-5.1852E-6	
-0.040094	734.67E-9						
1 Displacement Grid 1	20.25000	44.50000	-3.50000	0.05000	-3.7250	-5.4164E-6	
-0.041131	753.67E-9						
1 Displacement Grid 1	21.25000	44.50000	-3.50000	0.05052	-3.7250	-5.5899E-6	
-0.041896	767.67E-9						
1 Displacement Grid 1	22.25000	44.50000	-3.50000	0.05084	-3.7250	-5.6970E-6	
-0.042361	776.19E-9						
1 Displacement Grid 1	23.25000	44.50000	-3.50000	0.05093	-3.7250	-5.7321E-6	
-0.042509	778.91E-9						
1 Displacement Grid 1	24.25000	44.50000	-3.50000	0.05081	-3.7250	-5.6932E-6	
-0.042335	775.72E-9						
1 Displacement Grid 1	25.25000	44.50000	-3.50000	0.05047	-3.7250	-5.5824E-6	
-0.041844	766.73E-9						
1 Displacement Grid 1	26.25000	44.50000	-3.50000	0.04992	-3.7250	-5.4055E-6	
-0.041055	752.28E-9						
1 Displacement Grid 1	27.25000	44.50000	-3.50000	0.04916	-3.7250	-5.1712E-6	
-0.039996	732.88E-9						
1 Displacement Grid 1	28.25000	44.50000	-3.50000	0.04822	-3.7250	-4.8905E-6	
-0.038703	709.19E-9						
1 Displacement Grid 1	29.25000	44.50000	-3.50000	0.04710	-3.7250	-4.5757E-6	
-0.037216	681.96E-9						
1 Displacement Grid 1	30.25000	44.50000	-3.50000	0.04582	-3.7250	-4.2391E-6	
-0.035580	651.98E-9						
1 Displacement Grid 1	31.25000	44.50000	-3.50000	0.04442	-3.7250	-3.8922E-6	
-0.033837	620.06E-9						
1 Displacement Grid 1	32.25000	44.50000	-3.50000	0.04290	-3.7250	-3.5453E-6	
-0.032029	586.93E-9						
1 Displacement Grid 1	33.25000	44.50000	-3.50000	0.04130	-3.7250	-3.2067E-6	
-0.030192	553.28E-9						
1 Displacement Grid 1	34.25000	44.50000	-3.50000	0.03963	-3.7250	-2.8829E-6	
-0.028359	519.70E-9						
1 Displacement Grid 1	35.25000	44.50000	-3.50000	0.03792	-3.7250	-2.5785E-6	
-0.026556	486.66E-9						
1 Displacement Grid 1	36.25000	44.50000	-3.50000	0.03618	-3.7250	-2.2965E-6	
-0.024804	454.57E-9						
1 Displacement Grid 1	37.25000	44.50000	-3.50000	0.03445	-3.7250	-2.0382E-6	
-0.023119	423.71E-9						
1 Displacement Grid 1	38.25000	44.50000	-3.50000	0.03272	-3.7250	-1.8040E-6	
-0.021514	394.28E-9						
1 Displacement Grid 1	39.25000	44.50000	-3.50000	0.03103	-3.7250	-1.5934E-6	
-0.019994	366.43E-9						
1 Displacement Grid 1	40.25000	44.50000	-3.50000	0.02937	-3.7250	-1.4053E-6	
-0.018564	340.23E-9						
1 Displacement Grid 1	41.25000	44.50000	-3.50000	0.02777	-3.7250	-1.2382E-6	
-0.017225	315.70E-9						
1 Displacement Grid 1	42.25000	44.50000	-3.50000	0.02622	-3.7250	-1.0904E-6	
-0.015977	292.84E-9						
1 Displacement Grid 1	43.25000	44.50000	-3.50000	0.02473	-3.7250	-960.04E-9	
-0.014818	271.58E-9						
1 Displacement Grid 1	44.25000	44.50000	-3.50000	0.02331	-3.7250	-845.46E-9	
-0.013743	251.89E-9						
1 Displacement Grid 1	45.25000	44.50000	-3.50000	0.02196	-3.7250	-744.91E-9	
-0.012749	233.68E-9						
1 Displacement Grid 1	46.25000	44.50000	-3.50000	0.02068	-3.7250	-656.78E-9	
-0.011831	216.86E-9						
1 Displacement Grid 1	0.25000	45.50000	-3.50000	0.01978	-3.7250	-596.54E-9	
-0.011191	205.13E-9						
1 Displacement Grid 1	1.25000	45.50000	-3.50000	0.02096	-3.7250	-672.61E-9	
-0.012018	220.28E-9						



1 Displacement Grid 1	2.25000	45.50000	-3.50000	0.02220	-3.7250	-758.66E-9
-0.012908 236.59E-9						
1 Displacement Grid 1	3.25000	45.50000	-3.50000	0.02349	-3.7250	-855.82E-9
-0.013864 254.12E-9						
1 Displacement Grid 1	4.25000	45.50000	-3.50000	0.02485	-3.7250	-965.27E-9
-0.014889 272.90E-9						
1 Displacement Grid 1	5.25000	45.50000	-3.50000	0.02625	-3.7250	-1.0882E-6
-0.015984 292.96E-9						
1 Displacement Grid 1	6.25000	45.50000	-3.50000	0.02770	-3.7250	-1.2256E-6
-0.017150 314.32E-9						
1 Displacement Grid 1	7.25000	45.50000	-3.50000	0.02919	-3.7250	-1.3787E-6
-0.018385 336.96E-9						
1 Displacement Grid 1	8.25000	45.50000	-3.50000	0.03071	-3.7250	-1.5480E-6
-0.019688 360.82E-9						
1 Displacement Grid 1	9.25000	45.50000	-3.50000	0.03225	-3.7250	-1.7341E-6
-0.021052 385.83E-9						
1 Displacement Grid 1	10.25000	45.50000	-3.50000	0.03379	-3.7250	-1.9369E-6
-0.022471 411.82E-9						
1 Displacement Grid 1	11.25000	45.50000	-3.50000	0.03533	-3.7250	-2.1556E-6
-0.023933 438.61E-9						
1 Displacement Grid 1	12.25000	45.50000	-3.50000	0.03684	-3.7250	-2.3886E-6
-0.025424 465.94E-9						
1 Displacement Grid 1	13.25000	45.50000	-3.50000	0.03831	-3.7250	-2.6334E-6
-0.026927 493.46E-9						
1 Displacement Grid 1	14.25000	45.50000	-3.50000	0.03972	-3.7250	-2.8862E-6
-0.028418 520.79E-9						
1 Displacement Grid 1	15.25000	45.50000	-3.50000	0.04105	-3.7250	-3.1421E-6
-0.029873 547.44E-9						
1 Displacement Grid 1	16.25000	45.50000	-3.50000	0.04228	-3.7250	-3.3950E-6
-0.031263 572.90E-9						
1 Displacement Grid 1	17.25000	45.50000	-3.50000	0.04339	-3.7250	-3.6376E-6
-0.032556 596.59E-9						
1 Displacement Grid 1	18.25000	45.50000	-3.50000	0.04436	-3.7250	-3.8621E-6
-0.033720 617.92E-9						
1 Displacement Grid 1	19.25000	45.50000	-3.50000	0.04517	-3.7250	-4.0601E-6
-0.034724 636.30E-9						
1 Displacement Grid 1	20.25000	45.50000	-3.50000	0.04582	-3.7250	-4.2238E-6
-0.035537 651.20E-9						
1 Displacement Grid 1	21.25000	45.50000	-3.50000	0.04629	-3.7250	-4.3460E-6
-0.036135 662.16E-9						
1 Displacement Grid 1	22.25000	45.50000	-3.50000	0.04656	-3.7250	-4.4212E-6
-0.036498 668.80E-9						
1 Displacement Grid 1	23.25000	45.50000	-3.50000	0.04665	-3.7250	-4.4457E-6
-0.036613 670.91E-9						
1 Displacement Grid 1	24.25000	45.50000	-3.50000	0.04654	-3.7250	-4.4183E-6
-0.036476 668.41E-9						
1 Displacement Grid 1	25.25000	45.50000	-3.50000	0.04624	-3.7250	-4.3404E-6
-0.036093 661.39E-9						
1 Displacement Grid 1	26.25000	45.50000	-3.50000	0.04575	-3.7250	-4.2156E-6
-0.035475 650.07E-9						
1 Displacement Grid 1	27.25000	45.50000	-3.50000	0.04508	-3.7250	-4.0495E-6
-0.034644 634.83E-9						
1 Displacement Grid 1	28.25000	45.50000	-3.50000	0.04424	-3.7250	-3.8494E-6
-0.033623 616.14E-9						
1 Displacement Grid 1	29.25000	45.50000	-3.50000	0.04326	-3.7250	-3.6233E-6
-0.032444 594.54E-9						
1 Displacement Grid 1	30.25000	45.50000	-3.50000	0.04213	-3.7250	-3.3793E-6
-0.031139 570.63E-9						
1 Displacement Grid 1	31.25000	45.50000	-3.50000	0.04089	-3.7250	-3.1256E-6
-0.029739 544.98E-9						
1 Displacement Grid 1	32.25000	45.50000	-3.50000	0.03955	-3.7250	-2.8691E-6
-0.028276 518.18E-9						
1 Displacement Grid 1	33.25000	45.50000	-3.50000	0.03813	-3.7250	-2.6160E-6
-0.026779 490.75E-9						
1 Displacement Grid 1	34.25000	45.50000	-3.50000	0.03665	-3.7250	-2.3713E-6
-0.025273 463.15E-9						
1 Displacement Grid 1	35.25000	45.50000	-3.50000	0.03513	-3.7250	-2.1386E-6
-0.023779 435.80E-9						
1 Displacement Grid 1	36.25000	45.50000	-3.50000	0.03359	-3.7250	-1.9204E-6
-0.022317 409.00E-9						
1 Displacement Grid 1	37.25000	45.50000	-3.50000	0.03204	-3.7250	-1.7183E-6

-0.020900	383.03E-9						
1 Displacement Grid 1		38.25000	45.50000	-3.50000	0.03050	-3.7250	-1.5330E-6
-0.019538	358.08E-9						
1 Displacement Grid 1		39.25000	45.50000	-3.50000	0.02899	-3.7250	-1.3645E-6
-0.018239	334.28E-9						
1 Displacement Grid 1		40.25000	45.50000	-3.50000	0.02750	-3.7250	-1.2124E-6
-0.017008	311.72E-9						
1 Displacement Grid 1		41.25000	45.50000	-3.50000	0.02605	-3.7250	-1.0759E-6
-0.015847	290.46E-9						
1 Displacement Grid 1		42.25000	45.50000	-3.50000	0.02465	-3.7250	-953.89E-9
-0.014758	270.49E-9						
1 Displacement Grid 1		43.25000	45.50000	-3.50000	0.02331	-3.7250	-845.37E-9
-0.013739	251.82E-9						
1 Displacement Grid 1		44.25000	45.50000	-3.50000	0.02202	-3.7250	-749.09E-9
-0.012789	234.41E-9						
1 Displacement Grid 1		45.25000	45.50000	-3.50000	0.02078	-3.7250	-663.88E-9
-0.011905	218.21E-9						
1 Displacement Grid 1		46.25000	45.50000	-3.50000	0.01961	-3.7250	-588.59E-9
-0.011084	203.16E-9						
1 Displacement Grid 1		0.25000	46.50000	-3.50000	0.01874	-3.7250	-534.10E-9
-0.010477	192.05E-9						
1 Displacement Grid 1		1.25000	46.50000	-3.50000	0.01981	-3.7250	-599.02E-9
-0.011216	205.59E-9						
1 Displacement Grid 1		2.25000	46.50000	-3.50000	0.02094	-3.7250	-671.89E-9
-0.012007	220.09E-9						
1 Displacement Grid 1		3.25000	46.50000	-3.50000	0.02212	-3.7250	-753.52E-9
-0.012853	235.58E-9						
1 Displacement Grid 1		4.25000	46.50000	-3.50000	0.02334	-3.7250	-844.68E-9
-0.013753	252.08E-9						
1 Displacement Grid 1		5.25000	46.50000	-3.50000	0.02461	-3.7250	-946.16E-9
-0.014709	269.60E-9						
1 Displacement Grid 1		6.25000	46.50000	-3.50000	0.02591	-3.7250	-1.0586E-6
-0.015721	288.14E-9						
1 Displacement Grid 1		7.25000	46.50000	-3.50000	0.02725	-3.7250	-1.1826E-6
-0.016786	307.65E-9						
1 Displacement Grid 1		8.25000	46.50000	-3.50000	0.02860	-3.7250	-1.3186E-6
-0.017901	328.08E-9						
1 Displacement Grid 1		9.25000	46.50000	-3.50000	0.02998	-3.7250	-1.4664E-6
-0.019061	349.34E-9						
1 Displacement Grid 1		10.25000	46.50000	-3.50000	0.03135	-3.7250	-1.6258E-6
-0.020258	371.28E-9						
1 Displacement Grid 1		11.25000	46.50000	-3.50000	0.03271	-3.7250	-1.7960E-6
-0.021484	393.73E-9						
1 Displacement Grid 1		12.25000	46.50000	-3.50000	0.03405	-3.7250	-1.9755E-6
-0.022724	416.47E-9						
1 Displacement Grid 1		13.25000	46.50000	-3.50000	0.03535	-3.7250	-2.1620E-6
-0.023965	439.20E-9						
1 Displacement Grid 1		14.25000	46.50000	-3.50000	0.03660	-3.7250	-2.3528E-6
-0.025189	461.62E-9						
1 Displacement Grid 1		15.25000	46.50000	-3.50000	0.03777	-3.7250	-2.5440E-6
-0.026374	483.33E-9						
1 Displacement Grid 1		16.25000	46.50000	-3.50000	0.03885	-3.7250	-2.7312E-6
-0.027499	503.94E-9						
1 Displacement Grid 1		17.25000	46.50000	-3.50000	0.03982	-3.7250	-2.9093E-6
-0.028539	523.00E-9						
1 Displacement Grid 1		18.25000	46.50000	-3.50000	0.04067	-3.7250	-3.0728E-6
-0.029471	540.07E-9						
1 Displacement Grid 1		19.25000	46.50000	-3.50000	0.04139	-3.7250	-3.2161E-6
-0.030271	554.72E-9						
1 Displacement Grid 1		20.25000	46.50000	-3.50000	0.04196	-3.7250	-3.3339E-6
-0.030916	566.55E-9						
1 Displacement Grid 1		21.25000	46.50000	-3.50000	0.04237	-3.7250	-3.4215E-6
-0.031389	575.21E-9						
1 Displacement Grid 1		22.25000	46.50000	-3.50000	0.04261	-3.7250	-3.4751E-6
-0.031675	580.45E-9						
1 Displacement Grid 1		23.25000	46.50000	-3.50000	0.04269	-3.7250	-3.4925E-6
-0.031765	582.11E-9						
1 Displacement Grid 1		24.25000	46.50000	-3.50000	0.04259	-3.7250	-3.4729E-6
-0.031658	580.13E-9						
1 Displacement Grid 1		25.25000	46.50000	-3.50000	0.04233	-3.7250	-3.4172E-6
-0.031354	574.58E-9						

1 Displacement Grid 1	26.25000	46.50000	-3.50000	0.04190	-3.7250	-3.3276E-6
-0.030865 565.61E-9						
1 Displacement Grid 1	27.25000	46.50000	-3.50000	0.04131	-3.7250	-3.2080E-6
-0.030204 553.51E-9						
1 Displacement Grid 1	28.25000	46.50000	-3.50000	0.04058	-3.7250	-3.0631E-6
-0.029391 538.60E-9						
1 Displacement Grid 1	29.25000	46.50000	-3.50000	0.03971	-3.7250	-2.8982E-6
-0.028447 521.31E-9						
1 Displacement Grid 1	30.25000	46.50000	-3.50000	0.03872	-3.7250	-2.7191E-6
-0.027395 502.05E-9						
1 Displacement Grid 1	31.25000	46.50000	-3.50000	0.03762	-3.7250	-2.5311E-6
-0.026262 481.27E-9						
1 Displacement Grid 1	32.25000	46.50000	-3.50000	0.03644	-3.7250	-2.3394E-6
-0.025069 459.43E-9						
1 Displacement Grid 1	33.25000	46.50000	-3.50000	0.03519	-3.7250	-2.1483E-6
-0.023840 436.91E-9						
1 Displacement Grid 1	34.25000	46.50000	-3.50000	0.03388	-3.7250	-1.9617E-6
-0.022596 414.11E-9						
1 Displacement Grid 1	35.25000	46.50000	-3.50000	0.03254	-3.7250	-1.7824E-6
-0.021353 391.34E-9						
1 Displacement Grid 1	36.25000	46.50000	-3.50000	0.03117	-3.7250	-1.6126E-6
-0.020127 368.87E-9						
1 Displacement Grid 1	37.25000	46.50000	-3.50000	0.02980	-3.7250	-1.4536E-6
-0.018930 346.94E-9						
1 Displacement Grid 1	38.25000	46.50000	-3.50000	0.02842	-3.7250	-1.3063E-6
-0.017771 325.71E-9						
1 Displacement Grid 1	39.25000	46.50000	-3.50000	0.02707	-3.7250	-1.1710E-6
-0.016659 305.33E-9						
1 Displacement Grid 1	40.25000	46.50000	-3.50000	0.02573	-3.7250	-1.0477E-6
-0.015597 285.87E-9						
1 Displacement Grid 1	41.25000	46.50000	-3.50000	0.02443	-3.7250	-935.93E-9
-0.014590 267.41E-9						
1 Displacement Grid 1	42.25000	46.50000	-3.50000	0.02317	-3.7250	-835.17E-9
-0.013638 249.96E-9						
1 Displacement Grid 1	43.25000	46.50000	-3.50000	0.02195	-3.7250	-744.71E-9
-0.012742 233.55E-9						
1 Displacement Grid 1	44.25000	46.50000	-3.50000	0.02078	-3.7250	-663.78E-9
-0.011901 218.14E-9						
1 Displacement Grid 1	45.25000	46.50000	-3.50000	0.01965	-3.7250	-591.57E-9
-0.011115 203.74E-9						
1 Displacement Grid 1	46.25000	46.50000	-3.50000	0.01858	-3.7250	-527.28E-9
-0.010381 190.29E-9						
1 Displacement Grid 1	0.25000	47.50000	-3.50000	0.01774	-3.7250	-478.15E-9
-0.0098086 179.79E-9						
1 Displacement Grid 1	1.25000	47.50000	-3.50000	0.01872	-3.7250	-533.55E-9
-0.010469 191.89E-9						
1 Displacement Grid 1	2.25000	47.50000	-3.50000	0.01975	-3.7250	-595.28E-9
-0.011172 204.78E-9						
1 Displacement Grid 1	3.25000	47.50000	-3.50000	0.02082	-3.7250	-663.91E-9
-0.011920 218.48E-9						
1 Displacement Grid 1	4.25000	47.50000	-3.50000	0.02192	-3.7250	-739.94E-9
-0.012712 232.99E-9						
1 Displacement Grid 1	5.25000	47.50000	-3.50000	0.02306	-3.7250	-823.88E-9
-0.013548 248.31E-9						
1 Displacement Grid 1	6.25000	47.50000	-3.50000	0.02423	-3.7250	-916.12E-9
-0.014427 264.42E-9						
1 Displacement Grid 1	7.25000	47.50000	-3.50000	0.02543	-3.7250	-1.0169E-6
-0.015346 281.28E-9						
1 Displacement Grid 1	8.25000	47.50000	-3.50000	0.02664	-3.7250	-1.1264E-6
-0.016303 298.81E-9						
1 Displacement Grid 1	9.25000	47.50000	-3.50000	0.02786	-3.7250	-1.2444E-6
-0.017293 316.94E-9						
1 Displacement Grid 1	10.25000	47.50000	-3.50000	0.02908	-3.7250	-1.3704E-6
-0.018307 335.53E-9						
1 Displacement Grid 1	11.25000	47.50000	-3.50000	0.03029	-3.7250	-1.5037E-6
-0.019338 354.43E-9						
1 Displacement Grid 1	12.25000	47.50000	-3.50000	0.03148	-3.7250	-1.6429E-6
-0.020376 373.43E-9						
1 Displacement Grid 1	13.25000	47.50000	-3.50000	0.03262	-3.7250	-1.7863E-6
-0.021407 392.32E-9						
1 Displacement Grid 1	14.25000	47.50000	-3.50000	0.03372	-3.7250	-1.9316E-6

-0.022416	410.83E-9						
1 Displacement Grid 1		15.25000	47.50000	-3.50000	0.03474	-3.7250	-2.0759E-6
-0.023389	428.65E-9						
1 Displacement Grid 1		16.25000	47.50000	-3.50000	0.03569	-3.7250	-2.2161E-6
-0.024307	445.46E-9						
1 Displacement Grid 1		17.25000	47.50000	-3.50000	0.03655	-3.7250	-2.3485E-6
-0.025151	460.93E-9						
1 Displacement Grid 1		18.25000	47.50000	-3.50000	0.03729	-3.7250	-2.4692E-6
-0.025904	474.72E-9						
1 Displacement Grid 1		19.25000	47.50000	-3.50000	0.03792	-3.7250	-2.5744E-6
-0.026547	486.50E-9						
1 Displacement Grid 1		20.25000	47.50000	-3.50000	0.03842	-3.7250	-2.6605E-6
-0.027064	495.98E-9						
1 Displacement Grid 1		21.25000	47.50000	-3.50000	0.03878	-3.7250	-2.7242E-6
-0.027442	502.91E-9						
1 Displacement Grid 1		22.25000	47.50000	-3.50000	0.03899	-3.7250	-2.7631E-6
-0.027671	507.09E-9						
1 Displacement Grid 1		23.25000	47.50000	-3.50000	0.03906	-3.7250	-2.7757E-6
-0.027742	508.41E-9						
1 Displacement Grid 1		24.25000	47.50000	-3.50000	0.03897	-3.7250	-2.7614E-6
-0.027656	506.82E-9						
1 Displacement Grid 1		25.25000	47.50000	-3.50000	0.03874	-3.7250	-2.7209E-6
-0.027414	502.38E-9						
1 Displacement Grid 1		26.25000	47.50000	-3.50000	0.03836	-3.7250	-2.6556E-6
-0.027022	495.21E-9						
1 Displacement Grid 1		27.25000	47.50000	-3.50000	0.03785	-3.7250	-2.5682E-6
-0.026492	485.49E-9						
1 Displacement Grid 1		28.25000	47.50000	-3.50000	0.03721	-3.7250	-2.4617E-6
-0.025837	473.49E-9						
1 Displacement Grid 1		29.25000	47.50000	-3.50000	0.03645	-3.7250	-2.3399E-6
-0.025074	459.51E-9						
1 Displacement Grid 1		30.25000	47.50000	-3.50000	0.03558	-3.7250	-2.2067E-6
-0.024220	443.87E-9						
1 Displacement Grid 1		31.25000	47.50000	-3.50000	0.03462	-3.7250	-2.0658E-6
-0.023295	426.91E-9						
1 Displacement Grid 1		32.25000	47.50000	-3.50000	0.03358	-3.7250	-1.9210E-6
-0.022316	408.98E-9						
1 Displacement Grid 1		33.25000	47.50000	-3.50000	0.03248	-3.7250	-1.7754E-6
-0.021301	390.38E-9						
1 Displacement Grid 1		34.25000	47.50000	-3.50000	0.03133	-3.7250	-1.6319E-6
-0.020266	371.43E-9						
1 Displacement Grid 1		35.25000	47.50000	-3.50000	0.03014	-3.7250	-1.4928E-6
-0.019227	352.38E-9						
1 Displacement Grid 1		36.25000	47.50000	-3.50000	0.02893	-3.7250	-1.3597E-6
-0.018194	333.46E-9						
1 Displacement Grid 1		37.25000	47.50000	-3.50000	0.02770	-3.7250	-1.2340E-6
-0.017180	314.87E-9						
1 Displacement Grid 1		38.25000	47.50000	-3.50000	0.02648	-3.7250	-1.1164E-6
-0.016191	296.76E-9						
1 Displacement Grid 1		39.25000	47.50000	-3.50000	0.02527	-3.7250	-1.0074E-6
-0.015236	279.25E-9						
1 Displacement Grid 1		40.25000	47.50000	-3.50000	0.02407	-3.7250	-907.06E-9
-0.014319	262.44E-9						
1 Displacement Grid 1		41.25000	47.50000	-3.50000	0.02290	-3.7250	-815.35E-9
-0.013442	246.38E-9						
1 Displacement Grid 1		42.25000	47.50000	-3.50000	0.02177	-3.7250	-731.96E-9
-0.012610	231.12E-9						
1 Displacement Grid 1		43.25000	47.50000	-3.50000	0.02066	-3.7250	-656.48E-9
-0.011821	216.68E-9						
1 Displacement Grid 1		44.25000	47.50000	-3.50000	0.01960	-3.7250	-588.40E-9
-0.011078	203.05E-9						
1 Displacement Grid 1		45.25000	47.50000	-3.50000	0.01858	-3.7250	-527.19E-9
-0.010379	190.23E-9						
1 Displacement Grid 1		46.25000	47.50000	-3.50000	0.01760	-3.7250	-472.29E-9
-0.0097224	178.21E-9						

## Results : Consolidation : Displacement Data : Grids

None

## **Results : Total : Displacement Data : Grids**

None

## Titles

Job No.: 18860  
Job Title: 28 Charlotte Street  
Sub-title:  
Calculation Heading: Long-term heave  
Initials: DVT  
Checker:  
Date Saved:  
Date Checked:  
Notes:  
File Name: 18860\_HLt\_Rev1.02.pdd  
File Path: C:\Users\soils-user\Documents\Valerio Tedesco\BIA\18860\_28  
Charlotte Street\Rev1.02

## History

Date	Time	By	Notes
26-Oct-2022	19:33	soils	New
26-Oct-2022	20:20	soils	
15-Jun-2023	12:15	soils-user	
20-Jun-2023	10:01	soils-user	

## Analysis Options

### General

Global Poisson's ratio: 0.35  
Maximum allowable ratio between values of E: 1.5  
Horizontal rigid boundary level: -15.00 [m OD]  
Displacements at load centroids: Yes  
GSA piled raft data : No

### Elastic

Elastic : Yes

### Consolidation

Consolidation : No

### Soil Profiles Soil Profile 1

Layer ref.	Name	Level at top [mOD]	Number of intermediate displacement levels	Youngs Modulus : Top [kN/m <sup>2</sup> ]	Youngs Modulus : Btm. [kN/m <sup>2</sup> ]	Poissons ratio	Non-linear curve
1	MG	0.0	11	18000.	18000.	0.33000	None
2	LHGR	-5.3000	5	40000.	40000.	0.30000	None
3	LCF	-7.7000	15	37500.	57940.	0.31000	None

### Soil Profiles Soil Profile 2

Layer ref.	Name	Level at top [mOD]	Number of intermediate displacement levels	Youngs Modulus : Top [kN/m <sup>2</sup> ]	Youngs Modulus : Btm. [kN/m <sup>2</sup> ]	Poissons ratio	Non-linear curve
1	MG	-3.5000	4	18000.	18000.	0.33000	None
2	LHGR	-5.3000	5	40000.	40000.	0.30000	None
3	LCF	-7.7000	15	50000.	77375.	0.50000	None

### Soil Zones

Zone	Name	X min	X max	Y min	Y max	Profile
------	------	-------	-------	-------	-------	---------

	[m]	[m]	[m]	[m]	
1 o1	0.0	20.000	0.0	48.000	Soil Profile 1
2 o2	20.000	26.500	28.000	48.000	Soil Profile 1
3 o3	26.500	46.500	0.0	48.000	Soil Profile 1
4 o4	20.000	26.500	0.0	20.000	Soil Profile 1
5 o5	24.900	26.500	20.000	21.300	Soil Profile 1
6 i1	20.000	24.900	20.000	28.000	Soil Profile 2
7 i2	24.900	26.500	21.300	28.000	Soil Profile 2

### Rectangular Load Data

Load Name	Orientation	Centre	Centre	Centre	Position	Position	Position	Value :	Value
ref.	of Plane	(Global)	(Global)	(Global)	: Angle	: Width	: Length	Normal	
Tangential	Tangential	: x	: y	: z	of local	x or	y	(local z)	(local
x)	(local y)								
		[m]	[m]	[m]	x from	Radius	[m]	[m]	[kN/m <sup>2</sup> ]
[kN/m <sup>2</sup> ]	[kN/m <sup>2</sup> ]				[Degrees]				
1 Exc1	Horizontal	22.45000	24.00000	-3.50000	0.0	4.9000	8.0000	-63.000	
0.0	0.0								
2 Exc2	Horizontal	25.70000	24.65000	-3.50000	0.0	1.6000	6.7000	-63.000	
0.0	0.0								

### Displacement Lines

Name	X1	Y1	Z1	X2	Y2	Z2	Intervals	Calculate	Detailed
	[m]	[m]	[m]	[m]	[m]	[m]	[No.]		Results
CS1	20.00000	24.00000	-3.50000	14.50000	24.00000	-3.50000	20	Yes	Yes
CS2	20.00000	20.00000	-3.50000	26.50000	20.00000	-3.50000	20	Yes	Yes
CS3	23.25000	20.00000	-3.50000	23.25000	8.00000	-3.50000	20	Yes	Yes

### Displacement Grids

Name	Extrusion:	X1	Y1	Z1	X2	Y2	Z2	Intervals	Calculate	Detailed	
Extrusion:	Extrusion:	Calculate	Detailed								
Distance	Intervals	Direction	Results							Along	
Along										Line	
[No.]			[m]	[m]	[m]	[m]	[m]	[m]	[m]	[No.]	[m]
Displacement Grid 1	Global X	0.25000	0.50000	-3.50000	-	47.50000	-3.50000			47	
46.00000	46	Yes	Yes								

### Results : Immediate : Load Centres : Rectangular

Ref. Vert.	Name	x	y	z	δz	Stress:	Stress:	Stress:
						Calc.	Vertical	Sum Princ.
Strain						Level		
[μ]		[m]	[m]	[mOD]	[mm]	[mOD]	[kN/m <sup>2</sup> ]	[kN/m <sup>2</sup> ]
1 Exc1		22.45000	24.00000	-3.50000	-8.66564	-3.6800	-62.992	-161.92
-0.0016859								
2 Exc2		25.70000	24.65000	-3.50000	-7.42373	-3.6800	-62.854	-154.66
-0.0018089								

### Results : Consolidation : Load Centres : Rectangular

None

## Results : Total : Load Centres : Rectangular

None

## Results : Immediate : Displacement Data : Lines

Ref. Vert.	Name	x	y	z	$\delta z$	Stress: Calc.	Stress: Vertical	Stress: Sum Princ.
Strain		[m]	[m]	[mOD]	[mm]	Level [mOD]	[kN/m <sup>2</sup> ]	[kN/m <sup>2</sup> ]
	[ $\mu$ ]							
	1 CS1	20.00000	24.00000	-3.50000	-4.78062	-3.6800	-31.499	-82.155
-821.22E-6	1 CS1	19.72500	24.00000	-3.50000	-3.84198	-3.7250	-3.9206	-33.659
327.40E-6	1 CS1	19.45000	24.00000	-3.50000	-3.06748	-3.7250	-0.75726	-17.699
268.53E-6	1 CS1	19.17500	24.00000	-3.50000	-2.53137	-3.7250	-0.24671	-11.227
187.60E-6	1 CS1	18.90000	24.00000	-3.50000	-2.13215	-3.7250	-0.10704	-7.8667
136.31E-6	1 CS1	18.62500	24.00000	-3.50000	-1.82136	-3.7250	-0.055057	-5.8505
103.19E-6	1 CS1	18.35000	24.00000	-3.50000	-1.57095	-3.7250	-0.031635	-4.5266
80.649E-6	1 CS1	18.07500	24.00000	-3.50000	-1.36390	-3.7250	-0.019635	-3.6029
64.602E-6	1 CS1	17.80000	24.00000	-3.50000	-1.18943	-3.7250	-0.012896	-2.9298
52.761E-6	1 CS1	17.52500	24.00000	-3.50000	-1.04037	-3.7250	-0.0088436	-2.4232
43.773E-6	1 CS1	17.25000	24.00000	-3.50000	-0.91175	-3.7250	-0.0062752	-2.0322
36.793E-6	1 CS1	16.97500	24.00000	-3.50000	-0.79998	-3.7250	-0.0045775	-1.7241
31.269E-6	1 CS1	16.70000	24.00000	-3.50000	-0.70233	-3.7250	-0.0034166	-1.4772
26.829E-6	1 CS1	16.42500	24.00000	-3.50000	-0.61669	-3.7250	-0.0026000	-1.2766
23.212E-6	1 CS1	16.15000	24.00000	-3.50000	-0.54136	-3.7250	-0.0020118	-1.1116
20.231E-6	1 CS1	15.87500	24.00000	-3.50000	-0.47494	-3.7250	-0.0015794	-0.97453
17.750E-6	1 CS1	15.60000	24.00000	-3.50000	-0.41629	-3.7250	-0.0012558	-0.85951
15.665E-6	1 CS1	15.32500	24.00000	-3.50000	-0.36442	-3.7250	-0.0010099	-0.76222
13.899E-6	1 CS1	15.05000	24.00000	-3.50000	-0.31850	-3.7250	-820.48E-6	-0.67931
12.393E-6	1 CS1	14.77500	24.00000	-3.50000	-0.27781	-3.7250	-672.73E-6	-0.60819
11.100E-6	1 CS1	14.50000	24.00000	-3.50000	-0.24173	-3.7250	-556.21E-6	-0.54680
9.9835E-6	2 CS2	20.00000	20.00000	-3.50000	-2.53178	-3.6800	-15.750	-41.504
-402.83E-6	2 CS2	20.32500	20.00000	-3.50000	-3.38042	-3.6800	-30.678	-70.282
-978.26E-6	2 CS2	20.65000	20.00000	-3.50000	-3.77823	-3.6800	-31.370	-76.600
-913.54E-6	2 CS2	20.97500	20.00000	-3.50000	-4.03462	-3.6800	-31.459	-78.902
-877.95E-6	2 CS2	21.30000	20.00000	-3.50000	-4.20943	-3.6800	-31.482	-80.038
-858.82E-6	2 CS2	21.62500	20.00000	-3.50000	-4.33106	-3.6800	-31.490	-80.679



-847.67E-6							
2 CS2	21.95000	20.00000	-3.50000	-4.41414	-3.6800	-31.494	-81.056
-841.01E-6							
2 CS2	22.27500	20.00000	-3.50000	-4.46627	-3.6800	-31.495	-81.264
-837.31E-6							
2 CS2	22.60000	20.00000	-3.50000	-4.49093	-3.6800	-31.496	-81.341
-835.93E-6							
2 CS2	22.92500	20.00000	-3.50000	-4.48858	-3.6800	-31.495	-81.291
-836.78E-6							
2 CS2	23.25000	20.00000	-3.50000	-4.45671	-3.6800	-31.492	-81.089
-840.31E-6							
2 CS2	23.57500	20.00000	-3.50000	-4.38868	-3.6800	-31.486	-80.653
-847.81E-6							
2 CS2	23.90000	20.00000	-3.50000	-4.27080	-3.6800	-31.466	-79.778
-862.42E-6							
2 CS2	24.22500	20.00000	-3.50000	-4.07567	-3.6800	-31.390	-77.857
-891.98E-6							
2 CS2	24.55000	20.00000	-3.50000	-3.74535	-3.6800	-30.825	-72.382
-950.62E-6							
2 CS2	24.87500	20.00000	-3.50000	-3.01056	-3.6800	-18.514	-46.776
-510.40E-6							
2 CS2	25.20000	20.00000	-3.50000	-2.61391	-3.7250	-1.6726	-18.391
213.59E-6							
2 CS2	25.52500	20.00000	-3.50000	-2.20143	-3.7250	-0.30656	-10.547
170.71E-6							
2 CS2	25.85000	20.00000	-3.50000	-1.91167	-3.7250	-0.12065	-7.5590
129.67E-6							
2 CS2	26.17500	20.00000	-3.50000	-1.68116	-3.7250	-0.069251	-5.9115
103.26E-6							
2 CS2	26.50000	20.00000	-3.50000	-1.48340	-3.7250	-0.045549	-4.7672
84.034E-6							
3 CS3	23.25000	20.00000	-3.50000	-4.45671	-3.6800	-31.492	-81.089
-840.31E-6							
3 CS3	23.25000	19.40000	-3.50000	-2.60971	-3.7250	-0.59168	-15.078
232.71E-6							
3 CS3	23.25000	18.80000	-3.50000	-1.71928	-3.7250	-0.078376	-6.2546
108.88E-6							
3 CS3	23.25000	18.20000	-3.50000	-1.21480	-3.7250	-0.021808	-3.4309
61.288E-6							
3 CS3	23.25000	17.60000	-3.50000	-0.88618	-3.7250	-0.0084317	-2.1488
38.772E-6							
3 CS3	23.25000	17.00000	-3.50000	-0.65540	-3.7250	-0.0039323	-1.4577
26.433E-6							
3 CS3	23.25000	16.40000	-3.50000	-0.48688	-3.7250	-0.0020724	-1.0440
18.987E-6							
3 CS3	23.25000	15.80000	-3.50000	-0.36123	-3.7250	-0.0011909	-0.77814
14.178E-6							
3 CS3	23.25000	15.20000	-3.50000	-0.26639	-3.7250	-730.30E-6	-0.59804
10.910E-6							
3 CS3	23.25000	14.60000	-3.50000	-0.19430	-3.7250	-471.08E-6	-0.47101
8.6004E-6							
3 CS3	23.25000	14.00000	-3.50000	-0.13927	-3.7250	-316.49E-6	-0.37846
6.9151E-6							
3 CS3	23.25000	13.40000	-3.50000	-0.09717	-3.7250	-219.87E-6	-0.30923
5.6529E-6							
3 CS3	23.25000	12.80000	-3.50000	-0.06494	-3.7250	-157.08E-6	-0.25627
4.6867E-6							
3 CS3	23.25000	12.20000	-3.50000	-0.04031	-3.7250	-114.94E-6	-0.21500
3.9331E-6							
3 CS3	23.25000	11.60000	-3.50000	-0.02152	-3.7250	-85.843E-6	-0.18230
3.3358E-6							
3 CS3	23.25000	11.00000	-3.50000	-0.00725	-3.7250	-65.272E-6	-0.15603
2.8557E-6							
3 CS3	23.25000	10.40000	-3.50000	0.00350	-3.7250	-50.417E-6	-0.13466
2.4651E-6							
3 CS3	23.25000	9.80000	-3.50000	0.01154	-3.7250	-39.489E-6	-0.11708
2.1436E-6							
3 CS3	23.25000	9.20000	-3.50000	0.01747	-3.7250	-31.317E-6	-0.10248
1.8765E-6							
3 CS3	23.25000	8.60000	-3.50000	0.02176	-3.7250	-25.116E-6	-0.090244
1.6526E-6							

3 CS3            23.25000    8.00000    -3.50000    0.02477    -3.7250   -20.347E-6   -0.079905  
 1.4634E-6

### Results : Consolidation : Displacement Data : Lines

None

### Results : Total : Displacement Data : Lines

None

### Results : Immediate : Displacement Data : Grids

Ref.	Name	x	y	z	δz	Stress:	Stress:	
Stress:	Vert.					Calc.	Vertical	Sum
Princ.	Strain					Level		
[kN/m <sup>2</sup> ]	[μ]	[m]	[m]	[mOD]	[mm]	[mOD]	[kN/m <sup>2</sup> ]	
1	Displacement Grid 1	0.25000	0.50000	-3.50000	0.01224	-3.7250	-468.63E-9	
-0.0087074	159.60E-9							
1	Displacement Grid 1	1.25000	0.50000	-3.50000	0.01285	-3.7250	-522.48E-9	
-0.0092880	170.24E-9							
1	Displacement Grid 1	2.25000	0.50000	-3.50000	0.01348	-3.7250	-582.40E-9	
-0.0099058	181.56E-9							
1	Displacement Grid 1	3.25000	0.50000	-3.50000	0.01413	-3.7250	-648.90E-9	
-0.010562	193.58E-9							
1	Displacement Grid 1	4.25000	0.50000	-3.50000	0.01478	-3.7250	-722.48E-9	
-0.011255	206.29E-9							
1	Displacement Grid 1	5.25000	0.50000	-3.50000	0.01545	-3.7250	-803.55E-9	
-0.011987	219.70E-9							
1	Displacement Grid 1	6.25000	0.50000	-3.50000	0.01613	-3.7250	-892.46E-9	
-0.012755	233.77E-9							
1	Displacement Grid 1	7.25000	0.50000	-3.50000	0.01681	-3.7250	-989.43E-9	
-0.013557	248.47E-9							
1	Displacement Grid 1	8.25000	0.50000	-3.50000	0.01748	-3.7250	-1.0945E-6	
-0.014390	263.73E-9							
1	Displacement Grid 1	9.25000	0.50000	-3.50000	0.01815	-3.7250	-1.2074E-6	
-0.015249	279.47E-9							
1	Displacement Grid 1	10.25000	0.50000	-3.50000	0.01880	-3.7250	-1.3277E-6	
-0.016128	295.58E-9							
1	Displacement Grid 1	11.25000	0.50000	-3.50000	0.01943	-3.7250	-1.4545E-6	
-0.017020	311.92E-9							
1	Displacement Grid 1	12.25000	0.50000	-3.50000	0.02004	-3.7250	-1.5865E-6	
-0.017914	328.31E-9							
1	Displacement Grid 1	13.25000	0.50000	-3.50000	0.02061	-3.7250	-1.7218E-6	
-0.018801	344.55E-9							
1	Displacement Grid 1	14.25000	0.50000	-3.50000	0.02114	-3.7250	-1.8583E-6	
-0.019666	360.40E-9							
1	Displacement Grid 1	15.25000	0.50000	-3.50000	0.02163	-3.7250	-1.9932E-6	
-0.020496	375.61E-9							
1	Displacement Grid 1	16.25000	0.50000	-3.50000	0.02207	-3.7250	-2.1234E-6	
-0.021275	389.89E-9							
1	Displacement Grid 1	17.25000	0.50000	-3.50000	0.02246	-3.7250	-2.2453E-6	
-0.021989	402.96E-9							
1	Displacement Grid 1	18.25000	0.50000	-3.50000	0.02280	-3.7250	-2.3555E-6	
-0.022620	414.53E-9							
1	Displacement Grid 1	19.25000	0.50000	-3.50000	0.02307	-3.7250	-2.4502E-6	
-0.023155	424.33E-9							
1	Displacement Grid 1	20.25000	0.50000	-3.50000	0.02328	-3.7250	-2.5263E-6	
-0.023580	432.11E-9							
1	Displacement Grid 1	21.25000	0.50000	-3.50000	0.02343	-3.7250	-2.5808E-6	
-0.023883	437.67E-9							
1	Displacement Grid 1	22.25000	0.50000	-3.50000	0.02352	-3.7250	-2.6119E-6	
-0.024058	440.87E-9							

1 Displacement Grid 1	23.25000	0.50000	-3.50000	0.02355	-3.7250	-2.6182E-6
-0.024098 441.61E-9						
1 Displacement Grid 1	24.25000	0.50000	-3.50000	0.02351	-3.7250	-2.5997E-6
-0.024004 439.88E-9						
1 Displacement Grid 1	25.25000	0.50000	-3.50000	0.02341	-3.7250	-2.5569E-6
-0.023778 435.74E-9						
1 Displacement Grid 1	26.25000	0.50000	-3.50000	0.02324	-3.7250	-2.4918E-6
-0.023426 429.29E-9						
1 Displacement Grid 1	27.25000	0.50000	-3.50000	0.02301	-3.7250	-2.4068E-6
-0.022958 420.71E-9						
1 Displacement Grid 1	28.25000	0.50000	-3.50000	0.02272	-3.7250	-2.3048E-6
-0.022386 410.23E-9						
1 Displacement Grid 1	29.25000	0.50000	-3.50000	0.02237	-3.7250	-2.1895E-6
-0.021724 398.10E-9						
1 Displacement Grid 1	30.25000	0.50000	-3.50000	0.02197	-3.7250	-2.0642E-6
-0.020987 384.61E-9						
1 Displacement Grid 1	31.25000	0.50000	-3.50000	0.02151	-3.7250	-1.9326E-6
-0.020191 370.02E-9						
1 Displacement Grid 1	32.25000	0.50000	-3.50000	0.02101	-3.7250	-1.7978E-6
-0.019351 354.64E-9						
1 Displacement Grid 1	33.25000	0.50000	-3.50000	0.02046	-3.7250	-1.6627E-6
-0.018482 338.71E-9						
1 Displacement Grid 1	34.25000	0.50000	-3.50000	0.01988	-3.7250	-1.5298E-6
-0.017597 322.50E-9						
1 Displacement Grid 1	35.25000	0.50000	-3.50000	0.01927	-3.7250	-1.4011E-6
-0.016708 306.21E-9						
1 Displacement Grid 1	36.25000	0.50000	-3.50000	0.01863	-3.7250	-1.2780E-6
-0.015825 290.03E-9						
1 Displacement Grid 1	37.25000	0.50000	-3.50000	0.01797	-3.7250	-1.1616E-6
-0.014957 274.13E-9						
1 Displacement Grid 1	38.25000	0.50000	-3.50000	0.01730	-3.7250	-1.0528E-6
-0.014111 258.63E-9						
1 Displacement Grid 1	39.25000	0.50000	-3.50000	0.01662	-3.7250	-951.69E-9
-0.013293 243.63E-9						
1 Displacement Grid 1	40.25000	0.50000	-3.50000	0.01595	-3.7250	-858.56E-9
-0.012506 229.21E-9						
1 Displacement Grid 1	41.25000	0.50000	-3.50000	0.01527	-3.7250	-773.26E-9
-0.011753 215.42E-9						
1 Displacement Grid 1	42.25000	0.50000	-3.50000	0.01461	-3.7250	-695.54E-9
-0.011037 202.30E-9						
1 Displacement Grid 1	43.25000	0.50000	-3.50000	0.01395	-3.7250	-625.04E-9
-0.010359 189.86E-9						
1 Displacement Grid 1	44.25000	0.50000	-3.50000	0.01331	-3.7250	-561.31E-9
-0.0097176 178.11E-9						
1 Displacement Grid 1	45.25000	0.50000	-3.50000	0.01269	-3.7250	-503.89E-9
-0.0091137 167.05E-9						
1 Displacement Grid 1	46.25000	0.50000	-3.50000	0.01208	-3.7250	-452.26E-9
-0.0085462 156.65E-9						
1 Displacement Grid 1	0.25000	1.50000	-3.50000	0.01287	-3.7250	-523.67E-9
-0.0093029 170.51E-9						
1 Displacement Grid 1	1.25000	1.50000	-3.50000	0.01353	-3.7250	-586.81E-9
-0.0099528 182.43E-9						
1 Displacement Grid 1	2.25000	1.50000	-3.50000	0.01421	-3.7250	-657.59E-9
-0.010648 195.16E-9						
1 Displacement Grid 1	3.25000	1.50000	-3.50000	0.01491	-3.7250	-736.75E-9
-0.011390 208.76E-9						
1 Displacement Grid 1	4.25000	1.50000	-3.50000	0.01563	-3.7250	-825.03E-9
-0.012179 223.22E-9						
1 Displacement Grid 1	5.25000	1.50000	-3.50000	0.01636	-3.7250	-923.11E-9
-0.013016 238.56E-9						
1 Displacement Grid 1	6.25000	1.50000	-3.50000	0.01709	-3.7250	-1.0316E-6
-0.013900 254.75E-9						
1 Displacement Grid 1	7.25000	1.50000	-3.50000	0.01783	-3.7250	-1.1510E-6
-0.014829 271.77E-9						
1 Displacement Grid 1	8.25000	1.50000	-3.50000	0.01857	-3.7250	-1.2815E-6
-0.015799 289.56E-9						
1 Displacement Grid 1	9.25000	1.50000	-3.50000	0.01929	-3.7250	-1.4231E-6
-0.016807 308.02E-9						
1 Displacement Grid 1	10.25000	1.50000	-3.50000	0.02000	-3.7250	-1.5754E-6
-0.017845 327.04E-9						
1 Displacement Grid 1	11.25000	1.50000	-3.50000	0.02068	-3.7250	-1.7374E-6

-0.018905	346.46E-9						
1 Displacement Grid 1		12.25000	1.50000	-3.50000	0.02133	-3.7250	-1.9076E-6
-0.019974	366.06E-9						
1 Displacement Grid 1		13.25000	1.50000	-3.50000	0.02195	-3.7250	-2.0837E-6
-0.021041	385.60E-9						
1 Displacement Grid 1		14.25000	1.50000	-3.50000	0.02252	-3.7250	-2.2630E-6
-0.022089	404.79E-9						
1 Displacement Grid 1		15.25000	1.50000	-3.50000	0.02304	-3.7250	-2.4416E-6
-0.023100	423.31E-9						
1 Displacement Grid 1		16.25000	1.50000	-3.50000	0.02350	-3.7250	-2.6153E-6
-0.024054	440.80E-9						
1 Displacement Grid 1		17.25000	1.50000	-3.50000	0.02391	-3.7250	-2.7792E-6
-0.024932	456.89E-9						
1 Displacement Grid 1		18.25000	1.50000	-3.50000	0.02426	-3.7250	-2.9282E-6
-0.025713	471.19E-9						
1 Displacement Grid 1		19.25000	1.50000	-3.50000	0.02454	-3.7250	-3.0570E-6
-0.026376	483.34E-9						
1 Displacement Grid 1		20.25000	1.50000	-3.50000	0.02476	-3.7250	-3.1608E-6
-0.026905	493.02E-9						
1 Displacement Grid 1		21.25000	1.50000	-3.50000	0.02492	-3.7250	-3.2354E-6
-0.027283	499.95E-9						
1 Displacement Grid 1		22.25000	1.50000	-3.50000	0.02501	-3.7250	-3.2778E-6
-0.027500	503.93E-9						
1 Displacement Grid 1		23.25000	1.50000	-3.50000	0.02504	-3.7250	-3.2863E-6
-0.027550	504.85E-9						
1 Displacement Grid 1		24.25000	1.50000	-3.50000	0.02500	-3.7250	-3.2604E-6
-0.027431	502.67E-9						
1 Displacement Grid 1		25.25000	1.50000	-3.50000	0.02490	-3.7250	-3.2015E-6
-0.027148	497.47E-9						
1 Displacement Grid 1		26.25000	1.50000	-3.50000	0.02473	-3.7250	-3.1122E-6
-0.026708	489.42E-9						
1 Displacement Grid 1		27.25000	1.50000	-3.50000	0.02449	-3.7250	-2.9960E-6
-0.026125	478.74E-9						
1 Displacement Grid 1		28.25000	1.50000	-3.50000	0.02419	-3.7250	-2.8576E-6
-0.025416	465.74E-9						
1 Displacement Grid 1		29.25000	1.50000	-3.50000	0.02383	-3.7250	-2.7020E-6
-0.024598	450.77E-9						
1 Displacement Grid 1		30.25000	1.50000	-3.50000	0.02340	-3.7250	-2.5342E-6
-0.023693	434.19E-9						
1 Displacement Grid 1		31.25000	1.50000	-3.50000	0.02292	-3.7250	-2.3593E-6
-0.022721	416.38E-9						
1 Displacement Grid 1		32.25000	1.50000	-3.50000	0.02238	-3.7250	-2.1816E-6
-0.021701	397.68E-9						
1 Displacement Grid 1		33.25000	1.50000	-3.50000	0.02180	-3.7250	-2.0052E-6
-0.020651	378.46E-9						
1 Displacement Grid 1		34.25000	1.50000	-3.50000	0.02117	-3.7250	-1.8331E-6
-0.019589	359.00E-9						
1 Displacement Grid 1		35.25000	1.50000	-3.50000	0.02051	-3.7250	-1.6679E-6
-0.018529	339.57E-9						
1 Displacement Grid 1		36.25000	1.50000	-3.50000	0.01981	-3.7250	-1.5115E-6
-0.017483	320.41E-9						
1 Displacement Grid 1		37.25000	1.50000	-3.50000	0.01910	-3.7250	-1.3650E-6
-0.016461	301.69E-9						
1 Displacement Grid 1		38.25000	1.50000	-3.50000	0.01837	-3.7250	-1.2291E-6
-0.015472	283.56E-9						
1 Displacement Grid 1		39.25000	1.50000	-3.50000	0.01763	-3.7250	-1.1041E-6
-0.014520	266.13E-9						
1 Displacement Grid 1		40.25000	1.50000	-3.50000	0.01690	-3.7250	-989.92E-9
-0.013611	249.47E-9						
1 Displacement Grid 1		41.25000	1.50000	-3.50000	0.01616	-3.7250	-886.24E-9
-0.012748	233.64E-9						
1 Displacement Grid 1		42.25000	1.50000	-3.50000	0.01544	-3.7250	-792.55E-9
-0.011930	218.66E-9						
1 Displacement Grid 1		43.25000	1.50000	-3.50000	0.01472	-3.7250	-708.24E-9
-0.011160	204.54E-9						
1 Displacement Grid 1		44.25000	1.50000	-3.50000	0.01403	-3.7250	-632.62E-9
-0.010436	191.27E-9						
1 Displacement Grid 1		45.25000	1.50000	-3.50000	0.01335	-3.7250	-564.98E-9
-0.0097574	178.84E-9						
1 Displacement Grid 1		46.25000	1.50000	-3.50000	0.01270	-3.7250	-504.60E-9
-0.0091231	167.22E-9						

1 Displacement Grid 1	0.25000	2.50000	-3.50000	0.01352	-3.7250	-585.14E-9
-0.0099386 182.16E-9						
1 Displacement Grid 1	1.25000	2.50000	-3.50000	0.01423	-3.7250	-659.19E-9
-0.010666 195.50E-9						
1 Displacement Grid 1	2.25000	2.50000	-3.50000	0.01497	-3.7250	-742.83E-9
-0.011449 209.84E-9						
1 Displacement Grid 1	3.25000	2.50000	-3.50000	0.01573	-3.7250	-837.14E-9
-0.012288 225.22E-9						
1 Displacement Grid 1	4.25000	2.50000	-3.50000	0.01651	-3.7250	-943.19E-9
-0.013187 241.69E-9						
1 Displacement Grid 1	5.25000	2.50000	-3.50000	0.01730	-3.7250	-1.0621E-6
-0.014146 259.26E-9						
1 Displacement Grid 1	6.25000	2.50000	-3.50000	0.01809	-3.7250	-1.1948E-6
-0.015165 277.93E-9						
1 Displacement Grid 1	7.25000	2.50000	-3.50000	0.01889	-3.7250	-1.3422E-6
-0.016243 297.68E-9						
1 Displacement Grid 1	8.25000	2.50000	-3.50000	0.01969	-3.7250	-1.5050E-6
-0.017377 318.47E-9						
1 Displacement Grid 1	9.25000	2.50000	-3.50000	0.02047	-3.7250	-1.6834E-6
-0.018563 340.19E-9						
1 Displacement Grid 1	10.25000	2.50000	-3.50000	0.02123	-3.7250	-1.8772E-6
-0.019793 362.73E-9						
1 Displacement Grid 1	11.25000	2.50000	-3.50000	0.02196	-3.7250	-2.0856E-6
-0.021058 385.90E-9						
1 Displacement Grid 1	12.25000	2.50000	-3.50000	0.02266	-3.7250	-2.3067E-6
-0.022344 409.46E-9						
1 Displacement Grid 1	13.25000	2.50000	-3.50000	0.02330	-3.7250	-2.5380E-6
-0.023635 433.12E-9						
1 Displacement Grid 1	14.25000	2.50000	-3.50000	0.02390	-3.7250	-2.7756E-6
-0.024912 456.51E-9						
1 Displacement Grid 1	15.25000	2.50000	-3.50000	0.02444	-3.7250	-3.0147E-6
-0.026152 479.23E-9						
1 Displacement Grid 1	16.25000	2.50000	-3.50000	0.02492	-3.7250	-3.2493E-6
-0.027330 500.82E-9						
1 Displacement Grid 1	17.25000	2.50000	-3.50000	0.02534	-3.7250	-3.4724E-6
-0.028420 520.78E-9						
1 Displacement Grid 1	18.25000	2.50000	-3.50000	0.02569	-3.7250	-3.6766E-6
-0.029394 538.62E-9						
1 Displacement Grid 1	19.25000	2.50000	-3.50000	0.02597	-3.7250	-3.8542E-6
-0.030225 553.85E-9						
1 Displacement Grid 1	20.25000	2.50000	-3.50000	0.02619	-3.7250	-3.9980E-6
-0.030889 566.01E-9						
1 Displacement Grid 1	21.25000	2.50000	-3.50000	0.02634	-3.7250	-4.1016E-6
-0.031366 574.73E-9						
1 Displacement Grid 1	22.25000	2.50000	-3.50000	0.02643	-3.7250	-4.1605E-6
-0.031639 579.74E-9						
1 Displacement Grid 1	23.25000	2.50000	-3.50000	0.02646	-3.7250	-4.1719E-6
-0.031701 580.87E-9						
1 Displacement Grid 1	24.25000	2.50000	-3.50000	0.02643	-3.7250	-4.1354E-6
-0.031549 578.09E-9						
1 Displacement Grid 1	25.25000	2.50000	-3.50000	0.02633	-3.7250	-4.0528E-6
-0.031190 571.51E-9						
1 Displacement Grid 1	26.25000	2.50000	-3.50000	0.02617	-3.7250	-3.9283E-6
-0.030634 561.34E-9						
1 Displacement Grid 1	27.25000	2.50000	-3.50000	0.02594	-3.7250	-3.7673E-6
-0.029902 547.92E-9						
1 Displacement Grid 1	28.25000	2.50000	-3.50000	0.02564	-3.7250	-3.5768E-6
-0.029014 531.65E-9						
1 Displacement Grid 1	29.25000	2.50000	-3.50000	0.02527	-3.7250	-3.3641E-6
-0.027996 513.00E-9						
1 Displacement Grid 1	30.25000	2.50000	-3.50000	0.02484	-3.7250	-3.1367E-6
-0.026875 492.47E-9						
1 Displacement Grid 1	31.25000	2.50000	-3.50000	0.02434	-3.7250	-2.9017E-6
-0.025677 470.54E-9						
1 Displacement Grid 1	32.25000	2.50000	-3.50000	0.02378	-3.7250	-2.6652E-6
-0.024429 447.68E-9						
1 Displacement Grid 1	33.25000	2.50000	-3.50000	0.02316	-3.7250	-2.4327E-6
-0.023154 424.32E-9						
1 Displacement Grid 1	34.25000	2.50000	-3.50000	0.02249	-3.7250	-2.2081E-6
-0.021873 400.84E-9						
1 Displacement Grid 1	35.25000	2.50000	-3.50000	0.02178	-3.7250	-1.9948E-6

-0.020603	377.57E-9						
1 Displacement Grid 1	36.25000	2.50000	-3.50000	0.02104	-3.7250	-1.7947E-6	
-0.019359	354.77E-9						
1 Displacement Grid 1	37.25000	2.50000	-3.50000	0.02027	-3.7250	-1.6093E-6	
-0.018152	332.66E-9						
1 Displacement Grid 1	38.25000	2.50000	-3.50000	0.01948	-3.7250	-1.4389E-6	
-0.016991	311.40E-9						
1 Displacement Grid 1	39.25000	2.50000	-3.50000	0.01868	-3.7250	-1.2838E-6	
-0.015883	291.09E-9						
1 Displacement Grid 1	40.25000	2.50000	-3.50000	0.01788	-3.7250	-1.1434E-6	
-0.014830	271.81E-9						
1 Displacement Grid 1	41.25000	2.50000	-3.50000	0.01709	-3.7250	-1.0171E-6	
-0.013837	253.60E-9						
1 Displacement Grid 1	42.25000	2.50000	-3.50000	0.01630	-3.7250	-904.02E-9	
-0.012903	236.48E-9						
1 Displacement Grid 1	43.25000	2.50000	-3.50000	0.01553	-3.7250	-803.07E-9	
-0.012027	220.44E-9						
1 Displacement Grid 1	44.25000	2.50000	-3.50000	0.01477	-3.7250	-713.27E-9	
-0.011209	205.45E-9						
1 Displacement Grid 1	45.25000	2.50000	-3.50000	0.01404	-3.7250	-633.56E-9	
-0.010447	191.49E-9						
1 Displacement Grid 1	46.25000	2.50000	-3.50000	0.01334	-3.7250	-562.94E-9	
-0.0097384	178.50E-9						
1 Displacement Grid 1	0.25000	3.50000	-3.50000	0.01419	-3.7250	-653.63E-9	
-0.010616	194.58E-9						
1 Displacement Grid 1	1.25000	3.50000	-3.50000	0.01496	-3.7250	-740.44E-9	
-0.011430	209.50E-9						
1 Displacement Grid 1	2.25000	3.50000	-3.50000	0.01575	-3.7250	-839.30E-9	
-0.012311	225.64E-9						
1 Displacement Grid 1	3.25000	3.50000	-3.50000	0.01657	-3.7250	-951.70E-9	
-0.013262	243.06E-9						
1 Displacement Grid 1	4.25000	3.50000	-3.50000	0.01741	-3.7250	-1.0792E-6	
-0.014285	261.82E-9						
1 Displacement Grid 1	5.25000	3.50000	-3.50000	0.01827	-3.7250	-1.2236E-6	
-0.015385	281.97E-9						
1 Displacement Grid 1	6.25000	3.50000	-3.50000	0.01913	-3.7250	-1.3863E-6	
-0.016561	303.52E-9						
1 Displacement Grid 1	7.25000	3.50000	-3.50000	0.01999	-3.7250	-1.5689E-6	
-0.017815	326.49E-9						
1 Displacement Grid 1	8.25000	3.50000	-3.50000	0.02084	-3.7250	-1.7727E-6	
-0.019144	350.84E-9						
1 Displacement Grid 1	9.25000	3.50000	-3.50000	0.02168	-3.7250	-1.9985E-6	
-0.020544	376.49E-9						
1 Displacement Grid 1	10.25000	3.50000	-3.50000	0.02249	-3.7250	-2.2465E-6	
-0.022007	403.29E-9						
1 Displacement Grid 1	11.25000	3.50000	-3.50000	0.02326	-3.7250	-2.5162E-6	
-0.023523	431.07E-9						
1 Displacement Grid 1	12.25000	3.50000	-3.50000	0.02398	-3.7250	-2.8058E-6	
-0.025077	459.54E-9						
1 Displacement Grid 1	13.25000	3.50000	-3.50000	0.02466	-3.7250	-3.1122E-6	
-0.026650	488.35E-9						
1 Displacement Grid 1	14.25000	3.50000	-3.50000	0.02526	-3.7250	-3.4305E-6	
-0.028217	517.06E-9						
1 Displacement Grid 1	15.25000	3.50000	-3.50000	0.02581	-3.7250	-3.7542E-6	
-0.029750	545.15E-9						
1 Displacement Grid 1	16.25000	3.50000	-3.50000	0.02628	-3.7250	-4.0751E-6	
-0.031218	572.02E-9						
1 Displacement Grid 1	17.25000	3.50000	-3.50000	0.02668	-3.7250	-4.3831E-6	
-0.032583	597.04E-9						
1 Displacement Grid 1	18.25000	3.50000	-3.50000	0.02700	-3.7250	-4.6672E-6	
-0.033810	619.51E-9						
1 Displacement Grid 1	19.25000	3.50000	-3.50000	0.02727	-3.7250	-4.9160E-6	
-0.034863	638.78E-9						
1 Displacement Grid 1	20.25000	3.50000	-3.50000	0.02746	-3.7250	-5.1184E-6	
-0.035706	654.23E-9						
1 Displacement Grid 1	21.25000	3.50000	-3.50000	0.02760	-3.7250	-5.2648E-6	
-0.036313	665.34E-9						
1 Displacement Grid 1	22.25000	3.50000	-3.50000	0.02769	-3.7250	-5.3478E-6	
-0.036660	671.71E-9						
1 Displacement Grid 1	23.25000	3.50000	-3.50000	0.02772	-3.7250	-5.3633E-6	
-0.036738	673.13E-9						

1 Displacement Grid 1	24.25000	3.50000	-3.50000	0.02769	-3.7250	-5.3107E-6
-0.036542 669.54E-9						
1 Displacement Grid 1	25.25000	3.50000	-3.50000	0.02761	-3.7250	-5.1930E-6
-0.036081 661.10E-9						
1 Displacement Grid 1	26.25000	3.50000	-3.50000	0.02747	-3.7250	-5.0164E-6
-0.035372 648.12E-9						
1 Displacement Grid 1	27.25000	3.50000	-3.50000	0.02726	-3.7250	-4.7898E-6
-0.034440 631.05E-9						
1 Displacement Grid 1	28.25000	3.50000	-3.50000	0.02699	-3.7250	-4.5235E-6
-0.033317 610.48E-9						
1 Displacement Grid 1	29.25000	3.50000	-3.50000	0.02664	-3.7250	-4.2287E-6
-0.032037 587.03E-9						
1 Displacement Grid 1	30.25000	3.50000	-3.50000	0.02622	-3.7250	-3.9165E-6
-0.030636 561.37E-9						
1 Displacement Grid 1	31.25000	3.50000	-3.50000	0.02573	-3.7250	-3.5971E-6
-0.029150 534.16E-9						
1 Displacement Grid 1	32.25000	3.50000	-3.50000	0.02516	-3.7250	-3.2791E-6
-0.027613 506.00E-9						
1 Displacement Grid 1	33.25000	3.50000	-3.50000	0.02452	-3.7250	-2.9696E-6
-0.026054 477.44E-9						
1 Displacement Grid 1	34.25000	3.50000	-3.50000	0.02383	-3.7250	-2.6743E-6
-0.024499 448.96E-9						
1 Displacement Grid 1	35.25000	3.50000	-3.50000	0.02308	-3.7250	-2.3967E-6
-0.022970 420.94E-9						
1 Displacement Grid 1	36.25000	3.50000	-3.50000	0.02229	-3.7250	-2.1394E-6
-0.021484 393.72E-9						
1 Displacement Grid 1	37.25000	3.50000	-3.50000	0.02147	-3.7250	-1.9034E-6
-0.020054 367.51E-9						
1 Displacement Grid 1	38.25000	3.50000	-3.50000	0.02063	-3.7250	-1.6891E-6
-0.018688 342.49E-9						
1 Displacement Grid 1	39.25000	3.50000	-3.50000	0.01977	-3.7250	-1.4959E-6
-0.017394 318.77E-9						
1 Displacement Grid 1	40.25000	3.50000	-3.50000	0.01890	-3.7250	-1.3229E-6
-0.016174 296.42E-9						
1 Displacement Grid 1	41.25000	3.50000	-3.50000	0.01804	-3.7250	-1.1688E-6
-0.015030 275.46E-9						
1 Displacement Grid 1	42.25000	3.50000	-3.50000	0.01719	-3.7250	-1.0320E-6
-0.013961 255.87E-9						
1 Displacement Grid 1	43.25000	3.50000	-3.50000	0.01636	-3.7250	-911.03E-9
-0.012966 237.64E-9						
1 Displacement Grid 1	44.25000	3.50000	-3.50000	0.01554	-3.7250	-804.34E-9
-0.012042 220.70E-9						
1 Displacement Grid 1	45.25000	3.50000	-3.50000	0.01475	-3.7250	-710.41E-9
-0.011185 205.01E-9						
1 Displacement Grid 1	46.25000	3.50000	-3.50000	0.01399	-3.7250	-627.83E-9
-0.010393 190.50E-9						
1 Displacement Grid 1	0.25000	4.50000	-3.50000	0.01487	-3.7250	-729.71E-9
-0.011335 207.76E-9						
1 Displacement Grid 1	1.25000	4.50000	-3.50000	0.01570	-3.7250	-831.42E-9
-0.012247 224.46E-9						
1 Displacement Grid 1	2.25000	4.50000	-3.50000	0.01656	-3.7250	-948.22E-9
-0.013238 242.62E-9						
1 Displacement Grid 1	3.25000	4.50000	-3.50000	0.01744	-3.7250	-1.0822E-6
-0.014314 262.35E-9						
1 Displacement Grid 1	4.25000	4.50000	-3.50000	0.01834	-3.7250	-1.2357E-6
-0.015481 283.73E-9						
1 Displacement Grid 1	5.25000	4.50000	-3.50000	0.01926	-3.7250	-1.4111E-6
-0.016743 306.85E-9						
1 Displacement Grid 1	6.25000	4.50000	-3.50000	0.02019	-3.7250	-1.6109E-6
-0.018103 331.77E-9						
1 Displacement Grid 1	7.25000	4.50000	-3.50000	0.02111	-3.7250	-1.8377E-6
-0.019563 358.52E-9						
1 Displacement Grid 1	8.25000	4.50000	-3.50000	0.02202	-3.7250	-2.0937E-6
-0.021124 387.11E-9						
1 Displacement Grid 1	9.25000	4.50000	-3.50000	0.02290	-3.7250	-2.3807E-6
-0.022781 417.47E-9						
1 Displacement Grid 1	10.25000	4.50000	-3.50000	0.02375	-3.7250	-2.7000E-6
-0.024528 449.47E-9						
1 Displacement Grid 1	11.25000	4.50000	-3.50000	0.02454	-3.7250	-3.0515E-6
-0.026353 482.92E-9						
1 Displacement Grid 1	12.25000	4.50000	-3.50000	0.02528	-3.7250	-3.4338E-6

-0.028241	517.51E-9						
1 Displacement Grid 1		13.25000	4.50000	-3.50000	0.02595	-3.7250	-3.8434E-6
-0.030169	552.81E-9						
1 Displacement Grid 1		14.25000	4.50000	-3.50000	0.02654	-3.7250	-4.2745E-6
-0.032106	588.30E-9						
1 Displacement Grid 1		15.25000	4.50000	-3.50000	0.02705	-3.7250	-4.7182E-6
-0.034018	623.31E-9						
1 Displacement Grid 1		16.25000	4.50000	-3.50000	0.02748	-3.7250	-5.1631E-6
-0.035862	657.08E-9						
1 Displacement Grid 1		17.25000	4.50000	-3.50000	0.02783	-3.7250	-5.5947E-6
-0.037590	688.74E-9						
1 Displacement Grid 1		18.25000	4.50000	-3.50000	0.02810	-3.7250	-5.9966E-6
-0.039153	717.37E-9						
1 Displacement Grid 1		19.25000	4.50000	-3.50000	0.02830	-3.7250	-6.3513E-6
-0.040501	742.05E-9						
1 Displacement Grid 1		20.25000	4.50000	-3.50000	0.02845	-3.7250	-6.6415E-6
-0.041586	761.92E-9						
1 Displacement Grid 1		21.25000	4.50000	-3.50000	0.02856	-3.7250	-6.8520E-6
-0.042368	776.24E-9						
1 Displacement Grid 1		22.25000	4.50000	-3.50000	0.02862	-3.7250	-6.9713E-6
-0.042817	784.46E-9						
1 Displacement Grid 1		23.25000	4.50000	-3.50000	0.02865	-3.7250	-6.9927E-6
-0.042914	786.24E-9						
1 Displacement Grid 1		24.25000	4.50000	-3.50000	0.02864	-3.7250	-6.9154E-6
-0.042658	781.54E-9						
1 Displacement Grid 1		25.25000	4.50000	-3.50000	0.02859	-3.7250	-6.7442E-6
-0.042058	770.57E-9						
1 Displacement Grid 1		26.25000	4.50000	-3.50000	0.02850	-3.7250	-6.4891E-6
-0.041141	753.78E-9						
1 Displacement Grid 1		27.25000	4.50000	-3.50000	0.02835	-3.7250	-6.1642E-6
-0.039943	731.83E-9						
1 Displacement Grid 1		28.25000	4.50000	-3.50000	0.02814	-3.7250	-5.7858E-6
-0.038506	705.51E-9						
1 Displacement Grid 1		29.25000	4.50000	-3.50000	0.02785	-3.7250	-5.3711E-6
-0.036879	675.72E-9						
1 Displacement Grid 1		30.25000	4.50000	-3.50000	0.02748	-3.7250	-4.9365E-6
-0.035112	643.35E-9						
1 Displacement Grid 1		31.25000	4.50000	-3.50000	0.02702	-3.7250	-4.4968E-6
-0.033252	609.30E-9						
1 Displacement Grid 1		32.25000	4.50000	-3.50000	0.02648	-3.7250	-4.0643E-6
-0.031344	574.34E-9						
1 Displacement Grid 1		33.25000	4.50000	-3.50000	0.02585	-3.7250	-3.6486E-6
-0.029425	539.20E-9						
1 Displacement Grid 1		34.25000	4.50000	-3.50000	0.02515	-3.7250	-3.2568E-6
-0.027528	504.45E-9						
1 Displacement Grid 1		35.25000	4.50000	-3.50000	0.02438	-3.7250	-2.8932E-6
-0.025679	470.56E-9						
1 Displacement Grid 1		36.25000	4.50000	-3.50000	0.02356	-3.7250	-2.5602E-6
-0.023896	437.91E-9						
1 Displacement Grid 1		37.25000	4.50000	-3.50000	0.02269	-3.7250	-2.2585E-6
-0.022195	406.74E-9						
1 Displacement Grid 1		38.25000	4.50000	-3.50000	0.02180	-3.7250	-1.9878E-6
-0.020584	377.23E-9						
1 Displacement Grid 1		39.25000	4.50000	-3.50000	0.02088	-3.7250	-1.7465E-6
-0.019069	349.48E-9						
1 Displacement Grid 1		40.25000	4.50000	-3.50000	0.01995	-3.7250	-1.5327E-6
-0.017653	323.52E-9						
1 Displacement Grid 1		41.25000	4.50000	-3.50000	0.01903	-3.7250	-1.3443E-6
-0.016334	299.35E-9						
1 Displacement Grid 1		42.25000	4.50000	-3.50000	0.01811	-3.7250	-1.1787E-6
-0.015110	276.93E-9						
1 Displacement Grid 1		43.25000	4.50000	-3.50000	0.01721	-3.7250	-1.0337E-6
-0.013979	256.20E-9						
1 Displacement Grid 1		44.25000	4.50000	-3.50000	0.01633	-3.7250	-906.94E-9
-0.012934	237.06E-9						
1 Displacement Grid 1		45.25000	4.50000	-3.50000	0.01548	-3.7250	-796.29E-9
-0.011973	219.44E-9						
1 Displacement Grid 1		46.25000	4.50000	-3.50000	0.01466	-3.7250	-699.81E-9
-0.011088	203.23E-9						
1 Displacement Grid 1		0.25000	5.50000	-3.50000	0.01557	-3.7250	-813.92E-9
-0.012097	221.72E-9						



1 Displacement Grid 1	1.25000	5.50000	-3.50000	0.01646	-3.7250	-932.95E-9
-0.013116 240.39E-9						
1 Displacement Grid 1	2.25000	5.50000	-3.50000	0.01738	-3.7250	-1.0708E-6
-0.014230 260.81E-9						
1 Displacement Grid 1	3.25000	5.50000	-3.50000	0.01833	-3.7250	-1.2305E-6
-0.015449 283.14E-9						
1 Displacement Grid 1	4.25000	5.50000	-3.50000	0.01929	-3.7250	-1.4152E-6
-0.016779 307.51E-9						
1 Displacement Grid 1	5.25000	5.50000	-3.50000	0.02028	-3.7250	-1.6285E-6
-0.018228 334.06E-9						
1 Displacement Grid 1	6.25000	5.50000	-3.50000	0.02126	-3.7250	-1.8743E-6
-0.019802 362.89E-9						
1 Displacement Grid 1	7.25000	5.50000	-3.50000	0.02224	-3.7250	-2.1565E-6
-0.021505 394.10E-9						
1 Displacement Grid 1	8.25000	5.50000	-3.50000	0.02319	-3.7250	-2.4791E-6
-0.023341 427.74E-9						
1 Displacement Grid 1	9.25000	5.50000	-3.50000	0.02411	-3.7250	-2.8455E-6
-0.025308 463.77E-9						
1 Displacement Grid 1	10.25000	5.50000	-3.50000	0.02498	-3.7250	-3.2586E-6
-0.027402 502.12E-9						
1 Displacement Grid 1	11.25000	5.50000	-3.50000	0.02578	-3.7250	-3.7198E-6
-0.029610 542.58E-9						
1 Displacement Grid 1	12.25000	5.50000	-3.50000	0.02650	-3.7250	-4.2286E-6
-0.031916 584.82E-9						
1 Displacement Grid 1	13.25000	5.50000	-3.50000	0.02713	-3.7250	-4.7817E-6
-0.034294 628.37E-9						
1 Displacement Grid 1	14.25000	5.50000	-3.50000	0.02766	-3.7250	-5.3721E-6
-0.036708 672.57E-9						
1 Displacement Grid 1	15.25000	5.50000	-3.50000	0.02809	-3.7250	-5.9884E-6
-0.039112 716.60E-9						
1 Displacement Grid 1	16.25000	5.50000	-3.50000	0.02841	-3.7250	-6.6144E-6
-0.041451 759.45E-9						
1 Displacement Grid 1	17.25000	5.50000	-3.50000	0.02865	-3.7250	-7.2293E-6
-0.043663 799.96E-9						
1 Displacement Grid 1	18.25000	5.50000	-3.50000	0.02880	-3.7250	-7.8082E-6
-0.045679 836.87E-9						
1 Displacement Grid 1	19.25000	5.50000	-3.50000	0.02889	-3.7250	-8.3236E-6
-0.047428 868.89E-9						
1 Displacement Grid 1	20.25000	5.50000	-3.50000	0.02894	-3.7250	-8.7483E-6
-0.048842 894.80E-9						
1 Displacement Grid 1	21.25000	5.50000	-3.50000	0.02897	-3.7250	-9.0576E-6
-0.049865 913.52E-9						
1 Displacement Grid 1	22.25000	5.50000	-3.50000	0.02900	-3.7250	-9.2326E-6
-0.050451 924.25E-9						
1 Displacement Grid 1	23.25000	5.50000	-3.50000	0.02902	-3.7250	-9.2626E-6
-0.050575 926.53E-9						
1 Displacement Grid 1	24.25000	5.50000	-3.50000	0.02905	-3.7250	-9.1461E-6
-0.050234 920.28E-9						
1 Displacement Grid 1	25.25000	5.50000	-3.50000	0.02907	-3.7250	-8.8915E-6
-0.049443 905.81E-9						
1 Displacement Grid 1	26.25000	5.50000	-3.50000	0.02907	-3.7250	-8.5154E-6
-0.048240 883.78E-9						
1 Displacement Grid 1	27.25000	5.50000	-3.50000	0.02903	-3.7250	-8.0405E-6
-0.046677 855.15E-9						
1 Displacement Grid 1	28.25000	5.50000	-3.50000	0.02894	-3.7250	-7.4929E-6
-0.044816 821.07E-9						
1 Displacement Grid 1	29.25000	5.50000	-3.50000	0.02877	-3.7250	-6.8995E-6
-0.042726 782.79E-9						
1 Displacement Grid 1	30.25000	5.50000	-3.50000	0.02850	-3.7250	-6.2853E-6
-0.040474 741.55E-9						
1 Displacement Grid 1	31.25000	5.50000	-3.50000	0.02814	-3.7250	-5.6719E-6
-0.038125 698.54E-9						
1 Displacement Grid 1	32.25000	5.50000	-3.50000	0.02767	-3.7250	-5.0769E-6
-0.035738 654.81E-9						
1 Displacement Grid 1	33.25000	5.50000	-3.50000	0.02709	-3.7250	-4.5129E-6
-0.033360 611.26E-9						
1 Displacement Grid 1	34.25000	5.50000	-3.50000	0.02641	-3.7250	-3.9886E-6
-0.031031 568.62E-9						
1 Displacement Grid 1	35.25000	5.50000	-3.50000	0.02565	-3.7250	-3.5087E-6
-0.028783 527.43E-9						
1 Displacement Grid 1	36.25000	5.50000	-3.50000	0.02481	-3.7250	-3.0753E-6

-0.026637	488.11E-9						
1 Displacement Grid 1	37.25000	5.50000	-3.50000	0.02391	-3.7250	-2.6879E-6	
-0.024607	450.93E-9						
1 Displacement Grid 1	38.25000	5.50000	-3.50000	0.02297	-3.7250	-2.3446E-6	
-0.022702	416.03E-9						
1 Displacement Grid 1	39.25000	5.50000	-3.50000	0.02200	-3.7250	-2.0423E-6	
-0.020926	383.50E-9						
1 Displacement Grid 1	40.25000	5.50000	-3.50000	0.02102	-3.7250	-1.7778E-6	
-0.019279	353.32E-9						
1 Displacement Grid 1	41.25000	5.50000	-3.50000	0.02003	-3.7250	-1.5471E-6	
-0.017757	325.44E-9						
1 Displacement Grid 1	42.25000	5.50000	-3.50000	0.01905	-3.7250	-1.3466E-6	
-0.016356	299.76E-9						
1 Displacement Grid 1	43.25000	5.50000	-3.50000	0.01808	-3.7250	-1.1727E-6	
-0.015069	276.19E-9						
1 Displacement Grid 1	44.25000	5.50000	-3.50000	0.01714	-3.7250	-1.0222E-6	
-0.013890	254.57E-9						
1 Displacement Grid 1	45.25000	5.50000	-3.50000	0.01623	-3.7250	-891.97E-9	
-0.012810	234.79E-9						
1 Displacement Grid 1	46.25000	5.50000	-3.50000	0.01535	-3.7250	-779.35E-9	
-0.011823	216.70E-9						
1 Displacement Grid 1	0.25000	6.50000	-3.50000	0.01628	-3.7250	-906.73E-9	
-0.012901	236.45E-9						
1 Displacement Grid 1	1.25000	6.50000	-3.50000	0.01723	-3.7250	-1.0458E-6	
-0.014038	257.29E-9						
1 Displacement Grid 1	2.25000	6.50000	-3.50000	0.01821	-3.7250	-1.2084E-6	
-0.015291	280.24E-9						
1 Displacement Grid 1	3.25000	6.50000	-3.50000	0.01922	-3.7250	-1.3985E-6	
-0.016669	305.50E-9						
1 Displacement Grid 1	4.25000	6.50000	-3.50000	0.02026	-3.7250	-1.6206E-6	
-0.018185	333.27E-9						
1 Displacement Grid 1	5.25000	6.50000	-3.50000	0.02130	-3.7250	-1.8801E-6	
-0.019848	363.75E-9						
1 Displacement Grid 1	6.25000	6.50000	-3.50000	0.02234	-3.7250	-2.1827E-6	
-0.021670	397.13E-9						
1 Displacement Grid 1	7.25000	6.50000	-3.50000	0.02336	-3.7250	-2.5344E-6	
-0.023660	433.58E-9						
1 Displacement Grid 1	8.25000	6.50000	-3.50000	0.02435	-3.7250	-2.9419E-6	
-0.025824	473.21E-9						
1 Displacement Grid 1	9.25000	6.50000	-3.50000	0.02529	-3.7250	-3.4114E-6	
-0.028165	516.10E-9						
1 Displacement Grid 1	10.25000	6.50000	-3.50000	0.02615	-3.7250	-3.9487E-6	
-0.030681	562.20E-9						
1 Displacement Grid 1	11.25000	6.50000	-3.50000	0.02692	-3.7250	-4.5578E-6	
-0.033365	611.35E-9						
1 Displacement Grid 1	12.25000	6.50000	-3.50000	0.02758	-3.7250	-5.2407E-6	
-0.036197	663.23E-9						
1 Displacement Grid 1	13.25000	6.50000	-3.50000	0.02811	-3.7250	-5.9950E-6	
-0.039150	717.30E-9						
1 Displacement Grid 1	14.25000	6.50000	-3.50000	0.02851	-3.7250	-6.8133E-6	
-0.042180	772.80E-9						
1 Displacement Grid 1	15.25000	6.50000	-3.50000	0.02877	-3.7250	-7.6814E-6	
-0.045232	828.68E-9						
1 Displacement Grid 1	16.25000	6.50000	-3.50000	0.02890	-3.7250	-8.5768E-6	
-0.048232	883.63E-9						
1 Displacement Grid 1	17.25000	6.50000	-3.50000	0.02892	-3.7250	-9.4688E-6	
-0.051097	936.09E-9						
1 Displacement Grid 1	18.25000	6.50000	-3.50000	0.02886	-3.7250	-10.319E-6	
-0.053731	984.30E-9						
1 Displacement Grid 1	19.25000	6.50000	-3.50000	0.02875	-3.7250	-11.085E-6	
-0.056033	1.0264E-6						
1 Displacement Grid 1	20.25000	6.50000	-3.50000	0.02863	-3.7250	-11.721E-6	
-0.057905	1.0607E-6						
1 Displacement Grid 1	21.25000	6.50000	-3.50000	0.02852	-3.7250	-12.186E-6	
-0.059263	1.0856E-6						
1 Displacement Grid 1	22.25000	6.50000	-3.50000	0.02847	-3.7250	-12.449E-6	
-0.060042	1.0998E-6						
1 Displacement Grid 1	23.25000	6.50000	-3.50000	0.02849	-3.7250	-12.491E-6	
-0.060202	1.1028E-6						
1 Displacement Grid 1	24.25000	6.50000	-3.50000	0.02857	-3.7250	-12.311E-6	
-0.059740	1.0943E-6						

1 Displacement Grid 1	25.25000	6.50000	-3.50000	0.02871	-3.7250	-11.923E-6
-0.058679 1.0749E-6						
1 Displacement Grid 1	26.25000	6.50000	-3.50000	0.02888	-3.7250	-11.355E-6
-0.057076 1.0455E-6						
1 Displacement Grid 1	27.25000	6.50000	-3.50000	0.02904	-3.7250	-10.646E-6
-0.055007 1.0077E-6						
1 Displacement Grid 1	28.25000	6.50000	-3.50000	0.02916	-3.7250	-9.8371E-6
-0.052564 962.94E-9						
1 Displacement Grid 1	29.25000	6.50000	-3.50000	0.02920	-3.7250	-8.9725E-6
-0.049844 913.14E-9						
1 Displacement Grid 1	30.25000	6.50000	-3.50000	0.02914	-3.7250	-8.0903E-6
-0.046943 860.02E-9						
1 Displacement Grid 1	31.25000	6.50000	-3.50000	0.02895	-3.7250	-7.2225E-6
-0.043948 805.18E-9						
1 Displacement Grid 1	32.25000	6.50000	-3.50000	0.02862	-3.7250	-6.3935E-6
-0.040935 750.01E-9						
1 Displacement Grid 1	33.25000	6.50000	-3.50000	0.02816	-3.7250	-5.6202E-6
-0.037968 695.66E-9						
1 Displacement Grid 1	34.25000	6.50000	-3.50000	0.02756	-3.7250	-4.9125E-6
-0.035093 643.01E-9						
1 Displacement Grid 1	35.25000	6.50000	-3.50000	0.02684	-3.7250	-4.2748E-6
-0.032347 592.71E-9						
1 Displacement Grid 1	36.25000	6.50000	-3.50000	0.02602	-3.7250	-3.7075E-6
-0.029752 545.19E-9						
1 Displacement Grid 1	37.25000	6.50000	-3.50000	0.02511	-3.7250	-3.2077E-6
-0.027323 500.69E-9						
1 Displacement Grid 1	38.25000	6.50000	-3.50000	0.02414	-3.7250	-2.7709E-6
-0.025066 459.35E-9						
1 Displacement Grid 1	39.25000	6.50000	-3.50000	0.02313	-3.7250	-2.3915E-6
-0.022981 421.15E-9						
1 Displacement Grid 1	40.25000	6.50000	-3.50000	0.02209	-3.7250	-2.0635E-6
-0.021064 386.02E-9						
1 Displacement Grid 1	41.25000	6.50000	-3.50000	0.02104	-3.7250	-1.7810E-6
-0.019308 353.84E-9						
1 Displacement Grid 1	42.25000	6.50000	-3.50000	0.02000	-3.7250	-1.5382E-6
-0.017703 324.44E-9						
1 Displacement Grid 1	43.25000	6.50000	-3.50000	0.01897	-3.7250	-1.3299E-6
-0.016240 297.64E-9						
1 Displacement Grid 1	44.25000	6.50000	-3.50000	0.01796	-3.7250	-1.1512E-6
-0.014909 273.24E-9						
1 Displacement Grid 1	45.25000	6.50000	-3.50000	0.01698	-3.7250	-998.14E-9
-0.013698 251.06E-9						
1 Displacement Grid 1	46.25000	6.50000	-3.50000	0.01604	-3.7250	-866.89E-9
-0.012598 230.89E-9						
1 Displacement Grid 1	0.25000	7.50000	-3.50000	0.01699	-3.7250	-1.0085E-6
-0.013745 251.91E-9						
1 Displacement Grid 1	1.25000	7.50000	-3.50000	0.01800	-3.7250	-1.1706E-6
-0.015013 275.14E-9						
1 Displacement Grid 1	2.25000	7.50000	-3.50000	0.01905	-3.7250	-1.3619E-6
-0.016418 300.90E-9						
1 Displacement Grid 1	3.25000	7.50000	-3.50000	0.02013	-3.7250	-1.5879E-6
-0.017976 329.44E-9						
1 Displacement Grid 1	4.25000	7.50000	-3.50000	0.02122	-3.7250	-1.8548E-6
-0.019701 361.05E-9						
1 Displacement Grid 1	5.25000	7.50000	-3.50000	0.02232	-3.7250	-2.1703E-6
-0.021611 396.04E-9						
1 Displacement Grid 1	6.25000	7.50000	-3.50000	0.02340	-3.7250	-2.5428E-6
-0.023720 434.69E-9						
1 Displacement Grid 1	7.25000	7.50000	-3.50000	0.02446	-3.7250	-2.9817E-6
-0.026045 477.28E-9						
1 Displacement Grid 1	8.25000	7.50000	-3.50000	0.02547	-3.7250	-3.4975E-6
-0.028599 524.05E-9						
1 Displacement Grid 1	9.25000	7.50000	-3.50000	0.02639	-3.7250	-4.1011E-6
-0.031391 575.19E-9						
1 Displacement Grid 1	10.25000	7.50000	-3.50000	0.02721	-3.7250	-4.8030E-6
-0.034426 630.78E-9						
1 Displacement Grid 1	11.25000	7.50000	-3.50000	0.02790	-3.7250	-5.6126E-6
-0.037699 690.74E-9						
1 Displacement Grid 1	12.25000	7.50000	-3.50000	0.02843	-3.7250	-6.5364E-6
-0.041197 754.79E-9						
1 Displacement Grid 1	13.25000	7.50000	-3.50000	0.02877	-3.7250	-7.5759E-6

-0.044888	822.39E-9						
1 Displacement Grid 1	14.25000	7.50000	-3.50000	0.02893	-3.7250	-8.7247E-6	
-0.048724	892.64E-9						
1 Displacement Grid 1	15.25000	7.50000	-3.50000	0.02890	-3.7250	-9.9658E-6	
-0.052636	964.25E-9						
1 Displacement Grid 1	16.25000	7.50000	-3.50000	0.02870	-3.7250	-11.269E-6	
-0.056529	1.0355E-6						
1 Displacement Grid 1	17.25000	7.50000	-3.50000	0.02836	-3.7250	-12.589E-6	
-0.060289	1.1044E-6						
1 Displacement Grid 1	18.25000	7.50000	-3.50000	0.02792	-3.7250	-13.867E-6	
-0.063780	1.1683E-6						
1 Displacement Grid 1	19.25000	7.50000	-3.50000	0.02746	-3.7250	-15.032E-6	
-0.066859	1.2246E-6						
1 Displacement Grid 1	20.25000	7.50000	-3.50000	0.02703	-3.7250	-16.009E-6	
-0.069381	1.2708E-6						
1 Displacement Grid 1	21.25000	7.50000	-3.50000	0.02670	-3.7250	-16.727E-6	
-0.071217	1.3044E-6						
1 Displacement Grid 1	22.25000	7.50000	-3.50000	0.02653	-3.7250	-17.133E-6	
-0.072269	1.3237E-6						
1 Displacement Grid 1	23.25000	7.50000	-3.50000	0.02653	-3.7250	-17.194E-6	
-0.072479	1.3275E-6						
1 Displacement Grid 1	24.25000	7.50000	-3.50000	0.02671	-3.7250	-16.907E-6	
-0.071839	1.3158E-6						
1 Displacement Grid 1	25.25000	7.50000	-3.50000	0.02705	-3.7250	-16.298E-6	
-0.070389	1.2893E-6						
1 Displacement Grid 1	26.25000	7.50000	-3.50000	0.02750	-3.7250	-15.418E-6	
-0.068213	1.2494E-6						
1 Displacement Grid 1	27.25000	7.50000	-3.50000	0.02800	-3.7250	-14.332E-6	
-0.065430	1.1985E-6						
1 Displacement Grid 1	28.25000	7.50000	-3.50000	0.02849	-3.7250	-13.111E-6	
-0.062174	1.1389E-6						
1 Displacement Grid 1	29.25000	7.50000	-3.50000	0.02889	-3.7250	-11.826E-6	
-0.058588	1.0732E-6						
1 Displacement Grid 1	30.25000	7.50000	-3.50000	0.02918	-3.7250	-10.536E-6	
-0.054805	1.0040E-6						
1 Displacement Grid 1	31.25000	7.50000	-3.50000	0.02929	-3.7250	-9.2898E-6	
-0.050947	933.35E-9						
1 Displacement Grid 1	32.25000	7.50000	-3.50000	0.02922	-3.7250	-8.1201E-6	
-0.047114	863.15E-9						
1 Displacement Grid 1	33.25000	7.50000	-3.50000	0.02896	-3.7250	-7.0482E-6	
-0.043383	794.83E-9						
1 Displacement Grid 1	34.25000	7.50000	-3.50000	0.02851	-3.7250	-6.0846E-6	
-0.039813	729.46E-9						
1 Displacement Grid 1	35.25000	7.50000	-3.50000	0.02789	-3.7250	-5.2312E-6	
-0.036443	667.73E-9						
1 Displacement Grid 1	36.25000	7.50000	-3.50000	0.02713	-3.7250	-4.4845E-6	
-0.033295	610.08E-9						
1 Displacement Grid 1	37.25000	7.50000	-3.50000	0.02625	-3.7250	-3.8372E-6	
-0.030381	556.70E-9						
1 Displacement Grid 1	38.25000	7.50000	-3.50000	0.02528	-3.7250	-3.2800E-6	
-0.027701	507.62E-9						
1 Displacement Grid 1	39.25000	7.50000	-3.50000	0.02424	-3.7250	-2.8029E-6	
-0.025250	462.72E-9						
1 Displacement Grid 1	40.25000	7.50000	-3.50000	0.02316	-3.7250	-2.3961E-6	
-0.023018	421.82E-9						
1 Displacement Grid 1	41.25000	7.50000	-3.50000	0.02206	-3.7250	-2.0500E-6	
-0.020991	384.68E-9						
1 Displacement Grid 1	42.25000	7.50000	-3.50000	0.02095	-3.7250	-1.7561E-6	
-0.019154	351.03E-9						
1 Displacement Grid 1	43.25000	7.50000	-3.50000	0.01986	-3.7250	-1.5067E-6	
-0.017493	320.59E-9						
1 Displacement Grid 1	44.25000	7.50000	-3.50000	0.01879	-3.7250	-1.2950E-6	
-0.015991	293.08E-9						
1 Displacement Grid 1	45.25000	7.50000	-3.50000	0.01775	-3.7250	-1.1154E-6	
-0.014635	268.23E-9						
1 Displacement Grid 1	46.25000	7.50000	-3.50000	0.01675	-3.7250	-962.77E-9	
-0.013410	245.79E-9						
1 Displacement Grid 1	0.25000	8.50000	-3.50000	0.01771	-3.7250	-1.1194E-6	
-0.014626	268.06E-9						
1 Displacement Grid 1	1.25000	8.50000	-3.50000	0.01878	-3.7250	-1.3078E-6	
-0.016037	293.91E-9						

1 Displacement Grid 1	2.25000	8.50000	-3.50000	0.01989	-3.7250	-1.5324E-6
-0.017611 322.75E-9						
1 Displacement Grid 1	3.25000	8.50000	-3.50000	0.02102	-3.7250	-1.8003E-6
-0.019368 354.95E-9						
1 Displacement Grid 1	4.25000	8.50000	-3.50000	0.02217	-3.7250	-2.1206E-6
-0.021330 390.90E-9						
1 Displacement Grid 1	5.25000	8.50000	-3.50000	0.02332	-3.7250	-2.5036E-6
-0.023520 431.02E-9						
1 Displacement Grid 1	6.25000	8.50000	-3.50000	0.02444	-3.7250	-2.9618E-6
-0.025961 475.74E-9						
1 Displacement Grid 1	7.25000	8.50000	-3.50000	0.02551	-3.7250	-3.5096E-6
-0.028678 525.51E-9						
1 Displacement Grid 1	8.25000	8.50000	-3.50000	0.02651	-3.7250	-4.1634E-6
-0.031694 580.76E-9						
1 Displacement Grid 1	9.25000	8.50000	-3.50000	0.02738	-3.7250	-4.9412E-6
-0.035030 641.84E-9						
1 Displacement Grid 1	10.25000	8.50000	-3.50000	0.02810	-3.7250	-5.8619E-6
-0.038699 709.04E-9						
1 Displacement Grid 1	11.25000	8.50000	-3.50000	0.02863	-3.7250	-6.9443E-6
-0.042708 782.46E-9						
1 Displacement Grid 1	12.25000	8.50000	-3.50000	0.02893	-3.7250	-8.2041E-6
-0.047049 861.96E-9						
1 Displacement Grid 1	13.25000	8.50000	-3.50000	0.02896	-3.7250	-9.6514E-6
-0.051695 947.02E-9						
1 Displacement Grid 1	14.25000	8.50000	-3.50000	0.02873	-3.7250	-11.285E-6
-0.056593 1.0367E-6						
1 Displacement Grid 1	15.25000	8.50000	-3.50000	0.02822	-3.7250	-13.089E-6
-0.061659 1.1294E-6						
1 Displacement Grid 1	16.25000	8.50000	-3.50000	0.02746	-3.7250	-15.022E-6
-0.066773 1.2231E-6						
1 Displacement Grid 1	17.25000	8.50000	-3.50000	0.02651	-3.7250	-17.020E-6
-0.071778 1.3147E-6						
1 Displacement Grid 1	18.25000	8.50000	-3.50000	0.02546	-3.7250	-18.989E-6
-0.076483 1.4008E-6						
1 Displacement Grid 1	19.25000	8.50000	-3.50000	0.02441	-3.7250	-20.810E-6
-0.080676 1.4775E-6						
1 Displacement Grid 1	20.25000	8.50000	-3.50000	0.02347	-3.7250	-22.356E-6
-0.084138 1.5409E-6						
1 Displacement Grid 1	21.25000	8.50000	-3.50000	0.02276	-3.7250	-23.501E-6
-0.086671 1.5872E-6						
1 Displacement Grid 1	22.25000	8.50000	-3.50000	0.02237	-3.7250	-24.146E-6
-0.088122 1.6138E-6						
1 Displacement Grid 1	23.25000	8.50000	-3.50000	0.02234	-3.7250	-24.234E-6
-0.088400 1.6189E-6						
1 Displacement Grid 1	24.25000	8.50000	-3.50000	0.02268	-3.7250	-23.761E-6
-0.087493 1.6023E-6						
1 Displacement Grid 1	25.25000	8.50000	-3.50000	0.02336	-3.7250	-22.776E-6
-0.085467 1.5652E-6						
1 Displacement Grid 1	26.25000	8.50000	-3.50000	0.02428	-3.7250	-21.370E-6
-0.082456 1.5101E-6						
1 Displacement Grid 1	27.25000	8.50000	-3.50000	0.02535	-3.7250	-19.660E-6
-0.078642 1.4403E-6						
1 Displacement Grid 1	28.25000	8.50000	-3.50000	0.02644	-3.7250	-17.771E-6
-0.074231 1.3596E-6						
1 Displacement Grid 1	29.25000	8.50000	-3.50000	0.02746	-3.7250	-15.818E-6
-0.069432 1.2717E-6						
1 Displacement Grid 1	30.25000	8.50000	-3.50000	0.02831	-3.7250	-13.896E-6
-0.064437 1.1803E-6						
1 Displacement Grid 1	31.25000	8.50000	-3.50000	0.02892	-3.7250	-12.076E-6
-0.059413 1.0883E-6						
1 Displacement Grid 1	32.25000	8.50000	-3.50000	0.02928	-3.7250	-10.403E-6
-0.054490 998.21E-9						
1 Displacement Grid 1	33.25000	8.50000	-3.50000	0.02936	-3.7250	-8.9014E-6
-0.049766 911.72E-9						
1 Displacement Grid 1	34.25000	8.50000	-3.50000	0.02917	-3.7250	-7.5778E-6
-0.045307 830.06E-9						
1 Displacement Grid 1	35.25000	8.50000	-3.50000	0.02874	-3.7250	-6.4281E-6
-0.041152 753.99E-9						
1 Displacement Grid 1	36.25000	8.50000	-3.50000	0.02810	-3.7250	-5.4405E-6
-0.037322 683.83E-9						
1 Displacement Grid 1	37.25000	8.50000	-3.50000	0.02729	-3.7250	-4.5992E-6

-0.033818	619.65E-9						
1 Displacement Grid 1	38.25000	8.50000	-3.50000	0.02635	-3.7250	-3.8869E-6	
-0.030632	561.30E-9						
1 Displacement Grid 1	39.25000	8.50000	-3.50000	0.02531	-3.7250	-3.2865E-6	
-0.027749	508.49E-9						
1 Displacement Grid 1	40.25000	8.50000	-3.50000	0.02420	-3.7250	-2.7817E-6	
-0.025149	460.87E-9						
1 Displacement Grid 1	41.25000	8.50000	-3.50000	0.02306	-3.7250	-2.3580E-6	
-0.022811	418.03E-9						
1 Displacement Grid 1	42.25000	8.50000	-3.50000	0.02190	-3.7250	-2.0027E-6	
-0.020711	379.55E-9						
1 Displacement Grid 1	43.25000	8.50000	-3.50000	0.02075	-3.7250	-1.7047E-6	
-0.018826	345.02E-9						
1 Displacement Grid 1	44.25000	8.50000	-3.50000	0.01962	-3.7250	-1.4545E-6	
-0.017136	314.04E-9						
1 Displacement Grid 1	45.25000	8.50000	-3.50000	0.01851	-3.7250	-1.2442E-6	
-0.015619	286.26E-9						
1 Displacement Grid 1	46.25000	8.50000	-3.50000	0.01745	-3.7250	-1.0671E-6	
-0.014259	261.33E-9						
1 Displacement Grid 1	0.25000	9.50000	-3.50000	0.01842	-3.7250	-1.2393E-6	
-0.015541	284.82E-9						
1 Displacement Grid 1	1.25000	9.50000	-3.50000	0.01955	-3.7250	-1.4576E-6	
-0.017106	313.51E-9						
1 Displacement Grid 1	2.25000	9.50000	-3.50000	0.02072	-3.7250	-1.7203E-6	
-0.018866	345.74E-9						
1 Displacement Grid 1	3.25000	9.50000	-3.50000	0.02191	-3.7250	-2.0371E-6	
-0.020844	381.99E-9						
1 Displacement Grid 1	4.25000	9.50000	-3.50000	0.02311	-3.7250	-2.4202E-6	
-0.023071	422.79E-9						
1 Displacement Grid 1	5.25000	9.50000	-3.50000	0.02429	-3.7250	-2.8842E-6	
-0.025578	468.72E-9						
1 Displacement Grid 1	6.25000	9.50000	-3.50000	0.02543	-3.7250	-3.4471E-6	
-0.028400	520.41E-9						
1 Displacement Grid 1	7.25000	9.50000	-3.50000	0.02650	-3.7250	-4.1302E-6	
-0.031574	578.54E-9						
1 Displacement Grid 1	8.25000	9.50000	-3.50000	0.02744	-3.7250	-4.9590E-6	
-0.035136	643.79E-9						
1 Displacement Grid 1	9.25000	9.50000	-3.50000	0.02821	-3.7250	-5.9628E-6	
-0.039124	716.83E-9						
1 Displacement Grid 1	10.25000	9.50000	-3.50000	0.02875	-3.7250	-7.1744E-6	
-0.043569	798.23E-9						
1 Displacement Grid 1	11.25000	9.50000	-3.50000	0.02902	-3.7250	-8.6287E-6	
-0.048494	888.42E-9						
1 Displacement Grid 1	12.25000	9.50000	-3.50000	0.02894	-3.7250	-10.360E-6	
-0.053908	987.55E-9						
1 Displacement Grid 1	13.25000	9.50000	-3.50000	0.02848	-3.7250	-12.396E-6	
-0.059794	1.0953E-6						
1 Displacement Grid 1	14.25000	9.50000	-3.50000	0.02762	-3.7250	-14.751E-6	
-0.066101	1.2108E-6						
1 Displacement Grid 1	15.25000	9.50000	-3.50000	0.02634	-3.7250	-17.416E-6	
-0.072734	1.3322E-6						
1 Displacement Grid 1	16.25000	9.50000	-3.50000	0.02470	-3.7250	-20.345E-6	
-0.079542	1.4568E-6						
1 Displacement Grid 1	17.25000	9.50000	-3.50000	0.02277	-3.7250	-23.444E-6	
-0.086312	1.5806E-6						
1 Displacement Grid 1	18.25000	9.50000	-3.50000	0.02071	-3.7250	-26.564E-6	
-0.092769	1.6988E-6						
1 Displacement Grid 1	19.25000	9.50000	-3.50000	0.01869	-3.7250	-29.505E-6	
-0.098596	1.8054E-6						
1 Displacement Grid 1	20.25000	9.50000	-3.50000	0.01691	-3.7250	-32.035E-6	
-0.10346	1.8943E-6						
1 Displacement Grid 1	21.25000	9.50000	-3.50000	0.01556	-3.7250	-33.925E-6	
-0.10703	1.9598E-6						
1 Displacement Grid 1	22.25000	9.50000	-3.50000	0.01481	-3.7250	-34.987E-6	
-0.10908	1.9972E-6						
1 Displacement Grid 1	23.25000	9.50000	-3.50000	0.01474	-3.7250	-35.115E-6	
-0.10945	2.0040E-6						
1 Displacement Grid 1	24.25000	9.50000	-3.50000	0.01536	-3.7250	-34.303E-6	
-0.10813	1.9799E-6						
1 Displacement Grid 1	25.25000	9.50000	-3.50000	0.01659	-3.7250	-32.648E-6	
-0.10523	1.9268E-6						

1 Displacement Grid 1	26.25000	9.50000	-3.50000	0.01829	-3.7250	-30.324E-6
-0.10097 1.8488E-6						
1 Displacement Grid 1	27.25000	9.50000	-3.50000	0.02029	-3.7250	-27.548E-6
-0.095631 1.7512E-6						
1 Displacement Grid 1	28.25000	9.50000	-3.50000	0.02237	-3.7250	-24.542E-6
-0.089543 1.6398E-6						
1 Displacement Grid 1	29.25000	9.50000	-3.50000	0.02436	-3.7250	-21.501E-6
-0.083018 1.5204E-6						
1 Displacement Grid 1	30.25000	9.50000	-3.50000	0.02612	-3.7250	-18.578E-6
-0.076332 1.3981E-6						
1 Displacement Grid 1	31.25000	9.50000	-3.50000	0.02754	-3.7250	-15.875E-6
-0.069714 1.2769E-6						
1 Displacement Grid 1	32.25000	9.50000	-3.50000	0.02857	-3.7250	-13.448E-6
-0.063334 1.1601E-6						
1 Displacement Grid 1	33.25000	9.50000	-3.50000	0.02919	-3.7250	-11.320E-6
-0.057308 1.0498E-6						
1 Displacement Grid 1	34.25000	9.50000	-3.50000	0.02942	-3.7250	-9.4867E-6
-0.051707 947.27E-9						
1 Displacement Grid 1	35.25000	9.50000	-3.50000	0.02930	-3.7250	-7.9282E-6
-0.046566 853.13E-9						
1 Displacement Grid 1	36.25000	9.50000	-3.50000	0.02888	-3.7250	-6.6165E-6
-0.041891 767.51E-9						
1 Displacement Grid 1	37.25000	9.50000	-3.50000	0.02820	-3.7250	-5.5203E-6
-0.037670 690.22E-9						
1 Displacement Grid 1	38.25000	9.50000	-3.50000	0.02733	-3.7250	-4.6086E-6
-0.033880 620.80E-9						
1 Displacement Grid 1	39.25000	9.50000	-3.50000	0.02632	-3.7250	-3.8526E-6
-0.030490 558.69E-9						
1 Displacement Grid 1	40.25000	9.50000	-3.50000	0.02521	-3.7250	-3.2268E-6
-0.027465 503.28E-9						
1 Displacement Grid 1	41.25000	9.50000	-3.50000	0.02404	-3.7250	-2.7090E-6
-0.024770 453.91E-9						
1 Displacement Grid 1	42.25000	9.50000	-3.50000	0.02284	-3.7250	-2.2803E-6
-0.022372 409.98E-9						
1 Displacement Grid 1	43.25000	9.50000	-3.50000	0.02163	-3.7250	-1.9250E-6
-0.020238 370.88E-9						
1 Displacement Grid 1	44.25000	9.50000	-3.50000	0.02044	-3.7250	-1.6301E-6
-0.018338 336.08E-9						
1 Displacement Grid 1	45.25000	9.50000	-3.50000	0.01927	-3.7250	-1.3847E-6
-0.016647 305.09E-9						
1 Displacement Grid 1	46.25000	9.50000	-3.50000	0.01815	-3.7250	-1.1800E-6
-0.015139 277.46E-9						
1 Displacement Grid 1	0.25000	10.50000	-3.50000	0.01912	-3.7250	-1.3680E-6
-0.016483 302.09E-9						
1 Displacement Grid 1	1.25000	10.50000	-3.50000	0.02031	-3.7250	-1.6198E-6
-0.018216 333.84E-9						
1 Displacement Grid 1	2.25000	10.50000	-3.50000	0.02153	-3.7250	-1.9258E-6
-0.020176 369.75E-9						
1 Displacement Grid 1	3.25000	10.50000	-3.50000	0.02278	-3.7250	-2.2990E-6
-0.022398 410.45E-9						
1 Displacement Grid 1	4.25000	10.50000	-3.50000	0.02402	-3.7250	-2.7555E-6
-0.024919 456.64E-9						
1 Displacement Grid 1	5.25000	10.50000	-3.50000	0.02522	-3.7250	-3.3158E-6
-0.027783 509.10E-9						
1 Displacement Grid 1	6.25000	10.50000	-3.50000	0.02636	-3.7250	-4.0053E-6
-0.031038 568.74E-9						
1 Displacement Grid 1	7.25000	10.50000	-3.50000	0.02738	-3.7250	-4.8555E-6
-0.034740 636.53E-9						
1 Displacement Grid 1	8.25000	10.50000	-3.50000	0.02822	-3.7250	-5.9052E-6
-0.038944 713.54E-9						
1 Displacement Grid 1	9.25000	10.50000	-3.50000	0.02881	-3.7250	-7.2011E-6
-0.043713 800.87E-9						
1 Displacement Grid 1	10.25000	10.50000	-3.50000	0.02908	-3.7250	-8.7986E-6
-0.049104 899.59E-9						
1 Displacement Grid 1	11.25000	10.50000	-3.50000	0.02894	-3.7250	-10.761E-6
-0.055171 1.0107E-6						
1 Displacement Grid 1	12.25000	10.50000	-3.50000	0.02830	-3.7250	-13.155E-6
-0.061951 1.1348E-6						
1 Displacement Grid 1	13.25000	10.50000	-3.50000	0.02709	-3.7250	-16.047E-6
-0.069454 1.2721E-6						
1 Displacement Grid 1	14.25000	10.50000	-3.50000	0.02525	-3.7250	-19.489E-6

-0.077646	1.4221E-6						
1 Displacement	Grid 1	15.25000	10.50000	-3.50000	0.02279	-3.7250	-23.499E-6
-0.086430	1.5828E-6						
1 Displacement	Grid 1	16.25000	10.50000	-3.50000	0.01975	-3.7250	-28.038E-6
-0.095623	1.7510E-6						
1 Displacement	Grid 1	17.25000	10.50000	-3.50000	0.01628	-3.7250	-32.980E-6
-0.10494	1.9215E-6						
1 Displacement	Grid 1	18.25000	10.50000	-3.50000	0.01260	-3.7250	-38.087E-6
-0.11398	2.0869E-6						
1 Displacement	Grid 1	19.25000	10.50000	-3.50000	0.00899	-3.7250	-43.011E-6
-0.12227	2.2385E-6						
1 Displacement	Grid 1	20.25000	10.50000	-3.50000	0.00582	-3.7250	-47.321E-6
-0.12927	2.3665E-6						
1 Displacement	Grid 1	21.25000	10.50000	-3.50000	0.00342	-3.7250	-50.572E-6
-0.13446	2.4614E-6						
1 Displacement	Grid 1	22.25000	10.50000	-3.50000	0.00207	-3.7250	-52.396E-6
-0.13743	2.5157E-6						
1 Displacement	Grid 1	23.25000	10.50000	-3.50000	0.00192	-3.7250	-52.581E-6
-0.13793	2.5249E-6						
1 Displacement	Grid 1	24.25000	10.50000	-3.50000	0.00299	-3.7250	-51.121E-6
-0.13595	2.4887E-6						
1 Displacement	Grid 1	25.25000	10.50000	-3.50000	0.00515	-3.7250	-48.217E-6
-0.13168	2.4105E-6						
1 Displacement	Grid 1	26.25000	10.50000	-3.50000	0.00814	-3.7250	-44.219E-6
-0.12548	2.2971E-6						
1 Displacement	Grid 1	27.25000	10.50000	-3.50000	0.01165	-3.7250	-39.547E-6
-0.11783	2.1574E-6						
1 Displacement	Grid 1	28.25000	10.50000	-3.50000	0.01532	-3.7250	-34.610E-6
-0.10926	2.0005E-6						
1 Displacement	Grid 1	29.25000	10.50000	-3.50000	0.01887	-3.7250	-29.748E-6
-0.10023	1.8353E-6						
1 Displacement	Grid 1	30.25000	10.50000	-3.50000	0.02205	-3.7250	-25.200E-6
-0.091144	1.6691E-6						
1 Displacement	Grid 1	31.25000	10.50000	-3.50000	0.02472	-3.7250	-21.111E-6
-0.082323	1.5077E-6						
1 Displacement	Grid 1	32.25000	10.50000	-3.50000	0.02679	-3.7250	-17.541E-6
-0.073977	1.3549E-6						
1 Displacement	Grid 1	33.25000	10.50000	-3.50000	0.02824	-3.7250	-14.492E-6
-0.066236	1.2133E-6						
1 Displacement	Grid 1	34.25000	10.50000	-3.50000	0.02911	-3.7250	-11.933E-6
-0.059165	1.0838E-6						
1 Displacement	Grid 1	35.25000	10.50000	-3.50000	0.02946	-3.7250	-9.8087E-6
-0.052780	966.91E-9						
1 Displacement	Grid 1	36.25000	10.50000	-3.50000	0.02937	-3.7250	-8.0607E-6
-0.047063	862.22E-9						
1 Displacement	Grid 1	37.25000	10.50000	-3.50000	0.02892	-3.7250	-6.6301E-6
-0.041975	769.05E-9						
1 Displacement	Grid 1	38.25000	10.50000	-3.50000	0.02819	-3.7250	-5.4629E-6
-0.037466	686.47E-9						
1 Displacement	Grid 1	39.25000	10.50000	-3.50000	0.02725	-3.7250	-4.5121E-6
-0.033481	613.48E-9						
1 Displacement	Grid 1	40.25000	10.50000	-3.50000	0.02616	-3.7250	-3.7377E-6
-0.029965	549.09E-9						
1 Displacement	Grid 1	41.25000	10.50000	-3.50000	0.02498	-3.7250	-3.1062E-6
-0.026866	492.31E-9						
1 Displacement	Grid 1	42.25000	10.50000	-3.50000	0.02374	-3.7250	-2.5906E-6
-0.024133	442.24E-9						
1 Displacement	Grid 1	43.25000	10.50000	-3.50000	0.02249	-3.7250	-2.1685E-6
-0.021722	398.08E-9						
1 Displacement	Grid 1	44.25000	10.50000	-3.50000	0.02124	-3.7250	-1.8220E-6
-0.019594	359.09E-9						
1 Displacement	Grid 1	45.25000	10.50000	-3.50000	0.02002	-3.7250	-1.5367E-6
-0.017712	324.61E-9						
1 Displacement	Grid 1	46.25000	10.50000	-3.50000	0.01884	-3.7250	-1.3011E-6
-0.016046	294.08E-9						
1 Displacement	Grid 1	0.25000	11.50000	-3.50000	0.01980	-3.7250	-1.5047E-6
-0.017447	319.74E-9						
1 Displacement	Grid 1	1.25000	11.50000	-3.50000	0.02105	-3.7250	-1.7937E-6
-0.019357	354.75E-9						
1 Displacement	Grid 1	2.25000	11.50000	-3.50000	0.02232	-3.7250	-2.1484E-6
-0.021534	394.63E-9						



1 Displacement Grid 1	3.25000	11.50000	-3.50000	0.02361	-3.7250	-2.5857E-6
-0.024019 440.16E-9						
1 Displacement Grid 1	4.25000	11.50000	-3.50000	0.02488	-3.7250	-3.1272E-6
-0.026864 492.27E-9						
1 Displacement Grid 1	5.25000	11.50000	-3.50000	0.02609	-3.7250	-3.8008E-6
-0.030125 552.02E-9						
1 Displacement Grid 1	6.25000	11.50000	-3.50000	0.02719	-3.7250	-4.6420E-6
-0.033871 620.63E-9						
1 Displacement Grid 1	7.25000	11.50000	-3.50000	0.02813	-3.7250	-5.6967E-6
-0.038178 699.51E-9						
1 Displacement Grid 1	8.25000	11.50000	-3.50000	0.02881	-3.7250	-7.0228E-6
-0.043133 790.25E-9						
1 Displacement Grid 1	9.25000	11.50000	-3.50000	0.02914	-3.7250	-8.6937E-6
-0.048829 894.56E-9						
1 Displacement Grid 1	10.25000	11.50000	-3.50000	0.02900	-3.7250	-10.801E-6
-0.055369 1.0143E-6						
1 Displacement Grid 1	11.25000	11.50000	-3.50000	0.02826	-3.7250	-13.454E-6
-0.062853 1.1513E-6						
1 Displacement Grid 1	12.25000	11.50000	-3.50000	0.02680	-3.7250	-16.783E-6
-0.071372 1.3072E-6						
1 Displacement Grid 1	13.25000	11.50000	-3.50000	0.02447	-3.7250	-20.929E-6
-0.080989 1.4833E-6						
1 Displacement Grid 1	14.25000	11.50000	-3.50000	0.02120	-3.7250	-26.026E-6
-0.091718 1.6796E-6						
1 Displacement Grid 1	15.25000	11.50000	-3.50000	0.01693	-3.7250	-32.174E-6
-0.10349 1.8948E-6						
1 Displacement Grid 1	16.25000	11.50000	-3.50000	0.01175	-3.7250	-39.384E-6
-0.11609 2.1254E-6						
1 Displacement Grid 1	17.25000	11.50000	-3.50000	0.00583	-3.7250	-47.512E-6
-0.12916 2.3644E-6						
1 Displacement Grid 1	18.25000	11.50000	-3.50000	-0.00045	-3.7250	-56.190E-6
-0.14213 2.6015E-6						
1 Displacement Grid 1	19.25000	11.50000	-3.50000	-0.00662	-3.7250	-64.796E-6
-0.15424 2.8230E-6						
1 Displacement Grid 1	20.25000	11.50000	-3.50000	-0.01208	-3.7250	-72.492E-6
-0.16462 3.0127E-6						
1 Displacement Grid 1	21.25000	11.50000	-3.50000	-0.01623	-3.7250	-78.372E-6
-0.17239 3.1547E-6						
1 Displacement Grid 1	22.25000	11.50000	-3.50000	-0.01859	-3.7250	-81.660E-6
-0.17683 3.2359E-6						
1 Displacement Grid 1	23.25000	11.50000	-3.50000	-0.01886	-3.7250	-81.915E-6
-0.17752 3.2485E-6						
1 Displacement Grid 1	24.25000	11.50000	-3.50000	-0.01702	-3.7250	-79.141E-6
-0.17443 3.1921E-6						
1 Displacement Grid 1	25.25000	11.50000	-3.50000	-0.01332	-3.7250	-73.779E-6
-0.16792 3.0730E-6						
1 Displacement Grid 1	26.25000	11.50000	-3.50000	-0.00821	-3.7250	-66.573E-6
-0.15863 2.9032E-6						
1 Displacement Grid 1	27.25000	11.50000	-3.50000	-0.00225	-3.7250	-58.377E-6
-0.14738 2.6976E-6						
1 Displacement Grid 1	28.25000	11.50000	-3.50000	0.00397	-3.7250	-49.975E-6
-0.13501 2.4715E-6						
1 Displacement Grid 1	29.25000	11.50000	-3.50000	0.00997	-3.7250	-41.962E-6
-0.12227 2.2385E-6						
1 Displacement Grid 1	30.25000	11.50000	-3.50000	0.01537	-3.7250	-34.715E-6
-0.10974 2.0094E-6						
1 Displacement Grid 1	31.25000	11.50000	-3.50000	0.01993	-3.7250	-28.410E-6
-0.097840 1.7916E-6						
1 Displacement Grid 1	32.25000	11.50000	-3.50000	0.02356	-3.7250	-23.081E-6
-0.086820 1.5900E-6						
1 Displacement Grid 1	33.25000	11.50000	-3.50000	0.02625	-3.7250	-18.669E-6
-0.076810 1.4068E-6						
1 Displacement Grid 1	34.25000	11.50000	-3.50000	0.02806	-3.7250	-15.070E-6
-0.067844 1.2427E-6						
1 Displacement Grid 1	35.25000	11.50000	-3.50000	0.02911	-3.7250	-12.163E-6
-0.059893 1.0971E-6						
1 Displacement Grid 1	36.25000	11.50000	-3.50000	0.02951	-3.7250	-9.8285E-6
-0.052893 968.98E-9						
1 Displacement Grid 1	37.25000	11.50000	-3.50000	0.02939	-3.7250	-7.9608E-6
-0.046759 856.66E-9						
1 Displacement Grid 1	38.25000	11.50000	-3.50000	0.02887	-3.7250	-6.4682E-6

-0.041400	758.52E-9						
1 Displacement Grid 1		39.25000	11.50000	-3.50000	0.02805	-3.7250	-5.2749E-6
-0.036724	672.89E-9						
1 Displacement Grid 1		40.25000	11.50000	-3.50000	0.02703	-3.7250	-4.3193E-6
-0.032647	598.21E-9						
1 Displacement Grid 1		41.25000	11.50000	-3.50000	0.02586	-3.7250	-3.5521E-6
-0.029091	533.08E-9						
1 Displacement Grid 1		42.25000	11.50000	-3.50000	0.02461	-3.7250	-2.9343E-6
-0.025986	476.20E-9						
1 Displacement Grid 1		43.25000	11.50000	-3.50000	0.02332	-3.7250	-2.4350E-6
-0.023272	426.47E-9						
1 Displacement Grid 1		44.25000	11.50000	-3.50000	0.02203	-3.7250	-2.0299E-6
-0.020894	382.92E-9						
1 Displacement Grid 1		45.25000	11.50000	-3.50000	0.02075	-3.7250	-1.6998E-6
-0.018808	344.69E-9						
1 Displacement Grid 1		46.25000	11.50000	-3.50000	0.01951	-3.7250	-1.4297E-6
-0.016973	311.06E-9						
1 Displacement Grid 1		0.25000	12.50000	-3.50000	0.02046	-3.7250	-1.6482E-6
-0.018421	337.60E-9						
1 Displacement Grid 1		1.25000	12.50000	-3.50000	0.02175	-3.7250	-1.9780E-6
-0.020520	376.05E-9						
1 Displacement Grid 1		2.25000	12.50000	-3.50000	0.02308	-3.7250	-2.3867E-6
-0.022926	420.14E-9						
1 Displacement Grid 1		3.25000	12.50000	-3.50000	0.02440	-3.7250	-2.8961E-6
-0.025696	470.88E-9						
1 Displacement Grid 1		4.25000	12.50000	-3.50000	0.02568	-3.7250	-3.5347E-6
-0.028892	529.43E-9						
1 Displacement Grid 1		5.25000	12.50000	-3.50000	0.02687	-3.7250	-4.3397E-6
-0.032592	597.20E-9						
1 Displacement Grid 1		6.25000	12.50000	-3.50000	0.02792	-3.7250	-5.3606E-6
-0.036886	675.84E-9						
1 Displacement Grid 1		7.25000	12.50000	-3.50000	0.02872	-3.7250	-6.6623E-6
-0.041880	767.31E-9						
1 Displacement Grid 1		8.25000	12.50000	-3.50000	0.02916	-3.7250	-8.3305E-6
-0.047701	873.90E-9						
1 Displacement Grid 1		9.25000	12.50000	-3.50000	0.02912	-3.7250	-10.478E-6
-0.054491	998.24E-9						
1 Displacement Grid 1		10.25000	12.50000	-3.50000	0.02841	-3.7250	-13.253E-6
-0.062415	1.1433E-6						
1 Displacement Grid 1		11.25000	12.50000	-3.50000	0.02685	-3.7250	-16.843E-6
-0.071648	1.3123E-6						
1 Displacement Grid 1		12.25000	12.50000	-3.50000	0.02421	-3.7250	-21.488E-6
-0.082373	1.5086E-6						
1 Displacement Grid 1		13.25000	12.50000	-3.50000	0.02029	-3.7250	-27.474E-6
-0.094756	1.7352E-6						
1 Displacement Grid 1		14.25000	12.50000	-3.50000	0.01491	-3.7250	-35.118E-6
-0.10891	1.9941E-6						
1 Displacement Grid 1		15.25000	12.50000	-3.50000	0.00796	-3.7250	-44.723E-6
-0.12486	2.2857E-6						
1 Displacement Grid 1		16.25000	12.50000	-3.50000	-0.00050	-3.7250	-56.483E-6
-0.14241	2.6068E-6						
1 Displacement Grid 1		17.25000	12.50000	-3.50000	-0.01022	-3.7250	-70.330E-6
-0.16114	2.9491E-6						
1 Displacement Grid 1		18.25000	12.50000	-3.50000	-0.02065	-3.7250	-85.734E-6
-0.18024	3.2980E-6						
1 Displacement Grid 1		19.25000	12.50000	-3.50000	-0.03099	-3.7250	-101.56E-6
-0.19851	3.6318E-6						
1 Displacement Grid 1		20.25000	12.50000	-3.50000	-0.04023	-3.7250	-116.11E-6
-0.21446	3.9232E-6						
1 Displacement Grid 1		21.25000	12.50000	-3.50000	-0.04731	-3.7250	-127.40E-6
-0.22655	4.1439E-6						
1 Displacement Grid 1		22.25000	12.50000	-3.50000	-0.05134	-3.7250	-133.69E-6
-0.23344	4.2699E-6						
1 Displacement Grid 1		23.25000	12.50000	-3.50000	-0.05180	-3.7250	-134.00E-6
-0.23439	4.2873E-6						
1 Displacement Grid 1		24.25000	12.50000	-3.50000	-0.04866	-3.7250	-128.36E-6
-0.22936	4.1954E-6						
1 Displacement Grid 1		25.25000	12.50000	-3.50000	-0.04237	-3.7250	-117.84E-6
-0.21902	4.0067E-6						
1 Displacement Grid 1		26.25000	12.50000	-3.50000	-0.03375	-3.7250	-104.11E-6
-0.20459	3.7431E-6						

1 Displacement Grid 1	27.25000	12.50000	-3.50000	-0.02381	-3.7250	-89.016E-6
-0.18752 3.4313E-6						
1 Displacement Grid 1	28.25000	12.50000	-3.50000	-0.01352	-3.7250	-74.116E-6
-0.16922 3.0969E-6						
1 Displacement Grid 1	29.25000	12.50000	-3.50000	-0.00369	-3.7250	-60.464E-6
-0.15086 2.7613E-6						
1 Displacement Grid 1	30.25000	12.50000	-3.50000	0.00510	-3.7250	-48.607E-6
-0.13328 2.4399E-6						
1 Displacement Grid 1	31.25000	12.50000	-3.50000	0.01252	-3.7250	-38.694E-6
-0.11702 2.1426E-6						
1 Displacement Grid 1	32.25000	12.50000	-3.50000	0.01845	-3.7250	-30.626E-6
-0.10234 1.8740E-6						
1 Displacement Grid 1	33.25000	12.50000	-3.50000	0.02293	-3.7250	-24.180E-6
-0.089323 1.6358E-6						
1 Displacement Grid 1	34.25000	12.50000	-3.50000	0.02609	-3.7250	-19.090E-6
-0.077914 1.4270E-6						
1 Displacement Grid 1	35.25000	12.50000	-3.50000	0.02811	-3.7250	-15.099E-6
-0.067999 1.2455E-6						
1 Displacement Grid 1	36.25000	12.50000	-3.50000	0.02921	-3.7250	-11.980E-6
-0.059428 1.0886E-6						
1 Displacement Grid 1	37.25000	12.50000	-3.50000	0.02956	-3.7250	-9.5452E-6
-0.052041 953.38E-9						
1 Displacement Grid 1	38.25000	12.50000	-3.50000	0.02935	-3.7250	-7.6414E-6
-0.045683 836.97E-9						
1 Displacement Grid 1	39.25000	12.50000	-3.50000	0.02872	-3.7250	-6.1492E-6
-0.040212 736.77E-9						
1 Displacement Grid 1	40.25000	12.50000	-3.50000	0.02780	-3.7250	-4.9752E-6
-0.035499 650.45E-9						
1 Displacement Grid 1	41.25000	12.50000	-3.50000	0.02667	-3.7250	-4.0476E-6
-0.031434 575.99E-9						
1 Displacement Grid 1	42.25000	12.50000	-3.50000	0.02542	-3.7250	-3.3113E-6
-0.027919 511.61E-9						
1 Displacement Grid 1	43.25000	12.50000	-3.50000	0.02411	-3.7250	-2.7238E-6
-0.024874 455.83E-9						
1 Displacement Grid 1	44.25000	12.50000	-3.50000	0.02278	-3.7250	-2.2526E-6
-0.022229 407.37E-9						
1 Displacement Grid 1	45.25000	12.50000	-3.50000	0.02145	-3.7250	-1.8728E-6
-0.019925 365.15E-9						
1 Displacement Grid 1	46.25000	12.50000	-3.50000	0.02016	-3.7250	-1.5650E-6
-0.017911 328.26E-9						
1 Displacement Grid 1	0.25000	13.50000	-3.50000	0.02109	-3.7250	-1.7970E-6
-0.019397 355.48E-9						
1 Displacement Grid 1	1.25000	13.50000	-3.50000	0.02243	-3.7250	-2.1708E-6
-0.021690 397.49E-9						
1 Displacement Grid 1	2.25000	13.50000	-3.50000	0.02379	-3.7250	-2.6385E-6
-0.024339 446.02E-9						
1 Displacement Grid 1	3.25000	13.50000	-3.50000	0.02513	-3.7250	-3.2277E-6
-0.027410 502.27E-9						
1 Displacement Grid 1	4.25000	13.50000	-3.50000	0.02642	-3.7250	-3.9753E-6
-0.030984 567.74E-9						
1 Displacement Grid 1	5.25000	13.50000	-3.50000	0.02757	-3.7250	-4.9307E-6
-0.035159 644.23E-9						
1 Displacement Grid 1	6.25000	13.50000	-3.50000	0.02851	-3.7250	-6.1607E-6
-0.040057 733.93E-9						
1 Displacement Grid 1	7.25000	13.50000	-3.50000	0.02913	-3.7250	-7.7564E-6
-0.045822 839.50E-9						
1 Displacement Grid 1	8.25000	13.50000	-3.50000	0.02926	-3.7250	-9.8417E-6
-0.052631 964.17E-9						
1 Displacement Grid 1	9.25000	13.50000	-3.50000	0.02871	-3.7250	-12.587E-6
-0.060695 1.1118E-6						
1 Displacement Grid 1	10.25000	13.50000	-3.50000	0.02724	-3.7250	-16.225E-6
-0.070268 1.2870E-6						
1 Displacement Grid 1	11.25000	13.50000	-3.50000	0.02455	-3.7250	-21.073E-6
-0.081641 1.4952E-6						
1 Displacement Grid 1	12.25000	13.50000	-3.50000	0.02032	-3.7250	-27.559E-6
-0.095146 1.7423E-6						
1 Displacement Grid 1	13.25000	13.50000	-3.50000	0.01417	-3.7250	-36.243E-6
-0.11113 2.0348E-6						
1 Displacement Grid 1	14.25000	13.50000	-3.50000	0.00579	-3.7250	-47.827E-6
-0.12993 2.3785E-6						
1 Displacement Grid 1	15.25000	13.50000	-3.50000	-0.00509	-3.7250	-63.111E-6

-0.15176	2.7777E-6						
1 Displacement Grid 1	16.25000	13.50000	-3.50000	-0.01848	-3.7250	-82.843E-6	
-0.17663	3.2322E-6						
1 Displacement Grid 1	17.25000	13.50000	-3.50000	-0.03408	-3.7250	-107.39E-6	
-0.20410	3.7340E-6						
1 Displacement Grid 1	18.25000	13.50000	-3.50000	-0.05112	-3.7250	-136.19E-6	
-0.23309	4.2633E-6						
1 Displacement Grid 1	19.25000	13.50000	-3.50000	-0.06827	-3.7250	-167.19E-6	
-0.26170	4.7854E-6						
1 Displacement Grid 1	20.25000	13.50000	-3.50000	-0.08380	-3.7250	-196.71E-6	
-0.28730	5.2526E-6						
1 Displacement Grid 1	21.25000	13.50000	-3.50000	-0.09581	-3.7250	-220.05E-6	
-0.30698	5.6116E-6						
1 Displacement Grid 1	22.25000	13.50000	-3.50000	-0.10267	-3.7250	-232.99E-6	
-0.31819	5.8163E-6						
1 Displacement Grid 1	23.25000	13.50000	-3.50000	-0.10343	-3.7250	-233.14E-6	
-0.31948	5.8399E-6						
1 Displacement Grid 1	24.25000	13.50000	-3.50000	-0.09804	-3.7250	-220.74E-6	
-0.31082	5.6821E-6						
1 Displacement Grid 1	25.25000	13.50000	-3.50000	-0.08737	-3.7250	-198.47E-6	
-0.29361	5.3682E-6						
1 Displacement Grid 1	26.25000	13.50000	-3.50000	-0.07292	-3.7250	-170.48E-6	
-0.27022	4.9414E-6						
1 Displacement Grid 1	27.25000	13.50000	-3.50000	-0.05646	-3.7250	-141.02E-6	
-0.24335	4.4510E-6						
1 Displacement Grid 1	28.25000	13.50000	-3.50000	-0.03968	-3.7250	-113.31E-6	
-0.21546	3.9417E-6						
1 Displacement Grid 1	29.25000	13.50000	-3.50000	-0.02390	-3.7250	-89.169E-6	
-0.18838	3.4470E-6						
1 Displacement Grid 1	30.25000	13.50000	-3.50000	-0.00997	-3.7250	-69.220E-6	
-0.16330	2.9887E-6						
1 Displacement Grid 1	31.25000	13.50000	-3.50000	0.00167	-3.7250	-53.319E-6	
-0.14081	2.5776E-6						
1 Displacement Grid 1	32.25000	13.50000	-3.50000	0.01092	-3.7250	-40.941E-6	
-0.12110	2.2172E-6						
1 Displacement Grid 1	33.25000	13.50000	-3.50000	0.01794	-3.7250	-31.445E-6	
-0.10409	1.9059E-6						
1 Displacement Grid 1	34.25000	13.50000	-3.50000	0.02297	-3.7250	-24.219E-6	
-0.089537	1.6397E-6						
1 Displacement Grid 1	35.25000	13.50000	-3.50000	0.02635	-3.7250	-18.737E-6	
-0.077171	1.4134E-6						
1 Displacement Grid 1	36.25000	13.50000	-3.50000	0.02839	-3.7250	-14.577E-6	
-0.066692	1.2216E-6						
1 Displacement Grid 1	37.25000	13.50000	-3.50000	0.02938	-3.7250	-11.413E-6	
-0.057819	1.0592E-6						
1 Displacement Grid 1	38.25000	13.50000	-3.50000	0.02959	-3.7250	-8.9959E-6	
-0.050303	921.56E-9						
1 Displacement Grid 1	39.25000	13.50000	-3.50000	0.02922	-3.7250	-7.1397E-6	
-0.043925	804.77E-9						
1 Displacement Grid 1	40.25000	13.50000	-3.50000	0.02845	-3.7250	-5.7059E-6	
-0.038500	705.42E-9						
1 Displacement Grid 1	41.25000	13.50000	-3.50000	0.02740	-3.7250	-4.5914E-6	
-0.033873	620.67E-9						
1 Displacement Grid 1	42.25000	13.50000	-3.50000	0.02617	-3.7250	-3.7194E-6	
-0.029913	548.14E-9						
1 Displacement Grid 1	43.25000	13.50000	-3.50000	0.02485	-3.7250	-3.0327E-6	
-0.026513	485.86E-9						
1 Displacement Grid 1	44.25000	13.50000	-3.50000	0.02349	-3.7250	-2.4883E-6	
-0.023584	432.18E-9						
1 Displacement Grid 1	45.25000	13.50000	-3.50000	0.02212	-3.7250	-2.0541E-6	
-0.021050	385.77E-9						
1 Displacement Grid 1	46.25000	13.50000	-3.50000	0.02078	-3.7250	-1.7054E-6	
-0.018851	345.48E-9						
1 Displacement Grid 1	0.25000	14.50000	-3.50000	0.02168	-3.7250	-1.9488E-6	
-0.020360	373.13E-9						
1 Displacement Grid 1	1.25000	14.50000	-3.50000	0.02306	-3.7250	-2.3692E-6	
-0.022853	418.81E-9						
1 Displacement Grid 1	2.25000	14.50000	-3.50000	0.02445	-3.7250	-2.9002E-6	
-0.025752	471.90E-9						
1 Displacement Grid 1	3.25000	14.50000	-3.50000	0.02581	-3.7250	-3.5762E-6	
-0.029137	533.92E-9						

1 Displacement Grid 1	4.25000	14.50000	-3.50000	0.02707	-3.7250	-4.4440E-6
-0.033110 606.69E-9						
1 Displacement Grid 1	5.25000	14.50000	-3.50000	0.02817	-3.7250	-5.5679E-6
-0.037795 692.50E-9						
1 Displacement Grid 1	6.25000	14.50000	-3.50000	0.02897	-3.7250	-7.0370E-6
-0.043348 794.19E-9						
1 Displacement Grid 1	7.25000	14.50000	-3.50000	0.02934	-3.7250	-8.9758E-6
-0.049962 915.31E-9						
1 Displacement Grid 1	8.25000	14.50000	-3.50000	0.02906	-3.7250	-11.560E-6
-0.057880 1.0603E-6						
1 Displacement Grid 1	9.25000	14.50000	-3.50000	0.02787	-3.7250	-15.040E-6
-0.067405 1.2346E-6						
1 Displacement Grid 1	10.25000	14.50000	-3.50000	0.02542	-3.7250	-19.776E-6
-0.078912 1.4453E-6						
1 Displacement Grid 1	11.25000	14.50000	-3.50000	0.02127	-3.7250	-26.284E-6
-0.092868 1.7006E-6						
1 Displacement Grid 1	12.25000	14.50000	-3.50000	0.01491	-3.7250	-35.311E-6
-0.10984 2.0110E-6						
1 Displacement Grid 1	13.25000	14.50000	-3.50000	0.00576	-3.7250	-47.922E-6
-0.13048 2.3886E-6						
1 Displacement Grid 1	14.25000	14.50000	-3.50000	-0.00681	-3.7250	-65.605E-6
-0.15553 2.8466E-6						
1 Displacement Grid 1	15.25000	14.50000	-3.50000	-0.02331	-3.7250	-90.324E-6
-0.18571 3.3981E-6						
1 Displacement Grid 1	16.25000	14.50000	-3.50000	-0.04401	-3.7250	-124.40E-6
-0.22152 4.0520E-6						
1 Displacement Grid 1	17.25000	14.50000	-3.50000	-0.06866	-3.7250	-169.90E-6
-0.26285 4.8063E-6						
1 Displacement Grid 1	18.25000	14.50000	-3.50000	-0.09620	-3.7250	-227.23E-6
-0.30845 5.6381E-6						
1 Displacement Grid 1	19.25000	14.50000	-3.50000	-0.12455	-3.7250	-292.96E-6
-0.35534 6.4929E-6						
1 Displacement Grid 1	20.25000	14.50000	-3.50000	-0.15069	-3.7250	-358.49E-6
-0.39868 7.2827E-6						
1 Displacement Grid 1	21.25000	14.50000	-3.50000	-0.17114	-3.7250	-411.54E-6
-0.43262 7.9010E-6						
1 Displacement Grid 1	22.25000	14.50000	-3.50000	-0.18286	-3.7250	-440.69E-6
-0.45191 8.2525E-6						
1 Displacement Grid 1	23.25000	14.50000	-3.50000	-0.18407	-3.7250	-439.72E-6
-0.45356 8.2828E-6						
1 Displacement Grid 1	24.25000	14.50000	-3.50000	-0.17473	-3.7250	-409.55E-6
-0.43765 7.9933E-6						
1 Displacement Grid 1	25.25000	14.50000	-3.50000	-0.15649	-3.7250	-357.74E-6
-0.40724 7.4396E-6						
1 Displacement Grid 1	26.25000	14.50000	-3.50000	-0.13218	-3.7250	-295.61E-6
-0.36730 6.7119E-6						
1 Displacement Grid 1	27.25000	14.50000	-3.50000	-0.10504	-3.7250	-233.86E-6
-0.32315 5.9071E-6						
1 Displacement Grid 1	28.25000	14.50000	-3.50000	-0.07792	-3.7250	-179.35E-6
-0.27917 5.1048E-6						
1 Displacement Grid 1	29.25000	14.50000	-3.50000	-0.05293	-3.7250	-134.84E-6
-0.23823 4.3576E-6						
1 Displacement Grid 1	30.25000	14.50000	-3.50000	-0.03131	-3.7250	-100.27E-6
-0.20180 3.6923E-6						
1 Displacement Grid 1	31.25000	14.50000	-3.50000	-0.01353	-3.7250	-74.267E-6
-0.17035 3.1175E-6						
1 Displacement Grid 1	32.25000	14.50000	-3.50000	0.00044	-3.7250	-55.054E-6
-0.14370 2.6305E-6						
1 Displacement Grid 1	33.25000	14.50000	-3.50000	0.01095	-3.7250	-40.987E-6
-0.12140 2.2226E-6						
1 Displacement Grid 1	34.25000	14.50000	-3.50000	0.01853	-3.7250	-30.715E-6
-0.10284 1.8832E-6						
1 Displacement Grid 1	35.25000	14.50000	-3.50000	0.02370	-3.7250	-23.199E-6
-0.087450 1.6015E-6						
1 Displacement Grid 1	36.25000	14.50000	-3.50000	0.02697	-3.7250	-17.674E-6
-0.074679 1.3678E-6						
1 Displacement Grid 1	37.25000	14.50000	-3.50000	0.02881	-3.7250	-13.586E-6
-0.064067 1.1736E-6						
1 Displacement Grid 1	38.25000	14.50000	-3.50000	0.02956	-3.7250	-10.538E-6
-0.055224 1.0117E-6						
1 Displacement Grid 1	39.25000	14.50000	-3.50000	0.02954	-3.7250	-8.2457E-6

-0.047828	876.24E-9						
1 Displacement Grid 1		40.25000	14.50000	-3.50000	0.02897	-3.7250	-6.5080E-6
-0.041618	762.51E-9						
1 Displacement Grid 1		41.25000	14.50000	-3.50000	0.02803	-3.7250	-5.1793E-6
-0.036380	666.59E-9						
1 Displacement Grid 1		42.25000	14.50000	-3.50000	0.02685	-3.7250	-4.1547E-6
-0.031944	585.33E-9						
1 Displacement Grid 1		43.25000	14.50000	-3.50000	0.02554	-3.7250	-3.3581E-6
-0.028168	516.17E-9						
1 Displacement Grid 1		44.25000	14.50000	-3.50000	0.02415	-3.7250	-2.7340E-6
-0.024941	457.05E-9						
1 Displacement Grid 1		45.25000	14.50000	-3.50000	0.02275	-3.7250	-2.2411E-6
-0.022170	406.29E-9						
1 Displacement Grid 1		46.25000	14.50000	-3.50000	0.02137	-3.7250	-1.8491E-6
-0.019781	362.52E-9						
1 Displacement Grid 1		0.25000	15.50000	-3.50000	0.02223	-3.7250	-2.1011E-6
-0.021297	390.30E-9						
1 Displacement Grid 1		1.25000	15.50000	-3.50000	0.02365	-3.7250	-2.5699E-6
-0.023991	439.65E-9						
1 Displacement Grid 1		2.25000	15.50000	-3.50000	0.02506	-3.7250	-3.1673E-6
-0.027144	497.40E-9						
1 Displacement Grid 1		3.25000	15.50000	-3.50000	0.02642	-3.7250	-3.9356E-6
-0.030851	565.31E-9						
1 Displacement Grid 1		4.25000	15.50000	-3.50000	0.02765	-3.7250	-4.9331E-6
-0.035237	645.65E-9						
1 Displacement Grid 1		5.25000	15.50000	-3.50000	0.02866	-3.7250	-6.2418E-6
-0.040456	741.24E-9						
1 Displacement Grid 1		6.25000	15.50000	-3.50000	0.02929	-3.7250	-7.9776E-6
-0.046706	855.68E-9						
1 Displacement Grid 1		7.25000	15.50000	-3.50000	0.02935	-3.7250	-10.307E-6
-0.054237	993.59E-9						
1 Displacement Grid 1		8.25000	15.50000	-3.50000	0.02857	-3.7250	-13.474E-6
-0.063375	1.1609E-6						
1 Displacement Grid 1		9.25000	15.50000	-3.50000	0.02659	-3.7250	-17.837E-6
-0.074539	1.3652E-6						
1 Displacement Grid 1		10.25000	15.50000	-3.50000	0.02292	-3.7250	-23.934E-6
-0.088273	1.6166E-6						
1 Displacement Grid 1		11.25000	15.50000	-3.50000	0.01694	-3.7250	-32.583E-6
-0.10528	1.9278E-6						
1 Displacement Grid 1		12.25000	15.50000	-3.50000	0.00787	-3.7250	-45.044E-6
-0.12649	2.3156E-6						
1 Displacement Grid 1		13.25000	15.50000	-3.50000	-0.00523	-3.7250	-63.273E-6
-0.15306	2.8014E-6						
1 Displacement Grid 1		14.25000	15.50000	-3.50000	-0.02344	-3.7250	-90.301E-6
-0.18647	3.4119E-6						
1 Displacement Grid 1		15.25000	15.50000	-3.50000	-0.04780	-3.7250	-130.74E-6
-0.22843	4.1783E-6						
1 Displacement Grid 1		16.25000	15.50000	-3.50000	-0.07912	-3.7250	-191.20E-6
-0.28074	5.1328E-6						
1 Displacement Grid 1		17.25000	15.50000	-3.50000	-0.11753	-3.7250	-279.85E-6
-0.34462	6.2973E-6						
1 Displacement Grid 1		18.25000	15.50000	-3.50000	-0.16182	-3.7250	-403.14E-6
-0.41946	7.6602E-6						
1 Displacement Grid 1		19.25000	15.50000	-3.50000	-0.20881	-3.7250	-557.88E-6
-0.50090	9.1419E-6						
1 Displacement Grid 1		20.25000	15.50000	-3.50000	-0.25318	-3.7250	-722.24E-6
-0.57956	10.572E-6						
1 Displacement Grid 1		21.25000	15.50000	-3.50000	-0.28842	-3.7250	-858.75E-6
-0.64258	11.717E-6						
1 Displacement Grid 1		22.25000	15.50000	-3.50000	-0.30867	-3.7250	-932.49E-6
-0.67819	12.365E-6						
1 Displacement Grid 1		23.25000	15.50000	-3.50000	-0.31053	-3.7250	-926.02E-6
-0.67986	12.396E-6						
1 Displacement Grid 1		24.25000	15.50000	-3.50000	-0.29400	-3.7250	-842.69E-6
-0.64811	11.820E-6						
1 Displacement Grid 1		25.25000	15.50000	-3.50000	-0.26237	-3.7250	-706.03E-6
-0.59012	10.767E-6						
1 Displacement Grid 1		26.25000	15.50000	-3.50000	-0.22114	-3.7250	-551.66E-6
-0.51728	9.4427E-6						
1 Displacement Grid 1		27.25000	15.50000	-3.50000	-0.17627	-3.7250	-409.95E-6
-0.44085	8.0519E-6						

1 Displacement Grid 1	28.25000	15.50000	-3.50000	-0.13267	-3.7250	-295.36E-6
-0.36878 6.7391E-6						
1 Displacement Grid 1	29.25000	15.50000	-3.50000	-0.09356	-3.7250	-209.41E-6
-0.30519 5.5796E-6						
1 Displacement Grid 1	30.25000	15.50000	-3.50000	-0.06056	-3.7250	-147.69E-6
-0.25136 4.5973E-6						
1 Displacement Grid 1	31.25000	15.50000	-3.50000	-0.03402	-3.7250	-104.38E-6
-0.20692 3.7859E-6						
1 Displacement Grid 1	32.25000	15.50000	-3.50000	-0.01353	-3.7250	-74.289E-6
-0.17075 3.1250E-6						
1 Displacement Grid 1	33.25000	15.50000	-3.50000	0.00170	-3.7250	-53.406E-6
-0.14151 2.5903E-6						
1 Displacement Grid 1	34.25000	15.50000	-3.50000	0.01261	-3.7250	-38.839E-6
-0.11790 2.1586E-6						
1 Displacement Grid 1	35.25000	15.50000	-3.50000	0.02009	-3.7250	-28.592E-6
-0.098815 1.8095E-6						
1 Displacement Grid 1	36.25000	15.50000	-3.50000	0.02494	-3.7250	-21.308E-6
-0.083336 1.5262E-6						
1 Displacement Grid 1	37.25000	15.50000	-3.50000	0.02782	-3.7250	-16.071E-6
-0.070721 1.2954E-6						
1 Displacement Grid 1	38.25000	15.50000	-3.50000	0.02925	-3.7250	-12.262E-6
-0.060385 1.1061E-6						
1 Displacement Grid 1	39.25000	15.50000	-3.50000	0.02966	-3.7250	-9.4585E-6
-0.051867 950.19E-9						
1 Displacement Grid 1	40.25000	15.50000	-3.50000	0.02935	-3.7250	-7.3727E-6
-0.044806 820.89E-9						
1 Displacement Grid 1	41.25000	15.50000	-3.50000	0.02855	-3.7250	-5.8035E-6
-0.038917 713.06E-9						
1 Displacement Grid 1	42.25000	15.50000	-3.50000	0.02745	-3.7250	-4.6107E-6
-0.033979 622.61E-9						
1 Displacement Grid 1	43.25000	15.50000	-3.50000	0.02615	-3.7250	-3.6951E-6
-0.029813 546.30E-9						
1 Displacement Grid 1	44.25000	15.50000	-3.50000	0.02476	-3.7250	-2.9856E-6
-0.026280 481.58E-9						
1 Displacement Grid 1	45.25000	15.50000	-3.50000	0.02334	-3.7250	-2.4310E-6
-0.023268 426.40E-9						
1 Displacement Grid 1	46.25000	15.50000	-3.50000	0.02192	-3.7250	-1.9937E-6
-0.020687 379.11E-9						
1 Displacement Grid 1	0.25000	16.50000	-3.50000	0.02273	-3.7250	-2.2506E-6
-0.022192 406.69E-9						
1 Displacement Grid 1	1.25000	16.50000	-3.50000	0.02418	-3.7250	-2.7684E-6
-0.025084 459.67E-9						
1 Displacement Grid 1	2.25000	16.50000	-3.50000	0.02561	-3.7250	-3.4339E-6
-0.028488 522.03E-9						
1 Displacement Grid 1	3.25000	16.50000	-3.50000	0.02696	-3.7250	-4.2979E-6
-0.032519 595.86E-9						
1 Displacement Grid 1	4.25000	16.50000	-3.50000	0.02814	-3.7250	-5.4317E-6
-0.037323 683.85E-9						
1 Displacement Grid 1	5.25000	16.50000	-3.50000	0.02904	-3.7250	-6.9374E-6
-0.043089 789.46E-9						
1 Displacement Grid 1	6.25000	16.50000	-3.50000	0.02946	-3.7250	-8.9628E-6
-0.050062 917.14E-9						
1 Displacement Grid 1	7.25000	16.50000	-3.50000	0.02917	-3.7250	-11.725E-6
-0.058560 1.0727E-6						
1 Displacement Grid 1	8.25000	16.50000	-3.50000	0.02781	-3.7250	-15.552E-6
-0.069007 1.2640E-6						
1 Displacement Grid 1	9.25000	16.50000	-3.50000	0.02490	-3.7250	-20.941E-6
-0.081965 1.5011E-6						
1 Displacement Grid 1	10.25000	16.50000	-3.50000	0.01979	-3.7250	-28.673E-6
-0.098193 1.7981E-6						
1 Displacement Grid 1	11.25000	16.50000	-3.50000	0.01160	-3.7250	-39.996E-6
-0.11873 2.1737E-6						
1 Displacement Grid 1	12.25000	16.50000	-3.50000	-0.00080	-3.7250	-56.952E-6
-0.14498 2.6538E-6						
1 Displacement Grid 1	13.25000	16.50000	-3.50000	-0.01889	-3.7250	-82.976E-6
-0.17892 3.2740E-6						
1 Displacement Grid 1	14.25000	16.50000	-3.50000	-0.04442	-3.7250	-123.98E-6
-0.22324 4.0835E-6						
1 Displacement Grid 1	15.25000	16.50000	-3.50000	-0.07940	-3.7250	-190.27E-6
-0.28162 5.1490E-6						
1 Displacement Grid 1	16.25000	16.50000	-3.50000	-0.12578	-3.7250	-299.75E-6

-0.35883	6.5564E-6						
1 Displacement	Grid 1	17.25000	16.50000	-3.50000	-0.18480	-3.7250	-481.52E-6
-0.46020	8.4014E-6						
1 Displacement	Grid 1	18.25000	16.50000	-3.50000	-0.25579	-3.7250	-773.58E-6
-0.58931	10.747E-6						
1 Displacement	Grid 1	19.25000	16.50000	-3.50000	-0.33438	-3.7250	-0.0011955
-0.74209	13.517E-6						
1 Displacement	Grid 1	20.25000	16.50000	-3.50000	-0.41117	-3.7250	-0.0016883
-0.89930	16.362E-6						
1 Displacement	Grid 1	21.25000	16.50000	-3.50000	-0.47327	-3.7250	-0.0021065
-1.0286	18.702E-6						
1 Displacement	Grid 1	22.25000	16.50000	-3.50000	-0.50893	-3.7250	-0.0023230
-1.1005	20.004E-6						
1 Displacement	Grid 1	23.25000	16.50000	-3.50000	-0.51159	-3.7250	-0.0022903
-1.1003	20.004E-6						
1 Displacement	Grid 1	24.25000	16.50000	-3.50000	-0.48142	-3.7250	-0.0020182
-1.0299	18.732E-6						
1 Displacement	Grid 1	25.25000	16.50000	-3.50000	-0.42518	-3.7250	-0.0015865
-0.90731	16.517E-6						
1 Displacement	Grid 1	26.25000	16.50000	-3.50000	-0.35405	-3.7250	-0.0011359
-0.76222	13.890E-6						
1 Displacement	Grid 1	27.25000	16.50000	-3.50000	-0.27938	-3.7250	-769.64E-6
-0.62093	11.327E-6						
1 Displacement	Grid 1	28.25000	16.50000	-3.50000	-0.20946	-3.7250	-508.84E-6
-0.49748	9.0828E-6						
1 Displacement	Grid 1	29.25000	16.50000	-3.50000	-0.14891	-3.7250	-334.30E-6
-0.39592	7.2338E-6						
1 Displacement	Grid 1	30.25000	16.50000	-3.50000	-0.09937	-3.7250	-220.73E-6
-0.31511	5.7606E-6						
1 Displacement	Grid 1	31.25000	16.50000	-3.50000	-0.06061	-3.7250	-147.54E-6
-0.25189	4.6070E-6						
1 Displacement	Grid 1	32.25000	16.50000	-3.50000	-0.03136	-3.7250	-100.23E-6
-0.20274	3.7094E-6						
1 Displacement	Grid 1	33.25000	16.50000	-3.50000	-0.00998	-3.7250	-69.318E-6
-0.16451	3.0108E-6						
1 Displacement	Grid 1	34.25000	16.50000	-3.50000	0.00516	-3.7250	-48.810E-6
-0.13464	2.4648E-6						
1 Displacement	Grid 1	35.25000	16.50000	-3.50000	0.01551	-3.7250	-34.975E-6
-0.11115	2.0352E-6						
1 Displacement	Grid 1	36.25000	16.50000	-3.50000	0.02228	-3.7250	-25.479E-6
-0.092542	1.6947E-6						
1 Displacement	Grid 1	37.25000	16.50000	-3.50000	0.02642	-3.7250	-18.849E-6
-0.077672	1.4226E-6						
1 Displacement	Grid 1	38.25000	16.50000	-3.50000	0.02867	-3.7250	-14.146E-6
-0.065694	1.2033E-6						
1 Displacement	Grid 1	39.25000	16.50000	-3.50000	0.02959	-3.7250	-10.759E-6
-0.055966	1.0252E-6						
1 Displacement	Grid 1	40.25000	16.50000	-3.50000	0.02959	-3.7250	-8.2842E-6
-0.048003	879.45E-9						
1 Displacement	Grid 1	41.25000	16.50000	-3.50000	0.02897	-3.7250	-6.4519E-6
-0.041436	759.19E-9						
1 Displacement	Grid 1	42.25000	16.50000	-3.50000	0.02795	-3.7250	-5.0783E-6
-0.035981	659.28E-9						
1 Displacement	Grid 1	43.25000	16.50000	-3.50000	0.02670	-3.7250	-4.0367E-6
-0.031419	575.71E-9						
1 Displacement	Grid 1	44.25000	16.50000	-3.50000	0.02531	-3.7250	-3.2381E-6
-0.027578	505.36E-9						
1 Displacement	Grid 1	45.25000	16.50000	-3.50000	0.02387	-3.7250	-2.6197E-6
-0.024325	445.77E-9						
1 Displacement	Grid 1	46.25000	16.50000	-3.50000	0.02242	-3.7250	-2.1363E-6
-0.021554	395.00E-9						
1 Displacement	Grid 1	0.25000	17.50000	-3.50000	0.02318	-3.7250	-2.3937E-6
-0.023027	421.99E-9						
1 Displacement	Grid 1	1.25000	17.50000	-3.50000	0.02465	-3.7250	-2.9599E-6
-0.026110	478.46E-9						
1 Displacement	Grid 1	2.25000	17.50000	-3.50000	0.02609	-3.7250	-3.6932E-6
-0.029757	545.28E-9						
1 Displacement	Grid 1	3.25000	17.50000	-3.50000	0.02742	-3.7250	-4.6534E-6
-0.034103	624.89E-9						
1 Displacement	Grid 1	4.25000	17.50000	-3.50000	0.02854	-3.7250	-5.9260E-6
-0.039320	720.43E-9						



1 Displacement Grid 1	5.25000	17.50000	-3.50000	0.02931	-3.7250	-7.6352E-6
-0.045631 836.01E-9						
1 Displacement Grid 1	6.25000	17.50000	-3.50000	0.02951	-3.7250	-9.9644E-6
-0.053333 977.04E-9						
1 Displacement Grid 1	7.25000	17.50000	-3.50000	0.02882	-3.7250	-13.190E-6
-0.062821 1.1507E-6						
1 Displacement Grid 1	8.25000	17.50000	-3.50000	0.02681	-3.7250	-17.736E-6
-0.074628 1.3669E-6						
1 Displacement Grid 1	9.25000	17.50000	-3.50000	0.02286	-3.7250	-24.275E-6
-0.089487 1.6388E-6						
1 Displacement Grid 1	10.25000	17.50000	-3.50000	0.01612	-3.7250	-33.893E-6
-0.10842 1.9852E-6						
1 Displacement Grid 1	11.25000	17.50000	-3.50000	0.00540	-3.7250	-48.410E-6
-0.13287 2.4324E-6						
1 Displacement Grid 1	12.25000	17.50000	-3.50000	-0.01091	-3.7250	-70.985E-6
-0.16493 3.0185E-6						
1 Displacement Grid 1	13.25000	17.50000	-3.50000	-0.03498	-3.7250	-107.33E-6
-0.20768 3.7996E-6						
1 Displacement Grid 1	14.25000	17.50000	-3.50000	-0.06960	-3.7250	-168.28E-6
-0.26577 4.8600E-6						
1 Displacement Grid 1	15.25000	17.50000	-3.50000	-0.11830	-3.7250	-275.48E-6
-0.34632 6.3288E-6						
1 Displacement Grid 1	16.25000	17.50000	-3.50000	-0.18517	-3.7250	-474.35E-6
-0.46037 8.4050E-6						
1 Displacement Grid 1	17.25000	17.50000	-3.50000	-0.27426	-3.7250	-862.88E-6
-0.62454 11.386E-6						
1 Displacement Grid 1	18.25000	17.50000	-3.50000	-0.38780	-3.7250	-0.0016398
-0.86038 15.653E-6						
1 Displacement Grid 1	19.25000	17.50000	-3.50000	-0.52194	-3.7250	-0.0030766
-1.1803 21.412E-6						
1 Displacement Grid 1	20.25000	17.50000	-3.50000	-0.66027	-3.7250	-0.0050659
-1.5457 27.964E-6						
1 Displacement Grid 1	21.25000	17.50000	-3.50000	-0.77435	-3.7250	-0.0067423
-1.8525 33.464E-6						
1 Displacement Grid 1	22.25000	17.50000	-3.50000	-0.83898	-3.7250	-0.0075095
-2.0147 36.382E-6						
1 Displacement Grid 1	23.25000	17.50000	-3.50000	-0.84220	-3.7250	-0.0073460
-2.0049 36.213E-6						
1 Displacement Grid 1	24.25000	17.50000	-3.50000	-0.78435	-3.7250	-0.0062226
-1.8251 33.001E-6						
1 Displacement Grid 1	25.25000	17.50000	-3.50000	-0.67939	-3.7250	-0.0043860
-1.5219 27.578E-6						
1 Displacement Grid 1	26.25000	17.50000	-3.50000	-0.55251	-3.7250	-0.0026857
-1.1926 21.666E-6						
1 Displacement Grid 1	27.25000	17.50000	-3.50000	-0.42661	-3.7250	-0.0015735
-0.90841 16.538E-6						
1 Displacement Grid 1	28.25000	17.50000	-3.50000	-0.31469	-3.7250	-922.37E-6
-0.68613 12.511E-6						
1 Displacement Grid 1	29.25000	17.50000	-3.50000	-0.22200	-3.7250	-548.27E-6
-0.51934 9.4808E-6						
1 Displacement Grid 1	30.25000	17.50000	-3.50000	-0.14904	-3.7250	-333.49E-6
-0.39649 7.2443E-6						
1 Displacement Grid 1	31.25000	17.50000	-3.50000	-0.09375	-3.7250	-208.69E-6
-0.30634 5.6008E-6						
1 Displacement Grid 1	32.25000	17.50000	-3.50000	-0.05311	-3.7250	-134.52E-6
-0.23982 4.3868E-6						
1 Displacement Grid 1	33.25000	17.50000	-3.50000	-0.02402	-3.7250	-89.201E-6
-0.19024 3.4812E-6						
1 Displacement Grid 1	34.25000	17.50000	-3.50000	-0.00371	-3.7250	-60.718E-6
-0.15283 2.7973E-6						
1 Displacement Grid 1	35.25000	17.50000	-3.50000	0.01006	-3.7250	-42.319E-6
-0.12423 2.2744E-6						
1 Displacement Grid 1	36.25000	17.50000	-3.50000	0.01907	-3.7250	-30.131E-6
-0.10210 1.8695E-6						
1 Displacement Grid 1	37.25000	17.50000	-3.50000	0.02466	-3.7250	-21.869E-6
-0.084759 1.5523E-6						
1 Displacement Grid 1	38.25000	17.50000	-3.50000	0.02784	-3.7250	-16.150E-6
-0.071025 1.3009E-6						
1 Displacement Grid 1	39.25000	17.50000	-3.50000	0.02934	-3.7250	-12.116E-6
-0.060029 1.0996E-6						
1 Displacement Grid 1	40.25000	17.50000	-3.50000	0.02969	-3.7250	-9.2196E-6

-0.051137	936.83E-9						
1 Displacement Grid 1	41.25000	17.50000	-3.50000	0.02928	-3.7250	-7.1079E-6	
-0.043880	803.94E-9						
1 Displacement Grid 1	42.25000	17.50000	-3.50000	0.02838	-3.7250	-5.5456E-6	
-0.037907	694.55E-9						
1 Displacement Grid 1	43.25000	17.50000	-3.50000	0.02717	-3.7250	-4.3742E-6	
-0.032951	603.78E-9						
1 Displacement Grid 1	44.25000	17.50000	-3.50000	0.02579	-3.7250	-3.4853E-6	
-0.028808	527.89E-9						
1 Displacement Grid 1	45.25000	17.50000	-3.50000	0.02434	-3.7250	-2.8029E-6	
-0.025321	464.01E-9						
1 Displacement Grid 1	46.25000	17.50000	-3.50000	0.02287	-3.7250	-2.2736E-6	
-0.022367	409.89E-9						
1 Displacement Grid 1	0.25000	18.50000	-3.50000	0.02358	-3.7250	-2.5267E-6	
-0.023787	435.90E-9						
1 Displacement Grid 1	1.25000	18.50000	-3.50000	0.02506	-3.7250	-3.1390E-6	
-0.027046	495.61E-9						
1 Displacement Grid 1	2.25000	18.50000	-3.50000	0.02650	-3.7250	-3.9374E-6	
-0.030922	566.62E-9						
1 Displacement Grid 1	3.25000	18.50000	-3.50000	0.02781	-3.7250	-4.9909E-6	
-0.035566	651.68E-9						
1 Displacement Grid 1	4.25000	18.50000	-3.50000	0.02887	-3.7250	-6.3998E-6	
-0.041176	754.42E-9						
1 Displacement Grid 1	5.25000	18.50000	-3.50000	0.02950	-3.7250	-8.3112E-6	
-0.048012	879.60E-9						
1 Displacement Grid 1	6.25000	18.50000	-3.50000	0.02945	-3.7250	-10.946E-6	
-0.056423	1.0336E-6						
1 Displacement Grid 1	7.25000	18.50000	-3.50000	0.02835	-3.7250	-14.646E-6	
-0.066886	1.2252E-6						
1 Displacement Grid 1	8.25000	18.50000	-3.50000	0.02565	-3.7250	-19.944E-6	
-0.080054	1.4662E-6						
1 Displacement Grid 1	9.25000	18.50000	-3.50000	0.02060	-3.7250	-27.708E-6	
-0.096848	1.7735E-6						
1 Displacement Grid 1	10.25000	18.50000	-3.50000	0.01211	-3.7250	-39.392E-6	
-0.11859	2.1712E-6						
1 Displacement Grid 1	11.25000	18.50000	-3.50000	-0.00137	-3.7250	-57.522E-6	
-0.14721	2.6946E-6						
1 Displacement Grid 1	12.25000	18.50000	-3.50000	-0.02202	-3.7250	-86.707E-6	
-0.18564	3.3969E-6						
1 Displacement Grid 1	13.25000	18.50000	-3.50000	-0.05286	-3.7250	-135.83E-6	
-0.23842	4.3609E-6						
1 Displacement Grid 1	14.25000	18.50000	-3.50000	-0.09810	-3.7250	-223.24E-6	
-0.31293	5.7206E-6						
1 Displacement Grid 1	15.25000	18.50000	-3.50000	-0.16345	-3.7250	-390.29E-6	
-0.42173	7.7029E-6						
1 Displacement Grid 1	16.25000	18.50000	-3.50000	-0.25658	-3.7250	-740.88E-6	
-0.58744	10.715E-6						
1 Displacement Grid 1	17.25000	18.50000	-3.50000	-0.38740	-3.7250	-0.0015740	
-0.85356	15.532E-6						
1 Displacement Grid 1	18.25000	18.50000	-3.50000	-0.56787	-3.7250	-0.0038799	
-1.3075	23.683E-6						
1 Displacement Grid 1	19.25000	18.50000	-3.50000	-0.80728	-3.7250	-0.010878	
-2.1006	37.706E-6						
1 Displacement Grid 1	20.25000	18.50000	-3.50000	-1.08358	-3.7250	-0.025583	
-3.2373	57.460E-6						
1 Displacement Grid 1	21.25000	18.50000	-3.50000	-1.31294	-3.7250	-0.036576	
-4.1666	73.684E-6						
1 Displacement Grid 1	22.25000	18.50000	-3.50000	-1.43478	-3.7250	-0.039926	
-4.5802	81.020E-6						
1 Displacement Grid 1	23.25000	18.50000	-3.50000	-1.43695	-3.7250	-0.039095	
-4.5318	80.193E-6						
1 Displacement Grid 1	24.25000	18.50000	-3.50000	-1.31603	-3.7250	-0.032420	
-3.9755	70.489E-6						
1 Displacement Grid 1	25.25000	18.50000	-3.50000	-1.09520	-3.7250	-0.018035	
-2.9626	52.982E-6						
1 Displacement Grid 1	26.25000	18.50000	-3.50000	-0.85094	-3.7250	-0.0077347	
-2.0263	36.577E-6						
1 Displacement Grid 1	27.25000	18.50000	-3.50000	-0.63372	-3.7250	-0.0035803	
-1.3905	25.227E-6						
1 Displacement Grid 1	28.25000	18.50000	-3.50000	-0.45479	-3.7250	-0.0017726	
-0.96772	17.611E-6						

1 Displacement Grid 1	29.25000	18.50000	-3.50000	-0.31491	-3.7250	-921.06E-6
-0.68650 12.518E-6						
1 Displacement Grid 1	30.25000	18.50000	-3.50000	-0.20982	-3.7250	-505.49E-6
-0.49847 9.1012E-6						
1 Displacement Grid 1	31.25000	18.50000	-3.50000	-0.13312	-3.7250	-292.97E-6
-0.37057 6.7721E-6						
1 Displacement Grid 1	32.25000	18.50000	-3.50000	-0.07837	-3.7250	-178.28E-6
-0.28156 5.1487E-6						
1 Displacement Grid 1	33.25000	18.50000	-3.50000	-0.04004	-3.7250	-113.14E-6
-0.21814 3.9909E-6						
1 Displacement Grid 1	34.25000	18.50000	-3.50000	-0.01373	-3.7250	-74.405E-6
-0.17196 3.1470E-6						
1 Displacement Grid 1	35.25000	18.50000	-3.50000	0.00393	-3.7250	-50.455E-6
-0.13765 2.5198E-6						
1 Displacement Grid 1	36.25000	18.50000	-3.50000	0.01544	-3.7250	-35.132E-6
-0.11170 2.0453E-6						
1 Displacement Grid 1	37.25000	18.50000	-3.50000	0.02263	-3.7250	-25.034E-6
-0.091764 1.6805E-6						
1 Displacement Grid 1	38.25000	18.50000	-3.50000	0.02682	-3.7250	-18.207E-6
-0.076218 1.3960E-6						
1 Displacement Grid 1	39.25000	18.50000	-3.50000	0.02895	-3.7250	-13.483E-6
-0.063937 1.1712E-6						
1 Displacement Grid 1	40.25000	18.50000	-3.50000	0.02968	-3.7250	-10.148E-6
-0.054118 991.42E-9						
1 Displacement Grid 1	41.25000	18.50000	-3.50000	0.02950	-3.7250	-7.7504E-6
-0.046184 846.13E-9						
1 Displacement Grid 1	42.25000	18.50000	-3.50000	0.02871	-3.7250	-5.9979E-6
-0.039708 727.53E-9						
1 Displacement Grid 1	43.25000	18.50000	-3.50000	0.02757	-3.7250	-4.6977E-6
-0.034374 629.84E-9						
1 Displacement Grid 1	44.25000	18.50000	-3.50000	0.02621	-3.7250	-3.7200E-6
-0.029943 548.68E-9						
1 Displacement Grid 1	45.25000	18.50000	-3.50000	0.02475	-3.7250	-2.9755E-6
-0.026235 480.75E-9						
1 Displacement Grid 1	46.25000	18.50000	-3.50000	0.02326	-3.7250	-2.4021E-6
-0.023109 423.48E-9						
1 Displacement Grid 1	0.25000	19.50000	-3.50000	0.02391	-3.7250	-2.6455E-6
-0.024453 448.10E-9						
1 Displacement Grid 1	1.25000	19.50000	-3.50000	0.02541	-3.7250	-3.2999E-6
-0.027871 510.72E-9						
1 Displacement Grid 1	2.25000	19.50000	-3.50000	0.02684	-3.7250	-4.1582E-6
-0.031953 585.50E-9						
1 Displacement Grid 1	3.25000	19.50000	-3.50000	0.02812	-3.7250	-5.2985E-6
-0.036868 675.51E-9						
1 Displacement Grid 1	4.25000	19.50000	-3.50000	0.02911	-3.7250	-6.8349E-6
-0.042836 784.83E-9						
1 Displacement Grid 1	5.25000	19.50000	-3.50000	0.02961	-3.7250	-8.9377E-6
-0.050156 918.86E-9						
1 Displacement Grid 1	6.25000	19.50000	-3.50000	0.02932	-3.7250	-11.866E-6
-0.059229 1.0850E-6						
1 Displacement Grid 1	7.25000	19.50000	-3.50000	0.02780	-3.7250	-16.026E-6
-0.070609 1.2933E-6						
1 Displacement Grid 1	8.25000	19.50000	-3.50000	0.02443	-3.7250	-22.067E-6
-0.085075 1.5581E-6						
1 Displacement Grid 1	9.25000	19.50000	-3.50000	0.01828	-3.7250	-31.065E-6
-0.10374 1.8997E-6						
1 Displacement Grid 1	10.25000	19.50000	-3.50000	0.00802	-3.7250	-44.873E-6
-0.12825 2.3479E-6						
1 Displacement Grid 1	11.25000	19.50000	-3.50000	-0.00829	-3.7250	-66.815E-6
-0.16106 2.9479E-6						
1 Displacement Grid 1	12.25000	19.50000	-3.50000	-0.03342	-3.7250	-103.20E-6
-0.20605 3.7699E-6						
1 Displacement Grid 1	13.25000	19.50000	-3.50000	-0.07143	-3.7250	-166.79E-6
-0.26948 4.9281E-6						
1 Displacement Grid 1	14.25000	19.50000	-3.50000	-0.12817	-3.7250	-285.79E-6
-0.36214 6.6181E-6						
1 Displacement Grid 1	15.25000	19.50000	-3.50000	-0.21214	-3.7250	-529.93E-6
-0.50384 9.1980E-6						
1 Displacement Grid 1	16.25000	19.50000	-3.50000	-0.33600	-3.7250	-0.0011014
-0.73475 13.389E-6						
1 Displacement Grid 1	17.25000	19.50000	-3.50000	-0.51950	-3.7250	-0.0027419

-1.1484	20.852E-6						
1 Displacement	Grid 1	18.25000	19.50000	-3.50000	-0.79839	-3.7250	-0.0094506
-2.0167	36.274E-6						
1 Displacement	Grid 1	19.25000	19.50000	-3.50000	-1.25940	-3.7250	-0.065444
-4.4815	77.325E-6						
1 Displacement	Grid 1	20.25000	19.50000	-3.50000	-2.02687	-3.7250	-0.71360
-12.714	180.36E-6						
1 Displacement	Grid 1	21.25000	19.50000	-3.50000	-2.59773	-3.7250	-0.95215
-17.494	250.37E-6						
1 Displacement	Grid 1	22.25000	19.50000	-3.50000	-2.83117	-3.7250	-0.96795
-18.599	269.45E-6						
1 Displacement	Grid 1	23.25000	19.50000	-3.50000	-2.82999	-3.7250	-0.96450
-18.448	266.94E-6						
1 Displacement	Grid 1	24.25000	19.50000	-3.50000	-2.54539	-3.7250	-0.89518
-16.246	231.71E-6						
1 Displacement	Grid 1	25.25000	19.50000	-3.50000	-1.87161	-3.7250	-0.20661
-8.0698	132.68E-6						
1 Displacement	Grid 1	26.25000	19.50000	-3.50000	-1.30899	-3.7250	-0.028465
-3.8450	68.388E-6						
1 Displacement	Grid 1	27.25000	19.50000	-3.50000	-0.92148	-3.7250	-0.0096063
-2.2563	40.656E-6						
1 Displacement	Grid 1	28.25000	19.50000	-3.50000	-0.63448	-3.7250	-0.0036663
-1.3942	25.290E-6						
1 Displacement	Grid 1	29.25000	19.50000	-3.50000	-0.42711	-3.7250	-0.0015693
-0.90807	16.532E-6						
1 Displacement	Grid 1	30.25000	19.50000	-3.50000	-0.28010	-3.7250	-757.80E-6
-0.62154	11.339E-6						
1 Displacement	Grid 1	31.25000	19.50000	-3.50000	-0.17720	-3.7250	-403.25E-6
-0.44313	8.0942E-6						
1 Displacement	Grid 1	32.25000	19.50000	-3.50000	-0.10597	-3.7250	-231.18E-6
-0.32647	5.9683E-6						
1 Displacement	Grid 1	33.25000	19.50000	-3.50000	-0.05724	-3.7250	-140.44E-6
-0.24708	4.5194E-6						
1 Displacement	Grid 1	34.25000	19.50000	-3.50000	-0.02435	-3.7250	-89.347E-6
-0.19123	3.4993E-6						
1 Displacement	Grid 1	35.25000	19.50000	-3.50000	-0.00253	-3.7250	-59.032E-6
-0.15085	2.7613E-6						
1 Displacement	Grid 1	36.25000	19.50000	-3.50000	0.01162	-3.7250	-40.257E-6
-0.12098	2.2149E-6						
1 Displacement	Grid 1	37.25000	19.50000	-3.50000	0.02046	-3.7250	-28.204E-6
-0.098417	1.8022E-6						
1 Displacement	Grid 1	38.25000	19.50000	-3.50000	0.02569	-3.7250	-20.226E-6
-0.081083	1.4850E-6						
1 Displacement	Grid 1	39.25000	19.50000	-3.50000	0.02846	-3.7250	-14.804E-6
-0.067555	1.2374E-6						
1 Displacement	Grid 1	40.25000	19.50000	-3.50000	0.02958	-3.7250	-11.032E-6
-0.056852	1.0415E-6						
1 Displacement	Grid 1	41.25000	19.50000	-3.50000	0.02963	-3.7250	-8.3548E-6
-0.048278	884.48E-9						
1 Displacement	Grid 1	42.25000	19.50000	-3.50000	0.02897	-3.7250	-6.4189E-6
-0.041332	757.29E-9						
1 Displacement	Grid 1	43.25000	19.50000	-3.50000	0.02789	-3.7250	-4.9961E-6
-0.035649	653.19E-9						
1 Displacement	Grid 1	44.25000	19.50000	-3.50000	0.02655	-3.7250	-3.9347E-6
-0.030955	567.21E-9						
1 Displacement	Grid 1	45.25000	19.50000	-3.50000	0.02509	-3.7250	-3.1322E-6
-0.027045	495.59E-9						
1 Displacement	Grid 1	46.25000	19.50000	-3.50000	0.02359	-3.7250	-2.5180E-6
-0.023763	435.48E-9						
1 Displacement	Grid 1	0.25000	20.50000	-3.50000	0.02418	-3.7250	-2.7465E-6
-0.025010	458.31E-9						
1 Displacement	Grid 1	1.25000	20.50000	-3.50000	0.02569	-3.7250	-3.4372E-6
-0.028563	523.40E-9						
1 Displacement	Grid 1	2.25000	20.50000	-3.50000	0.02712	-3.7250	-4.3476E-6
-0.032821	601.41E-9						
1 Displacement	Grid 1	3.25000	20.50000	-3.50000	0.02837	-3.7250	-5.5638E-6
-0.037968	695.68E-9						
1 Displacement	Grid 1	4.25000	20.50000	-3.50000	0.02930	-3.7250	-7.2128E-6
-0.044248	810.68E-9						
1 Displacement	Grid 1	5.25000	20.50000	-3.50000	0.02967	-3.7250	-9.4862E-6
-0.051989	952.44E-9						

1 Displacement Grid 1	6.25000	20.50000	-3.50000	0.02915	-3.7250	-12.679E-6
-0.061643 1.1292E-6						
1 Displacement Grid 1	7.25000	20.50000	-3.50000	0.02726	-3.7250	-17.258E-6
-0.073837 1.3524E-6						
1 Displacement Grid 1	8.25000	20.50000	-3.50000	0.02325	-3.7250	-23.982E-6
-0.089467 1.6385E-6						
1 Displacement Grid 1	9.25000	20.50000	-3.50000	0.01608	-3.7250	-34.134E-6
-0.10983 2.0111E-6						
1 Displacement Grid 1	10.25000	20.50000	-3.50000	0.00416	-3.7250	-49.961E-6
-0.13688 2.5059E-6						
1 Displacement Grid 1	11.25000	20.50000	-3.50000	-0.01481	-3.7250	-75.595E-6
-0.17362 3.1774E-6						
1 Displacement Grid 1	12.25000	20.50000	-3.50000	-0.04424	-3.7250	-119.10E-6
-0.22485 4.1134E-6						
1 Displacement Grid 1	13.25000	20.50000	-3.50000	-0.08920	-3.7250	-197.36E-6
-0.29865 5.4606E-6						
1 Displacement Grid 1	14.25000	20.50000	-3.50000	-0.15727	-3.7250	-349.31E-6
-0.40941 7.4800E-6						
1 Displacement Grid 1	15.25000	20.50000	-3.50000	-0.25996	-3.7250	-676.88E-6
-0.58498 10.675E-6						
1 Displacement Grid 1	16.25000	20.50000	-3.50000	-0.41555	-3.7250	-0.0015006
-0.88580 16.129E-6						
1 Displacement Grid 1	17.25000	20.50000	-3.50000	-0.65571	-3.7250	-0.0041591
-1.4686 26.617E-6						
1 Displacement Grid 1	18.25000	20.50000	-3.50000	-1.05024	-3.7250	-0.017911
-2.8861 51.588E-6						
1 Displacement Grid 1	19.25000	20.50000	-3.50000	-1.85938	-3.7250	-0.25925
-9.0049 145.93E-6						
1 Displacement Grid 1	20.25000	20.50000	-3.50000	-4.88563	-3.6800	-59.598
-123.73 -0.0021353						
1 Displacement Grid 1	21.25000	20.50000	-3.50000	-6.22797	-3.6800	-62.433
-145.43 -0.0019470						
1 Displacement Grid 1	22.25000	20.50000	-3.50000	-6.58004	-3.6800	-62.456
-147.24 -0.0019153						
1 Displacement Grid 1	23.25000	20.50000	-3.50000	-6.58092	-3.6800	-62.452
-147.09 -0.0019180						
1 Displacement Grid 1	24.25000	20.50000	-3.50000	-6.07889	-3.6800	-62.266
-142.28 -0.0019924						
1 Displacement Grid 1	25.25000	20.50000	-3.50000	-3.33131	-3.7250	-2.3175
-26.843 320.88E-6						
1 Displacement Grid 1	26.25000	20.50000	-3.50000	-2.07947	-3.7250	-0.20734
-9.2071 153.48E-6						
1 Displacement Grid 1	27.25000	20.50000	-3.50000	-1.32784	-3.7250	-0.039473
-4.0935 72.132E-6						
1 Displacement Grid 1	28.25000	20.50000	-3.50000	-0.85246	-3.7250	-0.0081354
-2.0344 36.695E-6						
1 Displacement Grid 1	29.25000	20.50000	-3.50000	-0.55280	-3.7250	-0.0026211
-1.1845 21.523E-6						
1 Displacement Grid 1	30.25000	20.50000	-3.50000	-0.35529	-3.7250	-0.0010954
-0.76014 13.855E-6						
1 Displacement Grid 1	31.25000	20.50000	-3.50000	-0.22293	-3.7250	-535.28E-6
-0.51973 9.4888E-6						
1 Displacement Grid 1	32.25000	20.50000	-3.50000	-0.13399	-3.7250	-290.12E-6
-0.37181 6.7950E-6						
1 Displacement Grid 1	33.25000	20.50000	-3.50000	-0.07442	-3.7250	-169.35E-6
-0.27531 5.0349E-6						
1 Displacement Grid 1	34.25000	20.50000	-3.50000	-0.03484	-3.7250	-104.56E-6
-0.20955 3.8339E-6						
1 Displacement Grid 1	35.25000	20.50000	-3.50000	-0.00885	-3.7250	-67.504E-6
-0.16314 2.9859E-6						
1 Displacement Grid 1	36.25000	20.50000	-3.50000	0.00788	-3.7250	-45.195E-6
-0.12945 2.3699E-6						
1 Displacement Grid 1	37.25000	20.50000	-3.50000	0.01833	-3.7250	-31.195E-6
-0.10441 1.9118E-6						
1 Displacement Grid 1	38.25000	20.50000	-3.50000	0.02455	-3.7250	-22.099E-6
-0.085410 1.5642E-6						
1 Displacement Grid 1	39.25000	20.50000	-3.50000	0.02794	-3.7250	-16.010E-6
-0.070741 1.2957E-6						
1 Displacement Grid 1	40.25000	20.50000	-3.50000	0.02943	-3.7250	-11.830E-6
-0.059237 1.0851E-6						
1 Displacement Grid 1	41.25000	20.50000	-3.50000	0.02969	-3.7250	-8.8942E-6

-0.050091	917.68E-9						
1 Displacement	Grid 1	42.25000	20.50000	-3.50000	0.02916	-3.7250	-6.7911E-6
-0.042730	782.88E-9						
1 Displacement	Grid 1	43.25000	20.50000	-3.50000	0.02814	-3.7250	-5.2576E-6
-0.036739	673.16E-9						
1 Displacement	Grid 1	44.25000	20.50000	-3.50000	0.02683	-3.7250	-4.1216E-6
-0.031815	582.97E-9						
1 Displacement	Grid 1	45.25000	20.50000	-3.50000	0.02537	-3.7250	-3.2678E-6
-0.027731	508.17E-9						
1 Displacement	Grid 1	46.25000	20.50000	-3.50000	0.02386	-3.7250	-2.6178E-6
-0.024316	445.60E-9						
1 Displacement	Grid 1	0.25000	21.50000	-3.50000	0.02439	-3.7250	-2.8260E-6
-0.025444	466.26E-9						
1 Displacement	Grid 1	1.25000	21.50000	-3.50000	0.02590	-3.7250	-3.5458E-6
-0.029104	533.31E-9						
1 Displacement	Grid 1	2.25000	21.50000	-3.50000	0.02732	-3.7250	-4.4980E-6
-0.033502	613.87E-9						
1 Displacement	Grid 1	3.25000	21.50000	-3.50000	0.02855	-3.7250	-5.7754E-6
-0.038834	711.53E-9						
1 Displacement	Grid 1	4.25000	21.50000	-3.50000	0.02942	-3.7250	-7.5159E-6
-0.045363	831.09E-9						
1 Displacement	Grid 1	5.25000	21.50000	-3.50000	0.02969	-3.7250	-9.9287E-6
-0.053443	979.06E-9						
1 Displacement	Grid 1	6.25000	21.50000	-3.50000	0.02899	-3.7250	-13.339E-6
-0.063567	1.1644E-6						
1 Displacement	Grid 1	7.25000	21.50000	-3.50000	0.02677	-3.7250	-18.266E-6
-0.076426	1.3998E-6						
1 Displacement	Grid 1	8.25000	21.50000	-3.50000	0.02224	-3.7250	-25.564E-6
-0.093012	1.7033E-6						
1 Displacement	Grid 1	9.25000	21.50000	-3.50000	0.01420	-3.7250	-36.694E-6
-0.11479	2.1018E-6						
1 Displacement	Grid 1	10.25000	21.50000	-3.50000	0.00088	-3.7250	-54.252E-6
-0.14397	2.6355E-6						
1 Displacement	Grid 1	11.25000	21.50000	-3.50000	-0.02036	-3.7250	-83.089E-6
-0.18403	3.3678E-6						
1 Displacement	Grid 1	12.25000	21.50000	-3.50000	-0.05350	-3.7250	-132.84E-6
-0.24062	4.4016E-6						
1 Displacement	Grid 1	13.25000	21.50000	-3.50000	-0.10450	-3.7250	-224.08E-6
-0.32342	5.9128E-6						
1 Displacement	Grid 1	14.25000	21.50000	-3.50000	-0.18248	-3.7250	-405.32E-6
-0.45007	8.2214E-6						
1 Displacement	Grid 1	15.25000	21.50000	-3.50000	-0.30169	-3.7250	-806.52E-6
-0.65554	11.959E-6						
1 Displacement	Grid 1	16.25000	21.50000	-3.50000	-0.48532	-3.7250	-0.0018461
-1.0177	18.521E-6						
1 Displacement	Grid 1	17.25000	21.50000	-3.50000	-0.77493	-3.7250	-0.0053052
-1.7433	31.569E-6						
1 Displacement	Grid 1	18.25000	21.50000	-3.50000	-1.26440	-3.7250	-0.023453
-3.5700	63.718E-6						
1 Displacement	Grid 1	19.25000	21.50000	-3.50000	-2.29204	-3.7250	-0.31379
-11.357	185.02E-6						
1 Displacement	Grid 1	20.25000	21.50000	-3.50000	-5.74006	-3.6800	-59.981
-131.56	-0.0020200						
1 Displacement	Grid 1	21.25000	21.50000	-3.50000	-7.41412	-3.6800	-62.941
-156.45	-0.0017824						
1 Displacement	Grid 1	22.25000	21.50000	-3.50000	-7.88216	-3.6800	-62.970
-158.88	-0.0017399						
1 Displacement	Grid 1	23.25000	21.50000	-3.50000	-7.92732	-3.6800	-62.969
-158.95	-0.0017386						
1 Displacement	Grid 1	24.25000	21.50000	-3.50000	-7.53038	-3.6800	-62.891
-156.01	-0.0017868						
1 Displacement	Grid 1	25.25000	21.50000	-3.50000	-6.21104	-3.6800	-58.582
-131.71	-0.0019138						
1 Displacement	Grid 1	26.25000	21.50000	-3.50000	-4.58448	-3.6800	-55.870
-108.51	-0.0021388						
1 Displacement	Grid 1	27.25000	21.50000	-3.50000	-1.88380	-3.7250	-0.21043
-8.2417	135.55E-6						
1 Displacement	Grid 1	28.25000	21.50000	-3.50000	-1.08635	-3.7250	-0.016160
-2.8555	51.157E-6						
1 Displacement	Grid 1	29.25000	21.50000	-3.50000	-0.67792	-3.7250	-0.0039807
-1.4842	26.916E-6						

1 Displacement Grid 1	30.25000	21.50000	-3.50000	-0.42747	-3.7250	-0.0014758
-0.89897 16.372E-6						
1 Displacement Grid 1	31.25000	21.50000	-3.50000	-0.26581	-3.7250	-673.23E-6
-0.59279 10.818E-6						
1 Displacement Grid 1	32.25000	21.50000	-3.50000	-0.15980	-3.7250	-348.66E-6
-0.41354 7.5557E-6						
1 Displacement Grid 1	33.25000	21.50000	-3.50000	-0.09004	-3.7250	-196.98E-6
-0.30060 5.4964E-6						
1 Displacement Grid 1	34.25000	21.50000	-3.50000	-0.04427	-3.7250	-118.68E-6
-0.22558 4.1269E-6						
1 Displacement Grid 1	35.25000	21.50000	-3.50000	-0.01452	-3.7250	-75.166E-6
-0.17370 3.1789E-6						
1 Displacement Grid 1	36.25000	21.50000	-3.50000	0.00454	-3.7250	-49.568E-6
-0.13663 2.5012E-6						
1 Displacement Grid 1	37.25000	21.50000	-3.50000	0.01642	-3.7250	-33.798E-6
-0.10942 2.0035E-6						
1 Displacement Grid 1	38.25000	21.50000	-3.50000	0.02352	-3.7250	-23.704E-6
-0.088990 1.6297E-6						
1 Displacement Grid 1	39.25000	21.50000	-3.50000	0.02744	-3.7250	-17.032E-6
-0.073352 1.3435E-6						
1 Displacement Grid 1	40.25000	21.50000	-3.50000	0.02926	-3.7250	-12.498E-6
-0.061177 1.1207E-6						
1 Displacement Grid 1	41.25000	21.50000	-3.50000	0.02971	-3.7250	-9.3416E-6
-0.051556 944.50E-9						
1 Displacement Grid 1	42.25000	21.50000	-3.50000	0.02928	-3.7250	-7.0973E-6
-0.043852 803.43E-9						
1 Displacement Grid 1	43.25000	21.50000	-3.50000	0.02832	-3.7250	-5.4713E-6
-0.037611 689.12E-9						
1 Displacement Grid 1	44.25000	21.50000	-3.50000	0.02704	-3.7250	-4.2734E-6
-0.032500 595.52E-9						
1 Displacement Grid 1	45.25000	21.50000	-3.50000	0.02559	-3.7250	-3.3773E-6
-0.028275 518.13E-9						
1 Displacement Grid 1	46.25000	21.50000	-3.50000	0.02407	-3.7250	-2.6979E-6
-0.024753 453.60E-9						
1 Displacement Grid 1	0.25000	22.50000	-3.50000	0.02453	-3.7250	-2.8813E-6
-0.025744 471.76E-9						
1 Displacement Grid 1	1.25000	22.50000	-3.50000	0.02604	-3.7250	-3.6215E-6
-0.029478 540.17E-9						
1 Displacement Grid 1	2.25000	22.50000	-3.50000	0.02746	-3.7250	-4.6031E-6
-0.033974 622.52E-9						
1 Displacement Grid 1	3.25000	22.50000	-3.50000	0.02867	-3.7250	-5.9238E-6
-0.039436 722.56E-9						
1 Displacement Grid 1	4.25000	22.50000	-3.50000	0.02951	-3.7250	-7.7292E-6
-0.046139 845.32E-9						
1 Displacement Grid 1	5.25000	22.50000	-3.50000	0.02970	-3.7250	-10.241E-6
-0.054459 997.66E-9						
1 Displacement Grid 1	6.25000	22.50000	-3.50000	0.02886	-3.7250	-13.807E-6
-0.064916 1.1891E-6						
1 Displacement Grid 1	7.25000	22.50000	-3.50000	0.02641	-3.7250	-18.985E-6
-0.078248 1.4331E-6						
1 Displacement Grid 1	8.25000	22.50000	-3.50000	0.02150	-3.7250	-26.699E-6
-0.095519 1.7492E-6						
1 Displacement Grid 1	9.25000	22.50000	-3.50000	0.01283	-3.7250	-38.543E-6
-0.11831 2.1662E-6						
1 Displacement Grid 1	10.25000	22.50000	-3.50000	-0.00151	-3.7250	-57.372E-6
-0.14904 2.7282E-6						
1 Displacement Grid 1	11.25000	22.50000	-3.50000	-0.02443	-3.7250	-88.575E-6
-0.19153 3.5048E-6						
1 Displacement Grid 1	12.25000	22.50000	-3.50000	-0.06029	-3.7250	-142.95E-6
-0.25206 4.6105E-6						
1 Displacement Grid 1	13.25000	22.50000	-3.50000	-0.11576	-3.7250	-243.81E-6
-0.34150 6.2429E-6						
1 Displacement Grid 1	14.25000	22.50000	-3.50000	-0.20110	-3.7250	-446.44E-6
-0.47989 8.7650E-6						
1 Displacement Grid 1	15.25000	22.50000	-3.50000	-0.33252	-3.7250	-899.46E-6
-0.70715 12.898E-6						
1 Displacement Grid 1	16.25000	22.50000	-3.50000	-0.53659	-3.7250	-0.0020784
-1.1123 20.239E-6						
1 Displacement Grid 1	17.25000	22.50000	-3.50000	-0.86077	-3.7250	-0.0059643
-1.9289 34.923E-6						
1 Displacement Grid 1	18.25000	22.50000	-3.50000	-1.40910	-3.7250	-0.025618

-3.9610	70.725E-6						
1 Displacement	Grid 1	19.25000	22.50000	-3.50000	-2.53418	-3.7250	-0.32149
-12.209	200.07E-6						
1 Displacement	Grid 1	20.25000	22.50000	-3.50000	-6.06251	-3.6800	-59.992
-132.87	-0.0019969						
1 Displacement	Grid 1	21.25000	22.50000	-3.50000	-7.84291	-3.6800	-62.957
-158.27	-0.0017502						
1 Displacement	Grid 1	22.25000	22.50000	-3.50000	-8.37715	-3.6800	-62.987
-160.97	-0.0017029						
1 Displacement	Grid 1	23.25000	22.50000	-3.50000	-8.47508	-3.6800	-62.989
-161.33	-0.0016966						
1 Displacement	Grid 1	24.25000	22.50000	-3.50000	-8.23626	-3.6800	-62.980
-160.25	-0.0017155						
1 Displacement	Grid 1	25.25000	22.50000	-3.50000	-7.56894	-3.6800	-62.934
-156.68	-0.0017778						
1 Displacement	Grid 1	26.25000	22.50000	-3.50000	-5.77945	-3.6800	-59.971
-131.30	-0.0020241						
1 Displacement	Grid 1	27.25000	22.50000	-3.50000	-2.32337	-3.7250	-0.30869
-11.225	182.98E-6						
1 Displacement	Grid 1	28.25000	22.50000	-3.50000	-1.28135	-3.7250	-0.022706
-3.5478	63.366E-6						
1 Displacement	Grid 1	29.25000	22.50000	-3.50000	-0.78194	-3.7250	-0.0051683
-1.7399	31.516E-6						
1 Displacement	Grid 1	30.25000	22.50000	-3.50000	-0.48679	-3.7250	-0.0018100
-1.0156	18.485E-6						
1 Displacement	Grid 1	31.25000	22.50000	-3.50000	-0.30062	-3.7250	-792.66E-6
-0.65280	11.909E-6						
1 Displacement	Grid 1	32.25000	22.50000	-3.50000	-0.18052	-3.7250	-398.26E-6
-0.44705	8.1664E-6						
1 Displacement	Grid 1	33.25000	22.50000	-3.50000	-0.10246	-3.7250	-219.87E-6
-0.32049	5.8594E-6						
1 Displacement	Grid 1	34.25000	22.50000	-3.50000	-0.05173	-3.7250	-130.12E-6
-0.23798	4.3533E-6						
1 Displacement	Grid 1	35.25000	22.50000	-3.50000	-0.01896	-3.7250	-81.259E-6
-0.18174	3.3259E-6						
1 Displacement	Grid 1	36.25000	22.50000	-3.50000	0.00192	-3.7250	-52.987E-6
-0.14202	2.5998E-6						
1 Displacement	Grid 1	37.25000	22.50000	-3.50000	0.01492	-3.7250	-35.803E-6
-0.11314	2.0716E-6						
1 Displacement	Grid 1	38.25000	22.50000	-3.50000	0.02270	-3.7250	-24.925E-6
-0.091627	1.6780E-6						
1 Displacement	Grid 1	39.25000	22.50000	-3.50000	0.02703	-3.7250	-17.801E-6
-0.075261	1.3785E-6						
1 Displacement	Grid 1	40.25000	22.50000	-3.50000	0.02910	-3.7250	-12.996E-6
-0.062586	1.1464E-6						
1 Displacement	Grid 1	41.25000	22.50000	-3.50000	0.02970	-3.7250	-9.6725E-6
-0.052614	963.87E-9						
1 Displacement	Grid 1	42.25000	22.50000	-3.50000	0.02936	-3.7250	-7.3222E-6
-0.044658	818.20E-9						
1 Displacement	Grid 1	43.25000	22.50000	-3.50000	0.02844	-3.7250	-5.6273E-6
-0.038234	700.54E-9						
1 Displacement	Grid 1	44.25000	22.50000	-3.50000	0.02717	-3.7250	-4.3836E-6
-0.032988	604.46E-9						
1 Displacement	Grid 1	45.25000	22.50000	-3.50000	0.02573	-3.7250	-3.4565E-6
-0.028662	525.21E-9						
1 Displacement	Grid 1	46.25000	22.50000	-3.50000	0.02421	-3.7250	-2.7556E-6
-0.025062	459.26E-9						
1 Displacement	Grid 1	0.25000	23.50000	-3.50000	0.02461	-3.7250	-2.9103E-6
-0.025902	474.65E-9						
1 Displacement	Grid 1	1.25000	23.50000	-3.50000	0.02612	-3.7250	-3.6612E-6
-0.029675	543.78E-9						
1 Displacement	Grid 1	2.25000	23.50000	-3.50000	0.02754	-3.7250	-4.6583E-6
-0.034223	627.07E-9						
1 Displacement	Grid 1	3.25000	23.50000	-3.50000	0.02874	-3.7250	-6.0018E-6
-0.039753	728.36E-9						
1 Displacement	Grid 1	4.25000	23.50000	-3.50000	0.02955	-3.7250	-7.8414E-6
-0.046549	852.82E-9						
1 Displacement	Grid 1	5.25000	23.50000	-3.50000	0.02970	-3.7250	-10.406E-6
-0.054995	1.0075E-6						
1 Displacement	Grid 1	6.25000	23.50000	-3.50000	0.02879	-3.7250	-14.054E-6
-0.065629	1.2022E-6						



1 Displacement Grid 1	7.25000	23.50000	-3.50000	0.02622	-3.7250	-19.365E-6
-0.079211 1.4508E-6						
1 Displacement Grid 1	8.25000	23.50000	-3.50000	0.02111	-3.7250	-27.301E-6
-0.096847 1.7735E-6						
1 Displacement Grid 1	9.25000	23.50000	-3.50000	0.01211	-3.7250	-39.525E-6
-0.12018 2.2004E-6						
1 Displacement Grid 1	10.25000	23.50000	-3.50000	-0.00279	-3.7250	-59.034E-6
-0.15174 2.7775E-6						
1 Displacement Grid 1	11.25000	23.50000	-3.50000	-0.02660	-3.7250	-91.505E-6
-0.19553 3.5779E-6						
1 Displacement Grid 1	12.25000	23.50000	-3.50000	-0.06393	-3.7250	-148.36E-6
-0.25817 4.7221E-6						
1 Displacement Grid 1	13.25000	23.50000	-3.50000	-0.12180	-3.7250	-254.32E-6
-0.35118 6.4195E-6						
1 Displacement Grid 1	14.25000	23.50000	-3.50000	-0.21110	-3.7250	-468.13E-6
-0.49582 9.0555E-6						
1 Displacement Grid 1	15.25000	23.50000	-3.50000	-0.34905	-3.7250	-947.15E-6
-0.73453 13.396E-6						
1 Displacement Grid 1	16.25000	23.50000	-3.50000	-0.56387	-3.7250	-0.0021904
-1.1614 21.131E-6						
1 Displacement Grid 1	17.25000	23.50000	-3.50000	-0.90558	-3.7250	-0.0062422
-2.0202 36.575E-6						
1 Displacement Grid 1	18.25000	23.50000	-3.50000	-1.48146	-3.7250	-0.026320
-4.1326 73.819E-6						
1 Displacement Grid 1	19.25000	23.50000	-3.50000	-2.64618	-3.7250	-0.32313
-12.518 205.62E-6						
1 Displacement Grid 1	20.25000	23.50000	-3.50000	-6.19412	-3.6800	-59.994
-133.26 -0.0019897						
1 Displacement Grid 1	21.25000	23.50000	-3.50000	-8.01427	-3.6800	-62.959
-158.80 -0.0017406						
1 Displacement Grid 1	22.25000	23.50000	-3.50000	-8.58096	-3.6800	-62.990
-161.62 -0.0016913						
1 Displacement Grid 1	23.25000	23.50000	-3.50000	-8.71079	-3.6800	-62.993
-162.12 -0.0016824						
1 Displacement Grid 1	24.25000	23.50000	-3.50000	-8.52191	-3.6800	-62.989
-161.41 -0.0016951						
1 Displacement Grid 1	25.25000	23.50000	-3.50000	-7.91127	-3.6800	-62.957
-158.42 -0.0017474						
1 Displacement Grid 1	26.25000	23.50000	-3.50000	-6.08080	-3.6800	-59.991
-132.87 -0.0019968						
1 Displacement Grid 1	27.25000	23.50000	-3.50000	-2.53284	-3.7250	-0.32081
-12.162 199.26E-6						
1 Displacement Grid 1	28.25000	23.50000	-3.50000	-1.39787	-3.7250	-0.025334
-3.9199 69.992E-6						
1 Displacement Grid 1	29.25000	23.50000	-3.50000	-0.84757	-3.7250	-0.0058479
-1.8986 34.376E-6						
1 Displacement Grid 1	30.25000	23.50000	-3.50000	-0.52457	-3.7250	-0.0020245
-1.0904 19.841E-6						
1 Displacement Grid 1	31.25000	23.50000	-3.50000	-0.32272	-3.7250	-871.69E-6
-0.69120 12.608E-6						
1 Displacement Grid 1	32.25000	23.50000	-3.50000	-0.19359	-3.7250	-431.03E-6
-0.46820 8.5518E-6						
1 Displacement Grid 1	33.25000	23.50000	-3.50000	-0.11025	-3.7250	-234.79E-6
-0.33285 6.0848E-6						
1 Displacement Grid 1	34.25000	23.50000	-3.50000	-0.05638	-3.7250	-137.45E-6
-0.24556 4.4918E-6						
1 Displacement Grid 1	35.25000	23.50000	-3.50000	-0.02173	-3.7250	-85.103E-6
-0.18659 3.4145E-6						
1 Displacement Grid 1	36.25000	23.50000	-3.50000	0.00029	-3.7250	-55.112E-6
-0.14523 2.6585E-6						
1 Displacement Grid 1	37.25000	23.50000	-3.50000	0.01398	-3.7250	-37.033E-6
-0.11534 2.1118E-6						
1 Displacement Grid 1	38.25000	23.50000	-3.50000	0.02218	-3.7250	-25.666E-6
-0.093168 1.7062E-6						
1 Displacement Grid 1	39.25000	23.50000	-3.50000	0.02677	-3.7250	-18.262E-6
-0.076367 1.3987E-6						
1 Displacement Grid 1	40.25000	23.50000	-3.50000	0.02899	-3.7250	-13.292E-6
-0.063397 1.1613E-6						
1 Displacement Grid 1	41.25000	23.50000	-3.50000	0.02968	-3.7250	-9.8676E-6
-0.053219 974.95E-9						
1 Displacement Grid 1	42.25000	23.50000	-3.50000	0.02939	-3.7250	-7.4539E-6

-0.045118	826.60E-9						
1 Displacement	Grid 1	43.25000	23.50000	-3.50000	0.02849	-3.7250	-5.7180E-6
-0.038587	707.01E-9						
1 Displacement	Grid 1	44.25000	23.50000	-3.50000	0.02725	-3.7250	-4.4473E-6
-0.033264	609.50E-9						
1 Displacement	Grid 1	45.25000	23.50000	-3.50000	0.02581	-3.7250	-3.5020E-6
-0.028879	529.19E-9						
1 Displacement	Grid 1	46.25000	23.50000	-3.50000	0.02429	-3.7250	-2.7887E-6
-0.025235	462.44E-9						
1 Displacement	Grid 1	0.25000	24.50000	-3.50000	0.02461	-3.7250	-2.9119E-6
-0.025913	474.86E-9						
1 Displacement	Grid 1	1.25000	24.50000	-3.50000	0.02613	-3.7250	-3.6633E-6
-0.029689	544.03E-9						
1 Displacement	Grid 1	2.25000	24.50000	-3.50000	0.02755	-3.7250	-4.6612E-6
-0.034240	627.38E-9						
1 Displacement	Grid 1	3.25000	24.50000	-3.50000	0.02875	-3.7250	-6.0057E-6
-0.039774	728.75E-9						
1 Displacement	Grid 1	4.25000	24.50000	-3.50000	0.02956	-3.7250	-7.8467E-6
-0.046575	853.30E-9						
1 Displacement	Grid 1	5.25000	24.50000	-3.50000	0.02971	-3.7250	-10.413E-6
-0.055029	1.0081E-6						
1 Displacement	Grid 1	6.25000	24.50000	-3.50000	0.02880	-3.7250	-14.065E-6
-0.065672	1.2029E-6						
1 Displacement	Grid 1	7.25000	24.50000	-3.50000	0.02623	-3.7250	-19.380E-6
-0.079267	1.4518E-6						
1 Displacement	Grid 1	8.25000	24.50000	-3.50000	0.02111	-3.7250	-27.323E-6
-0.096919	1.7748E-6						
1 Displacement	Grid 1	9.25000	24.50000	-3.50000	0.01210	-3.7250	-39.557E-6
-0.12028	2.2022E-6						
1 Displacement	Grid 1	10.25000	24.50000	-3.50000	-0.00281	-3.7250	-59.083E-6
-0.15187	2.7799E-6						
1 Displacement	Grid 1	11.25000	24.50000	-3.50000	-0.02665	-3.7250	-91.581E-6
-0.19570	3.5811E-6						
1 Displacement	Grid 1	12.25000	24.50000	-3.50000	-0.06403	-3.7250	-148.48E-6
-0.25842	4.7267E-6						
1 Displacement	Grid 1	13.25000	24.50000	-3.50000	-0.12197	-3.7250	-254.53E-6
-0.35154	6.4261E-6						
1 Displacement	Grid 1	14.25000	24.50000	-3.50000	-0.21139	-3.7250	-468.48E-6
-0.49635	9.0652E-6						
1 Displacement	Grid 1	15.25000	24.50000	-3.50000	-0.34954	-3.7250	-947.80E-6
-0.73533	13.411E-6						
1 Displacement	Grid 1	16.25000	24.50000	-3.50000	-0.56470	-3.7250	-0.0021916
-1.1627	21.154E-6						
1 Displacement	Grid 1	17.25000	24.50000	-3.50000	-0.90696	-3.7250	-0.0062446
-2.0222	36.613E-6						
1 Displacement	Grid 1	18.25000	24.50000	-3.50000	-1.48377	-3.7250	-0.026325
-4.1361	73.884E-6						
1 Displacement	Grid 1	19.25000	24.50000	-3.50000	-2.65010	-3.7250	-0.32314
-12.524	205.73E-6						
1 Displacement	Grid 1	20.25000	24.50000	-3.50000	-6.19903	-3.6800	-59.994
-133.27	-0.0019896						
1 Displacement	Grid 1	21.25000	24.50000	-3.50000	-8.02318	-3.6800	-62.959
-158.82	-0.0017403						
1 Displacement	Grid 1	22.25000	24.50000	-3.50000	-8.59721	-3.6800	-62.990
-161.66	-0.0016905						
1 Displacement	Grid 1	23.25000	24.50000	-3.50000	-8.73985	-3.6800	-62.993
-162.21	-0.0016807						
1 Displacement	Grid 1	24.25000	24.50000	-3.50000	-8.56983	-3.6800	-62.990
-161.59	-0.0016919						
1 Displacement	Grid 1	25.25000	24.50000	-3.50000	-7.97579	-3.6800	-62.958
-158.69	-0.0017426						
1 Displacement	Grid 1	26.25000	24.50000	-3.50000	-6.14425	-3.6800	-59.993
-133.13	-0.0019922						
1 Displacement	Grid 1	27.25000	24.50000	-3.50000	-2.58545	-3.7250	-0.32254
-12.372	202.98E-6						
1 Displacement	Grid 1	28.25000	24.50000	-3.50000	-1.43059	-3.7250	-0.025972
-4.0254	71.879E-6						
1 Displacement	Grid 1	29.25000	24.50000	-3.50000	-0.86664	-3.7250	-0.0060599
-1.9477	35.260E-6						
1 Displacement	Grid 1	30.25000	24.50000	-3.50000	-0.53555	-3.7250	-0.0020973
-1.1135	20.260E-6						

1 Displacement Grid 1	31.25000	24.50000	-3.50000	-0.32908	-3.7250	-898.69E-6
-0.70271 12.817E-6						
1 Displacement Grid 1	32.25000	24.50000	-3.50000	-0.19731	-3.7250	-441.95E-6
-0.47427 8.6622E-6						
1 Displacement Grid 1	33.25000	24.50000	-3.50000	-0.11244	-3.7250	-239.58E-6
-0.33623 6.1464E-6						
1 Displacement Grid 1	34.25000	24.50000	-3.50000	-0.05768	-3.7250	-139.71E-6
-0.24754 4.5280E-6						
1 Displacement Grid 1	35.25000	24.50000	-3.50000	-0.02251	-3.7250	-86.239E-6
-0.18780 3.4367E-6						
1 Displacement Grid 1	36.25000	24.50000	-3.50000	-0.00018	-3.7250	-55.715E-6
-0.14601 2.6727E-6						
1 Displacement Grid 1	37.25000	24.50000	-3.50000	0.01370	-3.7250	-37.369E-6
-0.11585 2.1211E-6						
1 Displacement Grid 1	38.25000	24.50000	-3.50000	0.02202	-3.7250	-25.861E-6
-0.093515 1.7125E-6						
1 Displacement Grid 1	39.25000	24.50000	-3.50000	0.02668	-3.7250	-18.380E-6
-0.076609 1.4031E-6						
1 Displacement Grid 1	40.25000	24.50000	-3.50000	0.02894	-3.7250	-13.365E-6
-0.063569 1.1645E-6						
1 Displacement Grid 1	41.25000	24.50000	-3.50000	0.02965	-3.7250	-9.9145E-6
-0.053345 977.25E-9						
1 Displacement Grid 1	42.25000	24.50000	-3.50000	0.02938	-3.7250	-7.4847E-6
-0.045211 828.31E-9						
1 Displacement Grid 1	43.25000	24.50000	-3.50000	0.02850	-3.7250	-5.7388E-6
-0.038658 708.30E-9						
1 Displacement Grid 1	44.25000	24.50000	-3.50000	0.02725	-3.7250	-4.4615E-6
-0.033317 610.49E-9						
1 Displacement Grid 1	45.25000	24.50000	-3.50000	0.02582	-3.7250	-3.5120E-6
-0.028921 529.95E-9						
1 Displacement Grid 1	46.25000	24.50000	-3.50000	0.02430	-3.7250	-2.7958E-6
-0.025268 463.03E-9						
1 Displacement Grid 1	0.25000	25.50000	-3.50000	0.02456	-3.7250	-2.8861E-6
-0.025778 472.38E-9						
1 Displacement Grid 1	1.25000	25.50000	-3.50000	0.02607	-3.7250	-3.6279E-6
-0.029520 540.93E-9						
1 Displacement Grid 1	2.25000	25.50000	-3.50000	0.02749	-3.7250	-4.6116E-6
-0.034025 623.45E-9						
1 Displacement Grid 1	3.25000	25.50000	-3.50000	0.02870	-3.7250	-5.9353E-6
-0.039499 723.71E-9						
1 Displacement Grid 1	4.25000	25.50000	-3.50000	0.02954	-3.7250	-7.7448E-6
-0.046218 846.76E-9						
1 Displacement Grid 1	5.25000	25.50000	-3.50000	0.02973	-3.7250	-10.263E-6
-0.054558 999.48E-9						
1 Displacement Grid 1	6.25000	25.50000	-3.50000	0.02888	-3.7250	-13.838E-6
-0.065043 1.1914E-6						
1 Displacement Grid 1	7.25000	25.50000	-3.50000	0.02643	-3.7250	-19.028E-6
-0.078411 1.4361E-6						
1 Displacement Grid 1	8.25000	25.50000	-3.50000	0.02151	-3.7250	-26.763E-6
-0.095733 1.7531E-6						
1 Displacement Grid 1	9.25000	25.50000	-3.50000	0.01281	-3.7250	-38.637E-6
-0.11860 2.1714E-6						
1 Displacement Grid 1	10.25000	25.50000	-3.50000	-0.00158	-3.7250	-57.515E-6
-0.14942 2.7352E-6						
1 Displacement Grid 1	11.25000	25.50000	-3.50000	-0.02458	-3.7250	-88.799E-6
-0.19205 3.5144E-6						
1 Displacement Grid 1	12.25000	25.50000	-3.50000	-0.06057	-3.7250	-143.31E-6
-0.25279 4.6239E-6						
1 Displacement Grid 1	13.25000	25.50000	-3.50000	-0.11625	-3.7250	-244.41E-6
-0.34256 6.2622E-6						
1 Displacement Grid 1	14.25000	25.50000	-3.50000	-0.20194	-3.7250	-447.47E-6
-0.48144 8.7933E-6						
1 Displacement Grid 1	15.25000	25.50000	-3.50000	-0.33394	-3.7250	-901.31E-6
-0.70950 12.941E-6						
1 Displacement Grid 1	16.25000	25.50000	-3.50000	-0.53895	-3.7250	-0.0020819
-1.1160 20.306E-6						
1 Displacement Grid 1	17.25000	25.50000	-3.50000	-0.86472	-3.7250	-0.0059713
-1.9349 35.033E-6						
1 Displacement Grid 1	18.25000	25.50000	-3.50000	-1.41571	-3.7250	-0.025633
-3.9712 70.912E-6						
1 Displacement Grid 1	19.25000	25.50000	-3.50000	-2.54537	-3.7250	-0.32152

-12.227	200.40E-6							
1 Displacement	Grid 1	20.25000	25.50000	-3.50000	-6.07649	-3.6800	-59.992	
-132.89	-0.0019964							
1 Displacement	Grid 1	21.25000	25.50000	-3.50000	-7.86851	-3.6800	-62.957	
-158.32	-0.0017492							
1 Displacement	Grid 1	22.25000	25.50000	-3.50000	-8.42500	-3.6800	-62.988	
-161.10	-0.0017005							
1 Displacement	Grid 1	23.25000	25.50000	-3.50000	-8.56679	-3.6800	-62.991	
-161.65	-0.0016908							
1 Displacement	Grid 1	24.25000	25.50000	-3.50000	-8.41139	-3.6800	-62.988	
-161.07	-0.0017011							
1 Displacement	Grid 1	25.25000	25.50000	-3.50000	-7.84465	-3.6800	-62.957	
-158.27	-0.0017502							
1 Displacement	Grid 1	26.25000	25.50000	-3.50000	-6.04785	-3.6800	-59.992	
-132.83	-0.0019975							
1 Displacement	Grid 1	27.25000	25.50000	-3.50000	-2.50736	-3.7250	-0.32132	
-12.154	199.07E-6							
1 Displacement	Grid 1	28.25000	25.50000	-3.50000	-1.38220	-3.7250	-0.025493	
-3.9110	69.817E-6							
1 Displacement	Grid 1	29.25000	25.50000	-3.50000	-0.83760	-3.7250	-0.0058837	
-1.8894	34.203E-6							
1 Displacement	Grid 1	30.25000	25.50000	-3.50000	-0.51825	-3.7250	-0.0020298	
-1.0829	19.703E-6							
1 Displacement	Grid 1	31.25000	25.50000	-3.50000	-0.31876	-3.7250	-870.76E-6	
-0.68575	12.508E-6							
1 Displacement	Grid 1	32.25000	25.50000	-3.50000	-0.19113	-3.7250	-429.39E-6	
-0.46438	8.4819E-6							
1 Displacement	Grid 1	33.25000	25.50000	-3.50000	-0.10874	-3.7250	-233.49E-6	
-0.33018	6.0361E-6							
1 Displacement	Grid 1	34.25000	25.50000	-3.50000	-0.05547	-3.7250	-136.56E-6	
-0.24369	4.4575E-6							
1 Displacement	Grid 1	35.25000	25.50000	-3.50000	-0.02121	-3.7250	-84.510E-6	
-0.18526	3.3901E-6							
1 Displacement	Grid 1	36.25000	25.50000	-3.50000	0.00057	-3.7250	-54.722E-6	
-0.14427	2.6409E-6							
1 Displacement	Grid 1	37.25000	25.50000	-3.50000	0.01412	-3.7250	-36.774E-6	
-0.11463	2.0989E-6							
1 Displacement	Grid 1	38.25000	25.50000	-3.50000	0.02224	-3.7250	-25.492E-6	
-0.092643	1.6966E-6							
1 Displacement	Grid 1	39.25000	25.50000	-3.50000	0.02677	-3.7250	-18.144E-6	
-0.075971	1.3915E-6							
1 Displacement	Grid 1	40.25000	25.50000	-3.50000	0.02896	-3.7250	-13.210E-6	
-0.063094	1.1557E-6							
1 Displacement	Grid 1	41.25000	25.50000	-3.50000	0.02963	-3.7250	-9.8101E-6	
-0.052984	970.65E-9							
1 Displacement	Grid 1	42.25000	25.50000	-3.50000	0.02934	-3.7250	-7.4129E-6	
-0.044934	823.24E-9							
1 Displacement	Grid 1	43.25000	25.50000	-3.50000	0.02844	-3.7250	-5.6884E-6	
-0.038442	704.34E-9							
1 Displacement	Grid 1	44.25000	25.50000	-3.50000	0.02719	-3.7250	-4.4256E-6	
-0.033147	607.37E-9							
1 Displacement	Grid 1	45.25000	25.50000	-3.50000	0.02576	-3.7250	-3.4859E-6	
-0.028785	527.47E-9							
1 Displacement	Grid 1	46.25000	25.50000	-3.50000	0.02424	-3.7250	-2.7766E-6	
-0.025159	461.04E-9							
1 Displacement	Grid 1	0.25000	26.50000	-3.50000	0.02443	-3.7250	-2.8339E-6	
-0.025500	467.29E-9							
1 Displacement	Grid 1	1.25000	26.50000	-3.50000	0.02594	-3.7250	-3.5562E-6	
-0.029172	534.56E-9							
1 Displacement	Grid 1	2.25000	26.50000	-3.50000	0.02737	-3.7250	-4.5119E-6	
-0.033585	615.40E-9							
1 Displacement	Grid 1	3.25000	26.50000	-3.50000	0.02860	-3.7250	-5.7941E-6	
-0.038937	713.42E-9							
1 Displacement	Grid 1	4.25000	26.50000	-3.50000	0.02947	-3.7250	-7.5413E-6	
-0.045491	833.45E-9							
1 Displacement	Grid 1	5.25000	26.50000	-3.50000	0.02974	-3.7250	-9.9637E-6	
-0.053605	982.02E-9							
1 Displacement	Grid 1	6.25000	26.50000	-3.50000	0.02903	-3.7250	-13.388E-6	
-0.063773	1.1682E-6							
1 Displacement	Grid 1	7.25000	26.50000	-3.50000	0.02681	-3.7250	-18.336E-6	
-0.076691	1.4046E-6							

1 Displacement Grid 1	8.25000	26.50000	-3.50000	0.02225	-3.7250	-25.666E-6
-0.093358 1.7097E-6						
1 Displacement Grid 1	9.25000	26.50000	-3.50000	0.01417	-3.7250	-36.845E-6
-0.11525 2.1101E-6						
1 Displacement Grid 1	10.25000	26.50000	-3.50000	0.00078	-3.7250	-54.480E-6
-0.14459 2.6467E-6						
1 Displacement Grid 1	11.25000	26.50000	-3.50000	-0.02059	-3.7250	-83.443E-6
-0.18487 3.3832E-6						
1 Displacement Grid 1	12.25000	26.50000	-3.50000	-0.05393	-3.7250	-133.40E-6
-0.24179 4.4230E-6						
1 Displacement Grid 1	13.25000	26.50000	-3.50000	-0.10526	-3.7250	-225.01E-6
-0.32509 5.9434E-6						
1 Displacement Grid 1	14.25000	26.50000	-3.50000	-0.18378	-3.7250	-406.91E-6
-0.45252 8.2661E-6						
1 Displacement Grid 1	15.25000	26.50000	-3.50000	-0.30387	-3.7250	-809.34E-6
-0.65921 12.026E-6						
1 Displacement Grid 1	16.25000	26.50000	-3.50000	-0.48894	-3.7250	-0.0018514
-1.0234 18.625E-6						
1 Displacement Grid 1	17.25000	26.50000	-3.50000	-0.78095	-3.7250	-0.0053156
-1.7525 31.737E-6						
1 Displacement Grid 1	18.25000	26.50000	-3.50000	-1.27443	-3.7250	-0.023475
-3.5856 64.001E-6						
1 Displacement Grid 1	19.25000	26.50000	-3.50000	-2.30889	-3.7250	-0.31384
-11.384 185.52E-6						
1 Displacement Grid 1	20.25000	26.50000	-3.50000	-5.76092	-3.6800	-59.981
-131.61 -0.0020192						
1 Displacement Grid 1	21.25000	26.50000	-3.50000	-7.45251	-3.6800	-62.941
-156.54 -0.0017808						
1 Displacement Grid 1	22.25000	26.50000	-3.50000	-7.95603	-3.6800	-62.971
-159.10 -0.0017361						
1 Displacement Grid 1	23.25000	26.50000	-3.50000	-8.08437	-3.6800	-62.974
-159.59 -0.0017273						
1 Displacement Grid 1	24.25000	26.50000	-3.50000	-7.94896	-3.6800	-62.971
-159.08 -0.0017364						
1 Displacement Grid 1	25.25000	26.50000	-3.50000	-7.43993	-3.6800	-62.941
-156.51 -0.0017813						
1 Displacement Grid 1	26.25000	26.50000	-3.50000	-5.74538	-3.6800	-59.981
-131.57 -0.0020198						
1 Displacement Grid 1	27.25000	26.50000	-3.50000	-2.28616	-3.7250	-0.31376
-11.346 184.82E-6						
1 Displacement Grid 1	28.25000	26.50000	-3.50000	-1.25340	-3.7250	-0.023414
-3.5512 63.375E-6						
1 Displacement Grid 1	29.25000	26.50000	-3.50000	-0.76308	-3.7250	-0.0052726
-1.7242 31.221E-6						
1 Displacement Grid 1	30.25000	26.50000	-3.50000	-0.47467	-3.7250	-0.0018226
-1.0012 18.220E-6						
1 Displacement Grid 1	31.25000	26.50000	-3.50000	-0.29300	-3.7250	-790.70E-6
-0.64220 11.715E-6						
1 Displacement Grid 1	32.25000	26.50000	-3.50000	-0.17579	-3.7250	-394.93E-6
-0.43962 8.0305E-6						
1 Displacement Grid 1	33.25000	26.50000	-3.50000	-0.09957	-3.7250	-217.29E-6
-0.31531 5.7647E-6						
1 Displacement Grid 1	34.25000	26.50000	-3.50000	-0.05000	-3.7250	-128.36E-6
-0.23434 4.2868E-6						
1 Displacement Grid 1	35.25000	26.50000	-3.50000	-0.01796	-3.7250	-80.103E-6
-0.17915 3.2785E-6						
1 Displacement Grid 1	36.25000	26.50000	-3.50000	0.00247	-3.7250	-52.228E-6
-0.14015 2.5655E-6						
1 Displacement Grid 1	37.25000	26.50000	-3.50000	0.01519	-3.7250	-35.300E-6
-0.11177 2.0464E-6						
1 Displacement Grid 1	38.25000	26.50000	-3.50000	0.02280	-3.7250	-24.588E-6
-0.090601 1.6592E-6						
1 Displacement Grid 1	39.25000	26.50000	-3.50000	0.02704	-3.7250	-17.570E-6
-0.074485 1.3643E-6						
1 Displacement Grid 1	40.25000	26.50000	-3.50000	0.02904	-3.7250	-12.836E-6
-0.061991 1.1356E-6						
1 Displacement Grid 1	41.25000	26.50000	-3.50000	0.02961	-3.7250	-9.5601E-6
-0.052152 955.42E-9						
1 Displacement Grid 1	42.25000	26.50000	-3.50000	0.02926	-3.7250	-7.2420E-6
-0.044297 811.57E-9						
1 Displacement Grid 1	43.25000	26.50000	-3.50000	0.02833	-3.7250	-5.5692E-6

-0.037947	695.28E-9						
1 Displacement Grid 1		44.25000	26.50000	-3.50000	0.02707	-3.7250	-4.3409E-6
-0.032758	600.25E-9						
1 Displacement Grid 1		45.25000	26.50000	-3.50000	0.02563	-3.7250	-3.4248E-6
-0.028476	521.81E-9						
1 Displacement Grid 1		46.25000	26.50000	-3.50000	0.02412	-3.7250	-2.7319E-6
-0.024911	456.49E-9						
1 Displacement Grid 1		0.25000	27.50000	-3.50000	0.02424	-3.7250	-2.7572E-6
-0.025086	459.71E-9						
1 Displacement Grid 1		1.25000	27.50000	-3.50000	0.02575	-3.7250	-3.4513E-6
-0.028656	525.11E-9						
1 Displacement Grid 1		2.25000	27.50000	-3.50000	0.02718	-3.7250	-4.3663E-6
-0.032935	603.49E-9						
1 Displacement Grid 1		3.25000	27.50000	-3.50000	0.02844	-3.7250	-5.5889E-6
-0.038109	698.25E-9						
1 Displacement Grid 1		4.25000	27.50000	-3.50000	0.02937	-3.7250	-7.2469E-6
-0.044423	813.88E-9						
1 Displacement Grid 1		5.25000	27.50000	-3.50000	0.02974	-3.7250	-9.5331E-6
-0.052209	956.45E-9						
1 Displacement Grid 1		6.25000	27.50000	-3.50000	0.02922	-3.7250	-12.744E-6
-0.061921	1.1343E-6						
1 Displacement Grid 1		7.25000	27.50000	-3.50000	0.02730	-3.7250	-17.351E-6
-0.074194	1.3589E-6						
1 Displacement Grid 1		8.25000	27.50000	-3.50000	0.02327	-3.7250	-24.117E-6
-0.089931	1.6470E-6						
1 Displacement Grid 1		9.25000	27.50000	-3.50000	0.01604	-3.7250	-34.332E-6
-0.11044	2.0223E-6						
1 Displacement Grid 1		10.25000	27.50000	-3.50000	0.00403	-3.7250	-50.258E-6
-0.13770	2.5208E-6						
1 Displacement Grid 1		11.25000	27.50000	-3.50000	-0.01509	-3.7250	-76.053E-6
-0.17473	3.1977E-6						
1 Displacement Grid 1		12.25000	27.50000	-3.50000	-0.04478	-3.7250	-119.82E-6
-0.22639	4.1415E-6						
1 Displacement Grid 1		13.25000	27.50000	-3.50000	-0.09016	-3.7250	-198.54E-6
-0.30082	5.5003E-6						
1 Displacement Grid 1		14.25000	27.50000	-3.50000	-0.15889	-3.7250	-351.29E-6
-0.41255	7.5374E-6						
1 Displacement Grid 1		15.25000	27.50000	-3.50000	-0.26268	-3.7250	-680.37E-6
-0.58965	10.760E-6						
1 Displacement Grid 1		16.25000	27.50000	-3.50000	-0.42004	-3.7250	-0.0015070
-0.89296	16.260E-6						
1 Displacement Grid 1		17.25000	27.50000	-3.50000	-0.66309	-3.7250	-0.0041715
-1.4800	26.825E-6						
1 Displacement Grid 1		18.25000	27.50000	-3.50000	-1.06241	-3.7250	-0.017937
-2.9049	51.932E-6						
1 Displacement Grid 1		19.25000	27.50000	-3.50000	-1.87958	-3.7250	-0.25931
-9.0379	146.53E-6						
1 Displacement Grid 1		20.25000	27.50000	-3.50000	-4.91002	-3.6800	-59.598
-123.78	-0.0021344						
1 Displacement Grid 1		21.25000	27.50000	-3.50000	-6.27237	-3.6800	-62.434
-145.53	-0.0019451						
1 Displacement Grid 1		22.25000	27.50000	-3.50000	-6.66520	-3.6800	-62.457
-147.49	-0.0019109						
1 Displacement Grid 1		23.25000	27.50000	-3.50000	-6.76712	-3.6800	-62.459
-147.87	-0.0019041						
1 Displacement Grid 1		24.25000	27.50000	-3.50000	-6.66142	-3.6800	-62.456
-147.48	-0.0019110						
1 Displacement Grid 1		25.25000	27.50000	-3.50000	-6.26557	-3.6800	-62.434
-145.52	-0.0019453						
1 Displacement Grid 1		26.25000	27.50000	-3.50000	-4.90143	-3.6800	-59.598
-123.76	-0.0021347						
1 Displacement Grid 1		27.25000	27.50000	-3.50000	-1.86585	-3.7250	-0.25928
-9.0163	146.14E-6						
1 Displacement Grid 1		28.25000	27.50000	-3.50000	-1.04924	-3.7250	-0.017909
-2.8845	51.559E-6						
1 Displacement Grid 1		29.25000	27.50000	-3.50000	-0.65148	-3.7250	-0.0041494
-1.4620	26.498E-6						
1 Displacement Grid 1		30.25000	27.50000	-3.50000	-0.41042	-3.7250	-0.0014909
-0.87799	15.986E-6						
1 Displacement Grid 1		31.25000	27.50000	-3.50000	-0.25511	-3.7250	-669.02E-6
-0.57753	10.539E-6						

1 Displacement Grid 1	32.25000	27.50000	-3.50000	-0.15318	-3.7250	-343.46E-6
-0.40291 7.3613E-6						
1 Displacement Grid 1	33.25000	27.50000	-3.50000	-0.08600	-3.7250	-193.17E-6
-0.29321 5.3612E-6						
1 Displacement Grid 1	34.25000	27.50000	-3.50000	-0.04186	-3.7250	-116.14E-6
-0.22039 4.0318E-6						
1 Displacement Grid 1	35.25000	27.50000	-3.50000	-0.01312	-3.7250	-73.509E-6
-0.16999 3.1110E-6						
1 Displacement Grid 1	36.25000	27.50000	-3.50000	0.00530	-3.7250	-48.482E-6
-0.13393 2.4519E-6						
1 Displacement Grid 1	37.25000	27.50000	-3.50000	0.01679	-3.7250	-33.078E-6
-0.10743 1.9672E-6						
1 Displacement Grid 1	38.25000	27.50000	-3.50000	0.02365	-3.7250	-23.220E-6
-0.087506 1.6026E-6						
1 Displacement Grid 1	39.25000	27.50000	-3.50000	0.02743	-3.7250	-16.701E-6
-0.072227 1.3229E-6						
1 Displacement Grid 1	40.25000	27.50000	-3.50000	0.02917	-3.7250	-12.268E-6
-0.060312 1.1048E-6						
1 Displacement Grid 1	41.25000	27.50000	-3.50000	0.02957	-3.7250	-9.1792E-6
-0.050883 932.19E-9						
1 Displacement Grid 1	42.25000	27.50000	-3.50000	0.02913	-3.7250	-6.9810E-6
-0.043323 793.75E-9						
1 Displacement Grid 1	43.25000	27.50000	-3.50000	0.02816	-3.7250	-5.3869E-6
-0.037191 681.43E-9						
1 Displacement Grid 1	44.25000	27.50000	-3.50000	0.02688	-3.7250	-4.2113E-6
-0.032163 589.35E-9						
1 Displacement Grid 1	45.25000	27.50000	-3.50000	0.02544	-3.7250	-3.3312E-6
-0.028003 513.14E-9						
1 Displacement Grid 1	46.25000	27.50000	-3.50000	0.02393	-3.7250	-2.6632E-6
-0.024530 449.53E-9						
1 Displacement Grid 1	0.25000	28.50000	-3.50000	0.02398	-3.7250	-2.6589E-6
-0.024548 449.86E-9						
1 Displacement Grid 1	1.25000	28.50000	-3.50000	0.02548	-3.7250	-3.3173E-6
-0.027987 512.85E-9						
1 Displacement Grid 1	2.25000	28.50000	-3.50000	0.02692	-3.7250	-4.1812E-6
-0.032095 588.09E-9						
1 Displacement Grid 1	3.25000	28.50000	-3.50000	0.02821	-3.7250	-5.3292E-6
-0.037042 678.70E-9						
1 Displacement Grid 1	4.25000	28.50000	-3.50000	0.02920	-3.7250	-6.8764E-6
-0.043052 788.78E-9						
1 Displacement Grid 1	5.25000	28.50000	-3.50000	0.02970	-3.7250	-8.9947E-6
-0.050426 923.81E-9						
1 Displacement Grid 1	6.25000	28.50000	-3.50000	0.02940	-3.7250	-11.946E-6
-0.059570 1.0912E-6						
1 Displacement Grid 1	7.25000	28.50000	-3.50000	0.02787	-3.7250	-16.138E-6
-0.071045 1.3013E-6						
1 Displacement Grid 1	8.25000	28.50000	-3.50000	0.02446	-3.7250	-22.227E-6
-0.085639 1.5684E-6						
1 Displacement Grid 1	9.25000	28.50000	-3.50000	0.01825	-3.7250	-31.299E-6
-0.10448 1.9132E-6						
1 Displacement Grid 1	10.25000	28.50000	-3.50000	0.00788	-3.7250	-45.220E-6
-0.12923 2.3658E-6						
1 Displacement Grid 1	11.25000	28.50000	-3.50000	-0.00859	-3.7250	-67.345E-6
-0.16238 2.9721E-6						
1 Displacement Grid 1	12.25000	28.50000	-3.50000	-0.03402	-3.7250	-104.02E-6
-0.20786 3.8031E-6						
1 Displacement Grid 1	13.25000	28.50000	-3.50000	-0.07249	-3.7250	-168.12E-6
-0.27201 4.9745E-6						
1 Displacement Grid 1	14.25000	28.50000	-3.50000	-0.12996	-3.7250	-288.00E-6
-0.36576 6.6843E-6						
1 Displacement Grid 1	15.25000	28.50000	-3.50000	-0.21512	-3.7250	-533.72E-6
-0.50914 9.2949E-6						
1 Displacement Grid 1	16.25000	28.50000	-3.50000	-0.34089	-3.7250	-0.0011082
-0.74273 13.535E-6						
1 Displacement Grid 1	17.25000	28.50000	-3.50000	-0.52746	-3.7250	-0.0027547
-1.1608 21.078E-6						
1 Displacement Grid 1	18.25000	28.50000	-3.50000	-0.81131	-3.7250	-0.0094764
-2.0367 36.639E-6						
1 Displacement Grid 1	19.25000	28.50000	-3.50000	-1.28042	-3.7250	-0.065500
-4.5154 77.943E-6						
1 Displacement Grid 1	20.25000	28.50000	-3.50000	-2.06133	-3.7250	-0.71373

-12.775	181.47E-6							
1 Displacement	Grid 1	21.25000	28.50000	-3.50000	-2.65505	-3.7250	-0.95254	
-17.613	252.53E-6							
1 Displacement	Grid 1	22.25000	28.50000	-3.50000	-2.92940	-3.7250	-0.96930	
-18.861	274.17E-6							
1 Displacement	Grid 1	23.25000	28.50000	-3.50000	-3.01003	-3.7250	-0.97150	
-19.151	279.32E-6							
1 Displacement	Grid 1	24.25000	28.50000	-3.50000	-2.92625	-3.7250	-0.96929	
-18.857	274.08E-6							
1 Displacement	Grid 1	25.25000	28.50000	-3.50000	-2.64926	-3.7250	-0.95252	
-17.605	252.37E-6							
1 Displacement	Grid 1	26.25000	28.50000	-3.50000	-2.05377	-3.7250	-0.71372	
-12.763	181.26E-6							
1 Displacement	Grid 1	27.25000	28.50000	-3.50000	-1.27209	-3.7250	-0.065484	
-4.5027	77.710E-6							
1 Displacement	Grid 1	28.25000	28.50000	-3.50000	-0.80309	-3.7250	-0.0094623	
-2.0241	36.409E-6							
1 Displacement	Grid 1	29.25000	28.50000	-3.50000	-0.51999	-3.7250	-0.0027429	
-1.1492	20.865E-6							
1 Displacement	Grid 1	30.25000	28.50000	-3.50000	-0.33453	-3.7250	-0.0010989	
-0.73251	13.348E-6							
1 Displacement	Grid 1	31.25000	28.50000	-3.50000	-0.20998	-3.7250	-526.76E-6	
-0.50049	9.1367E-6							
1 Displacement	Grid 1	32.25000	28.50000	-3.50000	-0.12599	-3.7250	-282.89E-6	
-0.35858	6.5531E-6							
1 Displacement	Grid 1	33.25000	28.50000	-3.50000	-0.06955	-3.7250	-164.43E-6	
-0.26614	4.8670E-6							
1 Displacement	Grid 1	34.25000	28.50000	-3.50000	-0.03193	-3.7250	-101.37E-6	
-0.20308	3.7156E-6							
1 Displacement	Grid 1	35.25000	28.50000	-3.50000	-0.00718	-3.7250	-65.439E-6	
-0.15850	2.9010E-6							
1 Displacement	Grid 1	36.25000	28.50000	-3.50000	0.00878	-3.7250	-43.844E-6	
-0.12607	2.3081E-6							
1 Displacement	Grid 1	37.25000	28.50000	-3.50000	0.01876	-3.7250	-30.298E-6	
-0.10191	1.8661E-6							
1 Displacement	Grid 1	38.25000	28.50000	-3.50000	0.02469	-3.7250	-21.493E-6	
-0.083531	1.5298E-6							
1 Displacement	Grid 1	39.25000	28.50000	-3.50000	0.02790	-3.7250	-15.595E-6	
-0.069310	1.2695E-6							
1 Displacement	Grid 1	40.25000	28.50000	-3.50000	0.02930	-3.7250	-11.540E-6	
-0.058133	1.0649E-6							
1 Displacement	Grid 1	41.25000	28.50000	-3.50000	0.02951	-3.7250	-8.6887E-6	
-0.049230	901.90E-9							
1 Displacement	Grid 1	42.25000	28.50000	-3.50000	0.02895	-3.7250	-6.6435E-6	
-0.042050	770.43E-9							
1 Displacement	Grid 1	43.25000	28.50000	-3.50000	0.02793	-3.7250	-5.1501E-6	
-0.036198	663.25E-9							
1 Displacement	Grid 1	44.25000	28.50000	-3.50000	0.02662	-3.7250	-4.0423E-6	
-0.031380	575.00E-9							
1 Displacement	Grid 1	45.25000	28.50000	-3.50000	0.02518	-3.7250	-3.2087E-6	
-0.027378	501.70E-9							
1 Displacement	Grid 1	46.25000	28.50000	-3.50000	0.02368	-3.7250	-2.5732E-6	
-0.024028	440.31E-9							
1 Displacement	Grid 1	0.25000	29.50000	-3.50000	0.02366	-3.7250	-2.5422E-6	
-0.023900	437.97E-9							
1 Displacement	Grid 1	1.25000	29.50000	-3.50000	0.02515	-3.7250	-3.1592E-6	
-0.027183	498.12E-9							
1 Displacement	Grid 1	2.25000	29.50000	-3.50000	0.02660	-3.7250	-3.9639E-6	
-0.031088	569.66E-9							
1 Displacement	Grid 1	3.25000	29.50000	-3.50000	0.02791	-3.7250	-5.0263E-6	
-0.035770	655.41E-9							
1 Displacement	Grid 1	4.25000	29.50000	-3.50000	0.02898	-3.7250	-6.4473E-6	
-0.041427	759.02E-9							
1 Displacement	Grid 1	5.25000	29.50000	-3.50000	0.02961	-3.7250	-8.3759E-6	
-0.048325	885.34E-9							
1 Displacement	Grid 1	6.25000	29.50000	-3.50000	0.02956	-3.7250	-11.036E-6	
-0.056818	1.0408E-6							
1 Displacement	Grid 1	7.25000	29.50000	-3.50000	0.02843	-3.7250	-14.771E-6	
-0.067387	1.2343E-6							
1 Displacement	Grid 1	8.25000	29.50000	-3.50000	0.02571	-3.7250	-20.121E-6	
-0.080697	1.4780E-6							



1 Displacement Grid 1	9.25000	29.50000	-3.50000	0.02059	-3.7250	-27.965E-6
-0.097684 1.7888E-6						
1 Displacement Grid 1	10.25000	29.50000	-3.50000	0.01199	-3.7250	-39.771E-6
-0.11969 2.1914E-6						
1 Displacement Grid 1	11.25000	29.50000	-3.50000	-0.00168	-3.7250	-58.092E-6
-0.14868 2.7215E-6						
1 Displacement Grid 1	12.25000	29.50000	-3.50000	-0.02262	-3.7250	-87.585E-6
-0.18763 3.4334E-6						
1 Displacement Grid 1	13.25000	29.50000	-3.50000	-0.05393	-3.7250	-137.22E-6
-0.24117 4.4113E-6						
1 Displacement Grid 1	14.25000	29.50000	-3.50000	-0.09992	-3.7250	-225.50E-6
-0.31681 5.7914E-6						
1 Displacement Grid 1	15.25000	29.50000	-3.50000	-0.16646	-3.7250	-394.07E-6
-0.42730 7.8047E-6						
1 Displacement Grid 1	16.25000	29.50000	-3.50000	-0.26145	-3.7250	-747.47E-6
-0.59563 10.865E-6						
1 Displacement Grid 1	17.25000	29.50000	-3.50000	-0.39522	-3.7250	-0.0015860
-0.86597 15.759E-6						
1 Displacement Grid 1	18.25000	29.50000	-3.50000	-0.58032	-3.7250	-0.0039029
-1.3268 24.037E-6						
1 Displacement Grid 1	19.25000	29.50000	-3.50000	-0.82705	-3.7250	-0.010925
-2.1320 38.279E-6						
1 Displacement Grid 1	20.25000	29.50000	-3.50000	-1.11492	-3.7250	-0.025689
-3.2907 58.431E-6						
1 Displacement Grid 1	21.25000	29.50000	-3.50000	-1.36268	-3.7250	-0.036836
-4.2624 75.421E-6						
1 Displacement Grid 1	22.25000	29.50000	-3.50000	-1.51395	-3.7250	-0.040661
-4.7641 84.337E-6						
1 Displacement Grid 1	23.25000	29.50000	-3.50000	-1.56307	-3.7250	-0.041499
-4.9099 86.949E-6						
1 Displacement Grid 1	24.25000	29.50000	-3.50000	-1.51210	-3.7250	-0.040658
-4.7613 84.286E-6						
1 Displacement Grid 1	25.25000	29.50000	-3.50000	-1.35927	-3.7250	-0.036830
-4.2572 75.326E-6						
1 Displacement Grid 1	26.25000	29.50000	-3.50000	-1.11040	-3.7250	-0.025682
-3.2837 58.304E-6						
1 Displacement Grid 1	27.25000	29.50000	-3.50000	-0.82197	-3.7250	-0.010917
-2.1241 38.136E-6						
1 Displacement Grid 1	28.25000	29.50000	-3.50000	-0.57521	-3.7250	-0.0038955
-1.3188 23.889E-6						
1 Displacement Grid 1	29.25000	29.50000	-3.50000	-0.39047	-3.7250	-0.0015795
-0.85822 15.617E-6						
1 Displacement Grid 1	30.25000	29.50000	-3.50000	-0.25732	-3.7250	-742.02E-6
-0.58857 10.736E-6						
1 Displacement Grid 1	31.25000	29.50000	-3.50000	-0.16305	-3.7250	-389.74E-6
-0.42108 7.6909E-6						
1 Displacement Grid 1	32.25000	29.50000	-3.50000	-0.09724	-3.7250	-222.16E-6
-0.31146 5.6937E-6						
1 Displacement Grid 1	33.25000	29.50000	-3.50000	-0.05192	-3.7250	-134.69E-6
-0.23665 4.3286E-6						
1 Displacement Grid 1	34.25000	29.50000	-3.50000	-0.02118	-3.7250	-85.689E-6
-0.18384 3.3641E-6						
1 Displacement Grid 1	35.25000	29.50000	-3.50000	-0.00071	-3.7250	-56.678E-6
-0.14553 2.6638E-6						
1 Displacement Grid 1	36.25000	29.50000	-3.50000	0.01258	-3.7250	-38.716E-6
-0.11707 2.1434E-6						
1 Displacement Grid 1	37.25000	29.50000	-3.50000	0.02090	-3.7250	-27.177E-6
-0.095505 1.7489E-6						
1 Displacement Grid 1	38.25000	29.50000	-3.50000	0.02581	-3.7250	-19.529E-6
-0.078882 1.4447E-6						
1 Displacement Grid 1	39.25000	29.50000	-3.50000	0.02839	-3.7250	-14.323E-6
-0.065870 1.2066E-6						
1 Displacement Grid 1	40.25000	29.50000	-3.50000	0.02940	-3.7250	-10.695E-6
-0.055546 1.0176E-6						
1 Displacement Grid 1	41.25000	29.50000	-3.50000	0.02939	-3.7250	-8.1146E-6
-0.047254 865.73E-9						
1 Displacement Grid 1	42.25000	29.50000	-3.50000	0.02871	-3.7250	-6.2455E-6
-0.040522 742.44E-9						
1 Displacement Grid 1	43.25000	29.50000	-3.50000	0.02762	-3.7250	-4.8692E-6
-0.035001 641.32E-9						
1 Displacement Grid 1	44.25000	29.50000	-3.50000	0.02630	-3.7250	-3.8408E-6

-0.030432	557.63E-9						
1 Displacement Grid 1	45.25000	29.50000	-3.50000	0.02486	-3.7250	-3.0619E-6	
-0.026620	487.80E-9						
1 Displacement Grid 1	46.25000	29.50000	-3.50000	0.02337	-3.7250	-2.4648E-6	
-0.023415	429.09E-9						
1 Displacement Grid 1	0.25000	30.50000	-3.50000	0.02328	-3.7250	-2.4110E-6	
-0.023156	424.34E-9						
1 Displacement Grid 1	1.25000	30.50000	-3.50000	0.02476	-3.7250	-2.9824E-6	
-0.026264	481.29E-9						
1 Displacement Grid 1	2.25000	30.50000	-3.50000	0.02620	-3.7250	-3.7226E-6	
-0.029944	548.71E-9						
1 Displacement Grid 1	3.25000	30.50000	-3.50000	0.02754	-3.7250	-4.6922E-6	
-0.034332	629.07E-9						
1 Displacement Grid 1	4.25000	30.50000	-3.50000	0.02867	-3.7250	-5.9780E-6	
-0.039601	725.57E-9						
1 Displacement Grid 1	5.25000	30.50000	-3.50000	0.02944	-3.7250	-7.7055E-6	
-0.045980	842.39E-9						
1 Displacement Grid 1	6.25000	30.50000	-3.50000	0.02964	-3.7250	-10.061E-6	
-0.053769	985.02E-9						
1 Displacement Grid 1	7.25000	30.50000	-3.50000	0.02893	-3.7250	-13.323E-6	
-0.063371	1.1608E-6						
1 Displacement Grid 1	8.25000	30.50000	-3.50000	0.02689	-3.7250	-17.924E-6	
-0.075329	1.3797E-6						
1 Displacement Grid 1	9.25000	30.50000	-3.50000	0.02288	-3.7250	-24.544E-6	
-0.090391	1.6554E-6						
1 Displacement Grid 1	10.25000	30.50000	-3.50000	0.01603	-3.7250	-34.284E-6	
-0.10960	2.0068E-6						
1 Displacement Grid 1	11.25000	30.50000	-3.50000	0.00513	-3.7250	-48.990E-6	
-0.13443	2.4609E-6						
1 Displacement Grid 1	12.25000	30.50000	-3.50000	-0.01147	-3.7250	-71.864E-6	
-0.16702	3.0567E-6						
1 Displacement Grid 1	13.25000	30.50000	-3.50000	-0.03598	-3.7250	-108.69E-6	
-0.21052	3.8516E-6						
1 Displacement Grid 1	14.25000	30.50000	-3.50000	-0.07131	-3.7250	-170.44E-6	
-0.26970	4.9319E-6						
1 Displacement Grid 1	15.25000	30.50000	-3.50000	-0.12111	-3.7250	-279.01E-6	
-0.35185	6.4299E-6						
1 Displacement Grid 1	16.25000	30.50000	-3.50000	-0.18969	-3.7250	-480.29E-6	
-0.46831	8.5501E-6						
1 Displacement Grid 1	17.25000	30.50000	-3.50000	-0.28139	-3.7250	-873.26E-6	
-0.63619	11.599E-6						
1 Displacement Grid 1	18.25000	30.50000	-3.50000	-0.39892	-3.7250	-0.0016587	
-0.87791	15.972E-6						
1 Displacement Grid 1	19.25000	30.50000	-3.50000	-0.53911	-3.7250	-0.0031127	
-1.2074	21.905E-6						
1 Displacement Grid 1	20.25000	30.50000	-3.50000	-0.68650	-3.7250	-0.0051386	
-1.5887	28.747E-6						
1 Displacement Grid 1	21.25000	30.50000	-3.50000	-0.81393	-3.7250	-0.0068975	
-1.9228	34.741E-6						
1 Displacement Grid 1	22.25000	30.50000	-3.50000	-0.89758	-3.7250	-0.0078584	
-2.1322	38.510E-6						
1 Displacement Grid 1	23.25000	30.50000	-3.50000	-0.92604	-3.7250	-0.0081395	
-2.2008	39.746E-6						
1 Displacement Grid 1	24.25000	30.50000	-3.50000	-0.89650	-3.7250	-0.0078568	
-2.1305	38.479E-6						
1 Displacement Grid 1	25.25000	30.50000	-3.50000	-0.81190	-3.7250	-0.0068947	
-1.9196	34.683E-6						
1 Displacement Grid 1	26.25000	30.50000	-3.50000	-0.68379	-3.7250	-0.0051349	
-1.5844	28.668E-6						
1 Displacement Grid 1	27.25000	30.50000	-3.50000	-0.53603	-3.7250	-0.0031085	
-1.2023	21.813E-6						
1 Displacement Grid 1	28.25000	30.50000	-3.50000	-0.39576	-3.7250	-0.0016546	
-0.87258	15.875E-6						
1 Displacement Grid 1	29.25000	30.50000	-3.50000	-0.27841	-3.7250	-869.47E-6	
-0.63092	11.503E-6						
1 Displacement Grid 1	30.25000	30.50000	-3.50000	-0.18705	-3.7250	-477.00E-6	
-0.46334	8.4593E-6						
1 Displacement Grid 1	31.25000	30.50000	-3.50000	-0.11891	-3.7250	-276.27E-6	
-0.34733	6.3474E-6						
1 Displacement Grid 1	32.25000	30.50000	-3.50000	-0.06956	-3.7250	-168.24E-6	
-0.26570	4.8587E-6						

1 Displacement Grid 1	33.25000	30.50000	-3.50000	-0.03466	-3.7250	-106.95E-6
-0.20704 3.7879E-6						
1 Displacement Grid 1	34.25000	30.50000	-3.50000	-0.01053	-3.7250	-70.511E-6
-0.16403 3.0020E-6						
1 Displacement Grid 1	35.25000	30.50000	-3.50000	0.00574	-3.7250	-47.947E-6
-0.13188 2.4142E-6						
1 Displacement Grid 1	36.25000	30.50000	-3.50000	0.01638	-3.7250	-33.482E-6
-0.10743 1.9672E-6						
1 Displacement Grid 1	37.25000	30.50000	-3.50000	0.02303	-3.7250	-23.928E-6
-0.088558 1.6218E-6						
1 Displacement Grid 1	38.25000	30.50000	-3.50000	0.02689	-3.7250	-17.451E-6
-0.073777 1.3513E-6						
1 Displacement Grid 1	39.25000	30.50000	-3.50000	0.02882	-3.7250	-12.958E-6
-0.062055 1.1367E-6						
1 Displacement Grid 1	40.25000	30.50000	-3.50000	0.02945	-3.7250	-9.7773E-6
-0.052652 964.56E-9						
1 Displacement Grid 1	41.25000	30.50000	-3.50000	0.02920	-3.7250	-7.4847E-6
-0.045028 824.97E-9						
1 Displacement Grid 1	42.25000	30.50000	-3.50000	0.02840	-3.7250	-5.8050E-6
-0.038788 710.69E-9						
1 Displacement Grid 1	43.25000	30.50000	-3.50000	0.02725	-3.7250	-4.5559E-6
-0.033635 616.31E-9						
1 Displacement Grid 1	44.25000	30.50000	-3.50000	0.02591	-3.7250	-3.6144E-6
-0.029345 537.73E-9						
1 Displacement Grid 1	45.25000	30.50000	-3.50000	0.02447	-3.7250	-2.8961E-6
-0.025747 471.81E-9						
1 Displacement Grid 1	46.25000	30.50000	-3.50000	0.02300	-3.7250	-2.3417E-6
-0.022707 416.13E-9						
1 Displacement Grid 1	0.25000	31.50000	-3.50000	0.02284	-3.7250	-2.2692E-6
-0.022333 409.27E-9						
1 Displacement Grid 1	1.25000	31.50000	-3.50000	0.02430	-3.7250	-2.7925E-6
-0.025253 462.77E-9						
1 Displacement Grid 1	2.25000	31.50000	-3.50000	0.02573	-3.7250	-3.4653E-6
-0.028692 525.77E-9						
1 Displacement Grid 1	3.25000	31.50000	-3.50000	0.02709	-3.7250	-4.3391E-6
-0.032767 600.41E-9						
1 Displacement Grid 1	4.25000	31.50000	-3.50000	0.02829	-3.7250	-5.4865E-6
-0.037627 689.42E-9						
1 Displacement Grid 1	5.25000	31.50000	-3.50000	0.02919	-3.7250	-7.0110E-6
-0.043464 796.32E-9						
1 Displacement Grid 1	6.25000	31.50000	-3.50000	0.02961	-3.7250	-9.0627E-6
-0.050528 925.67E-9						
1 Displacement Grid 1	7.25000	31.50000	-3.50000	0.02931	-3.7250	-11.863E-6
-0.059144 1.0834E-6						
1 Displacement Grid 1	8.25000	31.50000	-3.50000	0.02792	-3.7250	-15.743E-6
-0.069746 1.2775E-6						
1 Displacement Grid 1	9.25000	31.50000	-3.50000	0.02495	-3.7250	-21.212E-6
-0.082909 1.5184E-6						
1 Displacement Grid 1	10.25000	31.50000	-3.50000	0.01974	-3.7250	-29.062E-6
-0.099412 1.8204E-6						
1 Displacement Grid 1	11.25000	31.50000	-3.50000	0.01139	-3.7250	-40.562E-6
-0.12032 2.2028E-6						
1 Displacement Grid 1	12.25000	31.50000	-3.50000	-0.00128	-3.7250	-57.793E-6
-0.14708 2.6923E-6						
1 Displacement Grid 1	13.25000	31.50000	-3.50000	-0.01977	-3.7250	-84.250E-6
-0.18173 3.3255E-6						
1 Displacement Grid 1	14.25000	31.50000	-3.50000	-0.04594	-3.7250	-125.95E-6
-0.22706 4.1534E-6						
1 Displacement Grid 1	15.25000	31.50000	-3.50000	-0.08188	-3.7250	-193.39E-6
-0.28688 5.2452E-6						
1 Displacement Grid 1	16.25000	31.50000	-3.50000	-0.12972	-3.7250	-304.82E-6
-0.36618 6.6909E-6						
1 Displacement Grid 1	17.25000	31.50000	-3.50000	-0.19093	-3.7250	-489.97E-6
-0.47065 8.5923E-6						
1 Displacement Grid 1	18.25000	31.50000	-3.50000	-0.26514	-3.7250	-788.09E-6
-0.60440 11.023E-6						
1 Displacement Grid 1	19.25000	31.50000	-3.50000	-0.34840	-3.7250	-0.0012212
-0.76425 13.921E-6						
1 Displacement Grid 1	20.25000	31.50000	-3.50000	-0.43182	-3.7250	-0.0017352
-0.93229 16.964E-6						
1 Displacement Grid 1	21.25000	31.50000	-3.50000	-0.50301	-3.7250	-0.0021938

-1.0781	19.603E-6							
1 Displacement	Grid 1	22.25000	31.50000	-3.50000	-0.55040	-3.7250	-0.0024861	
-1.1744	21.347E-6							
1 Displacement	Grid 1	23.25000	31.50000	-3.50000	-0.56675	-3.7250	-0.0025827	
-1.2073	21.943E-6							
1 Displacement	Grid 1	24.25000	31.50000	-3.50000	-0.54976	-3.7250	-0.0024853	
-1.1733	21.327E-6							
1 Displacement	Grid 1	25.25000	31.50000	-3.50000	-0.50181	-3.7250	-0.0021923	
-1.0761	19.566E-6							
1 Displacement	Grid 1	26.25000	31.50000	-3.50000	-0.43020	-3.7250	-0.0017331	
-0.92948	16.912E-6							
1 Displacement	Grid 1	27.25000	31.50000	-3.50000	-0.34654	-3.7250	-0.0012189	
-0.76091	13.860E-6							
1 Displacement	Grid 1	28.25000	31.50000	-3.50000	-0.26322	-3.7250	-785.72E-6	
-0.60080	10.957E-6							
1 Displacement	Grid 1	29.25000	31.50000	-3.50000	-0.18909	-3.7250	-487.71E-6	
-0.46699	8.5254E-6							
1 Displacement	Grid 1	30.25000	31.50000	-3.50000	-0.12808	-3.7250	-302.78E-6	
-0.36264	6.6261E-6							
1 Displacement	Grid 1	31.25000	31.50000	-3.50000	-0.08050	-3.7250	-191.64E-6	
-0.28358	5.1847E-6							
1 Displacement	Grid 1	32.25000	31.50000	-3.50000	-0.04483	-3.7250	-124.48E-6	
-0.22405	4.0984E-6							
1 Displacement	Grid 1	33.25000	31.50000	-3.50000	-0.01895	-3.7250	-83.050E-6	
-0.17905	3.2764E-6							
1 Displacement	Grid 1	34.25000	31.50000	-3.50000	-0.00071	-3.7250	-56.827E-6	
-0.14472	2.6490E-6							
1 Displacement	Grid 1	35.25000	31.50000	-3.50000	0.01174	-3.7250	-39.794E-6	
-0.11826	2.1652E-6							
1 Displacement	Grid 1	36.25000	31.50000	-3.50000	0.01991	-3.7250	-28.455E-6	
-0.097633	1.7878E-6							
1 Displacement	Grid 1	37.25000	31.50000	-3.50000	0.02498	-3.7250	-20.734E-6	
-0.081375	1.4903E-6							
1 Displacement	Grid 1	38.25000	31.50000	-3.50000	0.02783	-3.7250	-15.367E-6	
-0.068427	1.2534E-6							
1 Displacement	Grid 1	39.25000	31.50000	-3.50000	0.02914	-3.7250	-11.567E-6	
-0.058010	1.0627E-6							
1 Displacement	Grid 1	40.25000	31.50000	-3.50000	0.02939	-3.7250	-8.8290E-6	
-0.049552	907.81E-9							
1 Displacement	Grid 1	41.25000	31.50000	-3.50000	0.02893	-3.7250	-6.8260E-6	
-0.042624	780.94E-9							
1 Displacement	Grid 1	42.25000	31.50000	-3.50000	0.02801	-3.7250	-5.3394E-6	
-0.036902	676.14E-9							
1 Displacement	Grid 1	43.25000	31.50000	-3.50000	0.02681	-3.7250	-4.2217E-6	
-0.032140	588.92E-9							
1 Displacement	Grid 1	44.25000	31.50000	-3.50000	0.02545	-3.7250	-3.3711E-6	
-0.028149	515.81E-9							
1 Displacement	Grid 1	45.25000	31.50000	-3.50000	0.02402	-3.7250	-2.7166E-6	
-0.024781	454.11E-9							
1 Displacement	Grid 1	46.25000	31.50000	-3.50000	0.02257	-3.7250	-2.2077E-6	
-0.021921	401.72E-9							
1 Displacement	Grid 1	0.25000	32.50000	-3.50000	0.02235	-3.7250	-2.1207E-6	
-0.021449	393.07E-9							
1 Displacement	Grid 1	1.25000	32.50000	-3.50000	0.02378	-3.7250	-2.5951E-6	
-0.024173	442.97E-9							
1 Displacement	Grid 1	2.25000	32.50000	-3.50000	0.02520	-3.7250	-3.1999E-6	
-0.027361	501.38E-9							
1 Displacement	Grid 1	3.25000	32.50000	-3.50000	0.02657	-3.7250	-3.9782E-6	
-0.031114	570.14E-9							
1 Displacement	Grid 1	4.25000	32.50000	-3.50000	0.02781	-3.7250	-4.9893E-6	
-0.035558	651.52E-9							
1 Displacement	Grid 1	5.25000	32.50000	-3.50000	0.02883	-3.7250	-6.3166E-6	
-0.040849	748.43E-9							
1 Displacement	Grid 1	6.25000	32.50000	-3.50000	0.02946	-3.7250	-8.0783E-6	
-0.047191	864.57E-9							
1 Displacement	Grid 1	7.25000	32.50000	-3.50000	0.02951	-3.7250	-10.444E-6	
-0.054841	1.0046E-6							
1 Displacement	Grid 1	8.25000	32.50000	-3.50000	0.02871	-3.7250	-13.663E-6	
-0.064133	1.1748E-6							
1 Displacement	Grid 1	9.25000	32.50000	-3.50000	0.02668	-3.7250	-18.100E-6	
-0.075497	1.3828E-6							

1 Displacement Grid 1	10.25000	32.50000	-3.50000	0.02293	-3.7250	-24.306E-6
-0.089497 1.6390E-6						
1 Displacement Grid 1	11.25000	32.50000	-3.50000	0.01680	-3.7250	-33.116E-6
-0.10686 1.9567E-6						
1 Displacement Grid 1	12.25000	32.50000	-3.50000	0.00750	-3.7250	-45.821E-6
-0.12854 2.3533E-6						
1 Displacement Grid 1	13.25000	32.50000	-3.50000	-0.00596	-3.7250	-64.422E-6
-0.15577 2.8510E-6						
1 Displacement Grid 1	14.25000	32.50000	-3.50000	-0.02470	-3.7250	-92.031E-6
-0.19007 3.4778E-6						
1 Displacement Grid 1	15.25000	32.50000	-3.50000	-0.04987	-3.7250	-133.39E-6
-0.23328 4.2669E-6						
1 Displacement Grid 1	16.25000	32.50000	-3.50000	-0.08239	-3.7250	-195.35E-6
-0.28733 5.2533E-6						
1 Displacement Grid 1	17.25000	32.50000	-3.50000	-0.12253	-3.7250	-286.44E-6
-0.35368 6.4630E-6						
1 Displacement Grid 1	18.25000	32.50000	-3.50000	-0.16929	-3.7250	-413.84E-6
-0.43205 7.8903E-6						
1 Displacement Grid 1	19.25000	32.50000	-3.50000	-0.21971	-3.7250	-575.50E-6
-0.51852 9.4636E-6						
1 Displacement Grid 1	20.25000	32.50000	-3.50000	-0.26872	-3.7250	-751.57E-6
-0.60428 11.023E-6						
1 Displacement Grid 1	21.25000	32.50000	-3.50000	-0.30991	-3.7250	-907.51E-6
-0.67710 12.346E-6						
1 Displacement Grid 1	22.25000	32.50000	-3.50000	-0.33728	-3.7250	-0.0010118
-0.72550 13.226E-6						
1 Displacement Grid 1	23.25000	32.50000	-3.50000	-0.34675	-3.7250	-0.0010477
-0.74217 13.529E-6						
1 Displacement Grid 1	24.25000	32.50000	-3.50000	-0.33691	-3.7250	-0.0010113
-0.72479 13.213E-6						
1 Displacement Grid 1	25.25000	32.50000	-3.50000	-0.30920	-3.7250	-906.66E-6
-0.67575 12.322E-6						
1 Displacement Grid 1	26.25000	32.50000	-3.50000	-0.26776	-3.7250	-750.41E-6
-0.60240 10.988E-6						
1 Displacement Grid 1	27.25000	32.50000	-3.50000	-0.21861	-3.7250	-574.16E-6
-0.51625 9.4221E-6						
1 Displacement Grid 1	28.25000	32.50000	-3.50000	-0.16814	-3.7250	-412.43E-6
-0.42955 7.8445E-6						
1 Displacement Grid 1	29.25000	32.50000	-3.50000	-0.12142	-3.7250	-285.06E-6
-0.35109 6.4156E-6						
1 Displacement Grid 1	30.25000	32.50000	-3.50000	-0.08139	-3.7250	-194.06E-6
-0.28477 5.2064E-6						
1 Displacement Grid 1	31.25000	32.50000	-3.50000	-0.04903	-3.7250	-132.25E-6
-0.23083 4.2220E-6						
1 Displacement Grid 1	32.25000	32.50000	-3.50000	-0.02404	-3.7250	-91.041E-6
-0.18779 3.4360E-6						
1 Displacement Grid 1	33.25000	32.50000	-3.50000	-0.00548	-3.7250	-63.587E-6
-0.15369 2.8129E-6						
1 Displacement Grid 1	34.25000	32.50000	-3.50000	0.00781	-3.7250	-45.129E-6
-0.12668 2.3191E-6						
1 Displacement Grid 1	35.25000	32.50000	-3.50000	0.01696	-3.7250	-32.551E-6
-0.10520 1.9263E-6						
1 Displacement Grid 1	36.25000	32.50000	-3.50000	0.02296	-3.7250	-23.847E-6
-0.088036 1.6122E-6						
1 Displacement Grid 1	37.25000	32.50000	-3.50000	0.02662	-3.7250	-17.730E-6
-0.074217 1.3593E-6						
1 Displacement Grid 1	38.25000	32.50000	-3.50000	0.02857	-3.7250	-13.366E-6
-0.063015 1.1543E-6						
1 Displacement Grid 1	39.25000	32.50000	-3.50000	0.02932	-3.7250	-10.206E-6
-0.053867 986.81E-9						
1 Displacement Grid 1	40.25000	32.50000	-3.50000	0.02922	-3.7250	-7.8869E-6
-0.046343 849.04E-9						
1 Displacement Grid 1	41.25000	32.50000	-3.50000	0.02857	-3.7250	-6.1626E-6
-0.040111 734.92E-9						
1 Displacement Grid 1	42.25000	32.50000	-3.50000	0.02754	-3.7250	-4.8652E-6
-0.034914 639.74E-9						
1 Displacement Grid 1	43.25000	32.50000	-3.50000	0.02629	-3.7250	-3.8778E-6
-0.030553 559.86E-9						
1 Displacement Grid 1	44.25000	32.50000	-3.50000	0.02493	-3.7250	-3.1185E-6
-0.026871 492.40E-9						
1 Displacement Grid 1	45.25000	32.50000	-3.50000	0.02351	-3.7250	-2.5287E-6

-0.023743	435.10E-9						
1 Displacement Grid 1		46.25000	32.50000	-3.50000	0.02209	-3.7250	-2.0664E-6
-0.021072	386.16E-9						
1 Displacement Grid 1		0.25000	33.50000	-3.50000	0.02181	-3.7250	-1.9690E-6
-0.020520	376.05E-9						
1 Displacement Grid 1		1.25000	33.50000	-3.50000	0.02320	-3.7250	-2.3950E-6
-0.023043	422.28E-9						
1 Displacement Grid 1		2.25000	33.50000	-3.50000	0.02461	-3.7250	-2.9334E-6
-0.025979	476.07E-9						
1 Displacement Grid 1		3.25000	33.50000	-3.50000	0.02598	-3.7250	-3.6192E-6
-0.029411	538.93E-9						
1 Displacement Grid 1		4.25000	33.50000	-3.50000	0.02725	-3.7250	-4.5003E-6
-0.033441	612.75E-9						
1 Displacement Grid 1		5.25000	33.50000	-3.50000	0.02835	-3.7250	-5.6423E-6
-0.038198	699.89E-9						
1 Displacement Grid 1		6.25000	33.50000	-3.50000	0.02917	-3.7250	-7.1361E-6
-0.043842	803.25E-9						
1 Displacement Grid 1		7.25000	33.50000	-3.50000	0.02953	-3.7250	-9.1091E-6
-0.050572	926.49E-9						
1 Displacement Grid 1		8.25000	33.50000	-3.50000	0.02923	-3.7250	-11.741E-6
-0.058639	1.0742E-6						
1 Displacement Grid 1		9.25000	33.50000	-3.50000	0.02800	-3.7250	-15.290E-6
-0.068355	1.2521E-6						
1 Displacement Grid 1		10.25000	33.50000	-3.50000	0.02548	-3.7250	-20.123E-6
-0.080112	1.4672E-6						
1 Displacement Grid 1		11.25000	33.50000	-3.50000	0.02121	-3.7250	-26.773E-6
-0.094395	1.7286E-6						
1 Displacement Grid 1		12.25000	33.50000	-3.50000	0.01466	-3.7250	-36.008E-6
-0.11180	2.0469E-6						
1 Displacement Grid 1		13.25000	33.50000	-3.50000	0.00521	-3.7250	-48.929E-6
-0.13302	2.4350E-6						
1 Displacement Grid 1		14.25000	33.50000	-3.50000	-0.00779	-3.7250	-67.079E-6
-0.15884	2.9072E-6						
1 Displacement Grid 1		15.25000	33.50000	-3.50000	-0.02494	-3.7250	-92.512E-6
-0.19007	3.4777E-6						
1 Displacement Grid 1		16.25000	33.50000	-3.50000	-0.04658	-3.7250	-127.69E-6
-0.22728	4.1575E-6						
1 Displacement Grid 1		17.25000	33.50000	-3.50000	-0.07255	-3.7250	-174.90E-6
-0.27054	4.9469E-6						
1 Displacement Grid 1		18.25000	33.50000	-3.50000	-0.10191	-3.7250	-234.91E-6
-0.31874	5.8263E-6						
1 Displacement Grid 1		19.25000	33.50000	-3.50000	-0.13271	-3.7250	-304.82E-6
-0.36913	6.7449E-6						
1 Displacement Grid 1		20.25000	33.50000	-3.50000	-0.16198	-3.7250	-376.74E-6
-0.41708	7.6187E-6						
1 Displacement Grid 1		21.25000	33.50000	-3.50000	-0.18625	-3.7250	-439.22E-6
-0.45686	8.3433E-6						
1 Displacement Grid 1		22.25000	33.50000	-3.50000	-0.20228	-3.7250	-481.32E-6
-0.48308	8.8209E-6						
1 Displacement Grid 1		23.25000	33.50000	-3.50000	-0.20781	-3.7250	-496.03E-6
-0.49208	8.9849E-6						
1 Displacement Grid 1		24.25000	33.50000	-3.50000	-0.20206	-3.7250	-481.06E-6
-0.48260	8.8121E-6						
1 Displacement Grid 1		25.25000	33.50000	-3.50000	-0.18584	-3.7250	-438.72E-6
-0.45593	8.3264E-6						
1 Displacement Grid 1		26.25000	33.50000	-3.50000	-0.16142	-3.7250	-376.05E-6
-0.41578	7.5949E-6						
1 Displacement Grid 1		27.25000	33.50000	-3.50000	-0.13206	-3.7250	-304.01E-6
-0.36755	6.7159E-6						
1 Displacement Grid 1		28.25000	33.50000	-3.50000	-0.10125	-3.7250	-234.04E-6
-0.31697	5.7938E-6						
1 Displacement Grid 1		29.25000	33.50000	-3.50000	-0.07191	-3.7250	-174.03E-6
-0.26867	4.9127E-6						
1 Displacement Grid 1		30.25000	33.50000	-3.50000	-0.04601	-3.7250	-126.86E-6
-0.22540	4.1229E-6						
1 Displacement Grid 1		31.25000	33.50000	-3.50000	-0.02447	-3.7250	-91.751E-6
-0.18823	3.4441E-6						
1 Displacement Grid 1		32.25000	33.50000	-3.50000	-0.00744	-3.7250	-66.403E-6
-0.15710	2.8753E-6						
1 Displacement Grid 1		33.25000	33.50000	-3.50000	0.00545	-3.7250	-48.343E-6
-0.13140	2.4054E-6						

1 Displacement Grid 1	34.25000	33.50000	-3.50000	0.01479	-3.7250	-35.510E-6
-0.11031 2.0198E-6						
1 Displacement Grid 1	35.25000	33.50000	-3.50000	0.02124	-3.7250	-26.355E-6
-0.093056 1.7041E-6						
1 Displacement Grid 1	36.25000	33.50000	-3.50000	0.02542	-3.7250	-19.776E-6
-0.078913 1.4453E-6						
1 Displacement Grid 1	37.25000	33.50000	-3.50000	0.02787	-3.7250	-15.005E-6
-0.067289 1.2325E-6						
1 Displacement Grid 1	38.25000	33.50000	-3.50000	0.02905	-3.7250	-11.508E-6
-0.057695 1.0569E-6						
1 Displacement Grid 1	39.25000	33.50000	-3.50000	0.02931	-3.7250	-8.9180E-6
-0.049739 911.23E-9						
1 Displacement Grid 1	40.25000	33.50000	-3.50000	0.02892	-3.7250	-6.9800E-6
-0.043108 789.81E-9						
1 Displacement Grid 1	41.25000	33.50000	-3.50000	0.02809	-3.7250	-5.5148E-6
-0.037553 688.06E-9						
1 Displacement Grid 1	42.25000	33.50000	-3.50000	0.02699	-3.7250	-4.3961E-6
-0.032873 602.34E-9						
1 Displacement Grid 1	43.25000	33.50000	-3.50000	0.02571	-3.7250	-3.5339E-6
-0.028910 529.76E-9						
1 Displacement Grid 1	44.25000	33.50000	-3.50000	0.02434	-3.7250	-2.8633E-6
-0.025538 467.99E-9						
1 Displacement Grid 1	45.25000	33.50000	-3.50000	0.02294	-3.7250	-2.3374E-6
-0.022654 415.16E-9						
1 Displacement Grid 1	46.25000	33.50000	-3.50000	0.02156	-3.7250	-1.9214E-6
-0.020176 369.75E-9						
1 Displacement Grid 1	0.25000	34.50000	-3.50000	0.02122	-3.7250	-1.8174E-6
-0.019562 358.51E-9						
1 Displacement Grid 1	1.25000	34.50000	-3.50000	0.02258	-3.7250	-2.1967E-6
-0.021886 401.08E-9						
1 Displacement Grid 1	2.25000	34.50000	-3.50000	0.02395	-3.7250	-2.6716E-6
-0.024572 450.29E-9						
1 Displacement Grid 1	3.25000	34.50000	-3.50000	0.02531	-3.7250	-3.2703E-6
-0.027689 507.39E-9						
1 Displacement Grid 1	4.25000	34.50000	-3.50000	0.02661	-3.7250	-4.0306E-6
-0.031320 573.89E-9						
1 Displacement Grid 1	5.25000	34.50000	-3.50000	0.02777	-3.7250	-5.0030E-6
-0.035566 651.67E-9						
1 Displacement Grid 1	6.25000	34.50000	-3.50000	0.02872	-3.7250	-6.2561E-6
-0.040552 742.99E-9						
1 Displacement Grid 1	7.25000	34.50000	-3.50000	0.02934	-3.7250	-7.8833E-6
-0.046428 850.60E-9						
1 Displacement Grid 1	8.25000	34.50000	-3.50000	0.02946	-3.7250	-10.012E-6
-0.053377 977.85E-9						
1 Displacement Grid 1	9.25000	34.50000	-3.50000	0.02888	-3.7250	-12.818E-6
-0.061621 1.1288E-6						
1 Displacement Grid 1	10.25000	34.50000	-3.50000	0.02735	-3.7250	-16.541E-6
-0.071423 1.3082E-6						
1 Displacement Grid 1	11.25000	34.50000	-3.50000	0.02457	-3.7250	-21.510E-6
-0.083092 1.5218E-6						
1 Displacement Grid 1	12.25000	34.50000	-3.50000	0.02019	-3.7250	-28.170E-6
-0.096981 1.7759E-6						
1 Displacement Grid 1	13.25000	34.50000	-3.50000	0.01381	-3.7250	-37.105E-6
-0.11347 2.0775E-6						
1 Displacement Grid 1	14.25000	34.50000	-3.50000	0.00507	-3.7250	-49.055E-6
-0.13292 2.4332E-6						
1 Displacement Grid 1	15.25000	34.50000	-3.50000	-0.00630	-3.7250	-64.877E-6
-0.15561 2.8480E-6						
1 Displacement Grid 1	16.25000	34.50000	-3.50000	-0.02040	-3.7250	-85.402E-6
-0.18160 3.3230E-6						
1 Displacement Grid 1	17.25000	34.50000	-3.50000	-0.03698	-3.7250	-111.12E-6
-0.21053 3.8515E-6						
1 Displacement Grid 1	18.25000	34.50000	-3.50000	-0.05531	-3.7250	-141.63E-6
-0.24141 4.4154E-6						
1 Displacement Grid 1	19.25000	34.50000	-3.50000	-0.07415	-3.7250	-175.13E-6
-0.27243 4.9816E-6						
1 Displacement Grid 1	20.25000	34.50000	-3.50000	-0.09176	-3.7250	-208.15E-6
-0.30103 5.5034E-6						
1 Displacement Grid 1	21.25000	34.50000	-3.50000	-0.10619	-3.7250	-236.21E-6
-0.32424 5.9270E-6						
1 Displacement Grid 1	22.25000	34.50000	-3.50000	-0.11566	-3.7250	-255.00E-6

-0.33937	6.2030E-6						
1 Displacement Grid 1	23.25000	34.50000	-3.50000	-0.11893	-3.7250	-261.55E-6	
-0.34452	6.2969E-6						
1 Displacement Grid 1	24.25000	34.50000	-3.50000	-0.11554	-3.7250	-254.84E-6	
-0.33904	6.1968E-6						
1 Displacement Grid 1	25.25000	34.50000	-3.50000	-0.10597	-3.7250	-235.91E-6	
-0.32360	5.9152E-6						
1 Displacement Grid 1	26.25000	34.50000	-3.50000	-0.09145	-3.7250	-207.73E-6	
-0.30011	5.4866E-6						
1 Displacement Grid 1	27.25000	34.50000	-3.50000	-0.07380	-3.7250	-174.63E-6	
-0.27130	4.9610E-6						
1 Displacement Grid 1	28.25000	34.50000	-3.50000	-0.05495	-3.7250	-141.08E-6	
-0.24013	4.3920E-6						
1 Displacement Grid 1	29.25000	34.50000	-3.50000	-0.03663	-3.7250	-110.55E-6	
-0.20916	3.8264E-6						
1 Displacement Grid 1	30.25000	34.50000	-3.50000	-0.02010	-3.7250	-84.853E-6	
-0.18019	3.2972E-6						
1 Displacement Grid 1	31.25000	34.50000	-3.50000	-0.00607	-3.7250	-64.362E-6	
-0.15421	2.8225E-6						
1 Displacement Grid 1	32.25000	34.50000	-3.50000	0.00523	-3.7250	-48.587E-6	
-0.13157	2.4086E-6						
1 Displacement Grid 1	33.25000	34.50000	-3.50000	0.01389	-3.7250	-36.690E-6	
-0.11220	2.0542E-6						
1 Displacement Grid 1	34.25000	34.50000	-3.50000	0.02019	-3.7250	-27.809E-6	
-0.095800	1.7543E-6						
1 Displacement Grid 1	35.25000	34.50000	-3.50000	0.02451	-3.7250	-21.201E-6	
-0.082008	1.5019E-6						
1 Displacement Grid 1	36.25000	34.50000	-3.50000	0.02723	-3.7250	-16.279E-6	
-0.070438	1.2902E-6						
1 Displacement Grid 1	37.25000	34.50000	-3.50000	0.02871	-3.7250	-12.598E-6	
-0.060732	1.1125E-6						
1 Displacement Grid 1	38.25000	34.50000	-3.50000	0.02925	-3.7250	-9.8284E-6	
-0.052581	963.25E-9						
1 Displacement Grid 1	39.25000	34.50000	-3.50000	0.02911	-3.7250	-7.7305E-6	
-0.045716	837.56E-9						
1 Displacement Grid 1	40.25000	34.50000	-3.50000	0.02848	-3.7250	-6.1293E-6	
-0.039918	731.38E-9						
1 Displacement Grid 1	41.25000	34.50000	-3.50000	0.02752	-3.7250	-4.8979E-6	
-0.035003	641.35E-9						
1 Displacement Grid 1	42.25000	34.50000	-3.50000	0.02635	-3.7250	-3.9435E-6	
-0.030819	564.72E-9						
1 Displacement Grid 1	43.25000	34.50000	-3.50000	0.02505	-3.7250	-3.1981E-6	
-0.027244	499.24E-9						
1 Displacement Grid 1	44.25000	34.50000	-3.50000	0.02370	-3.7250	-2.6117E-6	
-0.024177	443.06E-9						
1 Displacement Grid 1	45.25000	34.50000	-3.50000	0.02233	-3.7250	-2.1468E-6	
-0.021535	394.65E-9						
1 Displacement Grid 1	46.25000	34.50000	-3.50000	0.02099	-3.7250	-1.7758E-6	
-0.019250	352.79E-9						
1 Displacement Grid 1	0.25000	35.50000	-3.50000	0.02060	-3.7250	-1.6685E-6	
-0.018590	340.70E-9						
1 Displacement Grid 1	1.25000	35.50000	-3.50000	0.02191	-3.7250	-2.0036E-6	
-0.020719	379.70E-9						
1 Displacement Grid 1	2.25000	35.50000	-3.50000	0.02325	-3.7250	-2.4192E-6	
-0.023163	424.47E-9						
1 Displacement Grid 1	3.25000	35.50000	-3.50000	0.02458	-3.7250	-2.9377E-6	
-0.025977	476.03E-9						
1 Displacement Grid 1	4.25000	35.50000	-3.50000	0.02588	-3.7250	-3.5881E-6	
-0.029228	535.59E-9						
1 Displacement Grid 1	5.25000	35.50000	-3.50000	0.02709	-3.7250	-4.4089E-6	
-0.032996	604.60E-9						
1 Displacement Grid 1	6.25000	35.50000	-3.50000	0.02814	-3.7250	-5.4509E-6	
-0.037374	684.78E-9						
1 Displacement Grid 1	7.25000	35.50000	-3.50000	0.02895	-3.7250	-6.7811E-6	
-0.042473	778.17E-9						
1 Displacement Grid 1	8.25000	35.50000	-3.50000	0.02939	-3.7250	-8.4880E-6	
-0.048424	887.14E-9						
1 Displacement Grid 1	9.25000	35.50000	-3.50000	0.02932	-3.7250	-10.689E-6	
-0.055379	1.0145E-6						
1 Displacement Grid 1	10.25000	35.50000	-3.50000	0.02858	-3.7250	-13.536E-6	
-0.063509	1.1633E-6						



1 Displacement Grid 1	11.25000	35.50000	-3.50000	0.02694	-3.7250	-17.228E-6
-0.073005 1.3372E-6						
1 Displacement Grid 1	12.25000	35.50000	-3.50000	0.02419	-3.7250	-22.015E-6
-0.084064 1.5395E-6						
1 Displacement Grid 1	13.25000	35.50000	-3.50000	0.02009	-3.7250	-28.199E-6
-0.096872 1.7739E-6						
1 Displacement Grid 1	14.25000	35.50000	-3.50000	0.01445	-3.7250	-36.123E-6
-0.11157 2.0428E-6						
1 Displacement Grid 1	15.25000	35.50000	-3.50000	0.00713	-3.7250	-46.126E-6
-0.12820 2.3470E-6						
1 Displacement Grid 1	16.25000	35.50000	-3.50000	-0.00185	-3.7250	-58.448E-6
-0.14664 2.6841E-6						
1 Displacement Grid 1	17.25000	35.50000	-3.50000	-0.01227	-3.7250	-73.083E-6
-0.16647 3.0466E-6						
1 Displacement Grid 1	18.25000	35.50000	-3.50000	-0.02361	-3.7250	-89.583E-6
-0.18693 3.4205E-6						
1 Displacement Grid 1	19.25000	35.50000	-3.50000	-0.03509	-3.7250	-106.90E-6
-0.20687 3.7847E-6						
1 Displacement Grid 1	20.25000	35.50000	-3.50000	-0.04568	-3.7250	-123.41E-6
-0.22479 4.1119E-6						
1 Displacement Grid 1	21.25000	35.50000	-3.50000	-0.05429	-3.7250	-137.14E-6
-0.23907 4.3728E-6						
1 Displacement Grid 1	22.25000	35.50000	-3.50000	-0.05991	-3.7250	-146.23E-6
-0.24826 4.5407E-6						
1 Displacement Grid 1	23.25000	35.50000	-3.50000	-0.06184	-3.7250	-149.38E-6
-0.25137 4.5974E-6						
1 Displacement Grid 1	24.25000	35.50000	-3.50000	-0.05985	-3.7250	-146.13E-6
-0.24803 4.5363E-6						
1 Displacement Grid 1	25.25000	35.50000	-3.50000	-0.05418	-3.7250	-136.95E-6
-0.23860 4.3643E-6						
1 Displacement Grid 1	26.25000	35.50000	-3.50000	-0.04553	-3.7250	-123.15E-6
-0.22412 4.0998E-6						
1 Displacement Grid 1	27.25000	35.50000	-3.50000	-0.03491	-3.7250	-106.58E-6
-0.20605 3.7696E-6						
1 Displacement Grid 1	28.25000	35.50000	-3.50000	-0.02343	-3.7250	-89.226E-6
-0.18599 3.4032E-6						
1 Displacement Grid 1	29.25000	35.50000	-3.50000	-0.01211	-3.7250	-72.711E-6
-0.16545 3.0279E-6						
1 Displacement Grid 1	30.25000	35.50000	-3.50000	-0.00173	-3.7250	-58.078E-6
-0.14558 2.6646E-6						
1 Displacement Grid 1	31.25000	35.50000	-3.50000	0.00721	-3.7250	-45.772E-6
-0.12714 2.3275E-6						
1 Displacement Grid 1	32.25000	35.50000	-3.50000	0.01448	-3.7250	-35.796E-6
-0.11053 2.0237E-6						
1 Displacement Grid 1	33.25000	35.50000	-3.50000	0.02007	-3.7250	-27.902E-6
-0.095870 1.7556E-6						
1 Displacement Grid 1	34.25000	35.50000	-3.50000	0.02412	-3.7250	-21.751E-6
-0.083119 1.5222E-6						
1 Displacement Grid 1	35.25000	35.50000	-3.50000	0.02682	-3.7250	-16.998E-6
-0.072125 1.3210E-6						
1 Displacement Grid 1	36.25000	35.50000	-3.50000	0.02842	-3.7250	-13.337E-6
-0.062699 1.1485E-6						
1 Displacement Grid 1	37.25000	35.50000	-3.50000	0.02913	-3.7250	-10.518E-6
-0.054638 1.0009E-6						
1 Displacement Grid 1	38.25000	35.50000	-3.50000	0.02917	-3.7250	-8.3434E-6
-0.047752 874.83E-9						
1 Displacement Grid 1	39.25000	35.50000	-3.50000	0.02871	-3.7250	-6.6589E-6
-0.041866 767.04E-9						
1 Displacement Grid 1	40.25000	35.50000	-3.50000	0.02790	-3.7250	-5.3481E-6
-0.036827 674.77E-9						
1 Displacement Grid 1	41.25000	35.50000	-3.50000	0.02684	-3.7250	-4.3225E-6
-0.032505 595.61E-9						
1 Displacement Grid 1	42.25000	35.50000	-3.50000	0.02563	-3.7250	-3.5156E-6
-0.028789 527.53E-9						
1 Displacement Grid 1	43.25000	35.50000	-3.50000	0.02434	-3.7250	-2.8768E-6
-0.025583 468.81E-9						
1 Displacement Grid 1	44.25000	35.50000	-3.50000	0.02301	-3.7250	-2.3682E-6
-0.022810 418.01E-9						
1 Displacement Grid 1	45.25000	35.50000	-3.50000	0.02168	-3.7250	-1.9607E-6
-0.020403 373.92E-9						
1 Displacement Grid 1	46.25000	35.50000	-3.50000	0.02038	-3.7250	-1.6324E-6

-0.018308	335.52E-9						
1 Displacement Grid 1		0.25000	36.50000	-3.50000	0.01995	-3.7250	-1.5246E-6
-0.017617	322.87E-9						
1 Displacement Grid 1		1.25000	36.50000	-3.50000	0.02121	-3.7250	-1.8187E-6
-0.019558	358.42E-9						
1 Displacement Grid 1		2.25000	36.50000	-3.50000	0.02250	-3.7250	-2.1799E-6
-0.021770	398.95E-9						
1 Displacement Grid 1		3.25000	36.50000	-3.50000	0.02380	-3.7250	-2.6256E-6
-0.024299	445.28E-9						
1 Displacement Grid 1		4.25000	36.50000	-3.50000	0.02509	-3.7250	-3.1780E-6
-0.027196	498.36E-9						
1 Displacement Grid 1		5.25000	36.50000	-3.50000	0.02631	-3.7250	-3.8660E-6
-0.030522	559.28E-9						
1 Displacement Grid 1		6.25000	36.50000	-3.50000	0.02743	-3.7250	-4.7263E-6
-0.034346	629.33E-9						
1 Displacement Grid 1		7.25000	36.50000	-3.50000	0.02837	-3.7250	-5.8062E-6
-0.038750	709.99E-9						
1 Displacement Grid 1		8.25000	36.50000	-3.50000	0.02905	-3.7250	-7.1660E-6
-0.043824	802.91E-9						
1 Displacement Grid 1		9.25000	36.50000	-3.50000	0.02937	-3.7250	-8.8823E-6
-0.049669	909.95E-9						
1 Displacement Grid 1		10.25000	36.50000	-3.50000	0.02921	-3.7250	-11.051E-6
-0.056393	1.0331E-6						
1 Displacement Grid 1		11.25000	36.50000	-3.50000	0.02842	-3.7250	-13.787E-6
-0.064107	1.1743E-6						
1 Displacement Grid 1		12.25000	36.50000	-3.50000	0.02687	-3.7250	-17.230E-6
-0.072912	1.3354E-6						
1 Displacement Grid 1		13.25000	36.50000	-3.50000	0.02442	-3.7250	-21.531E-6
-0.082886	1.5180E-6						
1 Displacement Grid 1		14.25000	36.50000	-3.50000	0.02095	-3.7250	-26.840E-6
-0.094059	1.7224E-6						
1 Displacement Grid 1		15.25000	36.50000	-3.50000	0.01642	-3.7250	-33.278E-6
-0.10638	1.9478E-6						
1 Displacement Grid 1		16.25000	36.50000	-3.50000	0.01086	-3.7250	-40.881E-6
-0.11966	2.1907E-6						
1 Displacement Grid 1		17.25000	36.50000	-3.50000	0.00447	-3.7250	-49.538E-6
-0.13356	2.4449E-6						
1 Displacement Grid 1		18.25000	36.50000	-3.50000	-0.00244	-3.7250	-58.916E-6
-0.14751	2.7001E-6						
1 Displacement Grid 1		19.25000	36.50000	-3.50000	-0.00936	-3.7250	-68.422E-6
-0.16078	2.9426E-6						
1 Displacement Grid 1		20.25000	36.50000	-3.50000	-0.01570	-3.7250	-77.235E-6
-0.17247	3.1562E-6						
1 Displacement Grid 1		21.25000	36.50000	-3.50000	-0.02082	-3.7250	-84.423E-6
-0.18164	3.3238E-6						
1 Displacement Grid 1		22.25000	36.50000	-3.50000	-0.02414	-3.7250	-89.128E-6
-0.18748	3.4306E-6						
1 Displacement Grid 1		23.25000	36.50000	-3.50000	-0.02529	-3.7250	-90.747E-6
-0.18944	3.4663E-6						
1 Displacement Grid 1		24.25000	36.50000	-3.50000	-0.02411	-3.7250	-89.065E-6
-0.18731	3.4274E-6						
1 Displacement Grid 1		25.25000	36.50000	-3.50000	-0.02077	-3.7250	-84.301E-6
-0.18130	3.3176E-6						
1 Displacement Grid 1		26.25000	36.50000	-3.50000	-0.01564	-3.7250	-77.062E-6
-0.17198	3.1473E-6						
1 Displacement Grid 1		27.25000	36.50000	-3.50000	-0.00929	-3.7250	-68.210E-6
-0.16017	2.9315E-6						
1 Displacement Grid 1		28.25000	36.50000	-3.50000	-0.00238	-3.7250	-58.678E-6
-0.14681	2.6872E-6						
1 Displacement Grid 1		29.25000	36.50000	-3.50000	0.00451	-3.7250	-49.287E-6
-0.13278	2.4307E-6						
1 Displacement Grid 1		30.25000	36.50000	-3.50000	0.01088	-3.7250	-40.628E-6
-0.11885	2.1759E-6						
1 Displacement Grid 1		31.25000	36.50000	-3.50000	0.01640	-3.7250	-33.032E-6
-0.10555	1.9327E-6						
1 Displacement Grid 1		32.25000	36.50000	-3.50000	0.02090	-3.7250	-26.608E-6
-0.093241	1.7074E-6						
1 Displacement Grid 1		33.25000	36.50000	-3.50000	0.02433	-3.7250	-21.316E-6
-0.082090	1.5034E-6						
1 Displacement Grid 1		34.25000	36.50000	-3.50000	0.02675	-3.7250	-17.036E-6
-0.072151	1.3215E-6						

1 Displacement Grid 1	35.25000	36.50000	-3.50000	0.02827	-3.7250	-13.615E-6
-0.063390 1.1611E-6						
1 Displacement Grid 1	36.25000	36.50000	-3.50000	0.02903	-3.7250	-10.899E-6
-0.055725 1.0208E-6						
1 Displacement Grid 1	37.25000	36.50000	-3.50000	0.02917	-3.7250	-8.7505E-6
-0.049051 898.62E-9						
1 Displacement Grid 1	38.25000	36.50000	-3.50000	0.02883	-3.7250	-7.0523E-6
-0.043257 792.52E-9						
1 Displacement Grid 1	39.25000	36.50000	-3.50000	0.02814	-3.7250	-5.7086E-6
-0.038232 700.50E-9						
1 Displacement Grid 1	40.25000	36.50000	-3.50000	0.02719	-3.7250	-4.6429E-6
-0.033876 620.71E-9						
1 Displacement Grid 1	41.25000	36.50000	-3.50000	0.02607	-3.7250	-3.7951E-6
-0.030095 551.46E-9						
1 Displacement Grid 1	42.25000	36.50000	-3.50000	0.02485	-3.7250	-3.1178E-6
-0.026810 491.29E-9						
1 Displacement Grid 1	43.25000	36.50000	-3.50000	0.02357	-3.7250	-2.5744E-6
-0.023950 438.90E-9						
1 Displacement Grid 1	44.25000	36.50000	-3.50000	0.02227	-3.7250	-2.1365E-6
-0.021456 393.20E-9						
1 Displacement Grid 1	45.25000	36.50000	-3.50000	0.02099	-3.7250	-1.7819E-6
-0.019274 353.23E-9						
1 Displacement Grid 1	46.25000	36.50000	-3.50000	0.01974	-3.7250	-1.4933E-6
-0.017362 318.20E-9						
1 Displacement Grid 1	0.25000	37.50000	-3.50000	0.01927	-3.7250	-1.3873E-6
-0.016654 305.22E-9						
1 Displacement Grid 1	1.25000	37.50000	-3.50000	0.02048	-3.7250	-1.6439E-6
-0.018415 337.49E-9						
1 Displacement Grid 1	2.25000	37.50000	-3.50000	0.02172	-3.7250	-1.9559E-6
-0.020410 374.04E-9						
1 Displacement Grid 1	3.25000	37.50000	-3.50000	0.02298	-3.7250	-2.3368E-6
-0.022673 415.49E-9						
1 Displacement Grid 1	4.25000	37.50000	-3.50000	0.02423	-3.7250	-2.8033E-6
-0.025243 462.58E-9						
1 Displacement Grid 1	5.25000	37.50000	-3.50000	0.02546	-3.7250	-3.3765E-6
-0.028167 516.15E-9						
1 Displacement Grid 1	6.25000	37.50000	-3.50000	0.02661	-3.7250	-4.0829E-6
-0.031496 577.12E-9						
1 Displacement Grid 1	7.25000	37.50000	-3.50000	0.02764	-3.7250	-4.9552E-6
-0.035286 646.54E-9						
1 Displacement Grid 1	8.25000	37.50000	-3.50000	0.02848	-3.7250	-6.0339E-6
-0.039599 725.53E-9						
1 Displacement Grid 1	9.25000	37.50000	-3.50000	0.02908	-3.7250	-7.3681E-6
-0.044500 815.28E-9						
1 Displacement Grid 1	10.25000	37.50000	-3.50000	0.02933	-3.7250	-9.0164E-6
-0.050053 916.97E-9						
1 Displacement Grid 1	11.25000	37.50000	-3.50000	0.02916	-3.7250	-11.046E-6
-0.056318 1.0317E-6						
1 Displacement Grid 1	12.25000	37.50000	-3.50000	0.02846	-3.7250	-13.530E-6
-0.063341 1.1602E-6						
1 Displacement Grid 1	13.25000	37.50000	-3.50000	0.02716	-3.7250	-16.542E-6
-0.071140 1.3030E-6						
1 Displacement Grid 1	14.25000	37.50000	-3.50000	0.02519	-3.7250	-20.142E-6
-0.079694 1.4596E-6						
1 Displacement Grid 1	15.25000	37.50000	-3.50000	0.02254	-3.7250	-24.362E-6
-0.088915 1.6283E-6						
1 Displacement Grid 1	16.25000	37.50000	-3.50000	0.01925	-3.7250	-29.177E-6
-0.098631 1.8061E-6						
1 Displacement Grid 1	17.25000	37.50000	-3.50000	0.01544	-3.7250	-34.473E-6
-0.10857 1.9878E-6						
1 Displacement Grid 1	18.25000	37.50000	-3.50000	0.01134	-3.7250	-40.029E-6
-0.11833 2.1664E-6						
1 Displacement Grid 1	19.25000	37.50000	-3.50000	0.00725	-3.7250	-45.505E-6
-0.12743 2.3328E-6						
1 Displacement Grid 1	20.25000	37.50000	-3.50000	0.00351	-3.7250	-50.468E-6
-0.13531 2.4769E-6						
1 Displacement Grid 1	21.25000	37.50000	-3.50000	0.00051	-3.7250	-54.448E-6
-0.14141 2.5885E-6						
1 Displacement Grid 1	22.25000	37.50000	-3.50000	-0.00144	-3.7250	-57.024E-6
-0.14526 2.6590E-6						
1 Displacement Grid 1	23.25000	37.50000	-3.50000	-0.00211	-3.7250	-57.903E-6

-0.14654	2.6823E-6							
1 Displacement Grid 1		24.25000	37.50000	-3.50000	-0.00143	-3.7250	-56.982E-6	
-0.14513	2.6566E-6							
1 Displacement Grid 1		25.25000	37.50000	-3.50000	0.00052	-3.7250	-54.367E-6	
-0.14116	2.5839E-6							
1 Displacement Grid 1		26.25000	37.50000	-3.50000	0.00353	-3.7250	-50.353E-6	
-0.13494	2.4703E-6							
1 Displacement Grid 1		27.25000	37.50000	-3.50000	0.00726	-3.7250	-45.363E-6	
-0.12697	2.3244E-6							
1 Displacement Grid 1		28.25000	37.50000	-3.50000	0.01134	-3.7250	-39.868E-6	
-0.11779	2.1566E-6							
1 Displacement Grid 1		29.25000	37.50000	-3.50000	0.01542	-3.7250	-34.301E-6	
-0.10798	1.9770E-6							
1 Displacement Grid 1		30.25000	37.50000	-3.50000	0.01920	-3.7250	-29.000E-6	
-0.098004	1.7946E-6							
1 Displacement Grid 1		31.25000	37.50000	-3.50000	0.02247	-3.7250	-24.188E-6	
-0.088270	1.6165E-6							
1 Displacement Grid 1		32.25000	37.50000	-3.50000	0.02509	-3.7250	-19.975E-6	
-0.079047	1.4477E-6							
1 Displacement Grid 1		33.25000	37.50000	-3.50000	0.02703	-3.7250	-16.385E-6	
-0.070504	1.2914E-6							
1 Displacement Grid 1		34.25000	37.50000	-3.50000	0.02831	-3.7250	-13.386E-6	
-0.062726	1.1490E-6							
1 Displacement Grid 1		35.25000	37.50000	-3.50000	0.02898	-3.7250	-10.916E-6	
-0.055731	1.0209E-6							
1 Displacement Grid 1		36.25000	37.50000	-3.50000	0.02914	-3.7250	-8.9004E-6	
-0.049500	906.84E-9							
1 Displacement Grid 1		37.25000	37.50000	-3.50000	0.02887	-3.7250	-7.2657E-6	
-0.043983	805.81E-9							
1 Displacement Grid 1		38.25000	37.50000	-3.50000	0.02827	-3.7250	-5.9442E-6	
-0.039120	716.75E-9							
1 Displacement Grid 1		39.25000	37.50000	-3.50000	0.02741	-3.7250	-4.8772E-6	
-0.034844	638.45E-9							
1 Displacement Grid 1		40.25000	37.50000	-3.50000	0.02638	-3.7250	-4.0154E-6	
-0.031090	569.69E-9							
1 Displacement Grid 1		41.25000	37.50000	-3.50000	0.02523	-3.7250	-3.3183E-6	
-0.027797	509.36E-9							
1 Displacement Grid 1		42.25000	37.50000	-3.50000	0.02401	-3.7250	-2.7533E-6	
-0.024905	456.39E-9							
1 Displacement Grid 1		43.25000	37.50000	-3.50000	0.02276	-3.7250	-2.2939E-6	
-0.022365	409.86E-9							
1 Displacement Grid 1		44.25000	37.50000	-3.50000	0.02150	-3.7250	-1.9192E-6	
-0.020131	368.92E-9							
1 Displacement Grid 1		45.25000	37.50000	-3.50000	0.02027	-3.7250	-1.6124E-6	
-0.018162	332.85E-9							
1 Displacement Grid 1		46.25000	37.50000	-3.50000	0.01907	-3.7250	-1.3603E-6	
-0.016424	301.01E-9							
1 Displacement Grid 1		0.25000	38.50000	-3.50000	0.01857	-3.7250	-1.2579E-6	
-0.015710	287.92E-9							
1 Displacement Grid 1		1.25000	38.50000	-3.50000	0.01972	-3.7250	-1.4806E-6	
-0.017303	317.11E-9							
1 Displacement Grid 1		2.25000	38.50000	-3.50000	0.02091	-3.7250	-1.7488E-6	
-0.019095	349.94E-9							
1 Displacement Grid 1		3.25000	38.50000	-3.50000	0.02212	-3.7250	-2.0726E-6	
-0.021112	386.90E-9							
1 Displacement Grid 1		4.25000	38.50000	-3.50000	0.02333	-3.7250	-2.4646E-6	
-0.023386	428.55E-9							
1 Displacement Grid 1		5.25000	38.50000	-3.50000	0.02453	-3.7250	-2.9401E-6	
-0.025948	475.50E-9							
1 Displacement Grid 1		6.25000	38.50000	-3.50000	0.02569	-3.7250	-3.5177E-6	
-0.028837	528.42E-9							
1 Displacement Grid 1		7.25000	38.50000	-3.50000	0.02677	-3.7250	-4.2199E-6	
-0.032091	588.02E-9							
1 Displacement Grid 1		8.25000	38.50000	-3.50000	0.02772	-3.7250	-5.0734E-6	
-0.035750	655.04E-9							
1 Displacement Grid 1		9.25000	38.50000	-3.50000	0.02849	-3.7250	-6.1093E-6	
-0.039854	730.21E-9							
1 Displacement Grid 1		10.25000	38.50000	-3.50000	0.02903	-3.7250	-7.3625E-6	
-0.044440	814.20E-9							
1 Displacement Grid 1		11.25000	38.50000	-3.50000	0.02928	-3.7250	-8.8710E-6	
-0.049536	907.50E-9							

1 Displacement Grid 1	12.25000	38.50000	-3.50000	0.02917	-3.7250	-10.672E-6
-0.055154 1.0104E-6						
1 Displacement Grid 1	13.25000	38.50000	-3.50000	0.02865	-3.7250	-12.800E-6
-0.061284 1.1226E-6						
1 Displacement Grid 1	14.25000	38.50000	-3.50000	0.02769	-3.7250	-15.273E-6
-0.067883 1.2434E-6						
1 Displacement Grid 1	15.25000	38.50000	-3.50000	0.02629	-3.7250	-18.090E-6
-0.074862 1.3711E-6						
1 Displacement Grid 1	16.25000	38.50000	-3.50000	0.02448	-3.7250	-21.211E-6
-0.082073 1.5031E-6						
1 Displacement Grid 1	17.25000	38.50000	-3.50000	0.02234	-3.7250	-24.549E-6
-0.089307 1.6355E-6						
1 Displacement Grid 1	18.25000	38.50000	-3.50000	0.02000	-3.7250	-27.960E-6
-0.096288 1.7632E-6						
1 Displacement Grid 1	19.25000	38.50000	-3.50000	0.01766	-3.7250	-31.245E-6
-0.10269 1.8803E-6						
1 Displacement Grid 1	20.25000	38.50000	-3.50000	0.01553	-3.7250	-34.166E-6
-0.10816 1.9803E-6						
1 Displacement Grid 1	21.25000	38.50000	-3.50000	0.01381	-3.7250	-36.475E-6
-0.11234 2.0569E-6						
1 Displacement Grid 1	22.25000	38.50000	-3.50000	0.01269	-3.7250	-37.955E-6
-0.11497 2.1049E-6						
1 Displacement Grid 1	23.25000	38.50000	-3.50000	0.01230	-3.7250	-38.456E-6
-0.11583 2.1207E-6						
1 Displacement Grid 1	24.25000	38.50000	-3.50000	0.01269	-3.7250	-37.927E-6
-0.11487 2.1031E-6						
1 Displacement Grid 1	25.25000	38.50000	-3.50000	0.01380	-3.7250	-36.421E-6
-0.11215 2.0535E-6						
1 Displacement Grid 1	26.25000	38.50000	-3.50000	0.01551	-3.7250	-34.088E-6
-0.10788 1.9753E-6						
1 Displacement Grid 1	27.25000	38.50000	-3.50000	0.01764	-3.7250	-31.148E-6
-0.10234 1.8739E-6						
1 Displacement Grid 1	28.25000	38.50000	-3.50000	0.01996	-3.7250	-27.849E-6
-0.095877 1.7557E-6						
1 Displacement Grid 1	29.25000	38.50000	-3.50000	0.02228	-3.7250	-24.429E-6
-0.088849 1.6271E-6						
1 Displacement Grid 1	30.25000	38.50000	-3.50000	0.02440	-3.7250	-21.086E-6
-0.081583 1.4941E-6						
1 Displacement Grid 1	31.25000	38.50000	-3.50000	0.02619	-3.7250	-17.965E-6
-0.074353 1.3618E-6						
1 Displacement Grid 1	32.25000	38.50000	-3.50000	0.02757	-3.7250	-15.152E-6
-0.067368 1.2340E-6						
1 Displacement Grid 1	33.25000	38.50000	-3.50000	0.02851	-3.7250	-12.685E-6
-0.060772 1.1132E-6						
1 Displacement Grid 1	34.25000	38.50000	-3.50000	0.02901	-3.7250	-10.565E-6
-0.054653 1.0012E-6						
1 Displacement Grid 1	35.25000	38.50000	-3.50000	0.02910	-3.7250	-8.7725E-6
-0.049054 898.67E-9						
1 Displacement Grid 1	36.25000	38.50000	-3.50000	0.02884	-3.7250	-7.2733E-6
-0.043981 805.79E-9						
1 Displacement Grid 1	37.25000	38.50000	-3.50000	0.02829	-3.7250	-6.0294E-6
-0.039421 722.28E-9						
1 Displacement Grid 1	38.25000	38.50000	-3.50000	0.02751	-3.7250	-5.0026E-6
-0.035344 647.61E-9						
1 Displacement Grid 1	39.25000	38.50000	-3.50000	0.02655	-3.7250	-4.1575E-6
-0.031713 581.10E-9						
1 Displacement Grid 1	40.25000	38.50000	-3.50000	0.02548	-3.7250	-3.4630E-6
-0.028488 522.02E-9						
1 Displacement Grid 1	41.25000	38.50000	-3.50000	0.02432	-3.7250	-2.8924E-6
-0.025626 469.60E-9						
1 Displacement Grid 1	42.25000	38.50000	-3.50000	0.02312	-3.7250	-2.4232E-6
-0.023090 423.13E-9						
1 Displacement Grid 1	43.25000	38.50000	-3.50000	0.02191	-3.7250	-2.0367E-6
-0.020841 381.94E-9						
1 Displacement Grid 1	44.25000	38.50000	-3.50000	0.02071	-3.7250	-1.7177E-6
-0.018847 345.40E-9						
1 Displacement Grid 1	45.25000	38.50000	-3.50000	0.01953	-3.7250	-1.4537E-6
-0.017076 312.96E-9						
1 Displacement Grid 1	46.25000	38.50000	-3.50000	0.01839	-3.7250	-1.2347E-6
-0.015503 284.13E-9						
1 Displacement Grid 1	0.25000	39.50000	-3.50000	0.01786	-3.7250	-1.1370E-6

-0.014792	271.11E-9						
1	Displacement Grid 1	1.25000	39.50000	-3.50000	0.01895	-3.7250	-1.3295E-6
-0.016229	297.43E-9						
1	Displacement Grid 1	2.25000	39.50000	-3.50000	0.02008	-3.7250	-1.5591E-6
-0.017834	326.84E-9						
1	Displacement Grid 1	3.25000	39.50000	-3.50000	0.02123	-3.7250	-1.8333E-6
-0.019628	359.70E-9						
1	Displacement Grid 1	4.25000	39.50000	-3.50000	0.02240	-3.7250	-2.1615E-6
-0.021633	396.44E-9						
1	Displacement Grid 1	5.25000	39.50000	-3.50000	0.02356	-3.7250	-2.5546E-6
-0.023873	437.49E-9						
1	Displacement Grid 1	6.25000	39.50000	-3.50000	0.02470	-3.7250	-3.0256E-6
-0.026375	483.32E-9						
1	Displacement Grid 1	7.25000	39.50000	-3.50000	0.02579	-3.7250	-3.5897E-6
-0.029164	534.42E-9						
1	Displacement Grid 1	8.25000	39.50000	-3.50000	0.02680	-3.7250	-4.2643E-6
-0.032266	591.23E-9						
1	Displacement Grid 1	9.25000	39.50000	-3.50000	0.02768	-3.7250	-5.0685E-6
-0.035704	654.19E-9						
1	Displacement Grid 1	10.25000	39.50000	-3.50000	0.02840	-3.7250	-6.0231E-6
-0.039495	723.62E-9						
1	Displacement Grid 1	11.25000	39.50000	-3.50000	0.02893	-3.7250	-7.1486E-6
-0.043648	799.69E-9						
1	Displacement Grid 1	12.25000	39.50000	-3.50000	0.02920	-3.7250	-8.4634E-6
-0.048160	882.31E-9						
1	Displacement Grid 1	13.25000	39.50000	-3.50000	0.02921	-3.7250	-9.9803E-6
-0.053007	971.05E-9						
1	Displacement Grid 1	14.25000	39.50000	-3.50000	0.02891	-3.7250	-11.702E-6
-0.058140	1.0650E-6						
1	Displacement Grid 1	15.25000	39.50000	-3.50000	0.02832	-3.7250	-13.614E-6
-0.063478	1.1628E-6						
1	Displacement Grid 1	16.25000	39.50000	-3.50000	0.02745	-3.7250	-15.682E-6
-0.068904	1.2621E-6						
1	Displacement Grid 1	17.25000	39.50000	-3.50000	0.02637	-3.7250	-17.842E-6
-0.074259	1.3601E-6						
1	Displacement Grid 1	18.25000	39.50000	-3.50000	0.02514	-3.7250	-20.002E-6
-0.079349	1.4533E-6						
1	Displacement Grid 1	19.25000	39.50000	-3.50000	0.02389	-3.7250	-22.043E-6
-0.083953	1.5375E-6						
1	Displacement Grid 1	20.25000	39.50000	-3.50000	0.02273	-3.7250	-23.828E-6
-0.087841	1.6086E-6						
1	Displacement Grid 1	21.25000	39.50000	-3.50000	0.02179	-3.7250	-25.222E-6
-0.090792	1.6627E-6						
1	Displacement Grid 1	22.25000	39.50000	-3.50000	0.02117	-3.7250	-26.108E-6
-0.092627	1.6962E-6						
1	Displacement Grid 1	23.25000	39.50000	-3.50000	0.02096	-3.7250	-26.406E-6
-0.093227	1.7072E-6						
1	Displacement Grid 1	24.25000	39.50000	-3.50000	0.02116	-3.7250	-26.088E-6
-0.092552	1.6949E-6						
1	Displacement Grid 1	25.25000	39.50000	-3.50000	0.02177	-3.7250	-25.184E-6
-0.090645	1.6600E-6						
1	Displacement Grid 1	26.25000	39.50000	-3.50000	0.02269	-3.7250	-23.774E-6
-0.087628	1.6048E-6						
1	Displacement Grid 1	27.25000	39.50000	-3.50000	0.02384	-3.7250	-21.975E-6
-0.083683	1.5326E-6						
1	Displacement Grid 1	28.25000	39.50000	-3.50000	0.02508	-3.7250	-19.924E-6
-0.079029	1.4474E-6						
1	Displacement Grid 1	29.25000	39.50000	-3.50000	0.02629	-3.7250	-17.757E-6
-0.073900	1.3535E-6						
1	Displacement Grid 1	30.25000	39.50000	-3.50000	0.02736	-3.7250	-15.593E-6
-0.068517	1.2550E-6						
1	Displacement Grid 1	31.25000	39.50000	-3.50000	0.02821	-3.7250	-13.524E-6
-0.063073	1.1553E-6						
1	Displacement Grid 1	32.25000	39.50000	-3.50000	0.02878	-3.7250	-11.613E-6
-0.057726	1.0574E-6						
1	Displacement Grid 1	33.25000	39.50000	-3.50000	0.02906	-3.7250	-9.8946E-6
-0.052592	963.45E-9						
1	Displacement Grid 1	34.25000	39.50000	-3.50000	0.02904	-3.7250	-8.3825E-6
-0.047751	874.81E-9						
1	Displacement Grid 1	35.25000	39.50000	-3.50000	0.02875	-3.7250	-7.0734E-6
-0.043250	792.40E-9						

1 Displacement Grid 1	36.25000	39.50000	-3.50000	0.02822	-3.7250	-5.9542E-6
-0.039112 716.62E-9						
1 Displacement Grid 1	37.25000	39.50000	-3.50000	0.02749	-3.7250	-5.0060E-6
-0.035340 647.52E-9						
1 Displacement Grid 1	38.25000	39.50000	-3.50000	0.02660	-3.7250	-4.2081E-6
-0.031922 584.93E-9						
1 Displacement Grid 1	39.25000	39.50000	-3.50000	0.02559	-3.7250	-3.5397E-6
-0.028842 528.50E-9						
1 Displacement Grid 1	40.25000	39.50000	-3.50000	0.02450	-3.7250	-2.9813E-6
-0.026074 477.81E-9						
1 Displacement Grid 1	41.25000	39.50000	-3.50000	0.02336	-3.7250	-2.5155E-6
-0.023594 432.36E-9						
1 Displacement Grid 1	42.25000	39.50000	-3.50000	0.02220	-3.7250	-2.1272E-6
-0.021374 391.69E-9						
1 Displacement Grid 1	43.25000	39.50000	-3.50000	0.02104	-3.7250	-1.8032E-6
-0.019389 355.32E-9						
1 Displacement Grid 1	44.25000	39.50000	-3.50000	0.01989	-3.7250	-1.5328E-6
-0.017614 322.81E-9						
1 Displacement Grid 1	45.25000	39.50000	-3.50000	0.01877	-3.7250	-1.3066E-6
-0.016027 293.73E-9						
1 Displacement Grid 1	46.25000	39.50000	-3.50000	0.01769	-3.7250	-1.1171E-6
-0.014607 267.70E-9						
1 Displacement Grid 1	0.25000	40.50000	-3.50000	0.01715	-3.7250	-1.0252E-6
-0.013907 254.89E-9						
1 Displacement Grid 1	1.25000	40.50000	-3.50000	0.01818	-3.7250	-1.1909E-6
-0.015199 278.57E-9						
1 Displacement Grid 1	2.25000	40.50000	-3.50000	0.01924	-3.7250	-1.3867E-6
-0.016633 304.84E-9						
1 Displacement Grid 1	3.25000	40.50000	-3.50000	0.02033	-3.7250	-1.6183E-6
-0.018225 334.00E-9						
1 Displacement Grid 1	4.25000	40.50000	-3.50000	0.02144	-3.7250	-1.8923E-6
-0.019990 366.34E-9						
1 Displacement Grid 1	5.25000	40.50000	-3.50000	0.02256	-3.7250	-2.2165E-6
-0.021946 402.18E-9						
1 Displacement Grid 1	6.25000	40.50000	-3.50000	0.02367	-3.7250	-2.6000E-6
-0.024110 441.82E-9						
1 Displacement Grid 1	7.25000	40.50000	-3.50000	0.02474	-3.7250	-3.0527E-6
-0.026499 485.59E-9						
1 Displacement Grid 1	8.25000	40.50000	-3.50000	0.02576	-3.7250	-3.5859E-6
-0.029128 533.76E-9						
1 Displacement Grid 1	9.25000	40.50000	-3.50000	0.02670	-3.7250	-4.2112E-6
-0.032009 586.53E-9						
1 Displacement Grid 1	10.25000	40.50000	-3.50000	0.02753	-3.7250	-4.9404E-6
-0.035149 644.03E-9						
1 Displacement Grid 1	11.25000	40.50000	-3.50000	0.02822	-3.7250	-5.7842E-6
-0.038545 706.22E-9						
1 Displacement Grid 1	12.25000	40.50000	-3.50000	0.02874	-3.7250	-6.7507E-6
-0.042184 772.88E-9						
1 Displacement Grid 1	13.25000	40.50000	-3.50000	0.02907	-3.7250	-7.8429E-6
-0.046040 843.49E-9						
1 Displacement Grid 1	14.25000	40.50000	-3.50000	0.02920	-3.7250	-9.0566E-6
-0.050066 917.20E-9						
1 Displacement Grid 1	15.25000	40.50000	-3.50000	0.02912	-3.7250	-10.377E-6
-0.054192 992.76E-9						
1 Displacement Grid 1	16.25000	40.50000	-3.50000	0.02885	-3.7250	-11.775E-6
-0.058326 1.0684E-6						
1 Displacement Grid 1	17.25000	40.50000	-3.50000	0.02842	-3.7250	-13.206E-6
-0.062351 1.1421E-6						
1 Displacement Grid 1	18.25000	40.50000	-3.50000	0.02788	-3.7250	-14.611E-6
-0.066129 1.2113E-6						
1 Displacement Grid 1	19.25000	40.50000	-3.50000	0.02729	-3.7250	-15.917E-6
-0.069507 1.2731E-6						
1 Displacement Grid 1	20.25000	40.50000	-3.50000	0.02673	-3.7250	-17.044E-6
-0.072331 1.3248E-6						
1 Displacement Grid 1	21.25000	40.50000	-3.50000	0.02626	-3.7250	-17.916E-6
-0.074458 1.3637E-6						
1 Displacement Grid 1	22.25000	40.50000	-3.50000	0.02595	-3.7250	-18.465E-6
-0.075774 1.3878E-6						
1 Displacement Grid 1	23.25000	40.50000	-3.50000	0.02584	-3.7250	-18.648E-6
-0.076201 1.3956E-6						
1 Displacement Grid 1	24.25000	40.50000	-3.50000	0.02594	-3.7250	-18.451E-6

-0.075716	1.3868E-6						
1 Displacement	Grid 1	25.25000	40.50000	-3.50000	0.02623	-3.7250	-17.889E-6
-0.074345	1.3617E-6						
1 Displacement	Grid 1	26.25000	40.50000	-3.50000	0.02668	-3.7250	-17.006E-6
-0.072165	1.3218E-6						
1 Displacement	Grid 1	27.25000	40.50000	-3.50000	0.02723	-3.7250	-15.869E-6
-0.069295	1.2692E-6						
1 Displacement	Grid 1	28.25000	40.50000	-3.50000	0.02781	-3.7250	-14.555E-6
-0.065877	1.2067E-6						
1 Displacement	Grid 1	29.25000	40.50000	-3.50000	0.02833	-3.7250	-13.144E-6
-0.062068	1.1369E-6						
1 Displacement	Grid 1	30.25000	40.50000	-3.50000	0.02875	-3.7250	-11.710E-6
-0.058018	1.0628E-6						
1 Displacement	Grid 1	31.25000	40.50000	-3.50000	0.02900	-3.7250	-10.310E-6
-0.053867	986.80E-9						
1 Displacement	Grid 1	32.25000	40.50000	-3.50000	0.02906	-3.7250	-8.9906E-6
-0.049731	911.07E-9						
1 Displacement	Grid 1	33.25000	40.50000	-3.50000	0.02892	-3.7250	-7.7786E-6
-0.045702	837.30E-9						
1 Displacement	Grid 1	34.25000	40.50000	-3.50000	0.02858	-3.7250	-6.6892E-6
-0.041848	766.72E-9						
1 Displacement	Grid 1	35.25000	40.50000	-3.50000	0.02805	-3.7250	-5.7265E-6
-0.038215	700.18E-9						
1 Displacement	Grid 1	36.25000	40.50000	-3.50000	0.02735	-3.7250	-4.8868E-6
-0.034829	638.17E-9						
1 Displacement	Grid 1	37.25000	40.50000	-3.50000	0.02652	-3.7250	-4.1620E-6
-0.031702	580.90E-9						
1 Displacement	Grid 1	38.25000	40.50000	-3.50000	0.02558	-3.7250	-3.5412E-6
-0.028836	528.40E-9						
1 Displacement	Grid 1	39.25000	40.50000	-3.50000	0.02455	-3.7250	-3.0125E-6
-0.026223	480.53E-9						
1 Displacement	Grid 1	40.25000	40.50000	-3.50000	0.02348	-3.7250	-2.5639E-6
-0.023850	437.06E-9						
1 Displacement	Grid 1	41.25000	40.50000	-3.50000	0.02237	-3.7250	-2.1844E-6
-0.021703	397.72E-9						
1 Displacement	Grid 1	42.25000	40.50000	-3.50000	0.02126	-3.7250	-1.8638E-6
-0.019763	362.19E-9						
1 Displacement	Grid 1	43.25000	40.50000	-3.50000	0.02015	-3.7250	-1.5931E-6
-0.018014	330.14E-9						
1 Displacement	Grid 1	44.25000	40.50000	-3.50000	0.01907	-3.7250	-1.3645E-6
-0.016438	301.27E-9						
1 Displacement	Grid 1	45.25000	40.50000	-3.50000	0.01801	-3.7250	-1.1714E-6
-0.015019	275.26E-9						
1 Displacement	Grid 1	46.25000	40.50000	-3.50000	0.01699	-3.7250	-1.0080E-6
-0.013740	251.83E-9						
1 Displacement	Grid 1	0.25000	41.50000	-3.50000	0.01644	-3.7250	-922.35E-9
-0.013058	239.34E-9						
1 Displacement	Grid 1	1.25000	41.50000	-3.50000	0.01740	-3.7250	-1.0647E-6
-0.014219	260.60E-9						
1 Displacement	Grid 1	2.25000	41.50000	-3.50000	0.01840	-3.7250	-1.2313E-6
-0.015498	284.03E-9						
1 Displacement	Grid 1	3.25000	41.50000	-3.50000	0.01943	-3.7250	-1.4263E-6
-0.016907	309.86E-9						
1 Displacement	Grid 1	4.25000	41.50000	-3.50000	0.02048	-3.7250	-1.6547E-6
-0.018459	338.29E-9						
1 Displacement	Grid 1	5.25000	41.50000	-3.50000	0.02154	-3.7250	-1.9217E-6
-0.020164	369.53E-9						
1 Displacement	Grid 1	6.25000	41.50000	-3.50000	0.02260	-3.7250	-2.2336E-6
-0.022035	403.81E-9						
1 Displacement	Grid 1	7.25000	41.50000	-3.50000	0.02364	-3.7250	-2.5970E-6
-0.024082	441.30E-9						
1 Displacement	Grid 1	8.25000	41.50000	-3.50000	0.02465	-3.7250	-3.0189E-6
-0.026312	482.16E-9						
1 Displacement	Grid 1	9.25000	41.50000	-3.50000	0.02560	-3.7250	-3.5062E-6
-0.028730	526.45E-9						
1 Displacement	Grid 1	10.25000	41.50000	-3.50000	0.02648	-3.7250	-4.0654E-6
-0.031336	574.19E-9						
1 Displacement	Grid 1	11.25000	41.50000	-3.50000	0.02726	-3.7250	-4.7015E-6
-0.034122	625.23E-9						
1 Displacement	Grid 1	12.25000	41.50000	-3.50000	0.02792	-3.7250	-5.4173E-6
-0.037073	679.27E-9						



1 Displacement Grid 1	13.25000	41.50000	-3.50000	0.02845	-3.7250	-6.2117E-6
-0.040160 735.81E-9						
1 Displacement Grid 1	14.25000	41.50000	-3.50000	0.02883	-3.7250	-7.0783E-6
-0.043343 794.10E-9						
1 Displacement Grid 1	15.25000	41.50000	-3.50000	0.02907	-3.7250	-8.0036E-6
-0.046564 853.09E-9						
1 Displacement Grid 1	16.25000	41.50000	-3.50000	0.02916	-3.7250	-8.9659E-6
-0.049752 911.47E-9						
1 Displacement Grid 1	17.25000	41.50000	-3.50000	0.02913	-3.7250	-9.9347E-6
-0.052820 967.63E-9						
1 Displacement Grid 1	18.25000	41.50000	-3.50000	0.02900	-3.7250	-10.871E-6
-0.055667 1.0198E-6						
1 Displacement Grid 1	19.25000	41.50000	-3.50000	0.02882	-3.7250	-11.729E-6
-0.058189 1.0659E-6						
1 Displacement Grid 1	20.25000	41.50000	-3.50000	0.02861	-3.7250	-12.462E-6
-0.060280 1.1042E-6						
1 Displacement Grid 1	21.25000	41.50000	-3.50000	0.02843	-3.7250	-13.023E-6
-0.061845 1.1329E-6						
1 Displacement Grid 1	22.25000	41.50000	-3.50000	0.02830	-3.7250	-13.374E-6
-0.062808 1.1505E-6						
1 Displacement Grid 1	23.25000	41.50000	-3.50000	0.02825	-3.7250	-13.491E-6
-0.063120 1.1562E-6						
1 Displacement Grid 1	24.25000	41.50000	-3.50000	0.02829	-3.7250	-13.365E-6
-0.062763 1.1497E-6						
1 Displacement Grid 1	25.25000	41.50000	-3.50000	0.02840	-3.7250	-13.004E-6
-0.061756 1.1312E-6						
1 Displacement Grid 1	26.25000	41.50000	-3.50000	0.02857	-3.7250	-12.435E-6
-0.060150 1.1018E-6						
1 Displacement Grid 1	27.25000	41.50000	-3.50000	0.02876	-3.7250	-11.695E-6
-0.058022 1.0629E-6						
1 Displacement Grid 1	28.25000	41.50000	-3.50000	0.02893	-3.7250	-10.831E-6
-0.055467 1.0161E-6						
1 Displacement Grid 1	29.25000	41.50000	-3.50000	0.02904	-3.7250	-9.8898E-6
-0.052593 963.48E-9						
1 Displacement Grid 1	30.25000	41.50000	-3.50000	0.02906	-3.7250	-8.9181E-6
-0.049505 906.93E-9						
1 Displacement Grid 1	31.25000	41.50000	-3.50000	0.02895	-3.7250	-7.9542E-6
-0.046301 848.27E-9						
1 Displacement Grid 1	32.25000	41.50000	-3.50000	0.02870	-3.7250	-7.0287E-6
-0.043070 789.10E-9						
1 Displacement Grid 1	33.25000	41.50000	-3.50000	0.02831	-3.7250	-6.1630E-6
-0.039883 730.73E-9						
1 Displacement Grid 1	34.25000	41.50000	-3.50000	0.02777	-3.7250	-5.3703E-6
-0.036795 674.18E-9						
1 Displacement Grid 1	35.25000	41.50000	-3.50000	0.02710	-3.7250	-4.6568E-6
-0.033848 620.19E-9						
1 Displacement Grid 1	36.25000	41.50000	-3.50000	0.02631	-3.7250	-4.0235E-6
-0.031067 569.27E-9						
1 Displacement Grid 1	37.25000	41.50000	-3.50000	0.02543	-3.7250	-3.4674E-6
-0.028470 521.70E-9						
1 Displacement Grid 1	38.25000	41.50000	-3.50000	0.02448	-3.7250	-2.9832E-6
-0.026063 477.59E-9						
1 Displacement Grid 1	39.25000	41.50000	-3.50000	0.02347	-3.7250	-2.5646E-6
-0.023844 436.96E-9						
1 Displacement Grid 1	40.25000	41.50000	-3.50000	0.02243	-3.7250	-2.2043E-6
-0.021810 399.70E-9						
1 Displacement Grid 1	41.25000	41.50000	-3.50000	0.02137	-3.7250	-1.8953E-6
-0.019953 365.66E-9						
1 Displacement Grid 1	42.25000	41.50000	-3.50000	0.02031	-3.7250	-1.6310E-6
-0.018260 334.65E-9						
1 Displacement Grid 1	43.25000	41.50000	-3.50000	0.01926	-3.7250	-1.4053E-6
-0.016721 306.45E-9						
1 Displacement Grid 1	44.25000	41.50000	-3.50000	0.01824	-3.7250	-1.2126E-6
-0.015325 280.86E-9						
1 Displacement Grid 1	45.25000	41.50000	-3.50000	0.01724	-3.7250	-1.0481E-6
-0.014058 257.65E-9						
1 Displacement Grid 1	46.25000	41.50000	-3.50000	0.01628	-3.7250	-907.65E-9
-0.012909 236.60E-9						
1 Displacement Grid 1	0.25000	42.50000	-3.50000	0.01573	-3.7250	-828.46E-9
-0.012249 224.51E-9						
1 Displacement Grid 1	1.25000	42.50000	-3.50000	0.01663	-3.7250	-950.42E-9

-0.013289	243.56E-9						
1 Displacement	Grid 1	2.25000	42.50000	-3.50000	0.01756	-3.7250	-1.0919E-6
-0.014428	264.44E-9						
1 Displacement	Grid 1	3.25000	42.50000	-3.50000	0.01853	-3.7250	-1.2559E-6
-0.015675	287.28E-9						
1 Displacement	Grid 1	4.25000	42.50000	-3.50000	0.01952	-3.7250	-1.4459E-6
-0.017038	312.25E-9						
1 Displacement	Grid 1	5.25000	42.50000	-3.50000	0.02052	-3.7250	-1.6658E-6
-0.018524	339.49E-9						
1 Displacement	Grid 1	6.25000	42.50000	-3.50000	0.02152	-3.7250	-1.9195E-6
-0.020142	369.12E-9						
1 Displacement	Grid 1	7.25000	42.50000	-3.50000	0.02251	-3.7250	-2.2114E-6
-0.021896	401.26E-9						
1 Displacement	Grid 1	8.25000	42.50000	-3.50000	0.02349	-3.7250	-2.5459E-6
-0.023789	435.95E-9						
1 Displacement	Grid 1	9.25000	42.50000	-3.50000	0.02443	-3.7250	-2.9267E-6
-0.025823	473.20E-9						
1 Displacement	Grid 1	10.25000	42.50000	-3.50000	0.02531	-3.7250	-3.3574E-6
-0.027992	512.94E-9						
1 Displacement	Grid 1	11.25000	42.50000	-3.50000	0.02612	-3.7250	-3.8399E-6
-0.030288	554.99E-9						
1 Displacement	Grid 1	12.25000	42.50000	-3.50000	0.02686	-3.7250	-4.3742E-6
-0.032692	599.03E-9						
1 Displacement	Grid 1	13.25000	42.50000	-3.50000	0.02749	-3.7250	-4.9577E-6
-0.035180	644.60E-9						
1 Displacement	Grid 1	14.25000	42.50000	-3.50000	0.02802	-3.7250	-5.5840E-6
-0.037716	691.05E-9						
1 Displacement	Grid 1	15.25000	42.50000	-3.50000	0.02843	-3.7250	-6.2420E-6
-0.040255	737.55E-9						
1 Displacement	Grid 1	16.25000	42.50000	-3.50000	0.02874	-3.7250	-6.9158E-6
-0.042741	783.07E-9						
1 Displacement	Grid 1	17.25000	42.50000	-3.50000	0.02895	-3.7250	-7.5844E-6
-0.045109	826.43E-9						
1 Displacement	Grid 1	18.25000	42.50000	-3.50000	0.02906	-3.7250	-8.2219E-6
-0.047286	866.31E-9						
1 Displacement	Grid 1	19.25000	42.50000	-3.50000	0.02912	-3.7250	-8.7995E-6
-0.049199	901.33E-9						
1 Displacement	Grid 1	20.25000	42.50000	-3.50000	0.02912	-3.7250	-9.2876E-6
-0.050773	930.16E-9						
1 Displacement	Grid 1	21.25000	42.50000	-3.50000	0.02911	-3.7250	-9.6585E-6
-0.051946	951.62E-9						
1 Displacement	Grid 1	22.25000	42.50000	-3.50000	0.02908	-3.7250	-9.8895E-6
-0.052663	964.77E-9						
1 Displacement	Grid 1	23.25000	42.50000	-3.50000	0.02907	-3.7250	-9.9659E-6
-0.052894	968.99E-9						
1 Displacement	Grid 1	24.25000	42.50000	-3.50000	0.02907	-3.7250	-9.8825E-6
-0.052627	964.10E-9						
1 Displacement	Grid 1	25.25000	42.50000	-3.50000	0.02908	-3.7250	-9.6448E-6
-0.051874	950.32E-9						
1 Displacement	Grid 1	26.25000	42.50000	-3.50000	0.02908	-3.7250	-9.2677E-6
-0.050669	928.25E-9						
1 Displacement	Grid 1	27.25000	42.50000	-3.50000	0.02906	-3.7250	-8.7742E-6
-0.049065	898.87E-9						
1 Displacement	Grid 1	28.25000	42.50000	-3.50000	0.02899	-3.7250	-8.1921E-6
-0.047126	863.37E-9						
1 Displacement	Grid 1	29.25000	42.50000	-3.50000	0.02886	-3.7250	-7.5512E-6
-0.044926	823.08E-9						
1 Displacement	Grid 1	30.25000	42.50000	-3.50000	0.02864	-3.7250	-6.8802E-6
-0.042540	779.40E-9						
1 Displacement	Grid 1	31.25000	42.50000	-3.50000	0.02832	-3.7250	-6.2050E-6
-0.040041	733.62E-9						
1 Displacement	Grid 1	32.25000	42.50000	-3.50000	0.02789	-3.7250	-5.5465E-6
-0.037492	686.95E-9						
1 Displacement	Grid 1	33.25000	42.50000	-3.50000	0.02736	-3.7250	-4.9205E-6
-0.034951	640.40E-9						
1 Displacement	Grid 1	34.25000	42.50000	-3.50000	0.02671	-3.7250	-4.3380E-6
-0.032461	594.80E-9						
1 Displacement	Grid 1	35.25000	42.50000	-3.50000	0.02598	-3.7250	-3.8051E-6
-0.030058	550.78E-9						
1 Displacement	Grid 1	36.25000	42.50000	-3.50000	0.02516	-3.7250	-3.3245E-6
-0.027766	508.80E-9						

1 Displacement Grid 1	37.25000	42.50000	-3.50000	0.02427	-3.7250	-2.8959E-6
-0.025603 469.17E-9						
1 Displacement Grid 1	38.25000	42.50000	-3.50000	0.02333	-3.7250	-2.5173E-6
-0.023577 432.05E-9						
1 Displacement Grid 1	39.25000	42.50000	-3.50000	0.02235	-3.7250	-2.1852E-6
-0.021692 397.52E-9						
1 Displacement Grid 1	40.25000	42.50000	-3.50000	0.02136	-3.7250	-1.8955E-6
-0.019947 365.56E-9						
1 Displacement Grid 1	41.25000	42.50000	-3.50000	0.02036	-3.7250	-1.6440E-6
-0.018340 336.11E-9						
1 Displacement Grid 1	42.25000	42.50000	-3.50000	0.01936	-3.7250	-1.4263E-6
-0.016864 309.06E-9						
1 Displacement Grid 1	43.25000	42.50000	-3.50000	0.01838	-3.7250	-1.2382E-6
-0.015511 284.28E-9						
1 Displacement Grid 1	44.25000	42.50000	-3.50000	0.01742	-3.7250	-1.0761E-6
-0.014275 261.63E-9						
1 Displacement Grid 1	45.25000	42.50000	-3.50000	0.01648	-3.7250	-936.28E-9
-0.013146 240.93E-9						
1 Displacement Grid 1	46.25000	42.50000	-3.50000	0.01559	-3.7250	-815.86E-9
-0.012116 222.06E-9						
1 Displacement Grid 1	0.25000	43.50000	-3.50000	0.01502	-3.7250	-743.17E-9
-0.011482 210.44E-9						
1 Displacement Grid 1	1.25000	43.50000	-3.50000	0.01587	-3.7250	-847.49E-9
-0.012412 227.50E-9						
1 Displacement Grid 1	2.25000	43.50000	-3.50000	0.01674	-3.7250	-967.43E-9
-0.013426 246.07E-9						
1 Displacement Grid 1	3.25000	43.50000	-3.50000	0.01764	-3.7250	-1.1052E-6
-0.014528 266.27E-9						
1 Displacement Grid 1	4.25000	43.50000	-3.50000	0.01856	-3.7250	-1.2633E-6
-0.015724 288.19E-9						
1 Displacement Grid 1	5.25000	43.50000	-3.50000	0.01950	-3.7250	-1.4443E-6
-0.017020 311.93E-9						
1 Displacement Grid 1	6.25000	43.50000	-3.50000	0.02044	-3.7250	-1.6508E-6
-0.018419 337.56E-9						
1 Displacement Grid 1	7.25000	43.50000	-3.50000	0.02138	-3.7250	-1.8857E-6
-0.019923 365.12E-9						
1 Displacement Grid 1	8.25000	43.50000	-3.50000	0.02231	-3.7250	-2.1515E-6
-0.021534 394.63E-9						
1 Displacement Grid 1	9.25000	43.50000	-3.50000	0.02321	-3.7250	-2.4502E-6
-0.023248 426.03E-9						
1 Displacement Grid 1	10.25000	43.50000	-3.50000	0.02407	-3.7250	-2.7835E-6
-0.025060 459.22E-9						
1 Displacement Grid 1	11.25000	43.50000	-3.50000	0.02489	-3.7250	-3.1518E-6
-0.026959 494.01E-9						
1 Displacement Grid 1	12.25000	43.50000	-3.50000	0.02564	-3.7250	-3.5538E-6
-0.028928 530.08E-9						
1 Displacement Grid 1	13.25000	43.50000	-3.50000	0.02632	-3.7250	-3.9866E-6
-0.030946 567.04E-9						
1 Displacement Grid 1	14.25000	43.50000	-3.50000	0.02692	-3.7250	-4.4444E-6
-0.032982 604.35E-9						
1 Displacement Grid 1	15.25000	43.50000	-3.50000	0.02743	-3.7250	-4.9188E-6
-0.035002 641.33E-9						
1 Displacement Grid 1	16.25000	43.50000	-3.50000	0.02785	-3.7250	-5.3980E-6
-0.036960 677.20E-9						
1 Displacement Grid 1	17.25000	43.50000	-3.50000	0.02818	-3.7250	-5.8675E-6
-0.038809 711.07E-9						
1 Displacement Grid 1	18.25000	43.50000	-3.50000	0.02844	-3.7250	-6.3101E-6
-0.040496 741.96E-9						
1 Displacement Grid 1	19.25000	43.50000	-3.50000	0.02862	-3.7250	-6.7070E-6
-0.041967 768.90E-9						
1 Displacement Grid 1	20.25000	43.50000	-3.50000	0.02875	-3.7250	-7.0396E-6
-0.043171 790.95E-9						
1 Displacement Grid 1	21.25000	43.50000	-3.50000	0.02883	-3.7250	-7.2907E-6
-0.044063 807.28E-9						
1 Displacement Grid 1	22.25000	43.50000	-3.50000	0.02887	-3.7250	-7.4463E-6
-0.044607 817.24E-9						
1 Displacement Grid 1	23.25000	43.50000	-3.50000	0.02888	-3.7250	-7.4975E-6
-0.044781 820.43E-9						
1 Displacement Grid 1	24.25000	43.50000	-3.50000	0.02885	-3.7250	-7.4411E-6
-0.044578 816.71E-9						
1 Displacement Grid 1	25.25000	43.50000	-3.50000	0.02880	-3.7250	-7.2806E-6

-0.044006	806.23E-9						
1 Displacement Grid 1		26.25000	43.50000	-3.50000	0.02871	-3.7250	-7.0250E-6
-0.043087	789.41E-9						
1 Displacement Grid 1		27.25000	43.50000	-3.50000	0.02857	-3.7250	-6.6883E-6
-0.041859	766.92E-9						
1 Displacement Grid 1		28.25000	43.50000	-3.50000	0.02837	-3.7250	-6.2880E-6
-0.040366	739.58E-9						
1 Displacement Grid 1		29.25000	43.50000	-3.50000	0.02810	-3.7250	-5.8427E-6
-0.038661	708.34E-9						
1 Displacement Grid 1		30.25000	43.50000	-3.50000	0.02775	-3.7250	-5.3712E-6
-0.036796	674.20E-9						
1 Displacement Grid 1		31.25000	43.50000	-3.50000	0.02732	-3.7250	-4.8907E-6
-0.034826	638.11E-9						
1 Displacement Grid 1		32.25000	43.50000	-3.50000	0.02680	-3.7250	-4.4158E-6
-0.032798	600.97E-9						
1 Displacement Grid 1		33.25000	43.50000	-3.50000	0.02619	-3.7250	-3.9580E-6
-0.030755	563.56E-9						
1 Displacement Grid 1		34.25000	43.50000	-3.50000	0.02551	-3.7250	-3.5257E-6
-0.028735	526.55E-9						
1 Displacement Grid 1		35.25000	43.50000	-3.50000	0.02475	-3.7250	-3.1245E-6
-0.026765	490.47E-9						
1 Displacement Grid 1		36.25000	43.50000	-3.50000	0.02393	-3.7250	-2.7575E-6
-0.024869	455.72E-9						
1 Displacement Grid 1		37.25000	43.50000	-3.50000	0.02306	-3.7250	-2.4257E-6
-0.023061	422.60E-9						
1 Displacement Grid 1		38.25000	43.50000	-3.50000	0.02216	-3.7250	-2.1285E-6
-0.021352	391.29E-9						
1 Displacement Grid 1		39.25000	43.50000	-3.50000	0.02123	-3.7250	-1.8644E-6
-0.019747	361.90E-9						
1 Displacement Grid 1		40.25000	43.50000	-3.50000	0.02029	-3.7250	-1.6312E-6
-0.018250	334.47E-9						
1 Displacement Grid 1		41.25000	43.50000	-3.50000	0.01935	-3.7250	-1.4263E-6
-0.016859	308.98E-9						
1 Displacement Grid 1		42.25000	43.50000	-3.50000	0.01842	-3.7250	-1.2470E-6
-0.015572	285.39E-9						
1 Displacement Grid 1		43.25000	43.50000	-3.50000	0.01750	-3.7250	-1.0904E-6
-0.014384	263.62E-9						
1 Displacement Grid 1		44.25000	43.50000	-3.50000	0.01660	-3.7250	-954.06E-9
-0.013290	243.57E-9						
1 Displacement Grid 1		45.25000	43.50000	-3.50000	0.01573	-3.7250	-835.46E-9
-0.012284	225.15E-9						
1 Displacement Grid 1		46.25000	43.50000	-3.50000	0.01490	-3.7250	-732.37E-9
-0.011362	208.24E-9						
1 Displacement Grid 1		0.25000	44.50000	-3.50000	0.01434	-3.7250	-666.04E-9
-0.010756	197.14E-9						
1 Displacement Grid 1		1.25000	44.50000	-3.50000	0.01512	-3.7250	-755.15E-9
-0.011588	212.40E-9						
1 Displacement Grid 1		2.25000	44.50000	-3.50000	0.01593	-3.7250	-856.77E-9
-0.012489	228.91E-9						
1 Displacement Grid 1		3.25000	44.50000	-3.50000	0.01677	-3.7250	-972.47E-9
-0.013463	246.76E-9						
1 Displacement Grid 1		4.25000	44.50000	-3.50000	0.01762	-3.7250	-1.1040E-6
-0.014514	266.00E-9						
1 Displacement Grid 1		5.25000	44.50000	-3.50000	0.01850	-3.7250	-1.2530E-6
-0.015643	286.70E-9						
1 Displacement Grid 1		6.25000	44.50000	-3.50000	0.01938	-3.7250	-1.4214E-6
-0.016854	308.88E-9						
1 Displacement Grid 1		7.25000	44.50000	-3.50000	0.02025	-3.7250	-1.6108E-6
-0.018146	332.56E-9						
1 Displacement Grid 1		8.25000	44.50000	-3.50000	0.02113	-3.7250	-1.8226E-6
-0.019519	357.71E-9						
1 Displacement Grid 1		9.25000	44.50000	-3.50000	0.02198	-3.7250	-2.0579E-6
-0.020968	384.25E-9						
1 Displacement Grid 1		10.25000	44.50000	-3.50000	0.02281	-3.7250	-2.3171E-6
-0.022486	412.07E-9						
1 Displacement Grid 1		11.25000	44.50000	-3.50000	0.02360	-3.7250	-2.6000E-6
-0.024063	440.97E-9						
1 Displacement Grid 1		12.25000	44.50000	-3.50000	0.02434	-3.7250	-2.9049E-6
-0.025685	470.67E-9						
1 Displacement Grid 1		13.25000	44.50000	-3.50000	0.02502	-3.7250	-3.2289E-6
-0.027331	500.84E-9						

1 Displacement Grid 1	14.25000	44.50000	-3.50000	0.02564	-3.7250	-3.5674E-6
-0.028979 531.02E-9						
1 Displacement Grid 1	15.25000	44.50000	-3.50000	0.02619	-3.7250	-3.9137E-6
-0.030599 560.69E-9						
1 Displacement Grid 1	16.25000	44.50000	-3.50000	0.02666	-3.7250	-4.2595E-6
-0.032157 589.22E-9						
1 Displacement Grid 1	17.25000	44.50000	-3.50000	0.02706	-3.7250	-4.5945E-6
-0.033616 615.96E-9						
1 Displacement Grid 1	18.25000	44.50000	-3.50000	0.02739	-3.7250	-4.9072E-6
-0.034939 640.18E-9						
1 Displacement Grid 1	19.25000	44.50000	-3.50000	0.02764	-3.7250	-5.1852E-6
-0.036085 661.17E-9						
1 Displacement Grid 1	20.25000	44.50000	-3.50000	0.02783	-3.7250	-5.4164E-6
-0.037018 678.26E-9						
1 Displacement Grid 1	21.25000	44.50000	-3.50000	0.02796	-3.7250	-5.5899E-6
-0.037706 690.86E-9						
1 Displacement Grid 1	22.25000	44.50000	-3.50000	0.02803	-3.7250	-5.6970E-6
-0.038125 698.53E-9						
1 Displacement Grid 1	23.25000	44.50000	-3.50000	0.02805	-3.7250	-5.7321E-6
-0.038258 700.98E-9						
1 Displacement Grid 1	24.25000	44.50000	-3.50000	0.02802	-3.7250	-5.6932E-6
-0.038101 698.10E-9						
1 Displacement Grid 1	25.25000	44.50000	-3.50000	0.02793	-3.7250	-5.5824E-6
-0.037660 690.02E-9						
1 Displacement Grid 1	26.25000	44.50000	-3.50000	0.02779	-3.7250	-5.4055E-6
-0.036950 677.01E-9						
1 Displacement Grid 1	27.25000	44.50000	-3.50000	0.02759	-3.7250	-5.1712E-6
-0.035997 659.56E-9						
1 Displacement Grid 1	28.25000	44.50000	-3.50000	0.02732	-3.7250	-4.8905E-6
-0.034833 638.24E-9						
1 Displacement Grid 1	29.25000	44.50000	-3.50000	0.02699	-3.7250	-4.5757E-6
-0.033495 613.73E-9						
1 Displacement Grid 1	30.25000	44.50000	-3.50000	0.02658	-3.7250	-4.2391E-6
-0.032022 586.75E-9						
1 Displacement Grid 1	31.25000	44.50000	-3.50000	0.02609	-3.7250	-3.8922E-6
-0.030453 558.02E-9						
1 Displacement Grid 1	32.25000	44.50000	-3.50000	0.02554	-3.7250	-3.5453E-6
-0.028826 528.21E-9						
1 Displacement Grid 1	33.25000	44.50000	-3.50000	0.02491	-3.7250	-3.2067E-6
-0.027173 497.93E-9						
1 Displacement Grid 1	34.25000	44.50000	-3.50000	0.02422	-3.7250	-2.8829E-6
-0.025523 467.70E-9						
1 Displacement Grid 1	35.25000	44.50000	-3.50000	0.02347	-3.7250	-2.5785E-6
-0.023900 437.98E-9						
1 Displacement Grid 1	36.25000	44.50000	-3.50000	0.02268	-3.7250	-2.2965E-6
-0.022324 409.09E-9						
1 Displacement Grid 1	37.25000	44.50000	-3.50000	0.02185	-3.7250	-2.0382E-6
-0.020808 381.32E-9						
1 Displacement Grid 1	38.25000	44.50000	-3.50000	0.02099	-3.7250	-1.8040E-6
-0.019362 354.84E-9						
1 Displacement Grid 1	39.25000	44.50000	-3.50000	0.02012	-3.7250	-1.5934E-6
-0.017994 329.78E-9						
1 Displacement Grid 1	40.25000	44.50000	-3.50000	0.01924	-3.7250	-1.4053E-6
-0.016707 306.20E-9						
1 Displacement Grid 1	41.25000	44.50000	-3.50000	0.01836	-3.7250	-1.2382E-6
-0.015503 284.13E-9						
1 Displacement Grid 1	42.25000	44.50000	-3.50000	0.01749	-3.7250	-1.0904E-6
-0.014380 263.54E-9						
1 Displacement Grid 1	43.25000	44.50000	-3.50000	0.01664	-3.7250	-960.04E-9
-0.013336 244.42E-9						
1 Displacement Grid 1	44.25000	44.50000	-3.50000	0.01581	-3.7250	-845.46E-9
-0.012369 226.70E-9						
1 Displacement Grid 1	45.25000	44.50000	-3.50000	0.01500	-3.7250	-744.91E-9
-0.011474 210.30E-9						
1 Displacement Grid 1	46.25000	44.50000	-3.50000	0.01422	-3.7250	-656.78E-9
-0.010648 195.17E-9						
1 Displacement Grid 1	0.25000	45.50000	-3.50000	0.01367	-3.7250	-596.54E-9
-0.010072 184.61E-9						
1 Displacement Grid 1	1.25000	45.50000	-3.50000	0.01439	-3.7250	-672.61E-9
-0.010816 198.25E-9						
1 Displacement Grid 1	2.25000	45.50000	-3.50000	0.01515	-3.7250	-758.66E-9

-0.011617	212.93E-9						
1 Displacement	Grid 1	3.25000	45.50000	-3.50000	0.01592	-3.7250	-855.82E-9
-0.012478	228.70E-9						
1 Displacement	Grid 1	4.25000	45.50000	-3.50000	0.01671	-3.7250	-965.27E-9
-0.013400	245.60E-9						
1 Displacement	Grid 1	5.25000	45.50000	-3.50000	0.01752	-3.7250	-1.0882E-6
-0.014386	263.66E-9						
1 Displacement	Grid 1	6.25000	45.50000	-3.50000	0.01833	-3.7250	-1.2256E-6
-0.015435	282.88E-9						
1 Displacement	Grid 1	7.25000	45.50000	-3.50000	0.01915	-3.7250	-1.3787E-6
-0.016547	303.25E-9						
1 Displacement	Grid 1	8.25000	45.50000	-3.50000	0.01996	-3.7250	-1.5480E-6
-0.017719	324.73E-9						
1 Displacement	Grid 1	9.25000	45.50000	-3.50000	0.02076	-3.7250	-1.7341E-6
-0.018947	347.23E-9						
1 Displacement	Grid 1	10.25000	45.50000	-3.50000	0.02154	-3.7250	-1.9369E-6
-0.020224	370.62E-9						
1 Displacement	Grid 1	11.25000	45.50000	-3.50000	0.02229	-3.7250	-2.1556E-6
-0.021540	394.73E-9						
1 Displacement	Grid 1	12.25000	45.50000	-3.50000	0.02300	-3.7250	-2.3886E-6
-0.022882	419.33E-9						
1 Displacement	Grid 1	13.25000	45.50000	-3.50000	0.02367	-3.7250	-2.6334E-6
-0.024234	444.10E-9						
1 Displacement	Grid 1	14.25000	45.50000	-3.50000	0.02428	-3.7250	-2.8862E-6
-0.025576	468.69E-9						
1 Displacement	Grid 1	15.25000	45.50000	-3.50000	0.02483	-3.7250	-3.1421E-6
-0.026886	492.68E-9						
1 Displacement	Grid 1	16.25000	45.50000	-3.50000	0.02532	-3.7250	-3.3950E-6
-0.028136	515.58E-9						
1 Displacement	Grid 1	17.25000	45.50000	-3.50000	0.02574	-3.7250	-3.6376E-6
-0.029300	536.90E-9						
1 Displacement	Grid 1	18.25000	45.50000	-3.50000	0.02609	-3.7250	-3.8621E-6
-0.030348	556.10E-9						
1 Displacement	Grid 1	19.25000	45.50000	-3.50000	0.02637	-3.7250	-4.0601E-6
-0.031251	572.64E-9						
1 Displacement	Grid 1	20.25000	45.50000	-3.50000	0.02659	-3.7250	-4.2238E-6
-0.031983	586.05E-9						
1 Displacement	Grid 1	21.25000	45.50000	-3.50000	0.02674	-3.7250	-4.3460E-6
-0.032522	595.91E-9						
1 Displacement	Grid 1	22.25000	45.50000	-3.50000	0.02683	-3.7250	-4.4212E-6
-0.032848	601.89E-9						
1 Displacement	Grid 1	23.25000	45.50000	-3.50000	0.02686	-3.7250	-4.4457E-6
-0.032952	603.78E-9						
1 Displacement	Grid 1	24.25000	45.50000	-3.50000	0.02682	-3.7250	-4.4183E-6
-0.032829	601.54E-9						
1 Displacement	Grid 1	25.25000	45.50000	-3.50000	0.02672	-3.7250	-4.3404E-6
-0.032484	595.21E-9						
1 Displacement	Grid 1	26.25000	45.50000	-3.50000	0.02656	-3.7250	-4.2156E-6
-0.031928	585.03E-9						
1 Displacement	Grid 1	27.25000	45.50000	-3.50000	0.02633	-3.7250	-4.0495E-6
-0.031179	571.32E-9						
1 Displacement	Grid 1	28.25000	45.50000	-3.50000	0.02603	-3.7250	-3.8494E-6
-0.030261	554.50E-9						
1 Displacement	Grid 1	29.25000	45.50000	-3.50000	0.02567	-3.7250	-3.6233E-6
-0.029200	535.06E-9						
1 Displacement	Grid 1	30.25000	45.50000	-3.50000	0.02524	-3.7250	-3.3793E-6
-0.028025	513.54E-9						
1 Displacement	Grid 1	31.25000	45.50000	-3.50000	0.02474	-3.7250	-3.1256E-6
-0.026765	490.46E-9						
1 Displacement	Grid 1	32.25000	45.50000	-3.50000	0.02418	-3.7250	-2.8691E-6
-0.025448	466.34E-9						
1 Displacement	Grid 1	33.25000	45.50000	-3.50000	0.02356	-3.7250	-2.6160E-6
-0.024101	441.65E-9						
1 Displacement	Grid 1	34.25000	45.50000	-3.50000	0.02289	-3.7250	-2.3713E-6
-0.022745	416.82E-9						
1 Displacement	Grid 1	35.25000	45.50000	-3.50000	0.02218	-3.7250	-2.1386E-6
-0.021401	392.20E-9						
1 Displacement	Grid 1	36.25000	45.50000	-3.50000	0.02142	-3.7250	-1.9204E-6
-0.020085	368.09E-9						
1 Displacement	Grid 1	37.25000	45.50000	-3.50000	0.02064	-3.7250	-1.7183E-6
-0.018810	344.72E-9						

1 Displacement Grid 1	38.25000	45.50000	-3.50000	0.01984	-3.7250	-1.5330E-6
-0.017584 322.26E-9						
1 Displacement Grid 1	39.25000	45.50000	-3.50000	0.01903	-3.7250	-1.3645E-6
-0.016415 300.84E-9						
1 Displacement Grid 1	40.25000	45.50000	-3.50000	0.01821	-3.7250	-1.2124E-6
-0.015307 280.54E-9						
1 Displacement Grid 1	41.25000	45.50000	-3.50000	0.01740	-3.7250	-1.0759E-6
-0.014263 261.40E-9						
1 Displacement Grid 1	42.25000	45.50000	-3.50000	0.01659	-3.7250	-953.89E-9
-0.013282 243.44E-9						
1 Displacement Grid 1	43.25000	45.50000	-3.50000	0.01580	-3.7250	-845.37E-9
-0.012365 226.63E-9						
1 Displacement Grid 1	44.25000	45.50000	-3.50000	0.01503	-3.7250	-749.09E-9
-0.011510 210.96E-9						
1 Displacement Grid 1	45.25000	45.50000	-3.50000	0.01428	-3.7250	-663.88E-9
-0.010714 196.38E-9						
1 Displacement Grid 1	46.25000	45.50000	-3.50000	0.01356	-3.7250	-588.59E-9
-0.0099757 182.84E-9						
1 Displacement Grid 1	0.25000	46.50000	-3.50000	0.01301	-3.7250	-534.10E-9
-0.0094297 172.84E-9						
1 Displacement Grid 1	1.25000	46.50000	-3.50000	0.01369	-3.7250	-599.02E-9
-0.010095 185.03E-9						
1 Displacement Grid 1	2.25000	46.50000	-3.50000	0.01438	-3.7250	-671.89E-9
-0.010807 198.07E-9						
1 Displacement Grid 1	3.25000	46.50000	-3.50000	0.01510	-3.7250	-753.52E-9
-0.011567 212.01E-9						
1 Displacement Grid 1	4.25000	46.50000	-3.50000	0.01583	-3.7250	-844.68E-9
-0.012378 226.86E-9						
1 Displacement Grid 1	5.25000	46.50000	-3.50000	0.01657	-3.7250	-946.16E-9
-0.013238 242.64E-9						
1 Displacement Grid 1	6.25000	46.50000	-3.50000	0.01732	-3.7250	-1.0586E-6
-0.014149 259.32E-9						
1 Displacement Grid 1	7.25000	46.50000	-3.50000	0.01808	-3.7250	-1.1826E-6
-0.015107 276.88E-9						
1 Displacement Grid 1	8.25000	46.50000	-3.50000	0.01883	-3.7250	-1.3186E-6
-0.016111 295.27E-9						
1 Displacement Grid 1	9.25000	46.50000	-3.50000	0.01957	-3.7250	-1.4664E-6
-0.017155 314.39E-9						
1 Displacement Grid 1	10.25000	46.50000	-3.50000	0.02030	-3.7250	-1.6258E-6
-0.018232 334.14E-9						
1 Displacement Grid 1	11.25000	46.50000	-3.50000	0.02100	-3.7250	-1.7960E-6
-0.019335 354.35E-9						
1 Displacement Grid 1	12.25000	46.50000	-3.50000	0.02167	-3.7250	-1.9755E-6
-0.020452 374.80E-9						
1 Displacement Grid 1	13.25000	46.50000	-3.50000	0.02230	-3.7250	-2.1620E-6
-0.021569 395.27E-9						
1 Displacement Grid 1	14.25000	46.50000	-3.50000	0.02288	-3.7250	-2.3528E-6
-0.022670 415.44E-9						
1 Displacement Grid 1	15.25000	46.50000	-3.50000	0.02342	-3.7250	-2.5440E-6
-0.023737 434.98E-9						
1 Displacement Grid 1	16.25000	46.50000	-3.50000	0.02389	-3.7250	-2.7312E-6
-0.024749 453.53E-9						
1 Displacement Grid 1	17.25000	46.50000	-3.50000	0.02431	-3.7250	-2.9093E-6
-0.025685 470.68E-9						
1 Displacement Grid 1	18.25000	46.50000	-3.50000	0.02467	-3.7250	-3.0728E-6
-0.026524 486.04E-9						
1 Displacement Grid 1	19.25000	46.50000	-3.50000	0.02496	-3.7250	-3.2161E-6
-0.027243 499.23E-9						
1 Displacement Grid 1	20.25000	46.50000	-3.50000	0.02518	-3.7250	-3.3339E-6
-0.027824 509.87E-9						
1 Displacement Grid 1	21.25000	46.50000	-3.50000	0.02534	-3.7250	-3.4215E-6
-0.028250 517.66E-9						
1 Displacement Grid 1	22.25000	46.50000	-3.50000	0.02543	-3.7250	-3.4751E-6
-0.028507 522.38E-9						
1 Displacement Grid 1	23.25000	46.50000	-3.50000	0.02546	-3.7250	-3.4925E-6
-0.028589 523.87E-9						
1 Displacement Grid 1	24.25000	46.50000	-3.50000	0.02542	-3.7250	-3.4729E-6
-0.028492 522.09E-9						
1 Displacement Grid 1	25.25000	46.50000	-3.50000	0.02532	-3.7250	-3.4172E-6
-0.028219 517.09E-9						
1 Displacement Grid 1	26.25000	46.50000	-3.50000	0.02515	-3.7250	-3.3276E-6

-0.027779	509.03E-9						
1 Displacement Grid 1		27.25000	46.50000	-3.50000	0.02491	-3.7250	-3.2080E-6
-0.027184	498.13E-9						
1 Displacement Grid 1		28.25000	46.50000	-3.50000	0.02461	-3.7250	-3.0631E-6
-0.026452	484.72E-9						
1 Displacement Grid 1		29.25000	46.50000	-3.50000	0.02425	-3.7250	-2.8982E-6
-0.025602	469.15E-9						
1 Displacement Grid 1		30.25000	46.50000	-3.50000	0.02382	-3.7250	-2.7191E-6
-0.024656	451.82E-9						
1 Displacement Grid 1		31.25000	46.50000	-3.50000	0.02334	-3.7250	-2.5311E-6
-0.023635	433.13E-9						
1 Displacement Grid 1		32.25000	46.50000	-3.50000	0.02280	-3.7250	-2.3394E-6
-0.022562	413.47E-9						
1 Displacement Grid 1		33.25000	46.50000	-3.50000	0.02220	-3.7250	-2.1483E-6
-0.021456	393.21E-9						
1 Displacement Grid 1		34.25000	46.50000	-3.50000	0.02157	-3.7250	-1.9617E-6
-0.020336	372.68E-9						
1 Displacement Grid 1		35.25000	46.50000	-3.50000	0.02090	-3.7250	-1.7824E-6
-0.019218	352.19E-9						
1 Displacement Grid 1		36.25000	46.50000	-3.50000	0.02019	-3.7250	-1.6126E-6
-0.018114	331.97E-9						
1 Displacement Grid 1		37.25000	46.50000	-3.50000	0.01946	-3.7250	-1.4536E-6
-0.017037	312.23E-9						
1 Displacement Grid 1		38.25000	46.50000	-3.50000	0.01872	-3.7250	-1.3063E-6
-0.015994	293.13E-9						
1 Displacement Grid 1		39.25000	46.50000	-3.50000	0.01797	-3.7250	-1.1710E-6
-0.014993	274.79E-9						
1 Displacement Grid 1		40.25000	46.50000	-3.50000	0.01721	-3.7250	-1.0477E-6
-0.014038	257.28E-9						
1 Displacement Grid 1		41.25000	46.50000	-3.50000	0.01646	-3.7250	-935.93E-9
-0.013131	240.66E-9						
1 Displacement Grid 1		42.25000	46.50000	-3.50000	0.01572	-3.7250	-835.17E-9
-0.012274	224.96E-9						
1 Displacement Grid 1		43.25000	46.50000	-3.50000	0.01499	-3.7250	-744.71E-9
-0.011468	210.19E-9						
1 Displacement Grid 1		44.25000	46.50000	-3.50000	0.01428	-3.7250	-663.78E-9
-0.010711	196.33E-9						
1 Displacement Grid 1		45.25000	46.50000	-3.50000	0.01358	-3.7250	-591.57E-9
-0.010004	183.36E-9						
1 Displacement Grid 1		46.25000	46.50000	-3.50000	0.01291	-3.7250	-527.28E-9
-0.0093433	171.25E-9						
1 Displacement Grid 1		0.25000	47.50000	-3.50000	0.01238	-3.7250	-478.15E-9
-0.0088277	161.81E-9						
1 Displacement Grid 1		1.25000	47.50000	-3.50000	0.01300	-3.7250	-533.55E-9
-0.0094220	172.70E-9						
1 Displacement Grid 1		2.25000	47.50000	-3.50000	0.01364	-3.7250	-595.28E-9
-0.010055	184.30E-9						
1 Displacement Grid 1		3.25000	47.50000	-3.50000	0.01430	-3.7250	-663.91E-9
-0.010728	196.63E-9						
1 Displacement Grid 1		4.25000	47.50000	-3.50000	0.01498	-3.7250	-739.94E-9
-0.011440	209.69E-9						
1 Displacement Grid 1		5.25000	47.50000	-3.50000	0.01566	-3.7250	-823.88E-9
-0.012193	223.48E-9						
1 Displacement Grid 1		6.25000	47.50000	-3.50000	0.01635	-3.7250	-916.12E-9
-0.012984	237.97E-9						
1 Displacement Grid 1		7.25000	47.50000	-3.50000	0.01705	-3.7250	-1.0169E-6
-0.013812	253.14E-9						
1 Displacement Grid 1		8.25000	47.50000	-3.50000	0.01774	-3.7250	-1.1264E-6
-0.014673	268.92E-9						
1 Displacement Grid 1		9.25000	47.50000	-3.50000	0.01842	-3.7250	-1.2444E-6
-0.015563	285.24E-9						
1 Displacement Grid 1		10.25000	47.50000	-3.50000	0.01909	-3.7250	-1.3704E-6
-0.016476	301.97E-9						
1 Displacement Grid 1		11.25000	47.50000	-3.50000	0.01974	-3.7250	-1.5037E-6
-0.017405	318.97E-9						
1 Displacement Grid 1		12.25000	47.50000	-3.50000	0.02036	-3.7250	-1.6429E-6
-0.018338	336.08E-9						
1 Displacement Grid 1		13.25000	47.50000	-3.50000	0.02095	-3.7250	-1.7863E-6
-0.019266	353.08E-9						
1 Displacement Grid 1		14.25000	47.50000	-3.50000	0.02150	-3.7250	-1.9316E-6
-0.020175	369.73E-9						



1 Displacement Grid 1	15.25000	47.50000	-3.50000	0.02200	-3.7250	-2.0759E-6
-0.021050 385.77E-9						
1 Displacement Grid 1	16.25000	47.50000	-3.50000	0.02245	-3.7250	-2.2161E-6
-0.021876 400.90E-9						
1 Displacement Grid 1	17.25000	47.50000	-3.50000	0.02285	-3.7250	-2.3485E-6
-0.022636 414.82E-9						
1 Displacement Grid 1	18.25000	47.50000	-3.50000	0.02320	-3.7250	-2.4692E-6
-0.023313 427.23E-9						
1 Displacement Grid 1	19.25000	47.50000	-3.50000	0.02348	-3.7250	-2.5744E-6
-0.023892 437.83E-9						
1 Displacement Grid 1	20.25000	47.50000	-3.50000	0.02370	-3.7250	-2.6605E-6
-0.024358 446.36E-9						
1 Displacement Grid 1	21.25000	47.50000	-3.50000	0.02385	-3.7250	-2.7242E-6
-0.024698 452.60E-9						
1 Displacement Grid 1	22.25000	47.50000	-3.50000	0.02395	-3.7250	-2.7631E-6
-0.024903 456.36E-9						
1 Displacement Grid 1	23.25000	47.50000	-3.50000	0.02397	-3.7250	-2.7757E-6
-0.024968 457.55E-9						
1 Displacement Grid 1	24.25000	47.50000	-3.50000	0.02394	-3.7250	-2.7614E-6
-0.024890 456.12E-9						
1 Displacement Grid 1	25.25000	47.50000	-3.50000	0.02383	-3.7250	-2.7209E-6
-0.024672 452.12E-9						
1 Displacement Grid 1	26.25000	47.50000	-3.50000	0.02367	-3.7250	-2.6556E-6
-0.024320 445.67E-9						
1 Displacement Grid 1	27.25000	47.50000	-3.50000	0.02344	-3.7250	-2.5682E-6
-0.023843 436.92E-9						
1 Displacement Grid 1	28.25000	47.50000	-3.50000	0.02315	-3.7250	-2.4617E-6
-0.023253 426.13E-9						
1 Displacement Grid 1	29.25000	47.50000	-3.50000	0.02280	-3.7250	-2.3399E-6
-0.022566 413.54E-9						
1 Displacement Grid 1	30.25000	47.50000	-3.50000	0.02239	-3.7250	-2.2067E-6
-0.021798 399.47E-9						
1 Displacement Grid 1	31.25000	47.50000	-3.50000	0.02193	-3.7250	-2.0658E-6
-0.020965 384.21E-9						
1 Displacement Grid 1	32.25000	47.50000	-3.50000	0.02142	-3.7250	-1.9210E-6
-0.020084 368.07E-9						
1 Displacement Grid 1	33.25000	47.50000	-3.50000	0.02086	-3.7250	-1.7754E-6
-0.019171 351.33E-9						
1 Displacement Grid 1	34.25000	47.50000	-3.50000	0.02027	-3.7250	-1.6319E-6
-0.018240 334.27E-9						
1 Displacement Grid 1	35.25000	47.50000	-3.50000	0.01965	-3.7250	-1.4928E-6
-0.017304 317.13E-9						
1 Displacement Grid 1	36.25000	47.50000	-3.50000	0.01899	-3.7250	-1.3597E-6
-0.016375 300.10E-9						
1 Displacement Grid 1	37.25000	47.50000	-3.50000	0.01832	-3.7250	-1.2340E-6
-0.015462 283.37E-9						
1 Displacement Grid 1	38.25000	47.50000	-3.50000	0.01764	-3.7250	-1.1164E-6
-0.014572 267.08E-9						
1 Displacement Grid 1	39.25000	47.50000	-3.50000	0.01695	-3.7250	-1.0074E-6
-0.013712 251.32E-9						
1 Displacement Grid 1	40.25000	47.50000	-3.50000	0.01625	-3.7250	-907.06E-9
-0.012887 236.19E-9						
1 Displacement Grid 1	41.25000	47.50000	-3.50000	0.01556	-3.7250	-815.35E-9
-0.012098 221.74E-9						
1 Displacement Grid 1	42.25000	47.50000	-3.50000	0.01488	-3.7250	-731.96E-9
-0.011349 208.01E-9						
1 Displacement Grid 1	43.25000	47.50000	-3.50000	0.01420	-3.7250	-656.48E-9
-0.010639 195.01E-9						
1 Displacement Grid 1	44.25000	47.50000	-3.50000	0.01355	-3.7250	-588.40E-9
-0.0099701 182.74E-9						
1 Displacement Grid 1	45.25000	47.50000	-3.50000	0.01291	-3.7250	-527.19E-9
-0.0093407 171.21E-9						
1 Displacement Grid 1	46.25000	47.50000	-3.50000	0.01229	-3.7250	-472.29E-9
-0.0087501 160.38E-9						

## Results : Consolidation : Displacement Data : Grids

None

## **Results : Total : Displacement Data : Grids**

None

## Titles

Job No.: 18860  
Job Title: 28 Charlotte Street  
Sub-title:  
Calculation Heading: Long-term movements  
Initials: DVT  
Checker:  
Date Saved:  
Date Checked:  
Notes:  
File Name: 18860\_Alt\_Rev1.02.pdd  
File Path: C:\Users\soils-user\Documents\Valerio Tedesco\BIA\18860\_28  
Charlotte Street\Rev1.02

## History

Date	Time	By	Notes
26-Oct-2022	19:33	soils	New
26-Oct-2022	20:20	soils	
15-Jun-2023	12:15	soils-user	
20-Jun-2023	10:24	soils-user	
20-Jun-2023	10:25	soils-user	

## Analysis Options

### General

Global Poisson's ratio: 0.35  
Maximum allowable ratio between values of E: 1.5  
Horizontal rigid boundary level: -15.00 [m OD]  
Displacements at load centroids: Yes  
GSA piled raft data : No

### Elastic

Elastic : Yes

### Consolidation

Consolidation : No

### Soil Profiles Soil Profile 1

Layer ref.	Name	Level at top	Number of intermediate displacement levels	Youngs Modulus : Top	Youngs Modulus : Btm.	Poissons ratio	Non-linear curve
		[mOD]		[kN/m <sup>2</sup> ]	[kN/m <sup>2</sup> ]		
1	MG	0.0	11	18000.	18000.	0.33000	None
2	LHGR	-5.3000	5	40000.	40000.	0.30000	None
3	LCF	-7.7000	15	37500.	57940.	0.31000	None

### Soil Profiles Soil Profile 2

Layer ref.	Name	Level at top	Number of intermediate displacement levels	Youngs Modulus : Top	Youngs Modulus : Btm.	Poissons ratio	Non-linear curve
		[mOD]		[kN/m <sup>2</sup> ]	[kN/m <sup>2</sup> ]		
1	MG	-3.5000	4	18000.	18000.	0.33000	None
2	LHGR	-5.3000	5	40000.	40000.	0.30000	None
3	LCF	-7.7000	15	50000.	77375.	0.50000	None

## Soil Zones

Zone	Name	X min [m]	X max [m]	Y min [m]	Y max [m]	Profile
1	o1	0.0	20.000	0.0	48.000	Soil Profile 1
2	o2	20.000	26.500	28.000	48.000	Soil Profile 1
3	o3	26.500	46.500	0.0	48.000	Soil Profile 1
4	o4	20.000	26.500	0.0	20.000	Soil Profile 1
5	o5	24.900	26.500	20.000	21.300	Soil Profile 1
6	i1	20.000	24.900	20.000	28.000	Soil Profile 2
7	i2	24.900	26.500	21.300	28.000	Soil Profile 2

### Rectangular Load Data

Load Name	Orientation	Centre	Centre	Centre	Position	Position	Position	Value :	Value
ref.	of Plane	(Global)	(Global)	(Global)	: Angle	: Width	: Length	Normal	
Tangential	Tangential	: x	: y	: z	of local	x or	y	(local z)	(local
x)	(local y)	[m]	[m]	[m]	x from [Degrees]	Radius [m]	[m]	[kN/m <sup>2</sup> ]	
1	Exc1	Horizontal	22.45000	24.00000	-3.50000	0.0	4.9000	8.0000	-63.000
0.0	0.0								
2	Exc2	Horizontal	25.70000	24.65000	-3.50000	0.0	1.6000	6.7000	-63.000
0.0	0.0								

### Circular Load Data

Load Name	Orientation	Centre	Centre	Centre	Position	Position	No. of	Value :	
Value :	Value :	(Global)	(Global)	(Global)	: Angle	: Width	Rectangles	Normal	
Tangential	Tangential	: x	: y	: z	of local	x or		(local z)	
(local x)	(local y)	[m]	[m]	[m]	x from [Degrees]	Radius [m]		[kN/m <sup>2</sup> ]	
1	P1	Horizontal	20.70000	20.40000	-10.00000	0.0	0.30000	5	324.00
0.0	0.0								
2	P2	Horizontal	20.70000	22.20000	-10.00000	0.0	0.30000	5	324.00
0.0	0.0								
3	P3	Horizontal	20.70000	24.00000	-10.00000	0.0	0.30000	5	324.00
0.0	0.0								
4	P4	Horizontal	20.70000	25.80000	-10.00000	0.0	0.30000	5	324.00
0.0	0.0								
5	P5	Horizontal	20.70000	27.60000	-10.00000	0.0	0.30000	5	324.00
0.0	0.0								
6	P6	Horizontal	25.50000	27.60000	-10.00000	0.0	0.30000	5	372.00
0.0	0.0								
7	P7	Horizontal	25.50000	25.80000	-10.00000	0.0	0.30000	5	372.00
0.0	0.0								
8	P8	Horizontal	25.50000	24.00000	-10.00000	0.0	0.30000	5	372.00
0.0	0.0								
9	P9	Horizontal	25.50000	22.20000	-10.00000	0.0	0.30000	5	372.00
0.0	0.0								
10	P10	Horizontal	22.20000	27.60000	-10.00000	0.0	0.30000	5	324.00
0.0	0.0								
11	P11	Horizontal	23.70000	27.60000	-10.00000	0.0	0.30000	5	372.00
0.0	0.0								
12	P12	Horizontal	22.20000	20.40000	-10.00000	0.0	0.30000	5	241.00
0.0	0.0								
13	P13	Horizontal	23.70000	20.40000	-10.00000	0.0	0.30000	5	241.00
0.0	0.0								

### Displacement Lines

Name	X1	Y1	Z1	X2	Y2	Z2	Intervals	Calculate	Detailed
	[m]	[m]	[m]	[m]	[m]	[m]	[No.]		Results
CS1	20.00000	24.00000	-3.50000	14.50000	24.00000	-3.50000	20	Yes	Yes
CS2	20.00000	20.00000	-3.50000	26.50000	20.00000	-3.50000	20	Yes	Yes



8 P8 0.0036630	25.50000	24.00000	-10.00000	2.17694	-10.174	305.72	482.91
9 P9 0.0037086	25.50000	22.20000	-10.00000	2.19850	-10.174	307.62	483.21
10 P10 0.0031867	22.20000	27.60000	-10.00000	2.04888	-10.174	266.92	422.98
11 P11 0.0037032	23.70000	27.60000	-10.00000	2.38135	-10.174	308.43	486.29
12 P12 0.0023133	22.20000	20.40000	-10.00000	1.34759	-10.174	194.99	310.75
13 P13 0.0023271	23.70000	20.40000	-10.00000	1.24647	-10.174	194.88	308.78

## Results : Consolidation : Load Centres : Circular

None

## Results : Total : Load Centres : Circular

None

## Results : Immediate : Displacement Data : Lines

Ref. Vert.	Name	x	y	z	$\delta z$	Stress: Calc.	Stress: Vertical	Stress: Sum Princ.
Strain		[m]	[m]	[mOD]	[mm]	Level [mOD]	[kN/m <sup>2</sup> ]	[kN/m <sup>2</sup> ]
[ $\mu$ ]								
1 CS1 -821.22E-6		20.00000	24.00000	-3.50000	-4.26660	-3.6800	-31.499	-82.155
1 CS1 327.40E-6		19.72500	24.00000	-3.50000	-3.24961	-3.7250	-3.9206	-33.659
1 CS1 268.53E-6		19.45000	24.00000	-3.50000	-2.63233	-3.7250	-0.75726	-17.699
1 CS1 187.60E-6		19.17500	24.00000	-3.50000	-2.20302	-3.7250	-0.24671	-11.227
1 CS1 136.31E-6		18.90000	24.00000	-3.50000	-1.88202	-3.7250	-0.10704	-7.8667
1 CS1 103.19E-6		18.62500	24.00000	-3.50000	-1.63072	-3.7250	-0.055057	-5.8505
1 CS1 80.649E-6		18.35000	24.00000	-3.50000	-1.42642	-3.7250	-0.031635	-4.5266
1 CS1 64.602E-6		18.07500	24.00000	-3.50000	-1.25547	-3.7250	-0.019635	-3.6029
1 CS1 52.761E-6		17.80000	24.00000	-3.50000	-1.10938	-3.7250	-0.012896	-2.9298
1 CS1 43.773E-6		17.52500	24.00000	-3.50000	-0.98265	-3.7250	-0.0088436	-2.4232
1 CS1 36.793E-6		17.25000	24.00000	-3.50000	-0.87161	-3.7250	-0.0062752	-2.0322
1 CS1 31.269E-6		16.97500	24.00000	-3.50000	-0.77363	-3.7250	-0.0045775	-1.7241
1 CS1 26.829E-6		16.70000	24.00000	-3.50000	-0.68677	-3.7250	-0.0034166	-1.4772
1 CS1 23.212E-6		16.42500	24.00000	-3.50000	-0.60952	-3.7250	-0.0026000	-1.2766
1 CS1 20.231E-6		16.15000	24.00000	-3.50000	-0.54068	-3.7250	-0.0020118	-1.1116
1 CS1 17.750E-6		15.87500	24.00000	-3.50000	-0.47923	-3.7250	-0.0015794	-0.97453
1 CS1 15.665E-6		15.60000	24.00000	-3.50000	-0.42435	-3.7250	-0.0012558	-0.85951
1 CS1 13.899E-6		15.32500	24.00000	-3.50000	-0.37528	-3.7250	-0.0010099	-0.76222

1 CS1	15.05000	24.00000	-3.50000	-0.33142	-3.7250	-820.48E-6	-0.67931
12.393E-6							
1 CS1	14.77500	24.00000	-3.50000	-0.29218	-3.7250	-672.73E-6	-0.60819
11.100E-6							
1 CS1	14.50000	24.00000	-3.50000	-0.25709	-3.7250	-556.21E-6	-0.54680
9.9835E-6							
2 CS2	20.00000	20.00000	-3.50000	-2.15968	-3.6800	-15.750	-41.504
-402.83E-6							
2 CS2	20.32500	20.00000	-3.50000	-2.75642	-3.6800	-30.678	-70.282
-978.26E-6							
2 CS2	20.65000	20.00000	-3.50000	-2.97415	-3.6800	-31.370	-76.600
-913.54E-6							
2 CS2	20.97500	20.00000	-3.50000	-3.26556	-3.6800	-31.459	-78.902
-877.95E-6							
2 CS2	21.30000	20.00000	-3.50000	-3.60987	-3.6800	-31.482	-80.038
-858.82E-6							
2 CS2	21.62500	20.00000	-3.50000	-3.75819	-3.6800	-31.490	-80.679
-847.67E-6							
2 CS2	21.95000	20.00000	-3.50000	-3.73478	-3.6800	-31.494	-81.056
-841.01E-6							
2 CS2	22.27500	20.00000	-3.50000	-3.76722	-3.6800	-31.495	-81.264
-837.31E-6							
2 CS2	22.60000	20.00000	-3.50000	-3.90326	-3.6800	-31.496	-81.341
-835.93E-6							
2 CS2	22.92500	20.00000	-3.50000	-4.00513	-3.6800	-31.495	-81.291
-836.78E-6							
2 CS2	23.25000	20.00000	-3.50000	-3.92404	-3.6800	-31.492	-81.089
-840.31E-6							
2 CS2	23.57500	20.00000	-3.50000	-3.76803	-3.6800	-31.486	-80.653
-847.81E-6							
2 CS2	23.90000	20.00000	-3.50000	-3.70248	-3.6800	-31.466	-79.778
-862.42E-6							
2 CS2	24.22500	20.00000	-3.50000	-3.69580	-3.6800	-31.390	-77.857
-891.98E-6							
2 CS2	24.55000	20.00000	-3.50000	-3.51148	-3.6800	-30.825	-72.382
-950.62E-6							
2 CS2	24.87500	20.00000	-3.50000	-2.85470	-3.6800	-18.514	-46.776
-510.40E-6							
2 CS2	25.20000	20.00000	-3.50000	-2.36776	-3.7250	-1.6726	-18.391
213.59E-6							
2 CS2	25.52500	20.00000	-3.50000	-2.00211	-3.7250	-0.30656	-10.547
170.71E-6							
2 CS2	25.85000	20.00000	-3.50000	-1.74831	-3.7250	-0.12065	-7.5590
129.67E-6							
2 CS2	26.17500	20.00000	-3.50000	-1.54806	-3.7250	-0.069251	-5.9115
103.26E-6							
2 CS2	26.50000	20.00000	-3.50000	-1.37685	-3.7250	-0.045549	-4.7672
84.034E-6							
3 CS3	23.25000	20.00000	-3.50000	-3.92404	-3.6800	-31.492	-81.089
-840.31E-6							
3 CS3	23.25000	19.40000	-3.50000	-2.17284	-3.7250	-0.59168	-15.078
232.71E-6							
3 CS3	23.25000	18.80000	-3.50000	-1.48929	-3.7250	-0.078376	-6.2546
108.88E-6							
3 CS3	23.25000	18.20000	-3.50000	-1.09346	-3.7250	-0.021808	-3.4309
61.288E-6							
3 CS3	23.25000	17.60000	-3.50000	-0.82550	-3.7250	-0.0084317	-2.1488
38.772E-6							
3 CS3	23.25000	17.00000	-3.50000	-0.62925	-3.7250	-0.0039323	-1.4577
26.433E-6							
3 CS3	23.25000	16.40000	-3.50000	-0.48032	-3.7250	-0.0020724	-1.0440
18.987E-6							
3 CS3	23.25000	15.80000	-3.50000	-0.36553	-3.7250	-0.0011909	-0.77814
14.178E-6							
3 CS3	23.25000	15.20000	-3.50000	-0.27643	-3.7250	-730.30E-6	-0.59804
10.910E-6							
3 CS3	23.25000	14.60000	-3.50000	-0.20710	-3.7250	-471.08E-6	-0.47101
8.6004E-6							
3 CS3	23.25000	14.00000	-3.50000	-0.15309	-3.7250	-316.49E-6	-0.37846
6.9151E-6							
3 CS3	23.25000	13.40000	-3.50000	-0.11103	-3.7250	-219.87E-6	-0.30923

5.6529E-6								
3 CS3	23.25000	12.80000	-3.50000	-0.07831	-3.7250	-157.08E-6	-0.25627	
4.6867E-6								
3 CS3	23.25000	12.20000	-3.50000	-0.05291	-3.7250	-114.94E-6	-0.21500	
3.9331E-6								
3 CS3	23.25000	11.60000	-3.50000	-0.03325	-3.7250	-85.843E-6	-0.18230	
3.3358E-6								
3 CS3	23.25000	11.00000	-3.50000	-0.01807	-3.7250	-65.272E-6	-0.15603	
2.8557E-6								
3 CS3	23.25000	10.40000	-3.50000	-0.00643	-3.7250	-50.417E-6	-0.13466	
2.4651E-6								
3 CS3	23.25000	9.80000	-3.50000	0.00245	-3.7250	-39.489E-6	-0.11708	
2.1436E-6								
3 CS3	23.25000	9.20000	-3.50000	0.00915	-3.7250	-31.317E-6	-0.10248	
1.8765E-6								
3 CS3	23.25000	8.60000	-3.50000	0.01416	-3.7250	-25.116E-6	-0.090244	
1.6526E-6								
3 CS3	23.25000	8.00000	-3.50000	0.01782	-3.7250	-20.347E-6	-0.079905	
1.4634E-6								

## Results : Consolidation : Displacement Data : Lines

None

## Results : Total : Displacement Data : Lines

None

## Results : Immediate : Displacement Data : Grids

Ref.	Name	x	y	z	$\delta z$	Stress:	Stress:	
Stress:	Vert.					Calc.	Vertical	Sum
Princ.	Strain					Level		
[kN/m <sup>2</sup> ]	[ $\mu$ ]	[m]	[m]	[mOD]	[mm]	[mOD]	[kN/m <sup>2</sup> ]	
1 Displacement Grid 1	159.60E-9	0.25000	0.50000	-3.50000	0.01123	-3.7250	-468.63E-9	
-0.0087074								
1 Displacement Grid 1	170.24E-9	1.25000	0.50000	-3.50000	0.01178	-3.7250	-522.48E-9	
-0.0092880								
1 Displacement Grid 1	181.56E-9	2.25000	0.50000	-3.50000	0.01234	-3.7250	-582.40E-9	
-0.0099058								
1 Displacement Grid 1	193.58E-9	3.25000	0.50000	-3.50000	0.01291	-3.7250	-648.90E-9	
-0.010562								
1 Displacement Grid 1	206.29E-9	4.25000	0.50000	-3.50000	0.01350	-3.7250	-722.48E-9	
-0.011255								
1 Displacement Grid 1	219.70E-9	5.25000	0.50000	-3.50000	0.01409	-3.7250	-803.55E-9	
-0.011987								
1 Displacement Grid 1	233.77E-9	6.25000	0.50000	-3.50000	0.01468	-3.7250	-892.46E-9	
-0.012755								
1 Displacement Grid 1	248.47E-9	7.25000	0.50000	-3.50000	0.01528	-3.7250	-989.43E-9	
-0.013557								
1 Displacement Grid 1	263.73E-9	8.25000	0.50000	-3.50000	0.01587	-3.7250	-1.0945E-6	
-0.014390								
1 Displacement Grid 1	279.47E-9	9.25000	0.50000	-3.50000	0.01644	-3.7250	-1.2074E-6	
-0.015249								
1 Displacement Grid 1	295.58E-9	10.25000	0.50000	-3.50000	0.01701	-3.7250	-1.3277E-6	
-0.016128								
1 Displacement Grid 1	311.92E-9	11.25000	0.50000	-3.50000	0.01755	-3.7250	-1.4545E-6	
-0.017020								
1 Displacement Grid 1	328.31E-9	12.25000	0.50000	-3.50000	0.01806	-3.7250	-1.5865E-6	
-0.017914								
1 Displacement Grid 1	344.55E-9	13.25000	0.50000	-3.50000	0.01855	-3.7250	-1.7218E-6	
-0.018801								
1 Displacement Grid 1		14.25000	0.50000	-3.50000	0.01900	-3.7250	-1.8583E-6	



-0.019666	360.40E-9						
1 Displacement Grid 1	15.25000	0.50000	-3.50000	0.01941	-3.7250	-1.9932E-6	
-0.020496	375.61E-9						
1 Displacement Grid 1	16.25000	0.50000	-3.50000	0.01977	-3.7250	-2.1234E-6	
-0.021275	389.89E-9						
1 Displacement Grid 1	17.25000	0.50000	-3.50000	0.02010	-3.7250	-2.2453E-6	
-0.021989	402.96E-9						
1 Displacement Grid 1	18.25000	0.50000	-3.50000	0.02037	-3.7250	-2.3555E-6	
-0.022620	414.53E-9						
1 Displacement Grid 1	19.25000	0.50000	-3.50000	0.02060	-3.7250	-2.4502E-6	
-0.023155	424.33E-9						
1 Displacement Grid 1	20.25000	0.50000	-3.50000	0.02077	-3.7250	-2.5263E-6	
-0.023580	432.11E-9						
1 Displacement Grid 1	21.25000	0.50000	-3.50000	0.02090	-3.7250	-2.5808E-6	
-0.023883	437.67E-9						
1 Displacement Grid 1	22.25000	0.50000	-3.50000	0.02097	-3.7250	-2.6119E-6	
-0.024058	440.87E-9						
1 Displacement Grid 1	23.25000	0.50000	-3.50000	0.02100	-3.7250	-2.6182E-6	
-0.024098	441.61E-9						
1 Displacement Grid 1	24.25000	0.50000	-3.50000	0.02097	-3.7250	-2.5997E-6	
-0.024004	439.88E-9						
1 Displacement Grid 1	25.25000	0.50000	-3.50000	0.02089	-3.7250	-2.5569E-6	
-0.023778	435.74E-9						
1 Displacement Grid 1	26.25000	0.50000	-3.50000	0.02076	-3.7250	-2.4918E-6	
-0.023426	429.29E-9						
1 Displacement Grid 1	27.25000	0.50000	-3.50000	0.02058	-3.7250	-2.4068E-6	
-0.022958	420.71E-9						
1 Displacement Grid 1	28.25000	0.50000	-3.50000	0.02035	-3.7250	-2.3048E-6	
-0.022386	410.23E-9						
1 Displacement Grid 1	29.25000	0.50000	-3.50000	0.02007	-3.7250	-2.1895E-6	
-0.021724	398.10E-9						
1 Displacement Grid 1	30.25000	0.50000	-3.50000	0.01973	-3.7250	-2.0642E-6	
-0.020987	384.61E-9						
1 Displacement Grid 1	31.25000	0.50000	-3.50000	0.01936	-3.7250	-1.9326E-6	
-0.020191	370.02E-9						
1 Displacement Grid 1	32.25000	0.50000	-3.50000	0.01894	-3.7250	-1.7978E-6	
-0.019351	354.64E-9						
1 Displacement Grid 1	33.25000	0.50000	-3.50000	0.01848	-3.7250	-1.6627E-6	
-0.018482	338.71E-9						
1 Displacement Grid 1	34.25000	0.50000	-3.50000	0.01798	-3.7250	-1.5298E-6	
-0.017597	322.50E-9						
1 Displacement Grid 1	35.25000	0.50000	-3.50000	0.01746	-3.7250	-1.4011E-6	
-0.016708	306.21E-9						
1 Displacement Grid 1	36.25000	0.50000	-3.50000	0.01691	-3.7250	-1.2780E-6	
-0.015825	290.03E-9						
1 Displacement Grid 1	37.25000	0.50000	-3.50000	0.01634	-3.7250	-1.1616E-6	
-0.014957	274.13E-9						
1 Displacement Grid 1	38.25000	0.50000	-3.50000	0.01575	-3.7250	-1.0528E-6	
-0.014111	258.63E-9						
1 Displacement Grid 1	39.25000	0.50000	-3.50000	0.01516	-3.7250	-951.69E-9	
-0.013293	243.63E-9						
1 Displacement Grid 1	40.25000	0.50000	-3.50000	0.01456	-3.7250	-858.56E-9	
-0.012506	229.21E-9						
1 Displacement Grid 1	41.25000	0.50000	-3.50000	0.01397	-3.7250	-773.26E-9	
-0.011753	215.42E-9						
1 Displacement Grid 1	42.25000	0.50000	-3.50000	0.01337	-3.7250	-695.54E-9	
-0.011037	202.30E-9						
1 Displacement Grid 1	43.25000	0.50000	-3.50000	0.01279	-3.7250	-625.04E-9	
-0.010359	189.86E-9						
1 Displacement Grid 1	44.25000	0.50000	-3.50000	0.01222	-3.7250	-561.31E-9	
-0.0097176	178.11E-9						
1 Displacement Grid 1	45.25000	0.50000	-3.50000	0.01166	-3.7250	-503.89E-9	
-0.0091137	167.05E-9						
1 Displacement Grid 1	46.25000	0.50000	-3.50000	0.01112	-3.7250	-452.26E-9	
-0.0085462	156.65E-9						
1 Displacement Grid 1	0.25000	1.50000	-3.50000	0.01179	-3.7250	-523.67E-9	
-0.0093029	170.51E-9						
1 Displacement Grid 1	1.25000	1.50000	-3.50000	0.01238	-3.7250	-586.81E-9	
-0.0099528	182.43E-9						
1 Displacement Grid 1	2.25000	1.50000	-3.50000	0.01299	-3.7250	-657.59E-9	
-0.010648	195.16E-9						

1 Displacement Grid 1	3.25000	1.50000	-3.50000	0.01361	-3.7250	-736.75E-9
-0.011390 208.76E-9						
1 Displacement Grid 1	4.25000	1.50000	-3.50000	0.01424	-3.7250	-825.03E-9
-0.012179 223.22E-9						
1 Displacement Grid 1	5.25000	1.50000	-3.50000	0.01488	-3.7250	-923.11E-9
-0.013016 238.56E-9						
1 Displacement Grid 1	6.25000	1.50000	-3.50000	0.01553	-3.7250	-1.0316E-6
-0.013900 254.75E-9						
1 Displacement Grid 1	7.25000	1.50000	-3.50000	0.01617	-3.7250	-1.1510E-6
-0.014829 271.77E-9						
1 Displacement Grid 1	8.25000	1.50000	-3.50000	0.01680	-3.7250	-1.2815E-6
-0.015799 289.56E-9						
1 Displacement Grid 1	9.25000	1.50000	-3.50000	0.01742	-3.7250	-1.4231E-6
-0.016807 308.02E-9						
1 Displacement Grid 1	10.25000	1.50000	-3.50000	0.01803	-3.7250	-1.5754E-6
-0.017845 327.04E-9						
1 Displacement Grid 1	11.25000	1.50000	-3.50000	0.01860	-3.7250	-1.7374E-6
-0.018905 346.46E-9						
1 Displacement Grid 1	12.25000	1.50000	-3.50000	0.01915	-3.7250	-1.9076E-6
-0.019974 366.06E-9						
1 Displacement Grid 1	13.25000	1.50000	-3.50000	0.01966	-3.7250	-2.0837E-6
-0.021041 385.60E-9						
1 Displacement Grid 1	14.25000	1.50000	-3.50000	0.02013	-3.7250	-2.2630E-6
-0.022089 404.79E-9						
1 Displacement Grid 1	15.25000	1.50000	-3.50000	0.02055	-3.7250	-2.4416E-6
-0.023100 423.31E-9						
1 Displacement Grid 1	16.25000	1.50000	-3.50000	0.02093	-3.7250	-2.6153E-6
-0.024054 440.80E-9						
1 Displacement Grid 1	17.25000	1.50000	-3.50000	0.02126	-3.7250	-2.7792E-6
-0.024932 456.89E-9						
1 Displacement Grid 1	18.25000	1.50000	-3.50000	0.02154	-3.7250	-2.9282E-6
-0.025713 471.19E-9						
1 Displacement Grid 1	19.25000	1.50000	-3.50000	0.02176	-3.7250	-3.0570E-6
-0.026376 483.34E-9						
1 Displacement Grid 1	20.25000	1.50000	-3.50000	0.02194	-3.7250	-3.1608E-6
-0.026905 493.02E-9						
1 Displacement Grid 1	21.25000	1.50000	-3.50000	0.02206	-3.7250	-3.2354E-6
-0.027283 499.95E-9						
1 Displacement Grid 1	22.25000	1.50000	-3.50000	0.02214	-3.7250	-3.2778E-6
-0.027500 503.93E-9						
1 Displacement Grid 1	23.25000	1.50000	-3.50000	0.02216	-3.7250	-3.2863E-6
-0.027550 504.85E-9						
1 Displacement Grid 1	24.25000	1.50000	-3.50000	0.02214	-3.7250	-3.2604E-6
-0.027431 502.67E-9						
1 Displacement Grid 1	25.25000	1.50000	-3.50000	0.02207	-3.7250	-3.2015E-6
-0.027148 497.47E-9						
1 Displacement Grid 1	26.25000	1.50000	-3.50000	0.02194	-3.7250	-3.1122E-6
-0.026708 489.42E-9						
1 Displacement Grid 1	27.25000	1.50000	-3.50000	0.02176	-3.7250	-2.9960E-6
-0.026125 478.74E-9						
1 Displacement Grid 1	28.25000	1.50000	-3.50000	0.02153	-3.7250	-2.8576E-6
-0.025416 465.74E-9						
1 Displacement Grid 1	29.25000	1.50000	-3.50000	0.02125	-3.7250	-2.7020E-6
-0.024598 450.77E-9						
1 Displacement Grid 1	30.25000	1.50000	-3.50000	0.02091	-3.7250	-2.5342E-6
-0.023693 434.19E-9						
1 Displacement Grid 1	31.25000	1.50000	-3.50000	0.02052	-3.7250	-2.3593E-6
-0.022721 416.38E-9						
1 Displacement Grid 1	32.25000	1.50000	-3.50000	0.02008	-3.7250	-2.1816E-6
-0.021701 397.68E-9						
1 Displacement Grid 1	33.25000	1.50000	-3.50000	0.01960	-3.7250	-2.0052E-6
-0.020651 378.46E-9						
1 Displacement Grid 1	34.25000	1.50000	-3.50000	0.01908	-3.7250	-1.8331E-6
-0.019589 359.00E-9						
1 Displacement Grid 1	35.25000	1.50000	-3.50000	0.01852	-3.7250	-1.6679E-6
-0.018529 339.57E-9						
1 Displacement Grid 1	36.25000	1.50000	-3.50000	0.01793	-3.7250	-1.5115E-6
-0.017483 320.41E-9						
1 Displacement Grid 1	37.25000	1.50000	-3.50000	0.01731	-3.7250	-1.3650E-6
-0.016461 301.69E-9						
1 Displacement Grid 1	38.25000	1.50000	-3.50000	0.01669	-3.7250	-1.2291E-6

-0.015472	283.56E-9						
1 Displacement Grid 1		39.25000	1.50000	-3.50000	0.01604	-3.7250	-1.1041E-6
-0.014520	266.13E-9						
1 Displacement Grid 1		40.25000	1.50000	-3.50000	0.01540	-3.7250	-989.92E-9
-0.013611	249.47E-9						
1 Displacement Grid 1		41.25000	1.50000	-3.50000	0.01475	-3.7250	-886.24E-9
-0.012748	233.64E-9						
1 Displacement Grid 1		42.25000	1.50000	-3.50000	0.01411	-3.7250	-792.55E-9
-0.011930	218.66E-9						
1 Displacement Grid 1		43.25000	1.50000	-3.50000	0.01348	-3.7250	-708.24E-9
-0.011160	204.54E-9						
1 Displacement Grid 1		44.25000	1.50000	-3.50000	0.01286	-3.7250	-632.62E-9
-0.010436	191.27E-9						
1 Displacement Grid 1		45.25000	1.50000	-3.50000	0.01226	-3.7250	-564.98E-9
-0.0097574	178.84E-9						
1 Displacement Grid 1		46.25000	1.50000	-3.50000	0.01167	-3.7250	-504.60E-9
-0.0091231	167.22E-9						
1 Displacement Grid 1		0.25000	2.50000	-3.50000	0.01237	-3.7250	-585.14E-9
-0.0099386	182.16E-9						
1 Displacement Grid 1		1.25000	2.50000	-3.50000	0.01301	-3.7250	-659.19E-9
-0.010666	195.50E-9						
1 Displacement Grid 1		2.25000	2.50000	-3.50000	0.01366	-3.7250	-742.83E-9
-0.011449	209.84E-9						
1 Displacement Grid 1		3.25000	2.50000	-3.50000	0.01433	-3.7250	-837.14E-9
-0.012288	225.22E-9						
1 Displacement Grid 1		4.25000	2.50000	-3.50000	0.01501	-3.7250	-943.19E-9
-0.013187	241.69E-9						
1 Displacement Grid 1		5.25000	2.50000	-3.50000	0.01570	-3.7250	-1.0621E-6
-0.014146	259.26E-9						
1 Displacement Grid 1		6.25000	2.50000	-3.50000	0.01639	-3.7250	-1.1948E-6
-0.015165	277.93E-9						
1 Displacement Grid 1		7.25000	2.50000	-3.50000	0.01708	-3.7250	-1.3422E-6
-0.016243	297.68E-9						
1 Displacement Grid 1		8.25000	2.50000	-3.50000	0.01776	-3.7250	-1.5050E-6
-0.017377	318.47E-9						
1 Displacement Grid 1		9.25000	2.50000	-3.50000	0.01842	-3.7250	-1.6834E-6
-0.018563	340.19E-9						
1 Displacement Grid 1		10.25000	2.50000	-3.50000	0.01906	-3.7250	-1.8772E-6
-0.019793	362.73E-9						
1 Displacement Grid 1		11.25000	2.50000	-3.50000	0.01967	-3.7250	-2.0856E-6
-0.021058	385.90E-9						
1 Displacement Grid 1		12.25000	2.50000	-3.50000	0.02024	-3.7250	-2.3067E-6
-0.022344	409.46E-9						
1 Displacement Grid 1		13.25000	2.50000	-3.50000	0.02076	-3.7250	-2.5380E-6
-0.023635	433.12E-9						
1 Displacement Grid 1		14.25000	2.50000	-3.50000	0.02124	-3.7250	-2.7756E-6
-0.024912	456.51E-9						
1 Displacement Grid 1		15.25000	2.50000	-3.50000	0.02167	-3.7250	-3.0147E-6
-0.026152	479.23E-9						
1 Displacement Grid 1		16.25000	2.50000	-3.50000	0.02204	-3.7250	-3.2493E-6
-0.027330	500.82E-9						
1 Displacement Grid 1		17.25000	2.50000	-3.50000	0.02235	-3.7250	-3.4724E-6
-0.028420	520.78E-9						
1 Displacement Grid 1		18.25000	2.50000	-3.50000	0.02262	-3.7250	-3.6766E-6
-0.029394	538.62E-9						
1 Displacement Grid 1		19.25000	2.50000	-3.50000	0.02283	-3.7250	-3.8542E-6
-0.030225	553.85E-9						
1 Displacement Grid 1		20.25000	2.50000	-3.50000	0.02299	-3.7250	-3.9980E-6
-0.030889	566.01E-9						
1 Displacement Grid 1		21.25000	2.50000	-3.50000	0.02311	-3.7250	-4.1016E-6
-0.031366	574.73E-9						
1 Displacement Grid 1		22.25000	2.50000	-3.50000	0.02318	-3.7250	-4.1605E-6
-0.031639	579.74E-9						
1 Displacement Grid 1		23.25000	2.50000	-3.50000	0.02321	-3.7250	-4.1719E-6
-0.031701	580.87E-9						
1 Displacement Grid 1		24.25000	2.50000	-3.50000	0.02319	-3.7250	-4.1354E-6
-0.031549	578.09E-9						
1 Displacement Grid 1		25.25000	2.50000	-3.50000	0.02313	-3.7250	-4.0528E-6
-0.031190	571.51E-9						
1 Displacement Grid 1		26.25000	2.50000	-3.50000	0.02302	-3.7250	-3.9283E-6
-0.030634	561.34E-9						

1 Displacement Grid 1	27.25000	2.50000	-3.50000	0.02286	-3.7250	-3.7673E-6
-0.029902 547.92E-9						
1 Displacement Grid 1	28.25000	2.50000	-3.50000	0.02265	-3.7250	-3.5768E-6
-0.029014 531.65E-9						
1 Displacement Grid 1	29.25000	2.50000	-3.50000	0.02238	-3.7250	-3.3641E-6
-0.027996 513.00E-9						
1 Displacement Grid 1	30.25000	2.50000	-3.50000	0.02205	-3.7250	-3.1367E-6
-0.026875 492.47E-9						
1 Displacement Grid 1	31.25000	2.50000	-3.50000	0.02166	-3.7250	-2.9017E-6
-0.025677 470.54E-9						
1 Displacement Grid 1	32.25000	2.50000	-3.50000	0.02122	-3.7250	-2.6652E-6
-0.024429 447.68E-9						
1 Displacement Grid 1	33.25000	2.50000	-3.50000	0.02072	-3.7250	-2.4327E-6
-0.023154 424.32E-9						
1 Displacement Grid 1	34.25000	2.50000	-3.50000	0.02018	-3.7250	-2.2081E-6
-0.021873 400.84E-9						
1 Displacement Grid 1	35.25000	2.50000	-3.50000	0.01959	-3.7250	-1.9948E-6
-0.020603 377.57E-9						
1 Displacement Grid 1	36.25000	2.50000	-3.50000	0.01897	-3.7250	-1.7947E-6
-0.019359 354.77E-9						
1 Displacement Grid 1	37.25000	2.50000	-3.50000	0.01832	-3.7250	-1.6093E-6
-0.018152 332.66E-9						
1 Displacement Grid 1	38.25000	2.50000	-3.50000	0.01765	-3.7250	-1.4389E-6
-0.016991 311.40E-9						
1 Displacement Grid 1	39.25000	2.50000	-3.50000	0.01696	-3.7250	-1.2838E-6
-0.015883 291.09E-9						
1 Displacement Grid 1	40.25000	2.50000	-3.50000	0.01626	-3.7250	-1.1434E-6
-0.014830 271.81E-9						
1 Displacement Grid 1	41.25000	2.50000	-3.50000	0.01557	-3.7250	-1.0171E-6
-0.013837 253.60E-9						
1 Displacement Grid 1	42.25000	2.50000	-3.50000	0.01487	-3.7250	-904.02E-9
-0.012903 236.48E-9						
1 Displacement Grid 1	43.25000	2.50000	-3.50000	0.01419	-3.7250	-803.07E-9
-0.012027 220.44E-9						
1 Displacement Grid 1	44.25000	2.50000	-3.50000	0.01352	-3.7250	-713.27E-9
-0.011209 205.45E-9						
1 Displacement Grid 1	45.25000	2.50000	-3.50000	0.01287	-3.7250	-633.56E-9
-0.010447 191.49E-9						
1 Displacement Grid 1	46.25000	2.50000	-3.50000	0.01224	-3.7250	-562.94E-9
-0.0097384 178.50E-9						
1 Displacement Grid 1	0.25000	3.50000	-3.50000	0.01296	-3.7250	-653.63E-9
-0.010616 194.58E-9						
1 Displacement Grid 1	1.25000	3.50000	-3.50000	0.01365	-3.7250	-740.44E-9
-0.011430 209.50E-9						
1 Displacement Grid 1	2.25000	3.50000	-3.50000	0.01435	-3.7250	-839.30E-9
-0.012311 225.64E-9						
1 Displacement Grid 1	3.25000	3.50000	-3.50000	0.01507	-3.7250	-951.70E-9
-0.013262 243.06E-9						
1 Displacement Grid 1	4.25000	3.50000	-3.50000	0.01580	-3.7250	-1.0792E-6
-0.014285 261.82E-9						
1 Displacement Grid 1	5.25000	3.50000	-3.50000	0.01654	-3.7250	-1.2236E-6
-0.015385 281.97E-9						
1 Displacement Grid 1	6.25000	3.50000	-3.50000	0.01728	-3.7250	-1.3863E-6
-0.016561 303.52E-9						
1 Displacement Grid 1	7.25000	3.50000	-3.50000	0.01801	-3.7250	-1.5689E-6
-0.017815 326.49E-9						
1 Displacement Grid 1	8.25000	3.50000	-3.50000	0.01873	-3.7250	-1.7727E-6
-0.019144 350.84E-9						
1 Displacement Grid 1	9.25000	3.50000	-3.50000	0.01943	-3.7250	-1.9985E-6
-0.020544 376.49E-9						
1 Displacement Grid 1	10.25000	3.50000	-3.50000	0.02010	-3.7250	-2.2465E-6
-0.022007 403.29E-9						
1 Displacement Grid 1	11.25000	3.50000	-3.50000	0.02072	-3.7250	-2.5162E-6
-0.023523 431.07E-9						
1 Displacement Grid 1	12.25000	3.50000	-3.50000	0.02130	-3.7250	-2.8058E-6
-0.025077 459.54E-9						
1 Displacement Grid 1	13.25000	3.50000	-3.50000	0.02182	-3.7250	-3.1122E-6
-0.026650 488.35E-9						
1 Displacement Grid 1	14.25000	3.50000	-3.50000	0.02229	-3.7250	-3.4305E-6
-0.028217 517.06E-9						
1 Displacement Grid 1	15.25000	3.50000	-3.50000	0.02269	-3.7250	-3.7542E-6

-0.029750	545.15E-9						
1 Displacement Grid 1	16.25000	3.50000	-3.50000	0.02303	-3.7250	-4.0751E-6	
-0.031218	572.02E-9						
1 Displacement Grid 1	17.25000	3.50000	-3.50000	0.02331	-3.7250	-4.3831E-6	
-0.032583	597.04E-9						
1 Displacement Grid 1	18.25000	3.50000	-3.50000	0.02353	-3.7250	-4.6672E-6	
-0.033810	619.51E-9						
1 Displacement Grid 1	19.25000	3.50000	-3.50000	0.02371	-3.7250	-4.9160E-6	
-0.034863	638.78E-9						
1 Displacement Grid 1	20.25000	3.50000	-3.50000	0.02384	-3.7250	-5.1184E-6	
-0.035706	654.23E-9						
1 Displacement Grid 1	21.25000	3.50000	-3.50000	0.02393	-3.7250	-5.2648E-6	
-0.036313	665.34E-9						
1 Displacement Grid 1	22.25000	3.50000	-3.50000	0.02399	-3.7250	-5.3478E-6	
-0.036660	671.71E-9						
1 Displacement Grid 1	23.25000	3.50000	-3.50000	0.02402	-3.7250	-5.3633E-6	
-0.036738	673.13E-9						
1 Displacement Grid 1	24.25000	3.50000	-3.50000	0.02401	-3.7250	-5.3107E-6	
-0.036542	669.54E-9						
1 Displacement Grid 1	25.25000	3.50000	-3.50000	0.02398	-3.7250	-5.1930E-6	
-0.036081	661.10E-9						
1 Displacement Grid 1	26.25000	3.50000	-3.50000	0.02390	-3.7250	-5.0164E-6	
-0.035372	648.12E-9						
1 Displacement Grid 1	27.25000	3.50000	-3.50000	0.02378	-3.7250	-4.7898E-6	
-0.034440	631.05E-9						
1 Displacement Grid 1	28.25000	3.50000	-3.50000	0.02361	-3.7250	-4.5235E-6	
-0.033317	610.48E-9						
1 Displacement Grid 1	29.25000	3.50000	-3.50000	0.02338	-3.7250	-4.2287E-6	
-0.032037	587.03E-9						
1 Displacement Grid 1	30.25000	3.50000	-3.50000	0.02309	-3.7250	-3.9165E-6	
-0.030636	561.37E-9						
1 Displacement Grid 1	31.25000	3.50000	-3.50000	0.02273	-3.7250	-3.5971E-6	
-0.029150	534.16E-9						
1 Displacement Grid 1	32.25000	3.50000	-3.50000	0.02231	-3.7250	-3.2791E-6	
-0.027613	506.00E-9						
1 Displacement Grid 1	33.25000	3.50000	-3.50000	0.02182	-3.7250	-2.9696E-6	
-0.026054	477.44E-9						
1 Displacement Grid 1	34.25000	3.50000	-3.50000	0.02127	-3.7250	-2.6743E-6	
-0.024499	448.96E-9						
1 Displacement Grid 1	35.25000	3.50000	-3.50000	0.02067	-3.7250	-2.3967E-6	
-0.022970	420.94E-9						
1 Displacement Grid 1	36.25000	3.50000	-3.50000	0.02002	-3.7250	-2.1394E-6	
-0.021484	393.72E-9						
1 Displacement Grid 1	37.25000	3.50000	-3.50000	0.01934	-3.7250	-1.9034E-6	
-0.020054	367.51E-9						
1 Displacement Grid 1	38.25000	3.50000	-3.50000	0.01862	-3.7250	-1.6891E-6	
-0.018688	342.49E-9						
1 Displacement Grid 1	39.25000	3.50000	-3.50000	0.01789	-3.7250	-1.4959E-6	
-0.017394	318.77E-9						
1 Displacement Grid 1	40.25000	3.50000	-3.50000	0.01715	-3.7250	-1.3229E-6	
-0.016174	296.42E-9						
1 Displacement Grid 1	41.25000	3.50000	-3.50000	0.01640	-3.7250	-1.1688E-6	
-0.015030	275.46E-9						
1 Displacement Grid 1	42.25000	3.50000	-3.50000	0.01566	-3.7250	-1.0320E-6	
-0.013961	255.87E-9						
1 Displacement Grid 1	43.25000	3.50000	-3.50000	0.01493	-3.7250	-911.03E-9	
-0.012966	237.64E-9						
1 Displacement Grid 1	44.25000	3.50000	-3.50000	0.01421	-3.7250	-804.34E-9	
-0.012042	220.70E-9						
1 Displacement Grid 1	45.25000	3.50000	-3.50000	0.01351	-3.7250	-710.41E-9	
-0.011185	205.01E-9						
1 Displacement Grid 1	46.25000	3.50000	-3.50000	0.01283	-3.7250	-627.83E-9	
-0.010393	190.50E-9						
1 Displacement Grid 1	0.25000	4.50000	-3.50000	0.01357	-3.7250	-729.71E-9	
-0.011335	207.76E-9						
1 Displacement Grid 1	1.25000	4.50000	-3.50000	0.01430	-3.7250	-831.42E-9	
-0.012247	224.46E-9						
1 Displacement Grid 1	2.25000	4.50000	-3.50000	0.01505	-3.7250	-948.22E-9	
-0.013238	242.62E-9						
1 Displacement Grid 1	3.25000	4.50000	-3.50000	0.01582	-3.7250	-1.0822E-6	
-0.014314	262.35E-9						

1 Displacement Grid 1	4.25000	4.50000	-3.50000	0.01661	-3.7250	-1.2357E-6
-0.015481 283.73E-9						
1 Displacement Grid 1	5.25000	4.50000	-3.50000	0.01739	-3.7250	-1.4111E-6
-0.016743 306.85E-9						
1 Displacement Grid 1	6.25000	4.50000	-3.50000	0.01818	-3.7250	-1.6109E-6
-0.018103 331.77E-9						
1 Displacement Grid 1	7.25000	4.50000	-3.50000	0.01895	-3.7250	-1.8377E-6
-0.019563 358.52E-9						
1 Displacement Grid 1	8.25000	4.50000	-3.50000	0.01971	-3.7250	-2.0937E-6
-0.021124 387.11E-9						
1 Displacement Grid 1	9.25000	4.50000	-3.50000	0.02043	-3.7250	-2.3807E-6
-0.022781 417.47E-9						
1 Displacement Grid 1	10.25000	4.50000	-3.50000	0.02111	-3.7250	-2.7000E-6
-0.024528 449.47E-9						
1 Displacement Grid 1	11.25000	4.50000	-3.50000	0.02173	-3.7250	-3.0515E-6
-0.026353 482.92E-9						
1 Displacement Grid 1	12.25000	4.50000	-3.50000	0.02230	-3.7250	-3.4338E-6
-0.028241 517.51E-9						
1 Displacement Grid 1	13.25000	4.50000	-3.50000	0.02279	-3.7250	-3.8434E-6
-0.030169 552.81E-9						
1 Displacement Grid 1	14.25000	4.50000	-3.50000	0.02321	-3.7250	-4.2745E-6
-0.032106 588.30E-9						
1 Displacement Grid 1	15.25000	4.50000	-3.50000	0.02355	-3.7250	-4.7182E-6
-0.034018 623.31E-9						
1 Displacement Grid 1	16.25000	4.50000	-3.50000	0.02381	-3.7250	-5.1631E-6
-0.035862 657.08E-9						
1 Displacement Grid 1	17.25000	4.50000	-3.50000	0.02401	-3.7250	-5.5947E-6
-0.037590 688.74E-9						
1 Displacement Grid 1	18.25000	4.50000	-3.50000	0.02415	-3.7250	-5.9966E-6
-0.039153 717.37E-9						
1 Displacement Grid 1	19.25000	4.50000	-3.50000	0.02425	-3.7250	-6.3513E-6
-0.040501 742.05E-9						
1 Displacement Grid 1	20.25000	4.50000	-3.50000	0.02432	-3.7250	-6.6415E-6
-0.041586 761.92E-9						
1 Displacement Grid 1	21.25000	4.50000	-3.50000	0.02436	-3.7250	-6.8520E-6
-0.042368 776.24E-9						
1 Displacement Grid 1	22.25000	4.50000	-3.50000	0.02439	-3.7250	-6.9713E-6
-0.042817 784.46E-9						
1 Displacement Grid 1	23.25000	4.50000	-3.50000	0.02442	-3.7250	-6.9927E-6
-0.042914 786.24E-9						
1 Displacement Grid 1	24.25000	4.50000	-3.50000	0.02444	-3.7250	-6.9154E-6
-0.042658 781.54E-9						
1 Displacement Grid 1	25.25000	4.50000	-3.50000	0.02445	-3.7250	-6.7442E-6
-0.042058 770.57E-9						
1 Displacement Grid 1	26.25000	4.50000	-3.50000	0.02445	-3.7250	-6.4891E-6
-0.041141 753.78E-9						
1 Displacement Grid 1	27.25000	4.50000	-3.50000	0.02440	-3.7250	-6.1642E-6
-0.039943 731.83E-9						
1 Displacement Grid 1	28.25000	4.50000	-3.50000	0.02432	-3.7250	-5.7858E-6
-0.038506 705.51E-9						
1 Displacement Grid 1	29.25000	4.50000	-3.50000	0.02417	-3.7250	-5.3711E-6
-0.036879 675.72E-9						
1 Displacement Grid 1	30.25000	4.50000	-3.50000	0.02396	-3.7250	-4.9365E-6
-0.035112 643.35E-9						
1 Displacement Grid 1	31.25000	4.50000	-3.50000	0.02367	-3.7250	-4.4968E-6
-0.033252 609.30E-9						
1 Displacement Grid 1	32.25000	4.50000	-3.50000	0.02329	-3.7250	-4.0643E-6
-0.031344 574.34E-9						
1 Displacement Grid 1	33.25000	4.50000	-3.50000	0.02284	-3.7250	-3.6486E-6
-0.029425 539.20E-9						
1 Displacement Grid 1	34.25000	4.50000	-3.50000	0.02231	-3.7250	-3.2568E-6
-0.027528 504.45E-9						
1 Displacement Grid 1	35.25000	4.50000	-3.50000	0.02172	-3.7250	-2.8932E-6
-0.025679 470.56E-9						
1 Displacement Grid 1	36.25000	4.50000	-3.50000	0.02106	-3.7250	-2.5602E-6
-0.023896 437.91E-9						
1 Displacement Grid 1	37.25000	4.50000	-3.50000	0.02035	-3.7250	-2.2585E-6
-0.022195 406.74E-9						
1 Displacement Grid 1	38.25000	4.50000	-3.50000	0.01961	-3.7250	-1.9878E-6
-0.020584 377.23E-9						
1 Displacement Grid 1	39.25000	4.50000	-3.50000	0.01884	-3.7250	-1.7465E-6

-0.019069	349.48E-9						
1 Displacement Grid 1		40.25000	4.50000	-3.50000	0.01805	-3.7250	-1.5327E-6
-0.017653	323.52E-9						
1 Displacement Grid 1		41.25000	4.50000	-3.50000	0.01726	-3.7250	-1.3443E-6
-0.016334	299.35E-9						
1 Displacement Grid 1		42.25000	4.50000	-3.50000	0.01646	-3.7250	-1.1787E-6
-0.015110	276.93E-9						
1 Displacement Grid 1		43.25000	4.50000	-3.50000	0.01568	-3.7250	-1.0337E-6
-0.013979	256.20E-9						
1 Displacement Grid 1		44.25000	4.50000	-3.50000	0.01490	-3.7250	-906.94E-9
-0.012934	237.06E-9						
1 Displacement Grid 1		45.25000	4.50000	-3.50000	0.01415	-3.7250	-796.29E-9
-0.011973	219.44E-9						
1 Displacement Grid 1		46.25000	4.50000	-3.50000	0.01343	-3.7250	-699.81E-9
-0.011088	203.23E-9						
1 Displacement Grid 1		0.25000	5.50000	-3.50000	0.01419	-3.7250	-813.92E-9
-0.012097	221.72E-9						
1 Displacement Grid 1		1.25000	5.50000	-3.50000	0.01497	-3.7250	-932.95E-9
-0.013116	240.39E-9						
1 Displacement Grid 1		2.25000	5.50000	-3.50000	0.01577	-3.7250	-1.0708E-6
-0.014230	260.81E-9						
1 Displacement Grid 1		3.25000	5.50000	-3.50000	0.01659	-3.7250	-1.2305E-6
-0.015449	283.14E-9						
1 Displacement Grid 1		4.25000	5.50000	-3.50000	0.01742	-3.7250	-1.4152E-6
-0.016779	307.51E-9						
1 Displacement Grid 1		5.25000	5.50000	-3.50000	0.01825	-3.7250	-1.6285E-6
-0.018228	334.06E-9						
1 Displacement Grid 1		6.25000	5.50000	-3.50000	0.01908	-3.7250	-1.8743E-6
-0.019802	362.89E-9						
1 Displacement Grid 1		7.25000	5.50000	-3.50000	0.01989	-3.7250	-2.1565E-6
-0.021505	394.10E-9						
1 Displacement Grid 1		8.25000	5.50000	-3.50000	0.02066	-3.7250	-2.4791E-6
-0.023341	427.74E-9						
1 Displacement Grid 1		9.25000	5.50000	-3.50000	0.02139	-3.7250	-2.8455E-6
-0.025308	463.77E-9						
1 Displacement Grid 1		10.25000	5.50000	-3.50000	0.02206	-3.7250	-3.2586E-6
-0.027402	502.12E-9						
1 Displacement Grid 1		11.25000	5.50000	-3.50000	0.02266	-3.7250	-3.7198E-6
-0.029610	542.58E-9						
1 Displacement Grid 1		12.25000	5.50000	-3.50000	0.02317	-3.7250	-4.2286E-6
-0.031916	584.82E-9						
1 Displacement Grid 1		13.25000	5.50000	-3.50000	0.02359	-3.7250	-4.7817E-6
-0.034294	628.37E-9						
1 Displacement Grid 1		14.25000	5.50000	-3.50000	0.02391	-3.7250	-5.3721E-6
-0.036708	672.57E-9						
1 Displacement Grid 1		15.25000	5.50000	-3.50000	0.02413	-3.7250	-5.9884E-6
-0.039112	716.60E-9						
1 Displacement Grid 1		16.25000	5.50000	-3.50000	0.02426	-3.7250	-6.6144E-6
-0.041451	759.45E-9						
1 Displacement Grid 1		17.25000	5.50000	-3.50000	0.02431	-3.7250	-7.2293E-6
-0.043663	799.96E-9						
1 Displacement Grid 1		18.25000	5.50000	-3.50000	0.02430	-3.7250	-7.8082E-6
-0.045679	836.87E-9						
1 Displacement Grid 1		19.25000	5.50000	-3.50000	0.02426	-3.7250	-8.3236E-6
-0.047428	868.89E-9						
1 Displacement Grid 1		20.25000	5.50000	-3.50000	0.02421	-3.7250	-8.7483E-6
-0.048842	894.80E-9						
1 Displacement Grid 1		21.25000	5.50000	-3.50000	0.02416	-3.7250	-9.0576E-6
-0.049865	913.52E-9						
1 Displacement Grid 1		22.25000	5.50000	-3.50000	0.02415	-3.7250	-9.2326E-6
-0.050451	924.25E-9						
1 Displacement Grid 1		23.25000	5.50000	-3.50000	0.02418	-3.7250	-9.2626E-6
-0.050575	926.53E-9						
1 Displacement Grid 1		24.25000	5.50000	-3.50000	0.02424	-3.7250	-9.1461E-6
-0.050234	920.28E-9						
1 Displacement Grid 1		25.25000	5.50000	-3.50000	0.02433	-3.7250	-8.8915E-6
-0.049443	905.81E-9						
1 Displacement Grid 1		26.25000	5.50000	-3.50000	0.02444	-3.7250	-8.5154E-6
-0.048240	883.78E-9						
1 Displacement Grid 1		27.25000	5.50000	-3.50000	0.02453	-3.7250	-8.0405E-6
-0.046677	855.15E-9						

1 Displacement Grid 1	28.25000	5.50000	-3.50000	0.02460	-3.7250	-7.4929E-6
-0.044816 821.07E-9						
1 Displacement Grid 1	29.25000	5.50000	-3.50000	0.02460	-3.7250	-6.8995E-6
-0.042726 782.79E-9						
1 Displacement Grid 1	30.25000	5.50000	-3.50000	0.02453	-3.7250	-6.2853E-6
-0.040474 741.55E-9						
1 Displacement Grid 1	31.25000	5.50000	-3.50000	0.02436	-3.7250	-5.6719E-6
-0.038125 698.54E-9						
1 Displacement Grid 1	32.25000	5.50000	-3.50000	0.02410	-3.7250	-5.0769E-6
-0.035738 654.81E-9						
1 Displacement Grid 1	33.25000	5.50000	-3.50000	0.02373	-3.7250	-4.5129E-6
-0.033360 611.26E-9						
1 Displacement Grid 1	34.25000	5.50000	-3.50000	0.02326	-3.7250	-3.9886E-6
-0.031031 568.62E-9						
1 Displacement Grid 1	35.25000	5.50000	-3.50000	0.02270	-3.7250	-3.5087E-6
-0.028783 527.43E-9						
1 Displacement Grid 1	36.25000	5.50000	-3.50000	0.02206	-3.7250	-3.0753E-6
-0.026637 488.11E-9						
1 Displacement Grid 1	37.25000	5.50000	-3.50000	0.02135	-3.7250	-2.6879E-6
-0.024607 450.93E-9						
1 Displacement Grid 1	38.25000	5.50000	-3.50000	0.02059	-3.7250	-2.3446E-6
-0.022702 416.03E-9						
1 Displacement Grid 1	39.25000	5.50000	-3.50000	0.01979	-3.7250	-2.0423E-6
-0.020926 383.50E-9						
1 Displacement Grid 1	40.25000	5.50000	-3.50000	0.01896	-3.7250	-1.7778E-6
-0.019279 353.32E-9						
1 Displacement Grid 1	41.25000	5.50000	-3.50000	0.01812	-3.7250	-1.5471E-6
-0.017757 325.44E-9						
1 Displacement Grid 1	42.25000	5.50000	-3.50000	0.01727	-3.7250	-1.3466E-6
-0.016356 299.76E-9						
1 Displacement Grid 1	43.25000	5.50000	-3.50000	0.01644	-3.7250	-1.1727E-6
-0.015069 276.19E-9						
1 Displacement Grid 1	44.25000	5.50000	-3.50000	0.01561	-3.7250	-1.0222E-6
-0.013890 254.57E-9						
1 Displacement Grid 1	45.25000	5.50000	-3.50000	0.01481	-3.7250	-891.97E-9
-0.012810 234.79E-9						
1 Displacement Grid 1	46.25000	5.50000	-3.50000	0.01403	-3.7250	-779.35E-9
-0.011823 216.70E-9						
1 Displacement Grid 1	0.25000	6.50000	-3.50000	0.01481	-3.7250	-906.73E-9
-0.012901 236.45E-9						
1 Displacement Grid 1	1.25000	6.50000	-3.50000	0.01564	-3.7250	-1.0458E-6
-0.014038 257.29E-9						
1 Displacement Grid 1	2.25000	6.50000	-3.50000	0.01649	-3.7250	-1.2084E-6
-0.015291 280.24E-9						
1 Displacement Grid 1	3.25000	6.50000	-3.50000	0.01736	-3.7250	-1.3985E-6
-0.016669 305.50E-9						
1 Displacement Grid 1	4.25000	6.50000	-3.50000	0.01823	-3.7250	-1.6206E-6
-0.018185 333.27E-9						
1 Displacement Grid 1	5.25000	6.50000	-3.50000	0.01911	-3.7250	-1.8801E-6
-0.019848 363.75E-9						
1 Displacement Grid 1	6.25000	6.50000	-3.50000	0.01997	-3.7250	-2.1827E-6
-0.021670 397.13E-9						
1 Displacement Grid 1	7.25000	6.50000	-3.50000	0.02080	-3.7250	-2.5344E-6
-0.023660 433.58E-9						
1 Displacement Grid 1	8.25000	6.50000	-3.50000	0.02158	-3.7250	-2.9419E-6
-0.025824 473.21E-9						
1 Displacement Grid 1	9.25000	6.50000	-3.50000	0.02229	-3.7250	-3.4114E-6
-0.028165 516.10E-9						
1 Displacement Grid 1	10.25000	6.50000	-3.50000	0.02292	-3.7250	-3.9487E-6
-0.030681 562.20E-9						
1 Displacement Grid 1	11.25000	6.50000	-3.50000	0.02345	-3.7250	-4.5578E-6
-0.033365 611.35E-9						
1 Displacement Grid 1	12.25000	6.50000	-3.50000	0.02386	-3.7250	-5.2407E-6
-0.036197 663.23E-9						
1 Displacement Grid 1	13.25000	6.50000	-3.50000	0.02414	-3.7250	-5.9950E-6
-0.039150 717.30E-9						
1 Displacement Grid 1	14.25000	6.50000	-3.50000	0.02428	-3.7250	-6.8133E-6
-0.042180 772.80E-9						
1 Displacement Grid 1	15.25000	6.50000	-3.50000	0.02429	-3.7250	-7.6814E-6
-0.045232 828.68E-9						
1 Displacement Grid 1	16.25000	6.50000	-3.50000	0.02418	-3.7250	-8.5768E-6



-0.048232	883.63E-9						
1 Displacement	Grid 1	17.25000	6.50000	-3.50000	0.02398	-3.7250	-9.4688E-6
-0.051097	936.09E-9						
1 Displacement	Grid 1	18.25000	6.50000	-3.50000	0.02371	-3.7250	-10.319E-6
-0.053731	984.30E-9						
1 Displacement	Grid 1	19.25000	6.50000	-3.50000	0.02343	-3.7250	-11.085E-6
-0.056033	1.0264E-6						
1 Displacement	Grid 1	20.25000	6.50000	-3.50000	0.02318	-3.7250	-11.721E-6
-0.057905	1.0607E-6						
1 Displacement	Grid 1	21.25000	6.50000	-3.50000	0.02299	-3.7250	-12.186E-6
-0.059263	1.0856E-6						
1 Displacement	Grid 1	22.25000	6.50000	-3.50000	0.02289	-3.7250	-12.449E-6
-0.060042	1.0998E-6						
1 Displacement	Grid 1	23.25000	6.50000	-3.50000	0.02291	-3.7250	-12.491E-6
-0.060202	1.1028E-6						
1 Displacement	Grid 1	24.25000	6.50000	-3.50000	0.02304	-3.7250	-12.311E-6
-0.059740	1.0943E-6						
1 Displacement	Grid 1	25.25000	6.50000	-3.50000	0.02327	-3.7250	-11.923E-6
-0.058679	1.0749E-6						
1 Displacement	Grid 1	26.25000	6.50000	-3.50000	0.02356	-3.7250	-11.355E-6
-0.057076	1.0455E-6						
1 Displacement	Grid 1	27.25000	6.50000	-3.50000	0.02389	-3.7250	-10.646E-6
-0.055007	1.0077E-6						
1 Displacement	Grid 1	28.25000	6.50000	-3.50000	0.02421	-3.7250	-9.8371E-6
-0.052564	962.94E-9						
1 Displacement	Grid 1	29.25000	6.50000	-3.50000	0.02447	-3.7250	-8.9725E-6
-0.049844	913.14E-9						
1 Displacement	Grid 1	30.25000	6.50000	-3.50000	0.02464	-3.7250	-8.0903E-6
-0.046943	860.02E-9						
1 Displacement	Grid 1	31.25000	6.50000	-3.50000	0.02470	-3.7250	-7.2225E-6
-0.043948	805.18E-9						
1 Displacement	Grid 1	32.25000	6.50000	-3.50000	0.02462	-3.7250	-6.3935E-6
-0.040935	750.01E-9						
1 Displacement	Grid 1	33.25000	6.50000	-3.50000	0.02440	-3.7250	-5.6202E-6
-0.037968	695.66E-9						
1 Displacement	Grid 1	34.25000	6.50000	-3.50000	0.02405	-3.7250	-4.9125E-6
-0.035093	643.01E-9						
1 Displacement	Grid 1	35.25000	6.50000	-3.50000	0.02357	-3.7250	-4.2748E-6
-0.032347	592.71E-9						
1 Displacement	Grid 1	36.25000	6.50000	-3.50000	0.02298	-3.7250	-3.7075E-6
-0.029752	545.19E-9						
1 Displacement	Grid 1	37.25000	6.50000	-3.50000	0.02230	-3.7250	-3.2077E-6
-0.027323	500.69E-9						
1 Displacement	Grid 1	38.25000	6.50000	-3.50000	0.02153	-3.7250	-2.7709E-6
-0.025066	459.35E-9						
1 Displacement	Grid 1	39.25000	6.50000	-3.50000	0.02072	-3.7250	-2.3915E-6
-0.022981	421.15E-9						
1 Displacement	Grid 1	40.25000	6.50000	-3.50000	0.01986	-3.7250	-2.0635E-6
-0.021064	386.02E-9						
1 Displacement	Grid 1	41.25000	6.50000	-3.50000	0.01898	-3.7250	-1.7810E-6
-0.019308	353.84E-9						
1 Displacement	Grid 1	42.25000	6.50000	-3.50000	0.01809	-3.7250	-1.5382E-6
-0.017703	324.44E-9						
1 Displacement	Grid 1	43.25000	6.50000	-3.50000	0.01721	-3.7250	-1.3299E-6
-0.016240	297.64E-9						
1 Displacement	Grid 1	44.25000	6.50000	-3.50000	0.01633	-3.7250	-1.1512E-6
-0.014909	273.24E-9						
1 Displacement	Grid 1	45.25000	6.50000	-3.50000	0.01548	-3.7250	-998.14E-9
-0.013698	251.06E-9						
1 Displacement	Grid 1	46.25000	6.50000	-3.50000	0.01465	-3.7250	-866.89E-9
-0.012598	230.89E-9						
1 Displacement	Grid 1	0.25000	7.50000	-3.50000	0.01543	-3.7250	-1.0085E-6
-0.013745	251.91E-9						
1 Displacement	Grid 1	1.25000	7.50000	-3.50000	0.01631	-3.7250	-1.1706E-6
-0.015013	275.14E-9						
1 Displacement	Grid 1	2.25000	7.50000	-3.50000	0.01721	-3.7250	-1.3619E-6
-0.016418	300.90E-9						
1 Displacement	Grid 1	3.25000	7.50000	-3.50000	0.01812	-3.7250	-1.5879E-6
-0.017976	329.44E-9						
1 Displacement	Grid 1	4.25000	7.50000	-3.50000	0.01904	-3.7250	-1.8548E-6
-0.019701	361.05E-9						

1 Displacement Grid 1	5.25000	7.50000	-3.50000	0.01995	-3.7250	-2.1703E-6
-0.021611 396.04E-9						
1 Displacement Grid 1	6.25000	7.50000	-3.50000	0.02083	-3.7250	-2.5428E-6
-0.023720 434.69E-9						
1 Displacement Grid 1	7.25000	7.50000	-3.50000	0.02166	-3.7250	-2.9817E-6
-0.026045 477.28E-9						
1 Displacement Grid 1	8.25000	7.50000	-3.50000	0.02243	-3.7250	-3.4975E-6
-0.028599 524.05E-9						
1 Displacement Grid 1	9.25000	7.50000	-3.50000	0.02309	-3.7250	-4.1011E-6
-0.031391 575.19E-9						
1 Displacement Grid 1	10.25000	7.50000	-3.50000	0.02364	-3.7250	-4.8030E-6
-0.034426 630.78E-9						
1 Displacement Grid 1	11.25000	7.50000	-3.50000	0.02403	-3.7250	-5.6126E-6
-0.037699 690.74E-9						
1 Displacement Grid 1	12.25000	7.50000	-3.50000	0.02426	-3.7250	-6.5364E-6
-0.041197 754.79E-9						
1 Displacement Grid 1	13.25000	7.50000	-3.50000	0.02430	-3.7250	-7.5759E-6
-0.044888 822.39E-9						
1 Displacement Grid 1	14.25000	7.50000	-3.50000	0.02415	-3.7250	-8.7247E-6
-0.048724 892.64E-9						
1 Displacement Grid 1	15.25000	7.50000	-3.50000	0.02381	-3.7250	-9.9658E-6
-0.052636 964.25E-9						
1 Displacement Grid 1	16.25000	7.50000	-3.50000	0.02331	-3.7250	-11.269E-6
-0.056529 1.0355E-6						
1 Displacement Grid 1	17.25000	7.50000	-3.50000	0.02269	-3.7250	-12.589E-6
-0.060289 1.1044E-6						
1 Displacement Grid 1	18.25000	7.50000	-3.50000	0.02201	-3.7250	-13.867E-6
-0.063780 1.1683E-6						
1 Displacement Grid 1	19.25000	7.50000	-3.50000	0.02134	-3.7250	-15.032E-6
-0.066859 1.2246E-6						
1 Displacement Grid 1	20.25000	7.50000	-3.50000	0.02074	-3.7250	-16.009E-6
-0.069381 1.2708E-6						
1 Displacement Grid 1	21.25000	7.50000	-3.50000	0.02030	-3.7250	-16.727E-6
-0.071217 1.3044E-6						
1 Displacement Grid 1	22.25000	7.50000	-3.50000	0.02007	-3.7250	-17.133E-6
-0.072269 1.3237E-6						
1 Displacement Grid 1	23.25000	7.50000	-3.50000	0.02007	-3.7250	-17.194E-6
-0.072479 1.3275E-6						
1 Displacement Grid 1	24.25000	7.50000	-3.50000	0.02031	-3.7250	-16.907E-6
-0.071839 1.3158E-6						
1 Displacement Grid 1	25.25000	7.50000	-3.50000	0.02076	-3.7250	-16.298E-6
-0.070389 1.2893E-6						
1 Displacement Grid 1	26.25000	7.50000	-3.50000	0.02138	-3.7250	-15.418E-6
-0.068213 1.2494E-6						
1 Displacement Grid 1	27.25000	7.50000	-3.50000	0.02209	-3.7250	-14.332E-6
-0.065430 1.1985E-6						
1 Displacement Grid 1	28.25000	7.50000	-3.50000	0.02282	-3.7250	-13.111E-6
-0.062174 1.1389E-6						
1 Displacement Grid 1	29.25000	7.50000	-3.50000	0.02350	-3.7250	-11.826E-6
-0.058588 1.0732E-6						
1 Displacement Grid 1	30.25000	7.50000	-3.50000	0.02407	-3.7250	-10.536E-6
-0.054805 1.0040E-6						
1 Displacement Grid 1	31.25000	7.50000	-3.50000	0.02448	-3.7250	-9.2898E-6
-0.050947 933.35E-9						
1 Displacement Grid 1	32.25000	7.50000	-3.50000	0.02472	-3.7250	-8.1201E-6
-0.047114 863.15E-9						
1 Displacement Grid 1	33.25000	7.50000	-3.50000	0.02476	-3.7250	-7.0482E-6
-0.043383 794.83E-9						
1 Displacement Grid 1	34.25000	7.50000	-3.50000	0.02461	-3.7250	-6.0846E-6
-0.039813 729.46E-9						
1 Displacement Grid 1	35.25000	7.50000	-3.50000	0.02427	-3.7250	-5.2312E-6
-0.036443 667.73E-9						
1 Displacement Grid 1	36.25000	7.50000	-3.50000	0.02378	-3.7250	-4.4845E-6
-0.033295 610.08E-9						
1 Displacement Grid 1	37.25000	7.50000	-3.50000	0.02316	-3.7250	-3.8372E-6
-0.030381 556.70E-9						
1 Displacement Grid 1	38.25000	7.50000	-3.50000	0.02243	-3.7250	-3.2800E-6
-0.027701 507.62E-9						
1 Displacement Grid 1	39.25000	7.50000	-3.50000	0.02161	-3.7250	-2.8029E-6
-0.025250 462.72E-9						
1 Displacement Grid 1	40.25000	7.50000	-3.50000	0.02074	-3.7250	-2.3961E-6

-0.023018	421.82E-9						
1 Displacement	Grid 1	41.25000	7.50000	-3.50000	0.01983	-3.7250	-2.0500E-6
-0.020991	384.68E-9						
1 Displacement	Grid 1	42.25000	7.50000	-3.50000	0.01890	-3.7250	-1.7561E-6
-0.019154	351.03E-9						
1 Displacement	Grid 1	43.25000	7.50000	-3.50000	0.01797	-3.7250	-1.5067E-6
-0.017493	320.59E-9						
1 Displacement	Grid 1	44.25000	7.50000	-3.50000	0.01705	-3.7250	-1.2950E-6
-0.015991	293.08E-9						
1 Displacement	Grid 1	45.25000	7.50000	-3.50000	0.01615	-3.7250	-1.1154E-6
-0.014635	268.23E-9						
1 Displacement	Grid 1	46.25000	7.50000	-3.50000	0.01527	-3.7250	-962.77E-9
-0.013410	245.79E-9						
1 Displacement	Grid 1	0.25000	8.50000	-3.50000	0.01605	-3.7250	-1.1194E-6
-0.014626	268.06E-9						
1 Displacement	Grid 1	1.25000	8.50000	-3.50000	0.01698	-3.7250	-1.3078E-6
-0.016037	293.91E-9						
1 Displacement	Grid 1	2.25000	8.50000	-3.50000	0.01792	-3.7250	-1.5324E-6
-0.017611	322.75E-9						
1 Displacement	Grid 1	3.25000	8.50000	-3.50000	0.01888	-3.7250	-1.8003E-6
-0.019368	354.95E-9						
1 Displacement	Grid 1	4.25000	8.50000	-3.50000	0.01983	-3.7250	-2.1206E-6
-0.021330	390.90E-9						
1 Displacement	Grid 1	5.25000	8.50000	-3.50000	0.02076	-3.7250	-2.5036E-6
-0.023520	431.02E-9						
1 Displacement	Grid 1	6.25000	8.50000	-3.50000	0.02165	-3.7250	-2.9618E-6
-0.025961	475.74E-9						
1 Displacement	Grid 1	7.25000	8.50000	-3.50000	0.02246	-3.7250	-3.5096E-6
-0.028678	525.51E-9						
1 Displacement	Grid 1	8.25000	8.50000	-3.50000	0.02317	-3.7250	-4.1634E-6
-0.031694	580.76E-9						
1 Displacement	Grid 1	9.25000	8.50000	-3.50000	0.02375	-3.7250	-4.9412E-6
-0.035030	641.84E-9						
1 Displacement	Grid 1	10.25000	8.50000	-3.50000	0.02414	-3.7250	-5.8619E-6
-0.038699	709.04E-9						
1 Displacement	Grid 1	11.25000	8.50000	-3.50000	0.02433	-3.7250	-6.9443E-6
-0.042708	782.46E-9						
1 Displacement	Grid 1	12.25000	8.50000	-3.50000	0.02426	-3.7250	-8.2041E-6
-0.047049	861.96E-9						
1 Displacement	Grid 1	13.25000	8.50000	-3.50000	0.02393	-3.7250	-9.6514E-6
-0.051695	947.02E-9						
1 Displacement	Grid 1	14.25000	8.50000	-3.50000	0.02331	-3.7250	-11.285E-6
-0.056593	1.0367E-6						
1 Displacement	Grid 1	15.25000	8.50000	-3.50000	0.02242	-3.7250	-13.089E-6
-0.061659	1.1294E-6						
1 Displacement	Grid 1	16.25000	8.50000	-3.50000	0.02130	-3.7250	-15.022E-6
-0.066773	1.2231E-6						
1 Displacement	Grid 1	17.25000	8.50000	-3.50000	0.02001	-3.7250	-17.020E-6
-0.071778	1.3147E-6						
1 Displacement	Grid 1	18.25000	8.50000	-3.50000	0.01865	-3.7250	-18.989E-6
-0.076483	1.4008E-6						
1 Displacement	Grid 1	19.25000	8.50000	-3.50000	0.01734	-3.7250	-20.810E-6
-0.080676	1.4775E-6						
1 Displacement	Grid 1	20.25000	8.50000	-3.50000	0.01619	-3.7250	-22.356E-6
-0.084138	1.5409E-6						
1 Displacement	Grid 1	21.25000	8.50000	-3.50000	0.01534	-3.7250	-23.501E-6
-0.086671	1.5872E-6						
1 Displacement	Grid 1	22.25000	8.50000	-3.50000	0.01488	-3.7250	-24.146E-6
-0.088122	1.6138E-6						
1 Displacement	Grid 1	23.25000	8.50000	-3.50000	0.01485	-3.7250	-24.234E-6
-0.088400	1.6189E-6						
1 Displacement	Grid 1	24.25000	8.50000	-3.50000	0.01527	-3.7250	-23.761E-6
-0.087493	1.6023E-6						
1 Displacement	Grid 1	25.25000	8.50000	-3.50000	0.01609	-3.7250	-22.776E-6
-0.085467	1.5652E-6						
1 Displacement	Grid 1	26.25000	8.50000	-3.50000	0.01722	-3.7250	-21.370E-6
-0.082456	1.5101E-6						
1 Displacement	Grid 1	27.25000	8.50000	-3.50000	0.01854	-3.7250	-19.660E-6
-0.078642	1.4403E-6						
1 Displacement	Grid 1	28.25000	8.50000	-3.50000	0.01994	-3.7250	-17.771E-6
-0.074231	1.3596E-6						

1 Displacement Grid 1	29.25000	8.50000	-3.50000	0.02129	-3.7250	-15.818E-6
-0.069432 1.2717E-6						
1 Displacement Grid 1	30.25000	8.50000	-3.50000	0.02249	-3.7250	-13.896E-6
-0.064437 1.1803E-6						
1 Displacement Grid 1	31.25000	8.50000	-3.50000	0.02348	-3.7250	-12.076E-6
-0.059413 1.0883E-6						
1 Displacement Grid 1	32.25000	8.50000	-3.50000	0.02421	-3.7250	-10.403E-6
-0.054490 998.21E-9						
1 Displacement Grid 1	33.25000	8.50000	-3.50000	0.02465	-3.7250	-8.9014E-6
-0.049766 911.72E-9						
1 Displacement Grid 1	34.25000	8.50000	-3.50000	0.02482	-3.7250	-7.5778E-6
-0.045307 830.06E-9						
1 Displacement Grid 1	35.25000	8.50000	-3.50000	0.02473	-3.7250	-6.4281E-6
-0.041152 753.99E-9						
1 Displacement Grid 1	36.25000	8.50000	-3.50000	0.02441	-3.7250	-5.4405E-6
-0.037322 683.83E-9						
1 Displacement Grid 1	37.25000	8.50000	-3.50000	0.02390	-3.7250	-4.5992E-6
-0.033818 619.65E-9						
1 Displacement Grid 1	38.25000	8.50000	-3.50000	0.02324	-3.7250	-3.8869E-6
-0.030632 561.30E-9						
1 Displacement Grid 1	39.25000	8.50000	-3.50000	0.02246	-3.7250	-3.2865E-6
-0.027749 508.49E-9						
1 Displacement Grid 1	40.25000	8.50000	-3.50000	0.02159	-3.7250	-2.7817E-6
-0.025149 460.87E-9						
1 Displacement Grid 1	41.25000	8.50000	-3.50000	0.02066	-3.7250	-2.3580E-6
-0.022811 418.03E-9						
1 Displacement Grid 1	42.25000	8.50000	-3.50000	0.01970	-3.7250	-2.0027E-6
-0.020711 379.55E-9						
1 Displacement Grid 1	43.25000	8.50000	-3.50000	0.01873	-3.7250	-1.7047E-6
-0.018826 345.02E-9						
1 Displacement Grid 1	44.25000	8.50000	-3.50000	0.01776	-3.7250	-1.4545E-6
-0.017136 314.04E-9						
1 Displacement Grid 1	45.25000	8.50000	-3.50000	0.01681	-3.7250	-1.2442E-6
-0.015619 286.26E-9						
1 Displacement Grid 1	46.25000	8.50000	-3.50000	0.01588	-3.7250	-1.0671E-6
-0.014259 261.33E-9						
1 Displacement Grid 1	0.25000	9.50000	-3.50000	0.01666	-3.7250	-1.2393E-6
-0.015541 284.82E-9						
1 Displacement Grid 1	1.25000	9.50000	-3.50000	0.01763	-3.7250	-1.4576E-6
-0.017106 313.51E-9						
1 Displacement Grid 1	2.25000	9.50000	-3.50000	0.01862	-3.7250	-1.7203E-6
-0.018866 345.74E-9						
1 Displacement Grid 1	3.25000	9.50000	-3.50000	0.01962	-3.7250	-2.0371E-6
-0.020844 381.99E-9						
1 Displacement Grid 1	4.25000	9.50000	-3.50000	0.02059	-3.7250	-2.4202E-6
-0.023071 422.79E-9						
1 Displacement Grid 1	5.25000	9.50000	-3.50000	0.02153	-3.7250	-2.8842E-6
-0.025578 468.72E-9						
1 Displacement Grid 1	6.25000	9.50000	-3.50000	0.02240	-3.7250	-3.4471E-6
-0.028400 520.41E-9						
1 Displacement Grid 1	7.25000	9.50000	-3.50000	0.02317	-3.7250	-4.1302E-6
-0.031574 578.54E-9						
1 Displacement Grid 1	8.25000	9.50000	-3.50000	0.02379	-3.7250	-4.9590E-6
-0.035136 643.79E-9						
1 Displacement Grid 1	9.25000	9.50000	-3.50000	0.02420	-3.7250	-5.9628E-6
-0.039124 716.83E-9						
1 Displacement Grid 1	10.25000	9.50000	-3.50000	0.02437	-3.7250	-7.1744E-6
-0.043569 798.23E-9						
1 Displacement Grid 1	11.25000	9.50000	-3.50000	0.02422	-3.7250	-8.6287E-6
-0.048494 888.42E-9						
1 Displacement Grid 1	12.25000	9.50000	-3.50000	0.02372	-3.7250	-10.360E-6
-0.053908 987.55E-9						
1 Displacement Grid 1	13.25000	9.50000	-3.50000	0.02281	-3.7250	-12.396E-6
-0.059794 1.0953E-6						
1 Displacement Grid 1	14.25000	9.50000	-3.50000	0.02148	-3.7250	-14.751E-6
-0.066101 1.2108E-6						
1 Displacement Grid 1	15.25000	9.50000	-3.50000	0.01974	-3.7250	-17.416E-6
-0.072734 1.3322E-6						
1 Displacement Grid 1	16.25000	9.50000	-3.50000	0.01765	-3.7250	-20.345E-6
-0.079542 1.4568E-6						
1 Displacement Grid 1	17.25000	9.50000	-3.50000	0.01531	-3.7250	-23.444E-6

-0.086312	1.5806E-6						
1 Displacement Grid 1	18.25000	9.50000	-3.50000	0.01287	-3.7250	-26.564E-6	
-0.092769	1.6988E-6						
1 Displacement Grid 1	19.25000	9.50000	-3.50000	0.01052	-3.7250	-29.505E-6	
-0.098596	1.8054E-6						
1 Displacement Grid 1	20.25000	9.50000	-3.50000	0.00848	-3.7250	-32.035E-6	
-0.10346	1.8943E-6						
1 Displacement Grid 1	21.25000	9.50000	-3.50000	0.00696	-3.7250	-33.925E-6	
-0.10703	1.9598E-6						
1 Displacement Grid 1	22.25000	9.50000	-3.50000	0.00611	-3.7250	-34.987E-6	
-0.10908	1.9972E-6						
1 Displacement Grid 1	23.25000	9.50000	-3.50000	0.00604	-3.7250	-35.115E-6	
-0.10945	2.0040E-6						
1 Displacement Grid 1	24.25000	9.50000	-3.50000	0.00675	-3.7250	-34.303E-6	
-0.10813	1.9799E-6						
1 Displacement Grid 1	25.25000	9.50000	-3.50000	0.00816	-3.7250	-32.648E-6	
-0.10523	1.9268E-6						
1 Displacement Grid 1	26.25000	9.50000	-3.50000	0.01012	-3.7250	-30.324E-6	
-0.10097	1.8488E-6						
1 Displacement Grid 1	27.25000	9.50000	-3.50000	0.01243	-3.7250	-27.548E-6	
-0.095631	1.7512E-6						
1 Displacement Grid 1	28.25000	9.50000	-3.50000	0.01489	-3.7250	-24.542E-6	
-0.089543	1.6398E-6						
1 Displacement Grid 1	29.25000	9.50000	-3.50000	0.01730	-3.7250	-21.501E-6	
-0.083018	1.5204E-6						
1 Displacement Grid 1	30.25000	9.50000	-3.50000	0.01950	-3.7250	-18.578E-6	
-0.076332	1.3981E-6						
1 Displacement Grid 1	31.25000	9.50000	-3.50000	0.02137	-3.7250	-15.875E-6	
-0.069714	1.2769E-6						
1 Displacement Grid 1	32.25000	9.50000	-3.50000	0.02285	-3.7250	-13.448E-6	
-0.063334	1.1601E-6						
1 Displacement Grid 1	33.25000	9.50000	-3.50000	0.02391	-3.7250	-11.320E-6	
-0.057308	1.0498E-6						
1 Displacement Grid 1	34.25000	9.50000	-3.50000	0.02457	-3.7250	-9.4867E-6	
-0.051707	947.27E-9						
1 Displacement Grid 1	35.25000	9.50000	-3.50000	0.02485	-3.7250	-7.9282E-6	
-0.046566	853.13E-9						
1 Displacement Grid 1	36.25000	9.50000	-3.50000	0.02480	-3.7250	-6.6165E-6	
-0.041891	767.51E-9						
1 Displacement Grid 1	37.25000	9.50000	-3.50000	0.02448	-3.7250	-5.5203E-6	
-0.037670	690.22E-9						
1 Displacement Grid 1	38.25000	9.50000	-3.50000	0.02394	-3.7250	-4.6086E-6	
-0.033880	620.80E-9						
1 Displacement Grid 1	39.25000	9.50000	-3.50000	0.02322	-3.7250	-3.8526E-6	
-0.030490	558.69E-9						
1 Displacement Grid 1	40.25000	9.50000	-3.50000	0.02238	-3.7250	-3.2268E-6	
-0.027465	503.28E-9						
1 Displacement Grid 1	41.25000	9.50000	-3.50000	0.02146	-3.7250	-2.7090E-6	
-0.024770	453.91E-9						
1 Displacement Grid 1	42.25000	9.50000	-3.50000	0.02048	-3.7250	-2.2803E-6	
-0.022372	409.98E-9						
1 Displacement Grid 1	43.25000	9.50000	-3.50000	0.01947	-3.7250	-1.9250E-6	
-0.020238	370.88E-9						
1 Displacement Grid 1	44.25000	9.50000	-3.50000	0.01847	-3.7250	-1.6301E-6	
-0.018338	336.08E-9						
1 Displacement Grid 1	45.25000	9.50000	-3.50000	0.01747	-3.7250	-1.3847E-6	
-0.016647	305.09E-9						
1 Displacement Grid 1	46.25000	9.50000	-3.50000	0.01649	-3.7250	-1.1800E-6	
-0.015139	277.46E-9						
1 Displacement Grid 1	0.25000	10.50000	-3.50000	0.01726	-3.7250	-1.3680E-6	
-0.016483	302.09E-9						
1 Displacement Grid 1	1.25000	10.50000	-3.50000	0.01828	-3.7250	-1.6198E-6	
-0.018216	333.84E-9						
1 Displacement Grid 1	2.25000	10.50000	-3.50000	0.01930	-3.7250	-1.9258E-6	
-0.020176	369.75E-9						
1 Displacement Grid 1	3.25000	10.50000	-3.50000	0.02032	-3.7250	-2.2990E-6	
-0.022398	410.45E-9						
1 Displacement Grid 1	4.25000	10.50000	-3.50000	0.02131	-3.7250	-2.7555E-6	
-0.024919	456.64E-9						
1 Displacement Grid 1	5.25000	10.50000	-3.50000	0.02225	-3.7250	-3.3158E-6	
-0.027783	509.10E-9						

1 Displacement Grid 1	6.25000	10.50000	-3.50000	0.02308	-3.7250	-4.0053E-6
-0.031038 568.74E-9						
1 Displacement Grid 1	7.25000	10.50000	-3.50000	0.02375	-3.7250	-4.8555E-6
-0.034740 636.53E-9						
1 Displacement Grid 1	8.25000	10.50000	-3.50000	0.02422	-3.7250	-5.9052E-6
-0.038944 713.54E-9						
1 Displacement Grid 1	9.25000	10.50000	-3.50000	0.02441	-3.7250	-7.2011E-6
-0.043713 800.87E-9						
1 Displacement Grid 1	10.25000	10.50000	-3.50000	0.02423	-3.7250	-8.7986E-6
-0.049104 899.59E-9						
1 Displacement Grid 1	11.25000	10.50000	-3.50000	0.02360	-3.7250	-10.761E-6
-0.055171 1.0107E-6						
1 Displacement Grid 1	12.25000	10.50000	-3.50000	0.02245	-3.7250	-13.155E-6
-0.061951 1.1348E-6						
1 Displacement Grid 1	13.25000	10.50000	-3.50000	0.02069	-3.7250	-16.047E-6
-0.069454 1.2721E-6						
1 Displacement Grid 1	14.25000	10.50000	-3.50000	0.01830	-3.7250	-19.489E-6
-0.077646 1.4221E-6						
1 Displacement Grid 1	15.25000	10.50000	-3.50000	0.01528	-3.7250	-23.499E-6
-0.086430 1.5828E-6						
1 Displacement Grid 1	16.25000	10.50000	-3.50000	0.01170	-3.7250	-28.038E-6
-0.095623 1.7510E-6						
1 Displacement Grid 1	17.25000	10.50000	-3.50000	0.00771	-3.7250	-32.980E-6
-0.10494 1.9215E-6						
1 Displacement Grid 1	18.25000	10.50000	-3.50000	0.00356	-3.7250	-38.087E-6
-0.11398 2.0869E-6						
1 Displacement Grid 1	19.25000	10.50000	-3.50000	-0.00044	-3.7250	-43.011E-6
-0.12227 2.2385E-6						
1 Displacement Grid 1	20.25000	10.50000	-3.50000	-0.00392	-3.7250	-47.321E-6
-0.12927 2.3665E-6						
1 Displacement Grid 1	21.25000	10.50000	-3.50000	-0.00654	-3.7250	-50.572E-6
-0.13446 2.4614E-6						
1 Displacement Grid 1	22.25000	10.50000	-3.50000	-0.00801	-3.7250	-52.396E-6
-0.13743 2.5157E-6						
1 Displacement Grid 1	23.25000	10.50000	-3.50000	-0.00816	-3.7250	-52.581E-6
-0.13793 2.5249E-6						
1 Displacement Grid 1	24.25000	10.50000	-3.50000	-0.00698	-3.7250	-51.121E-6
-0.13595 2.4887E-6						
1 Displacement Grid 1	25.25000	10.50000	-3.50000	-0.00461	-3.7250	-48.217E-6
-0.13168 2.4105E-6						
1 Displacement Grid 1	26.25000	10.50000	-3.50000	-0.00131	-3.7250	-44.219E-6
-0.12548 2.2971E-6						
1 Displacement Grid 1	27.25000	10.50000	-3.50000	0.00259	-3.7250	-39.547E-6
-0.11783 2.1574E-6						
1 Displacement Grid 1	28.25000	10.50000	-3.50000	0.00672	-3.7250	-34.610E-6
-0.10926 2.0005E-6						
1 Displacement Grid 1	29.25000	10.50000	-3.50000	0.01078	-3.7250	-29.748E-6
-0.10023 1.8353E-6						
1 Displacement Grid 1	30.25000	10.50000	-3.50000	0.01450	-3.7250	-25.200E-6
-0.091144 1.6691E-6						
1 Displacement Grid 1	31.25000	10.50000	-3.50000	0.01772	-3.7250	-21.111E-6
-0.082323 1.5077E-6						
1 Displacement Grid 1	32.25000	10.50000	-3.50000	0.02034	-3.7250	-17.541E-6
-0.073977 1.3549E-6						
1 Displacement Grid 1	33.25000	10.50000	-3.50000	0.02232	-3.7250	-14.492E-6
-0.066236 1.2133E-6						
1 Displacement Grid 1	34.25000	10.50000	-3.50000	0.02370	-3.7250	-11.933E-6
-0.059165 1.0838E-6						
1 Displacement Grid 1	35.25000	10.50000	-3.50000	0.02453	-3.7250	-9.8087E-6
-0.052780 966.91E-9						
1 Displacement Grid 1	36.25000	10.50000	-3.50000	0.02488	-3.7250	-8.0607E-6
-0.047063 862.22E-9						
1 Displacement Grid 1	37.25000	10.50000	-3.50000	0.02484	-3.7250	-6.6301E-6
-0.041975 769.05E-9						
1 Displacement Grid 1	38.25000	10.50000	-3.50000	0.02448	-3.7250	-5.4629E-6
-0.037466 686.47E-9						
1 Displacement Grid 1	39.25000	10.50000	-3.50000	0.02388	-3.7250	-4.5121E-6
-0.033481 613.48E-9						
1 Displacement Grid 1	40.25000	10.50000	-3.50000	0.02310	-3.7250	-3.7377E-6
-0.029965 549.09E-9						
1 Displacement Grid 1	41.25000	10.50000	-3.50000	0.02220	-3.7250	-3.1062E-6

-0.026866	492.31E-9						
1 Displacement Grid 1	42.25000	10.50000	-3.50000	0.02122	-3.7250	-2.5906E-6	
-0.024133	442.24E-9						
1 Displacement Grid 1	43.25000	10.50000	-3.50000	0.02019	-3.7250	-2.1685E-6	
-0.021722	398.08E-9						
1 Displacement Grid 1	44.25000	10.50000	-3.50000	0.01915	-3.7250	-1.8220E-6	
-0.019594	359.09E-9						
1 Displacement Grid 1	45.25000	10.50000	-3.50000	0.01811	-3.7250	-1.5367E-6	
-0.017712	324.61E-9						
1 Displacement Grid 1	46.25000	10.50000	-3.50000	0.01709	-3.7250	-1.3011E-6	
-0.016046	294.08E-9						
1 Displacement Grid 1	0.25000	11.50000	-3.50000	0.01784	-3.7250	-1.5047E-6	
-0.017447	319.74E-9						
1 Displacement Grid 1	1.25000	11.50000	-3.50000	0.01889	-3.7250	-1.7937E-6	
-0.019357	354.75E-9						
1 Displacement Grid 1	2.25000	11.50000	-3.50000	0.01995	-3.7250	-2.1484E-6	
-0.021534	394.63E-9						
1 Displacement Grid 1	3.25000	11.50000	-3.50000	0.02099	-3.7250	-2.5857E-6	
-0.024019	440.16E-9						
1 Displacement Grid 1	4.25000	11.50000	-3.50000	0.02198	-3.7250	-3.1272E-6	
-0.026864	492.27E-9						
1 Displacement Grid 1	5.25000	11.50000	-3.50000	0.02289	-3.7250	-3.8008E-6	
-0.030125	552.02E-9						
1 Displacement Grid 1	6.25000	11.50000	-3.50000	0.02364	-3.7250	-4.6420E-6	
-0.033871	620.63E-9						
1 Displacement Grid 1	7.25000	11.50000	-3.50000	0.02419	-3.7250	-5.6967E-6	
-0.038178	699.51E-9						
1 Displacement Grid 1	8.25000	11.50000	-3.50000	0.02444	-3.7250	-7.0228E-6	
-0.043133	790.25E-9						
1 Displacement Grid 1	9.25000	11.50000	-3.50000	0.02429	-3.7250	-8.6937E-6	
-0.048829	894.56E-9						
1 Displacement Grid 1	10.25000	11.50000	-3.50000	0.02363	-3.7250	-10.801E-6	
-0.055369	1.0143E-6						
1 Displacement Grid 1	11.25000	11.50000	-3.50000	0.02233	-3.7250	-13.454E-6	
-0.062853	1.1513E-6						
1 Displacement Grid 1	12.25000	11.50000	-3.50000	0.02025	-3.7250	-16.783E-6	
-0.071372	1.3072E-6						
1 Displacement Grid 1	13.25000	11.50000	-3.50000	0.01728	-3.7250	-20.929E-6	
-0.080989	1.4833E-6						
1 Displacement Grid 1	14.25000	11.50000	-3.50000	0.01333	-3.7250	-26.026E-6	
-0.091718	1.6796E-6						
1 Displacement Grid 1	15.25000	11.50000	-3.50000	0.00839	-3.7250	-32.174E-6	
-0.10349	1.8948E-6						
1 Displacement Grid 1	16.25000	11.50000	-3.50000	0.00255	-3.7250	-39.384E-6	
-0.11609	2.1254E-6						
1 Displacement Grid 1	17.25000	11.50000	-3.50000	-0.00397	-3.7250	-47.512E-6	
-0.12916	2.3644E-6						
1 Displacement Grid 1	18.25000	11.50000	-3.50000	-0.01081	-3.7250	-56.190E-6	
-0.14213	2.6015E-6						
1 Displacement Grid 1	19.25000	11.50000	-3.50000	-0.01743	-3.7250	-64.796E-6	
-0.15424	2.8230E-6						
1 Displacement Grid 1	20.25000	11.50000	-3.50000	-0.02325	-3.7250	-72.492E-6	
-0.16462	3.0127E-6						
1 Displacement Grid 1	21.25000	11.50000	-3.50000	-0.02766	-3.7250	-78.372E-6	
-0.17239	3.1547E-6						
1 Displacement Grid 1	22.25000	11.50000	-3.50000	-0.03015	-3.7250	-81.660E-6	
-0.17683	3.2359E-6						
1 Displacement Grid 1	23.25000	11.50000	-3.50000	-0.03043	-3.7250	-81.915E-6	
-0.17752	3.2485E-6						
1 Displacement Grid 1	24.25000	11.50000	-3.50000	-0.02849	-3.7250	-79.141E-6	
-0.17443	3.1921E-6						
1 Displacement Grid 1	25.25000	11.50000	-3.50000	-0.02455	-3.7250	-73.779E-6	
-0.16792	3.0730E-6						
1 Displacement Grid 1	26.25000	11.50000	-3.50000	-0.01908	-3.7250	-66.573E-6	
-0.15863	2.9032E-6						
1 Displacement Grid 1	27.25000	11.50000	-3.50000	-0.01267	-3.7250	-58.377E-6	
-0.14738	2.6976E-6						
1 Displacement Grid 1	28.25000	11.50000	-3.50000	-0.00589	-3.7250	-49.975E-6	
-0.13501	2.4715E-6						
1 Displacement Grid 1	29.25000	11.50000	-3.50000	0.00072	-3.7250	-41.962E-6	
-0.12227	2.2385E-6						

1 Displacement Grid 1	30.25000	11.50000	-3.50000	0.00677	-3.7250	-34.715E-6
-0.10974 2.0094E-6						
1 Displacement Grid 1	31.25000	11.50000	-3.50000	0.01200	-3.7250	-28.410E-6
-0.097840 1.7916E-6						
1 Displacement Grid 1	32.25000	11.50000	-3.50000	0.01629	-3.7250	-23.081E-6
-0.086820 1.5900E-6						
1 Displacement Grid 1	33.25000	11.50000	-3.50000	0.01962	-3.7250	-18.669E-6
-0.076810 1.4068E-6						
1 Displacement Grid 1	34.25000	11.50000	-3.50000	0.02204	-3.7250	-15.070E-6
-0.067844 1.2427E-6						
1 Displacement Grid 1	35.25000	11.50000	-3.50000	0.02365	-3.7250	-12.163E-6
-0.059893 1.0971E-6						
1 Displacement Grid 1	36.25000	11.50000	-3.50000	0.02457	-3.7250	-9.8285E-6
-0.052893 968.98E-9						
1 Displacement Grid 1	37.25000	11.50000	-3.50000	0.02493	-3.7250	-7.9608E-6
-0.046759 856.66E-9						
1 Displacement Grid 1	38.25000	11.50000	-3.50000	0.02484	-3.7250	-6.4682E-6
-0.041400 758.52E-9						
1 Displacement Grid 1	39.25000	11.50000	-3.50000	0.02441	-3.7250	-5.2749E-6
-0.036724 672.89E-9						
1 Displacement Grid 1	40.25000	11.50000	-3.50000	0.02373	-3.7250	-4.3193E-6
-0.032647 598.21E-9						
1 Displacement Grid 1	41.25000	11.50000	-3.50000	0.02288	-3.7250	-3.5521E-6
-0.029091 533.08E-9						
1 Displacement Grid 1	42.25000	11.50000	-3.50000	0.02191	-3.7250	-2.9343E-6
-0.025986 476.20E-9						
1 Displacement Grid 1	43.25000	11.50000	-3.50000	0.02087	-3.7250	-2.4350E-6
-0.023272 426.47E-9						
1 Displacement Grid 1	44.25000	11.50000	-3.50000	0.01980	-3.7250	-2.0299E-6
-0.020894 382.92E-9						
1 Displacement Grid 1	45.25000	11.50000	-3.50000	0.01873	-3.7250	-1.6998E-6
-0.018808 344.69E-9						
1 Displacement Grid 1	46.25000	11.50000	-3.50000	0.01767	-3.7250	-1.4297E-6
-0.016973 311.06E-9						
1 Displacement Grid 1	0.25000	12.50000	-3.50000	0.01840	-3.7250	-1.6482E-6
-0.018421 337.60E-9						
1 Displacement Grid 1	1.25000	12.50000	-3.50000	0.01948	-3.7250	-1.9780E-6
-0.020520 376.05E-9						
1 Displacement Grid 1	2.25000	12.50000	-3.50000	0.02056	-3.7250	-2.3867E-6
-0.022926 420.14E-9						
1 Displacement Grid 1	3.25000	12.50000	-3.50000	0.02161	-3.7250	-2.8961E-6
-0.025696 470.88E-9						
1 Displacement Grid 1	4.25000	12.50000	-3.50000	0.02259	-3.7250	-3.5347E-6
-0.028892 529.43E-9						
1 Displacement Grid 1	5.25000	12.50000	-3.50000	0.02344	-3.7250	-4.3397E-6
-0.032592 597.20E-9						
1 Displacement Grid 1	6.25000	12.50000	-3.50000	0.02409	-3.7250	-5.3606E-6
-0.036886 675.84E-9						
1 Displacement Grid 1	7.25000	12.50000	-3.50000	0.02445	-3.7250	-6.6623E-6
-0.041880 767.31E-9						
1 Displacement Grid 1	8.25000	12.50000	-3.50000	0.02441	-3.7250	-8.3305E-6
-0.047701 873.90E-9						
1 Displacement Grid 1	9.25000	12.50000	-3.50000	0.02381	-3.7250	-10.478E-6
-0.054491 998.24E-9						
1 Displacement Grid 1	10.25000	12.50000	-3.50000	0.02250	-3.7250	-13.253E-6
-0.062415 1.1433E-6						
1 Displacement Grid 1	11.25000	12.50000	-3.50000	0.02026	-3.7250	-16.843E-6
-0.071648 1.3123E-6						
1 Displacement Grid 1	12.25000	12.50000	-3.50000	0.01690	-3.7250	-21.488E-6
-0.082373 1.5086E-6						
1 Displacement Grid 1	13.25000	12.50000	-3.50000	0.01222	-3.7250	-27.474E-6
-0.094756 1.7352E-6						
1 Displacement Grid 1	14.25000	12.50000	-3.50000	0.00604	-3.7250	-35.118E-6
-0.10891 1.9941E-6						
1 Displacement Grid 1	15.25000	12.50000	-3.50000	-0.00170	-3.7250	-44.723E-6
-0.12486 2.2857E-6						
1 Displacement Grid 1	16.25000	12.50000	-3.50000	-0.01092	-3.7250	-56.483E-6
-0.14241 2.6068E-6						
1 Displacement Grid 1	17.25000	12.50000	-3.50000	-0.02133	-3.7250	-70.330E-6
-0.16114 2.9491E-6						
1 Displacement Grid 1	18.25000	12.50000	-3.50000	-0.03235	-3.7250	-85.734E-6



-0.18024	3.2980E-6							
1 Displacement Grid 1		19.25000	12.50000	-3.50000	-0.04318	-3.7250	-101.56E-6	
-0.19851	3.6318E-6							
1 Displacement Grid 1		20.25000	12.50000	-3.50000	-0.05278	-3.7250	-116.11E-6	
-0.21446	3.9232E-6							
1 Displacement Grid 1		21.25000	12.50000	-3.50000	-0.06011	-3.7250	-127.40E-6	
-0.22655	4.1439E-6							
1 Displacement Grid 1		22.25000	12.50000	-3.50000	-0.06430	-3.7250	-133.69E-6	
-0.23344	4.2699E-6							
1 Displacement Grid 1		23.25000	12.50000	-3.50000	-0.06481	-3.7250	-134.00E-6	
-0.23439	4.2873E-6							
1 Displacement Grid 1		24.25000	12.50000	-3.50000	-0.06160	-3.7250	-128.36E-6	
-0.22936	4.1954E-6							
1 Displacement Grid 1		25.25000	12.50000	-3.50000	-0.05510	-3.7250	-117.84E-6	
-0.21902	4.0067E-6							
1 Displacement Grid 1		26.25000	12.50000	-3.50000	-0.04613	-3.7250	-104.11E-6	
-0.20459	3.7431E-6							
1 Displacement Grid 1		27.25000	12.50000	-3.50000	-0.03569	-3.7250	-89.016E-6	
-0.18752	3.4313E-6							
1 Displacement Grid 1		28.25000	12.50000	-3.50000	-0.02477	-3.7250	-74.116E-6	
-0.16922	3.0969E-6							
1 Displacement Grid 1		29.25000	12.50000	-3.50000	-0.01423	-3.7250	-60.464E-6	
-0.15086	2.7613E-6							
1 Displacement Grid 1		30.25000	12.50000	-3.50000	-0.00467	-3.7250	-48.607E-6	
-0.13328	2.4399E-6							
1 Displacement Grid 1		31.25000	12.50000	-3.50000	0.00355	-3.7250	-38.694E-6	
-0.11702	2.1426E-6							
1 Displacement Grid 1		32.25000	12.50000	-3.50000	0.01026	-3.7250	-30.626E-6	
-0.10234	1.8740E-6							
1 Displacement Grid 1		33.25000	12.50000	-3.50000	0.01550	-3.7250	-24.180E-6	
-0.089323	1.6358E-6							
1 Displacement Grid 1		34.25000	12.50000	-3.50000	0.01938	-3.7250	-19.090E-6	
-0.077914	1.4270E-6							
1 Displacement Grid 1		35.25000	12.50000	-3.50000	0.02207	-3.7250	-15.099E-6	
-0.067999	1.2455E-6							
1 Displacement Grid 1		36.25000	12.50000	-3.50000	0.02378	-3.7250	-11.980E-6	
-0.059428	1.0886E-6							
1 Displacement Grid 1		37.25000	12.50000	-3.50000	0.02468	-3.7250	-9.5452E-6	
-0.052041	953.38E-9							
1 Displacement Grid 1		38.25000	12.50000	-3.50000	0.02497	-3.7250	-7.6414E-6	
-0.045683	836.97E-9							
1 Displacement Grid 1		39.25000	12.50000	-3.50000	0.02478	-3.7250	-6.1492E-6	
-0.040212	736.77E-9							
1 Displacement Grid 1		40.25000	12.50000	-3.50000	0.02425	-3.7250	-4.9752E-6	
-0.035499	650.45E-9							
1 Displacement Grid 1		41.25000	12.50000	-3.50000	0.02348	-3.7250	-4.0476E-6	
-0.031434	575.99E-9							
1 Displacement Grid 1		42.25000	12.50000	-3.50000	0.02255	-3.7250	-3.3113E-6	
-0.027919	511.61E-9							
1 Displacement Grid 1		43.25000	12.50000	-3.50000	0.02151	-3.7250	-2.7238E-6	
-0.024874	455.83E-9							
1 Displacement Grid 1		44.25000	12.50000	-3.50000	0.02043	-3.7250	-2.2526E-6	
-0.022229	407.37E-9							
1 Displacement Grid 1		45.25000	12.50000	-3.50000	0.01932	-3.7250	-1.8728E-6	
-0.019925	365.15E-9							
1 Displacement Grid 1		46.25000	12.50000	-3.50000	0.01823	-3.7250	-1.5650E-6	
-0.017911	328.26E-9							
1 Displacement Grid 1		0.25000	13.50000	-3.50000	0.01893	-3.7250	-1.7970E-6	
-0.019397	355.48E-9							
1 Displacement Grid 1		1.25000	13.50000	-3.50000	0.02004	-3.7250	-2.1708E-6	
-0.021690	397.49E-9							
1 Displacement Grid 1		2.25000	13.50000	-3.50000	0.02114	-3.7250	-2.6385E-6	
-0.024339	446.02E-9							
1 Displacement Grid 1		3.25000	13.50000	-3.50000	0.02218	-3.7250	-3.2277E-6	
-0.027410	502.27E-9							
1 Displacement Grid 1		4.25000	13.50000	-3.50000	0.02313	-3.7250	-3.9753E-6	
-0.030984	567.74E-9							
1 Displacement Grid 1		5.25000	13.50000	-3.50000	0.02390	-3.7250	-4.9307E-6	
-0.035159	644.23E-9							
1 Displacement Grid 1		6.25000	13.50000	-3.50000	0.02440	-3.7250	-6.1607E-6	
-0.040057	733.93E-9							

1 Displacement Grid 1	7.25000	13.50000	-3.50000	0.02452	-3.7250	-7.7564E-6
-0.045822 839.50E-9						
1 Displacement Grid 1	8.25000	13.50000	-3.50000	0.02409	-3.7250	-9.8417E-6
-0.052631 964.17E-9						
1 Displacement Grid 1	9.25000	13.50000	-3.50000	0.02291	-3.7250	-12.587E-6
-0.060695 1.1118E-6						
1 Displacement Grid 1	10.25000	13.50000	-3.50000	0.02074	-3.7250	-16.225E-6
-0.070268 1.2870E-6						
1 Displacement Grid 1	11.25000	13.50000	-3.50000	0.01727	-3.7250	-21.073E-6
-0.081641 1.4952E-6						
1 Displacement Grid 1	12.25000	13.50000	-3.50000	0.01219	-3.7250	-27.559E-6
-0.095146 1.7423E-6						
1 Displacement Grid 1	13.25000	13.50000	-3.50000	0.00515	-3.7250	-36.243E-6
-0.11113 2.0348E-6						
1 Displacement Grid 1	14.25000	13.50000	-3.50000	-0.00416	-3.7250	-47.827E-6
-0.12993 2.3785E-6						
1 Displacement Grid 1	15.25000	13.50000	-3.50000	-0.01593	-3.7250	-63.111E-6
-0.15176 2.7777E-6						
1 Displacement Grid 1	16.25000	13.50000	-3.50000	-0.03014	-3.7250	-82.843E-6
-0.17663 3.2322E-6						
1 Displacement Grid 1	17.25000	13.50000	-3.50000	-0.04643	-3.7250	-107.39E-6
-0.20410 3.7340E-6						
1 Displacement Grid 1	18.25000	13.50000	-3.50000	-0.06399	-3.7250	-136.19E-6
-0.23309 4.2633E-6						
1 Displacement Grid 1	19.25000	13.50000	-3.50000	-0.08149	-3.7250	-167.19E-6
-0.26170 4.7854E-6						
1 Displacement Grid 1	20.25000	13.50000	-3.50000	-0.09724	-3.7250	-196.71E-6
-0.28730 5.2526E-6						
1 Displacement Grid 1	21.25000	13.50000	-3.50000	-0.10941	-3.7250	-220.05E-6
-0.30698 5.6116E-6						
1 Displacement Grid 1	22.25000	13.50000	-3.50000	-0.11642	-3.7250	-232.99E-6
-0.31819 5.8163E-6						
1 Displacement Grid 1	23.25000	13.50000	-3.50000	-0.11733	-3.7250	-233.14E-6
-0.31948 5.8399E-6						
1 Displacement Grid 1	24.25000	13.50000	-3.50000	-0.11203	-3.7250	-220.74E-6
-0.31082 5.6821E-6						
1 Displacement Grid 1	25.25000	13.50000	-3.50000	-0.10133	-3.7250	-198.47E-6
-0.29361 5.3682E-6						
1 Displacement Grid 1	26.25000	13.50000	-3.50000	-0.08665	-3.7250	-170.48E-6
-0.27022 4.9414E-6						
1 Displacement Grid 1	27.25000	13.50000	-3.50000	-0.06977	-3.7250	-141.02E-6
-0.24335 4.4510E-6						
1 Displacement Grid 1	28.25000	13.50000	-3.50000	-0.05237	-3.7250	-113.31E-6
-0.21546 3.9417E-6						
1 Displacement Grid 1	29.25000	13.50000	-3.50000	-0.03581	-3.7250	-89.169E-6
-0.18838 3.4470E-6						
1 Displacement Grid 1	30.25000	13.50000	-3.50000	-0.02100	-3.7250	-69.220E-6
-0.16330 2.9887E-6						
1 Displacement Grid 1	31.25000	13.50000	-3.50000	-0.00844	-3.7250	-53.319E-6
-0.14081 2.5776E-6						
1 Displacement Grid 1	32.25000	13.50000	-3.50000	0.00174	-3.7250	-40.941E-6
-0.12110 2.2172E-6						
1 Displacement Grid 1	33.25000	13.50000	-3.50000	0.00965	-3.7250	-31.445E-6
-0.10409 1.9059E-6						
1 Displacement Grid 1	34.25000	13.50000	-3.50000	0.01553	-3.7250	-24.219E-6
-0.089537 1.6397E-6						
1 Displacement Grid 1	35.25000	13.50000	-3.50000	0.01968	-3.7250	-18.737E-6
-0.077171 1.4134E-6						
1 Displacement Grid 1	36.25000	13.50000	-3.50000	0.02243	-3.7250	-14.577E-6
-0.066692 1.2216E-6						
1 Displacement Grid 1	37.25000	13.50000	-3.50000	0.02406	-3.7250	-11.413E-6
-0.057819 1.0592E-6						
1 Displacement Grid 1	38.25000	13.50000	-3.50000	0.02484	-3.7250	-8.9959E-6
-0.050303 921.56E-9						
1 Displacement Grid 1	39.25000	13.50000	-3.50000	0.02497	-3.7250	-7.1397E-6
-0.043925 804.77E-9						
1 Displacement Grid 1	40.25000	13.50000	-3.50000	0.02465	-3.7250	-5.7059E-6
-0.038500 705.42E-9						
1 Displacement Grid 1	41.25000	13.50000	-3.50000	0.02399	-3.7250	-4.5914E-6
-0.033873 620.67E-9						
1 Displacement Grid 1	42.25000	13.50000	-3.50000	0.02312	-3.7250	-3.7194E-6

-0.029913	548.14E-9						
1 Displacement Grid 1	43.25000	13.50000	-3.50000	0.02210	-3.7250	-3.0327E-6	
-0.026513	485.86E-9						
1 Displacement Grid 1	44.25000	13.50000	-3.50000	0.02101	-3.7250	-2.4883E-6	
-0.023584	432.18E-9						
1 Displacement Grid 1	45.25000	13.50000	-3.50000	0.01988	-3.7250	-2.0541E-6	
-0.021050	385.77E-9						
1 Displacement Grid 1	46.25000	13.50000	-3.50000	0.01876	-3.7250	-1.7054E-6	
-0.018851	345.48E-9						
1 Displacement Grid 1	0.25000	14.50000	-3.50000	0.01942	-3.7250	-1.9488E-6	
-0.020360	373.13E-9						
1 Displacement Grid 1	1.25000	14.50000	-3.50000	0.02055	-3.7250	-2.3692E-6	
-0.022853	418.81E-9						
1 Displacement Grid 1	2.25000	14.50000	-3.50000	0.02166	-3.7250	-2.9002E-6	
-0.025752	471.90E-9						
1 Displacement Grid 1	3.25000	14.50000	-3.50000	0.02269	-3.7250	-3.5762E-6	
-0.029137	533.92E-9						
1 Displacement Grid 1	4.25000	14.50000	-3.50000	0.02358	-3.7250	-4.4440E-6	
-0.033110	606.69E-9						
1 Displacement Grid 1	5.25000	14.50000	-3.50000	0.02425	-3.7250	-5.5679E-6	
-0.037795	692.50E-9						
1 Displacement Grid 1	6.25000	14.50000	-3.50000	0.02457	-3.7250	-7.0370E-6	
-0.043348	794.19E-9						
1 Displacement Grid 1	7.25000	14.50000	-3.50000	0.02438	-3.7250	-8.9758E-6	
-0.049962	915.31E-9						
1 Displacement Grid 1	8.25000	14.50000	-3.50000	0.02347	-3.7250	-11.560E-6	
-0.057880	1.0603E-6						
1 Displacement Grid 1	9.25000	14.50000	-3.50000	0.02156	-3.7250	-15.040E-6	
-0.067405	1.2346E-6						
1 Displacement Grid 1	10.25000	14.50000	-3.50000	0.01830	-3.7250	-19.776E-6	
-0.078912	1.4453E-6						
1 Displacement Grid 1	11.25000	14.50000	-3.50000	0.01325	-3.7250	-26.284E-6	
-0.092868	1.7006E-6						
1 Displacement Grid 1	12.25000	14.50000	-3.50000	0.00592	-3.7250	-35.311E-6	
-0.10984	2.0110E-6						
1 Displacement Grid 1	13.25000	14.50000	-3.50000	-0.00426	-3.7250	-47.922E-6	
-0.13048	2.3886E-6						
1 Displacement Grid 1	14.25000	14.50000	-3.50000	-0.01785	-3.7250	-65.605E-6	
-0.15553	2.8466E-6						
1 Displacement Grid 1	15.25000	14.50000	-3.50000	-0.03530	-3.7250	-90.324E-6	
-0.18571	3.3981E-6						
1 Displacement Grid 1	16.25000	14.50000	-3.50000	-0.05677	-3.7250	-124.40E-6	
-0.22152	4.0520E-6						
1 Displacement Grid 1	17.25000	14.50000	-3.50000	-0.08189	-3.7250	-169.90E-6	
-0.26285	4.8063E-6						
1 Displacement Grid 1	18.25000	14.50000	-3.50000	-0.10955	-3.7250	-227.23E-6	
-0.30845	5.6381E-6						
1 Displacement Grid 1	19.25000	14.50000	-3.50000	-0.13769	-3.7250	-292.96E-6	
-0.35534	6.4929E-6						
1 Displacement Grid 1	20.25000	14.50000	-3.50000	-0.16348	-3.7250	-358.49E-6	
-0.39868	7.2827E-6						
1 Displacement Grid 1	21.25000	14.50000	-3.50000	-0.18371	-3.7250	-411.54E-6	
-0.43262	7.9010E-6						
1 Displacement Grid 1	22.25000	14.50000	-3.50000	-0.19552	-3.7250	-440.69E-6	
-0.45191	8.2525E-6						
1 Displacement Grid 1	23.25000	14.50000	-3.50000	-0.19713	-3.7250	-439.72E-6	
-0.45356	8.2828E-6						
1 Displacement Grid 1	24.25000	14.50000	-3.50000	-0.18838	-3.7250	-409.55E-6	
-0.43765	7.9933E-6						
1 Displacement Grid 1	25.25000	14.50000	-3.50000	-0.17068	-3.7250	-357.74E-6	
-0.40724	7.4396E-6						
1 Displacement Grid 1	26.25000	14.50000	-3.50000	-0.14667	-3.7250	-295.61E-6	
-0.36730	6.7119E-6						
1 Displacement Grid 1	27.25000	14.50000	-3.50000	-0.11945	-3.7250	-233.86E-6	
-0.32315	5.9071E-6						
1 Displacement Grid 1	28.25000	14.50000	-3.50000	-0.09191	-3.7250	-179.35E-6	
-0.27917	5.1048E-6						
1 Displacement Grid 1	29.25000	14.50000	-3.50000	-0.06620	-3.7250	-134.84E-6	
-0.23823	4.3576E-6						
1 Displacement Grid 1	30.25000	14.50000	-3.50000	-0.04364	-3.7250	-100.27E-6	
-0.20180	3.6923E-6						

1 Displacement Grid 1	31.25000	14.50000	-3.50000	-0.02483	-3.7250	-74.267E-6
-0.17035 3.1175E-6						
1 Displacement Grid 1	32.25000	14.50000	-3.50000	-0.00980	-3.7250	-55.054E-6
-0.14370 2.6305E-6						
1 Displacement Grid 1	33.25000	14.50000	-3.50000	0.00175	-3.7250	-40.987E-6
-0.12140 2.2226E-6						
1 Displacement Grid 1	34.25000	14.50000	-3.50000	0.01030	-3.7250	-30.715E-6
-0.10284 1.8832E-6						
1 Displacement Grid 1	35.25000	14.50000	-3.50000	0.01638	-3.7250	-23.199E-6
-0.087450 1.6015E-6						
1 Displacement Grid 1	36.25000	14.50000	-3.50000	0.02047	-3.7250	-17.674E-6
-0.074679 1.3678E-6						
1 Displacement Grid 1	37.25000	14.50000	-3.50000	0.02303	-3.7250	-13.586E-6
-0.064067 1.1736E-6						
1 Displacement Grid 1	38.25000	14.50000	-3.50000	0.02443	-3.7250	-10.538E-6
-0.055224 1.0117E-6						
1 Displacement Grid 1	39.25000	14.50000	-3.50000	0.02497	-3.7250	-8.2457E-6
-0.047828 876.24E-9						
1 Displacement Grid 1	40.25000	14.50000	-3.50000	0.02490	-3.7250	-6.5080E-6
-0.041618 762.51E-9						
1 Displacement Grid 1	41.25000	14.50000	-3.50000	0.02440	-3.7250	-5.1793E-6
-0.036380 666.59E-9						
1 Displacement Grid 1	42.25000	14.50000	-3.50000	0.02361	-3.7250	-4.1547E-6
-0.031944 585.33E-9						
1 Displacement Grid 1	43.25000	14.50000	-3.50000	0.02263	-3.7250	-3.3581E-6
-0.028168 516.17E-9						
1 Displacement Grid 1	44.25000	14.50000	-3.50000	0.02154	-3.7250	-2.7340E-6
-0.024941 457.05E-9						
1 Displacement Grid 1	45.25000	14.50000	-3.50000	0.02040	-3.7250	-2.2411E-6
-0.022170 406.29E-9						
1 Displacement Grid 1	46.25000	14.50000	-3.50000	0.01925	-3.7250	-1.8491E-6
-0.019781 362.52E-9						
1 Displacement Grid 1	0.25000	15.50000	-3.50000	0.01987	-3.7250	-2.1011E-6
-0.021297 390.30E-9						
1 Displacement Grid 1	1.25000	15.50000	-3.50000	0.02102	-3.7250	-2.5699E-6
-0.023991 439.65E-9						
1 Displacement Grid 1	2.25000	15.50000	-3.50000	0.02213	-3.7250	-3.1673E-6
-0.027144 497.40E-9						
1 Displacement Grid 1	3.25000	15.50000	-3.50000	0.02313	-3.7250	-3.9356E-6
-0.030851 565.31E-9						
1 Displacement Grid 1	4.25000	15.50000	-3.50000	0.02396	-3.7250	-4.9331E-6
-0.035237 645.65E-9						
1 Displacement Grid 1	5.25000	15.50000	-3.50000	0.02450	-3.7250	-6.2418E-6
-0.040456 741.24E-9						
1 Displacement Grid 1	6.25000	15.50000	-3.50000	0.02459	-3.7250	-7.9776E-6
-0.046706 855.68E-9						
1 Displacement Grid 1	7.25000	15.50000	-3.50000	0.02403	-3.7250	-10.307E-6
-0.054237 993.59E-9						
1 Displacement Grid 1	8.25000	15.50000	-3.50000	0.02255	-3.7250	-13.474E-6
-0.063375 1.1609E-6						
1 Displacement Grid 1	9.25000	15.50000	-3.50000	0.01975	-3.7250	-17.837E-6
-0.074539 1.3652E-6						
1 Displacement Grid 1	10.25000	15.50000	-3.50000	0.01517	-3.7250	-23.934E-6
-0.088273 1.6166E-6						
1 Displacement Grid 1	11.25000	15.50000	-3.50000	0.00817	-3.7250	-32.583E-6
-0.10528 1.9278E-6						
1 Displacement Grid 1	12.25000	15.50000	-3.50000	-0.00201	-3.7250	-45.044E-6
-0.12649 2.3156E-6						
1 Displacement Grid 1	13.25000	15.50000	-3.50000	-0.01626	-3.7250	-63.273E-6
-0.15306 2.8014E-6						
1 Displacement Grid 1	14.25000	15.50000	-3.50000	-0.03556	-3.7250	-90.301E-6
-0.18647 3.4119E-6						
1 Displacement Grid 1	15.25000	15.50000	-3.50000	-0.06081	-3.7250	-130.74E-6
-0.22843 4.1783E-6						
1 Displacement Grid 1	16.25000	15.50000	-3.50000	-0.09259	-3.7250	-191.20E-6
-0.28074 5.1328E-6						
1 Displacement Grid 1	17.25000	15.50000	-3.50000	-0.13076	-3.7250	-279.85E-6
-0.34462 6.2973E-6						
1 Displacement Grid 1	18.25000	15.50000	-3.50000	-0.17391	-3.7250	-403.14E-6
-0.41946 7.6602E-6						
1 Displacement Grid 1	19.25000	15.50000	-3.50000	-0.21899	-3.7250	-557.88E-6

-0.50090	9.1419E-6						
1 Displacement Grid 1	20.25000	15.50000	-3.50000	-0.26128	-3.7250	-722.24E-6	
-0.57956	10.572E-6						
1 Displacement Grid 1	21.25000	15.50000	-3.50000	-0.29511	-3.7250	-858.75E-6	
-0.64258	11.717E-6						
1 Displacement Grid 1	22.25000	15.50000	-3.50000	-0.31520	-3.7250	-932.49E-6	
-0.67819	12.365E-6						
1 Displacement Grid 1	23.25000	15.50000	-3.50000	-0.31818	-3.7250	-926.02E-6	
-0.67986	12.396E-6						
1 Displacement Grid 1	24.25000	15.50000	-3.50000	-0.30363	-3.7250	-842.69E-6	
-0.64811	11.820E-6						
1 Displacement Grid 1	25.25000	15.50000	-3.50000	-0.27419	-3.7250	-706.03E-6	
-0.59012	10.767E-6						
1 Displacement Grid 1	26.25000	15.50000	-3.50000	-0.23473	-3.7250	-551.66E-6	
-0.51728	9.4427E-6						
1 Displacement Grid 1	27.25000	15.50000	-3.50000	-0.19086	-3.7250	-409.95E-6	
-0.44085	8.0519E-6						
1 Displacement Grid 1	28.25000	15.50000	-3.50000	-0.14748	-3.7250	-295.36E-6	
-0.36878	6.7391E-6						
1 Displacement Grid 1	29.25000	15.50000	-3.50000	-0.10798	-3.7250	-209.41E-6	
-0.30519	5.5796E-6						
1 Displacement Grid 1	30.25000	15.50000	-3.50000	-0.07414	-3.7250	-147.69E-6	
-0.25136	4.5973E-6						
1 Displacement Grid 1	31.25000	15.50000	-3.50000	-0.04653	-3.7250	-104.38E-6	
-0.20692	3.7859E-6						
1 Displacement Grid 1	32.25000	15.50000	-3.50000	-0.02487	-3.7250	-74.289E-6	
-0.17075	3.1250E-6						
1 Displacement Grid 1	33.25000	15.50000	-3.50000	-0.00846	-3.7250	-53.406E-6	
-0.14151	2.5903E-6						
1 Displacement Grid 1	34.25000	15.50000	-3.50000	0.00357	-3.7250	-38.839E-6	
-0.11790	2.1586E-6						
1 Displacement Grid 1	35.25000	15.50000	-3.50000	0.01208	-3.7250	-28.592E-6	
-0.098815	1.8095E-6						
1 Displacement Grid 1	36.25000	15.50000	-3.50000	0.01786	-3.7250	-21.308E-6	
-0.083336	1.5262E-6						
1 Displacement Grid 1	37.25000	15.50000	-3.50000	0.02156	-3.7250	-16.071E-6	
-0.070721	1.2954E-6						
1 Displacement Grid 1	38.25000	15.50000	-3.50000	0.02373	-3.7250	-12.262E-6	
-0.060385	1.1061E-6						
1 Displacement Grid 1	39.25000	15.50000	-3.50000	0.02477	-3.7250	-9.4585E-6	
-0.051867	950.19E-9						
1 Displacement Grid 1	40.25000	15.50000	-3.50000	0.02502	-3.7250	-7.3727E-6	
-0.044806	820.89E-9						
1 Displacement Grid 1	41.25000	15.50000	-3.50000	0.02471	-3.7250	-5.8035E-6	
-0.038917	713.06E-9						
1 Displacement Grid 1	42.25000	15.50000	-3.50000	0.02402	-3.7250	-4.6107E-6	
-0.033979	622.61E-9						
1 Displacement Grid 1	43.25000	15.50000	-3.50000	0.02309	-3.7250	-3.6951E-6	
-0.029813	546.30E-9						
1 Displacement Grid 1	44.25000	15.50000	-3.50000	0.02202	-3.7250	-2.9856E-6	
-0.026280	481.58E-9						
1 Displacement Grid 1	45.25000	15.50000	-3.50000	0.02088	-3.7250	-2.4310E-6	
-0.023268	426.40E-9						
1 Displacement Grid 1	46.25000	15.50000	-3.50000	0.01971	-3.7250	-1.9937E-6	
-0.020687	379.11E-9						
1 Displacement Grid 1	0.25000	16.50000	-3.50000	0.02028	-3.7250	-2.2506E-6	
-0.022192	406.69E-9						
1 Displacement Grid 1	1.25000	16.50000	-3.50000	0.02144	-3.7250	-2.7684E-6	
-0.025084	459.67E-9						
1 Displacement Grid 1	2.25000	16.50000	-3.50000	0.02254	-3.7250	-3.4339E-6	
-0.028488	522.03E-9						
1 Displacement Grid 1	3.25000	16.50000	-3.50000	0.02351	-3.7250	-4.2979E-6	
-0.032519	595.86E-9						
1 Displacement Grid 1	4.25000	16.50000	-3.50000	0.02425	-3.7250	-5.4317E-6	
-0.037323	683.85E-9						
1 Displacement Grid 1	5.25000	16.50000	-3.50000	0.02464	-3.7250	-6.9374E-6	
-0.043089	789.46E-9						
1 Displacement Grid 1	6.25000	16.50000	-3.50000	0.02448	-3.7250	-8.9628E-6	
-0.050062	917.14E-9						
1 Displacement Grid 1	7.25000	16.50000	-3.50000	0.02350	-3.7250	-11.725E-6	
-0.058560	1.0727E-6						

1 Displacement Grid 1	8.25000	16.50000	-3.50000	0.02135	-3.7250	-15.552E-6
-0.069007 1.2640E-6						
1 Displacement Grid 1	9.25000	16.50000	-3.50000	0.01753	-3.7250	-20.941E-6
-0.081965 1.5011E-6						
1 Displacement Grid 1	10.25000	16.50000	-3.50000	0.01140	-3.7250	-28.673E-6
-0.098193 1.7981E-6						
1 Displacement Grid 1	11.25000	16.50000	-3.50000	0.00206	-3.7250	-39.996E-6
-0.11873 2.1737E-6						
1 Displacement Grid 1	12.25000	16.50000	-3.50000	-0.01157	-3.7250	-56.952E-6
-0.14498 2.6538E-6						
1 Displacement Grid 1	13.25000	16.50000	-3.50000	-0.03090	-3.7250	-82.976E-6
-0.17892 3.2740E-6						
1 Displacement Grid 1	14.25000	16.50000	-3.50000	-0.05751	-3.7250	-123.98E-6
-0.22324 4.0835E-6						
1 Displacement Grid 1	15.25000	16.50000	-3.50000	-0.09312	-3.7250	-190.27E-6
-0.28162 5.1490E-6						
1 Displacement Grid 1	16.25000	16.50000	-3.50000	-0.13916	-3.7250	-299.75E-6
-0.35883 6.5564E-6						
1 Displacement Grid 1	17.25000	16.50000	-3.50000	-0.19618	-3.7250	-481.52E-6
-0.46020 8.4014E-6						
1 Displacement Grid 1	18.25000	16.50000	-3.50000	-0.26285	-3.7250	-773.58E-6
-0.58931 10.747E-6						
1 Displacement Grid 1	19.25000	16.50000	-3.50000	-0.33488	-3.7250	-0.0011955
-0.74209 13.517E-6						
1 Displacement Grid 1	20.25000	16.50000	-3.50000	-0.40458	-3.7250	-0.0016883
-0.89930 16.362E-6						
1 Displacement Grid 1	21.25000	16.50000	-3.50000	-0.46184	-3.7250	-0.0021065
-1.0286 18.702E-6						
1 Displacement Grid 1	22.25000	16.50000	-3.50000	-0.49669	-3.7250	-0.0023230
-1.1005 20.004E-6						
1 Displacement Grid 1	23.25000	16.50000	-3.50000	-0.50250	-3.7250	-0.0022903
-1.1003 20.004E-6						
1 Displacement Grid 1	24.25000	16.50000	-3.50000	-0.47817	-3.7250	-0.0020182
-1.0299 18.732E-6						
1 Displacement Grid 1	25.25000	16.50000	-3.50000	-0.42856	-3.7250	-0.0015865
-0.90731 16.517E-6						
1 Displacement Grid 1	26.25000	16.50000	-3.50000	-0.36301	-3.7250	-0.0011359
-0.76222 13.890E-6						
1 Displacement Grid 1	27.25000	16.50000	-3.50000	-0.29203	-3.7250	-769.64E-6
-0.62093 11.327E-6						
1 Displacement Grid 1	28.25000	16.50000	-3.50000	-0.22400	-3.7250	-508.84E-6
-0.49748 9.0828E-6						
1 Displacement Grid 1	29.25000	16.50000	-3.50000	-0.16394	-3.7250	-334.30E-6
-0.39592 7.2338E-6						
1 Displacement Grid 1	30.25000	16.50000	-3.50000	-0.11399	-3.7250	-220.73E-6
-0.31511 5.7606E-6						
1 Displacement Grid 1	31.25000	16.50000	-3.50000	-0.07426	-3.7250	-147.54E-6
-0.25189 4.6070E-6						
1 Displacement Grid 1	32.25000	16.50000	-3.50000	-0.04379	-3.7250	-100.23E-6
-0.20274 3.7094E-6						
1 Displacement Grid 1	33.25000	16.50000	-3.50000	-0.02111	-3.7250	-69.318E-6
-0.16451 3.0108E-6						
1 Displacement Grid 1	34.25000	16.50000	-3.50000	-0.00471	-3.7250	-48.810E-6
-0.13464 2.4648E-6						
1 Displacement Grid 1	35.25000	16.50000	-3.50000	0.00680	-3.7250	-34.975E-6
-0.11115 2.0352E-6						
1 Displacement Grid 1	36.25000	16.50000	-3.50000	0.01462	-3.7250	-25.479E-6
-0.092542 1.6947E-6						
1 Displacement Grid 1	37.25000	16.50000	-3.50000	0.01969	-3.7250	-18.849E-6
-0.077672 1.4226E-6						
1 Displacement Grid 1	38.25000	16.50000	-3.50000	0.02275	-3.7250	-14.146E-6
-0.065694 1.2033E-6						
1 Displacement Grid 1	39.25000	16.50000	-3.50000	0.02438	-3.7250	-10.759E-6
-0.055966 1.0252E-6						
1 Displacement Grid 1	40.25000	16.50000	-3.50000	0.02499	-3.7250	-8.2842E-6
-0.048003 879.45E-9						
1 Displacement Grid 1	41.25000	16.50000	-3.50000	0.02491	-3.7250	-6.4519E-6
-0.041436 759.19E-9						
1 Displacement Grid 1	42.25000	16.50000	-3.50000	0.02435	-3.7250	-5.0783E-6
-0.035981 659.28E-9						
1 Displacement Grid 1	43.25000	16.50000	-3.50000	0.02349	-3.7250	-4.0367E-6

-0.031419	575.71E-9						
1 Displacement Grid 1		44.25000	16.50000	-3.50000	0.02245	-3.7250	-3.2381E-6
-0.027578	505.36E-9						
1 Displacement Grid 1		45.25000	16.50000	-3.50000	0.02131	-3.7250	-2.6197E-6
-0.024325	445.77E-9						
1 Displacement Grid 1		46.25000	16.50000	-3.50000	0.02012	-3.7250	-2.1363E-6
-0.021554	395.00E-9						
1 Displacement Grid 1		0.25000	17.50000	-3.50000	0.02065	-3.7250	-2.3937E-6
-0.023027	421.99E-9						
1 Displacement Grid 1		1.25000	17.50000	-3.50000	0.02181	-3.7250	-2.9599E-6
-0.026110	478.46E-9						
1 Displacement Grid 1		2.25000	17.50000	-3.50000	0.02289	-3.7250	-3.6932E-6
-0.029757	545.28E-9						
1 Displacement Grid 1		3.25000	17.50000	-3.50000	0.02382	-3.7250	-4.6534E-6
-0.034103	624.89E-9						
1 Displacement Grid 1		4.25000	17.50000	-3.50000	0.02447	-3.7250	-5.9260E-6
-0.039320	720.43E-9						
1 Displacement Grid 1		5.25000	17.50000	-3.50000	0.02469	-3.7250	-7.6352E-6
-0.045631	836.01E-9						
1 Displacement Grid 1		6.25000	17.50000	-3.50000	0.02425	-3.7250	-9.9644E-6
-0.053333	977.04E-9						
1 Displacement Grid 1		7.25000	17.50000	-3.50000	0.02281	-3.7250	-13.190E-6
-0.062821	1.1507E-6						
1 Displacement Grid 1		8.25000	17.50000	-3.50000	0.01993	-3.7250	-17.736E-6
-0.074628	1.3669E-6						
1 Displacement Grid 1		9.25000	17.50000	-3.50000	0.01499	-3.7250	-24.275E-6
-0.089487	1.6388E-6						
1 Displacement Grid 1		10.25000	17.50000	-3.50000	0.00710	-3.7250	-33.893E-6
-0.10842	1.9852E-6						
1 Displacement Grid 1		11.25000	17.50000	-3.50000	-0.00489	-3.7250	-48.410E-6
-0.13287	2.4324E-6						
1 Displacement Grid 1		12.25000	17.50000	-3.50000	-0.02255	-3.7250	-70.985E-6
-0.16493	3.0185E-6						
1 Displacement Grid 1		13.25000	17.50000	-3.50000	-0.04790	-3.7250	-107.33E-6
-0.20768	3.7996E-6						
1 Displacement Grid 1		14.25000	17.50000	-3.50000	-0.08349	-3.7250	-168.28E-6
-0.26577	4.8600E-6						
1 Displacement Grid 1		15.25000	17.50000	-3.50000	-0.13226	-3.7250	-275.48E-6
-0.34632	6.3288E-6						
1 Displacement Grid 1		16.25000	17.50000	-3.50000	-0.19725	-3.7250	-474.35E-6
-0.46037	8.4050E-6						
1 Displacement Grid 1		17.25000	17.50000	-3.50000	-0.28072	-3.7250	-862.88E-6
-0.62454	11.386E-6						
1 Displacement Grid 1		18.25000	17.50000	-3.50000	-0.38257	-3.7250	-0.0016398
-0.86038	15.653E-6						
1 Displacement Grid 1		19.25000	17.50000	-3.50000	-0.49784	-3.7250	-0.0030766
-1.1803	21.412E-6						
1 Displacement Grid 1		20.25000	17.50000	-3.50000	-0.61447	-3.7250	-0.0050659
-1.5457	27.964E-6						
1 Displacement Grid 1		21.25000	17.50000	-3.50000	-0.71407	-3.7250	-0.0067423
-1.8525	33.464E-6						
1 Displacement Grid 1		22.25000	17.50000	-3.50000	-0.77669	-3.7250	-0.0075095
-2.0147	36.382E-6						
1 Displacement Grid 1		23.25000	17.50000	-3.50000	-0.78870	-3.7250	-0.0073460
-2.0049	36.213E-6						
1 Displacement Grid 1		24.25000	17.50000	-3.50000	-0.74726	-3.7250	-0.0062226
-1.8251	33.001E-6						
1 Displacement Grid 1		25.25000	17.50000	-3.50000	-0.66096	-3.7250	-0.0043860
-1.5219	27.578E-6						
1 Displacement Grid 1		26.25000	17.50000	-3.50000	-0.54916	-3.7250	-0.0026857
-1.1926	21.666E-6						
1 Displacement Grid 1		27.25000	17.50000	-3.50000	-0.43313	-3.7250	-0.0015735
-0.90841	16.538E-6						
1 Displacement Grid 1		28.25000	17.50000	-3.50000	-0.32678	-3.7250	-922.37E-6
-0.68613	12.511E-6						
1 Displacement Grid 1		29.25000	17.50000	-3.50000	-0.23662	-3.7250	-548.27E-6
-0.51934	9.4808E-6						
1 Displacement Grid 1		30.25000	17.50000	-3.50000	-0.16421	-3.7250	-333.49E-6
-0.39649	7.2443E-6						
1 Displacement Grid 1		31.25000	17.50000	-3.50000	-0.10835	-3.7250	-208.69E-6
-0.30634	5.6008E-6						

1 Displacement Grid 1	32.25000	17.50000	-3.50000	-0.06656	-3.7250	-134.52E-6
-0.23982 4.3868E-6						
1 Displacement Grid 1	33.25000	17.50000	-3.50000	-0.03610	-3.7250	-89.201E-6
-0.19024 3.4812E-6						
1 Displacement Grid 1	34.25000	17.50000	-3.50000	-0.01442	-3.7250	-60.718E-6
-0.15283 2.7973E-6						
1 Displacement Grid 1	35.25000	17.50000	-3.50000	0.00065	-3.7250	-42.319E-6
-0.12423 2.2744E-6						
1 Displacement Grid 1	36.25000	17.50000	-3.50000	0.01083	-3.7250	-30.131E-6
-0.10210 1.8695E-6						
1 Displacement Grid 1	37.25000	17.50000	-3.50000	0.01746	-3.7250	-21.869E-6
-0.084759 1.5523E-6						
1 Displacement Grid 1	38.25000	17.50000	-3.50000	0.02154	-3.7250	-16.150E-6
-0.071025 1.3009E-6						
1 Displacement Grid 1	39.25000	17.50000	-3.50000	0.02382	-3.7250	-12.116E-6
-0.060029 1.0996E-6						
1 Displacement Grid 1	40.25000	17.50000	-3.50000	0.02484	-3.7250	-9.2196E-6
-0.051137 936.83E-9						
1 Displacement Grid 1	41.25000	17.50000	-3.50000	0.02501	-3.7250	-7.1079E-6
-0.043880 803.94E-9						
1 Displacement Grid 1	42.25000	17.50000	-3.50000	0.02460	-3.7250	-5.5456E-6
-0.037907 694.55E-9						
1 Displacement Grid 1	43.25000	17.50000	-3.50000	0.02382	-3.7250	-4.3742E-6
-0.032951 603.78E-9						
1 Displacement Grid 1	44.25000	17.50000	-3.50000	0.02282	-3.7250	-3.4853E-6
-0.028808 527.89E-9						
1 Displacement Grid 1	45.25000	17.50000	-3.50000	0.02168	-3.7250	-2.8029E-6
-0.025321 464.01E-9						
1 Displacement Grid 1	46.25000	17.50000	-3.50000	0.02049	-3.7250	-2.2736E-6
-0.022367 409.89E-9						
1 Displacement Grid 1	0.25000	18.50000	-3.50000	0.02096	-3.7250	-2.5267E-6
-0.023787 435.90E-9						
1 Displacement Grid 1	1.25000	18.50000	-3.50000	0.02213	-3.7250	-3.1390E-6
-0.027046 495.61E-9						
1 Displacement Grid 1	2.25000	18.50000	-3.50000	0.02319	-3.7250	-3.9374E-6
-0.030922 566.62E-9						
1 Displacement Grid 1	3.25000	18.50000	-3.50000	0.02407	-3.7250	-4.9909E-6
-0.035566 651.68E-9						
1 Displacement Grid 1	4.25000	18.50000	-3.50000	0.02462	-3.7250	-6.3998E-6
-0.041176 754.42E-9						
1 Displacement Grid 1	5.25000	18.50000	-3.50000	0.02467	-3.7250	-8.3112E-6
-0.048012 879.60E-9						
1 Displacement Grid 1	6.25000	18.50000	-3.50000	0.02393	-3.7250	-10.946E-6
-0.056423 1.0336E-6						
1 Displacement Grid 1	7.25000	18.50000	-3.50000	0.02202	-3.7250	-14.646E-6
-0.066886 1.2252E-6						
1 Displacement Grid 1	8.25000	18.50000	-3.50000	0.01838	-3.7250	-19.944E-6
-0.080054 1.4662E-6						
1 Displacement Grid 1	9.25000	18.50000	-3.50000	0.01224	-3.7250	-27.708E-6
-0.096848 1.7735E-6						
1 Displacement Grid 1	10.25000	18.50000	-3.50000	0.00250	-3.7250	-39.392E-6
-0.11859 2.1712E-6						
1 Displacement Grid 1	11.25000	18.50000	-3.50000	-0.01237	-3.7250	-57.522E-6
-0.14721 2.6946E-6						
1 Displacement Grid 1	12.25000	18.50000	-3.50000	-0.03446	-3.7250	-86.707E-6
-0.18564 3.3969E-6						
1 Displacement Grid 1	13.25000	18.50000	-3.50000	-0.06661	-3.7250	-135.83E-6
-0.23842 4.3609E-6						
1 Displacement Grid 1	14.25000	18.50000	-3.50000	-0.11259	-3.7250	-223.24E-6
-0.31293 5.7206E-6						
1 Displacement Grid 1	15.25000	18.50000	-3.50000	-0.17715	-3.7250	-390.29E-6
-0.42173 7.7029E-6						
1 Displacement Grid 1	16.25000	18.50000	-3.50000	-0.26594	-3.7250	-740.88E-6
-0.58744 10.715E-6						
1 Displacement Grid 1	17.25000	18.50000	-3.50000	-0.38491	-3.7250	-0.0015740
-0.85356 15.532E-6						
1 Displacement Grid 1	18.25000	18.50000	-3.50000	-0.53878	-3.7250	-0.0038799
-1.3075 23.683E-6						
1 Displacement Grid 1	19.25000	18.50000	-3.50000	-0.72763	-3.7250	-0.010878
-2.1006 37.706E-6						
1 Displacement Grid 1	20.25000	18.50000	-3.50000	-0.93527	-3.7250	-0.025583



-3.2373	57.460E-6						
1 Displacement	Grid 1	21.25000	18.50000	-3.50000	-1.12291	-3.7250	-0.036576
-4.1666	73.684E-6						
1 Displacement	Grid 1	22.25000	18.50000	-3.50000	-1.24322	-3.7250	-0.039926
-4.5802	81.020E-6						
1 Displacement	Grid 1	23.25000	18.50000	-3.50000	-1.26938	-3.7250	-0.039095
-4.5318	80.193E-6						
1 Displacement	Grid 1	24.25000	18.50000	-3.50000	-1.19443	-3.7250	-0.032420
-3.9755	70.489E-6						
1 Displacement	Grid 1	25.25000	18.50000	-3.50000	-1.02728	-3.7250	-0.018035
-2.9626	52.982E-6						
1 Displacement	Grid 1	26.25000	18.50000	-3.50000	-0.82073	-3.7250	-0.0077347
-2.0263	36.577E-6						
1 Displacement	Grid 1	27.25000	18.50000	-3.50000	-0.62637	-3.7250	-0.0035803
-1.3905	25.227E-6						
1 Displacement	Grid 1	28.25000	18.50000	-3.50000	-0.46057	-3.7250	-0.0017726
-0.96772	17.611E-6						
1 Displacement	Grid 1	29.25000	18.50000	-3.50000	-0.32733	-3.7250	-921.06E-6
-0.68650	12.518E-6						
1 Displacement	Grid 1	30.25000	18.50000	-3.50000	-0.22479	-3.7250	-505.49E-6
-0.49847	9.1012E-6						
1 Displacement	Grid 1	31.25000	18.50000	-3.50000	-0.14834	-3.7250	-292.97E-6
-0.37057	6.7721E-6						
1 Displacement	Grid 1	32.25000	18.50000	-3.50000	-0.09270	-3.7250	-178.28E-6
-0.28156	5.1487E-6						
1 Displacement	Grid 1	33.25000	18.50000	-3.50000	-0.05301	-3.7250	-113.14E-6
-0.21814	3.9909E-6						
1 Displacement	Grid 1	34.25000	18.50000	-3.50000	-0.02522	-3.7250	-74.405E-6
-0.17196	3.1470E-6						
1 Displacement	Grid 1	35.25000	18.50000	-3.50000	-0.00615	-3.7250	-50.455E-6
-0.13765	2.5198E-6						
1 Displacement	Grid 1	36.25000	18.50000	-3.50000	0.00665	-3.7250	-35.132E-6
-0.11170	2.0453E-6						
1 Displacement	Grid 1	37.25000	18.50000	-3.50000	0.01498	-3.7250	-25.034E-6
-0.091764	1.6805E-6						
1 Displacement	Grid 1	38.25000	18.50000	-3.50000	0.02015	-3.7250	-18.207E-6
-0.076218	1.3960E-6						
1 Displacement	Grid 1	39.25000	18.50000	-3.50000	0.02313	-3.7250	-13.483E-6
-0.063937	1.1712E-6						
1 Displacement	Grid 1	40.25000	18.50000	-3.50000	0.02459	-3.7250	-10.148E-6
-0.054118	991.42E-9						
1 Displacement	Grid 1	41.25000	18.50000	-3.50000	0.02503	-3.7250	-7.7504E-6
-0.046184	846.13E-9						
1 Displacement	Grid 1	42.25000	18.50000	-3.50000	0.02478	-3.7250	-5.9979E-6
-0.039708	727.53E-9						
1 Displacement	Grid 1	43.25000	18.50000	-3.50000	0.02409	-3.7250	-4.6977E-6
-0.034374	629.84E-9						
1 Displacement	Grid 1	44.25000	18.50000	-3.50000	0.02312	-3.7250	-3.7200E-6
-0.029943	548.68E-9						
1 Displacement	Grid 1	45.25000	18.50000	-3.50000	0.02200	-3.7250	-2.9755E-6
-0.026235	480.75E-9						
1 Displacement	Grid 1	46.25000	18.50000	-3.50000	0.02081	-3.7250	-2.4021E-6
-0.023109	423.48E-9						
1 Displacement	Grid 1	0.25000	19.50000	-3.50000	0.02123	-3.7250	-2.6455E-6
-0.024453	448.10E-9						
1 Displacement	Grid 1	1.25000	19.50000	-3.50000	0.02239	-3.7250	-3.2999E-6
-0.027871	510.72E-9						
1 Displacement	Grid 1	2.25000	19.50000	-3.50000	0.02343	-3.7250	-4.1582E-6
-0.031953	585.50E-9						
1 Displacement	Grid 1	3.25000	19.50000	-3.50000	0.02426	-3.7250	-5.2985E-6
-0.036868	675.51E-9						
1 Displacement	Grid 1	4.25000	19.50000	-3.50000	0.02472	-3.7250	-6.8349E-6
-0.042836	784.83E-9						
1 Displacement	Grid 1	5.25000	19.50000	-3.50000	0.02459	-3.7250	-8.9377E-6
-0.050156	918.86E-9						
1 Displacement	Grid 1	6.25000	19.50000	-3.50000	0.02356	-3.7250	-11.866E-6
-0.059229	1.0850E-6						
1 Displacement	Grid 1	7.25000	19.50000	-3.50000	0.02118	-3.7250	-16.026E-6
-0.070609	1.2933E-6						
1 Displacement	Grid 1	8.25000	19.50000	-3.50000	0.01680	-3.7250	-22.067E-6
-0.085075	1.5581E-6						

1 Displacement Grid 1	9.25000	19.50000	-3.50000	0.00947	-3.7250	-31.065E-6
-0.10374 1.8997E-6						
1 Displacement Grid 1	10.25000	19.50000	-3.50000	-0.00214	-3.7250	-44.873E-6
-0.12825 2.3479E-6						
1 Displacement Grid 1	11.25000	19.50000	-3.50000	-0.01993	-3.7250	-66.815E-6
-0.16106 2.9479E-6						
1 Displacement Grid 1	12.25000	19.50000	-3.50000	-0.04660	-3.7250	-103.20E-6
-0.20605 3.7699E-6						
1 Displacement Grid 1	13.25000	19.50000	-3.50000	-0.08590	-3.7250	-166.79E-6
-0.26948 4.9281E-6						
1 Displacement Grid 1	14.25000	19.50000	-3.50000	-0.14307	-3.7250	-285.79E-6
-0.36214 6.6181E-6						
1 Displacement Grid 1	15.25000	19.50000	-3.50000	-0.22518	-3.7250	-529.93E-6
-0.50384 9.1980E-6						
1 Displacement Grid 1	16.25000	19.50000	-3.50000	-0.34164	-3.7250	-0.0011014
-0.73475 13.389E-6						
1 Displacement Grid 1	17.25000	19.50000	-3.50000	-0.50489	-3.7250	-0.0027419
-1.1484 20.852E-6						
1 Displacement Grid 1	18.25000	19.50000	-3.50000	-0.73380	-3.7250	-0.0094506
-2.0167 36.274E-6						
1 Displacement Grid 1	19.25000	19.50000	-3.50000	-1.07334	-3.7250	-0.065444
-4.4815 77.325E-6						
1 Displacement Grid 1	20.25000	19.50000	-3.50000	-1.56536	-3.7250	-0.71360
-12.714 180.36E-6						
1 Displacement Grid 1	21.25000	19.50000	-3.50000	-2.02883	-3.7250	-0.95215
-17.494 250.37E-6						
1 Displacement Grid 1	22.25000	19.50000	-3.50000	-2.26469	-3.7250	-0.96795
-18.599 269.45E-6						
1 Displacement Grid 1	23.25000	19.50000	-3.50000	-2.34161	-3.7250	-0.96450
-18.448 266.94E-6						
1 Displacement Grid 1	24.25000	19.50000	-3.50000	-2.19211	-3.7250	-0.89518
-16.246 231.71E-6						
1 Displacement Grid 1	25.25000	19.50000	-3.50000	-1.70484	-3.7250	-0.20661
-8.0698 132.68E-6						
1 Displacement Grid 1	26.25000	19.50000	-3.50000	-1.22583	-3.7250	-0.028465
-3.8450 68.388E-6						
1 Displacement Grid 1	27.25000	19.50000	-3.50000	-0.88638	-3.7250	-0.0096063
-2.2563 40.656E-6						
1 Displacement Grid 1	28.25000	19.50000	-3.50000	-0.62767	-3.7250	-0.0036663
-1.3942 25.290E-6						
1 Displacement Grid 1	29.25000	19.50000	-3.50000	-0.43472	-3.7250	-0.0015693
-0.90807 16.532E-6						
1 Displacement Grid 1	30.25000	19.50000	-3.50000	-0.29381	-3.7250	-757.80E-6
-0.62154 11.339E-6						
1 Displacement Grid 1	31.25000	19.50000	-3.50000	-0.19260	-3.7250	-403.25E-6
-0.44313 8.0942E-6						
1 Displacement Grid 1	32.25000	19.50000	-3.50000	-0.12099	-3.7250	-231.18E-6
-0.32647 5.9683E-6						
1 Displacement Grid 1	33.25000	19.50000	-3.50000	-0.07100	-3.7250	-140.44E-6
-0.24708 4.5194E-6						
1 Displacement Grid 1	34.25000	19.50000	-3.50000	-0.03658	-3.7250	-89.347E-6
-0.19123 3.4993E-6						
1 Displacement Grid 1	35.25000	19.50000	-3.50000	-0.01323	-3.7250	-59.032E-6
-0.15085 2.7613E-6						
1 Displacement Grid 1	36.25000	19.50000	-3.50000	0.00231	-3.7250	-40.257E-6
-0.12098 2.2149E-6						
1 Displacement Grid 1	37.25000	19.50000	-3.50000	0.01239	-3.7250	-28.204E-6
-0.098417 1.8022E-6						
1 Displacement Grid 1	38.25000	19.50000	-3.50000	0.01868	-3.7250	-20.226E-6
-0.081083 1.4850E-6						
1 Displacement Grid 1	39.25000	19.50000	-3.50000	0.02237	-3.7250	-14.804E-6
-0.067555 1.2374E-6						
1 Displacement Grid 1	40.25000	19.50000	-3.50000	0.02427	-3.7250	-11.032E-6
-0.056852 1.0415E-6						
1 Displacement Grid 1	41.25000	19.50000	-3.50000	0.02498	-3.7250	-8.3548E-6
-0.048278 884.48E-9						
1 Displacement Grid 1	42.25000	19.50000	-3.50000	0.02489	-3.7250	-6.4189E-6
-0.041332 757.29E-9						
1 Displacement Grid 1	43.25000	19.50000	-3.50000	0.02429	-3.7250	-4.9961E-6
-0.035649 653.19E-9						
1 Displacement Grid 1	44.25000	19.50000	-3.50000	0.02337	-3.7250	-3.9347E-6

-0.030955	567.21E-9						
1 Displacement	Grid 1	45.25000	19.50000	-3.50000	0.02227	-3.7250	-3.1322E-6
-0.027045	495.59E-9						
1 Displacement	Grid 1	46.25000	19.50000	-3.50000	0.02107	-3.7250	-2.5180E-6
-0.023763	435.48E-9						
1 Displacement	Grid 1	0.25000	20.50000	-3.50000	0.02144	-3.7250	-2.7465E-6
-0.025010	458.31E-9						
1 Displacement	Grid 1	1.25000	20.50000	-3.50000	0.02260	-3.7250	-3.4372E-6
-0.028563	523.40E-9						
1 Displacement	Grid 1	2.25000	20.50000	-3.50000	0.02362	-3.7250	-4.3476E-6
-0.032821	601.41E-9						
1 Displacement	Grid 1	3.25000	20.50000	-3.50000	0.02440	-3.7250	-5.5638E-6
-0.037968	695.68E-9						
1 Displacement	Grid 1	4.25000	20.50000	-3.50000	0.02477	-3.7250	-7.2128E-6
-0.044248	810.68E-9						
1 Displacement	Grid 1	5.25000	20.50000	-3.50000	0.02449	-3.7250	-9.4862E-6
-0.051989	952.44E-9						
1 Displacement	Grid 1	6.25000	20.50000	-3.50000	0.02320	-3.7250	-12.679E-6
-0.061643	1.1292E-6						
1 Displacement	Grid 1	7.25000	20.50000	-3.50000	0.02039	-3.7250	-17.258E-6
-0.073837	1.3524E-6						
1 Displacement	Grid 1	8.25000	20.50000	-3.50000	0.01531	-3.7250	-23.982E-6
-0.089467	1.6385E-6						
1 Displacement	Grid 1	9.25000	20.50000	-3.50000	0.00688	-3.7250	-34.134E-6
-0.10983	2.0111E-6						
1 Displacement	Grid 1	10.25000	20.50000	-3.50000	-0.00647	-3.7250	-49.961E-6
-0.13688	2.5059E-6						
1 Displacement	Grid 1	11.25000	20.50000	-3.50000	-0.02702	-3.7250	-75.595E-6
-0.17362	3.1774E-6						
1 Displacement	Grid 1	12.25000	20.50000	-3.50000	-0.05805	-3.7250	-119.10E-6
-0.22485	4.1134E-6						
1 Displacement	Grid 1	13.25000	20.50000	-3.50000	-0.10428	-3.7250	-197.36E-6
-0.29865	5.4606E-6						
1 Displacement	Grid 1	14.25000	20.50000	-3.50000	-0.17248	-3.7250	-349.31E-6
-0.40941	7.4800E-6						
1 Displacement	Grid 1	15.25000	20.50000	-3.50000	-0.27227	-3.7250	-676.88E-6
-0.58498	10.675E-6						
1 Displacement	Grid 1	16.25000	20.50000	-3.50000	-0.41751	-3.7250	-0.0015006
-0.88580	16.129E-6						
1 Displacement	Grid 1	17.25000	20.50000	-3.50000	-0.62941	-3.7250	-0.0041591
-1.4686	26.617E-6						
1 Displacement	Grid 1	18.25000	20.50000	-3.50000	-0.95157	-3.7250	-0.017911
-2.8861	51.588E-6						
1 Displacement	Grid 1	19.25000	20.50000	-3.50000	-1.56375	-3.7250	-0.25925
-9.0049	145.93E-6						
1 Displacement	Grid 1	20.25000	20.50000	-3.50000	-4.12591	-3.6800	-59.598
-123.73	-0.0021353						
1 Displacement	Grid 1	21.25000	20.50000	-3.50000	-5.42295	-3.6800	-62.433
-145.43	-0.0019470						
1 Displacement	Grid 1	22.25000	20.50000	-3.50000	-4.48771	-3.6800	-62.456
-147.24	-0.0019153						
1 Displacement	Grid 1	23.25000	20.50000	-3.50000	-5.89649	-3.6800	-62.452
-147.09	-0.0019180						
1 Displacement	Grid 1	24.25000	20.50000	-3.50000	-5.59075	-3.6800	-62.266
-142.28	-0.0019924						
1 Displacement	Grid 1	25.25000	20.50000	-3.50000	-3.00629	-3.7250	-2.3175
-26.843	320.88E-6						
1 Displacement	Grid 1	26.25000	20.50000	-3.50000	-1.88731	-3.7250	-0.20734
-9.2071	153.48E-6						
1 Displacement	Grid 1	27.25000	20.50000	-3.50000	-1.24041	-3.7250	-0.039473
-4.0935	72.132E-6						
1 Displacement	Grid 1	28.25000	20.50000	-3.50000	-0.82443	-3.7250	-0.0081354
-2.0344	36.695E-6						
1 Displacement	Grid 1	29.25000	20.50000	-3.50000	-0.55261	-3.7250	-0.0026211
-1.1845	21.523E-6						
1 Displacement	Grid 1	30.25000	20.50000	-3.50000	-0.36662	-3.7250	-0.0010954
-0.76014	13.855E-6						
1 Displacement	Grid 1	31.25000	20.50000	-3.50000	-0.23806	-3.7250	-535.28E-6
-0.51973	9.4888E-6						
1 Displacement	Grid 1	32.25000	20.50000	-3.50000	-0.14946	-3.7250	-290.12E-6
-0.37181	6.7950E-6						

1 Displacement Grid 1	33.25000	20.50000	-3.50000	-0.08883	-3.7250	-169.35E-6
-0.27531 5.0349E-6						
1 Displacement Grid 1	34.25000	20.50000	-3.50000	-0.04770	-3.7250	-104.56E-6
-0.20955 3.8339E-6						
1 Displacement Grid 1	35.25000	20.50000	-3.50000	-0.02011	-3.7250	-67.504E-6
-0.16314 2.9859E-6						
1 Displacement Grid 1	36.25000	20.50000	-3.50000	-0.00189	-3.7250	-45.195E-6
-0.12945 2.3699E-6						
1 Displacement Grid 1	37.25000	20.50000	-3.50000	0.00988	-3.7250	-31.195E-6
-0.10441 1.9118E-6						
1 Displacement Grid 1	38.25000	20.50000	-3.50000	0.01725	-3.7250	-22.099E-6
-0.085410 1.5642E-6						
1 Displacement Grid 1	39.25000	20.50000	-3.50000	0.02160	-3.7250	-16.010E-6
-0.070741 1.2957E-6						
1 Displacement Grid 1	40.25000	20.50000	-3.50000	0.02393	-3.7250	-11.830E-6
-0.059237 1.0851E-6						
1 Displacement Grid 1	41.25000	20.50000	-3.50000	0.02489	-3.7250	-8.8942E-6
-0.050091 917.68E-9						
1 Displacement Grid 1	42.25000	20.50000	-3.50000	0.02495	-3.7250	-6.7911E-6
-0.042730 782.88E-9						
1 Displacement Grid 1	43.25000	20.50000	-3.50000	0.02444	-3.7250	-5.2576E-6
-0.036739 673.16E-9						
1 Displacement Grid 1	44.25000	20.50000	-3.50000	0.02356	-3.7250	-4.1216E-6
-0.031815 582.97E-9						
1 Displacement Grid 1	45.25000	20.50000	-3.50000	0.02248	-3.7250	-3.2678E-6
-0.027731 508.17E-9						
1 Displacement Grid 1	46.25000	20.50000	-3.50000	0.02129	-3.7250	-2.6178E-6
-0.024316 445.60E-9						
1 Displacement Grid 1	0.25000	21.50000	-3.50000	0.02160	-3.7250	-2.8260E-6
-0.025444 466.26E-9						
1 Displacement Grid 1	1.25000	21.50000	-3.50000	0.02275	-3.7250	-3.5458E-6
-0.029104 533.31E-9						
1 Displacement Grid 1	2.25000	21.50000	-3.50000	0.02376	-3.7250	-4.4980E-6
-0.033502 613.87E-9						
1 Displacement Grid 1	3.25000	21.50000	-3.50000	0.02450	-3.7250	-5.7754E-6
-0.038834 711.53E-9						
1 Displacement Grid 1	4.25000	21.50000	-3.50000	0.02479	-3.7250	-7.5159E-6
-0.045363 831.09E-9						
1 Displacement Grid 1	5.25000	21.50000	-3.50000	0.02438	-3.7250	-9.9287E-6
-0.053443 979.06E-9						
1 Displacement Grid 1	6.25000	21.50000	-3.50000	0.02287	-3.7250	-13.339E-6
-0.063567 1.1644E-6						
1 Displacement Grid 1	7.25000	21.50000	-3.50000	0.01970	-3.7250	-18.266E-6
-0.076426 1.3998E-6						
1 Displacement Grid 1	8.25000	21.50000	-3.50000	0.01405	-3.7250	-25.564E-6
-0.093012 1.7033E-6						
1 Displacement Grid 1	9.25000	21.50000	-3.50000	0.00469	-3.7250	-36.694E-6
-0.11479 2.1018E-6						
1 Displacement Grid 1	10.25000	21.50000	-3.50000	-0.01013	-3.7250	-54.252E-6
-0.14397 2.6355E-6						
1 Displacement Grid 1	11.25000	21.50000	-3.50000	-0.03304	-3.7250	-83.089E-6
-0.18403 3.3678E-6						
1 Displacement Grid 1	12.25000	21.50000	-3.50000	-0.06782	-3.7250	-132.84E-6
-0.24062 4.4016E-6						
1 Displacement Grid 1	13.25000	21.50000	-3.50000	-0.12007	-3.7250	-224.08E-6
-0.32342 5.9128E-6						
1 Displacement Grid 1	14.25000	21.50000	-3.50000	-0.19795	-3.7250	-405.32E-6
-0.45007 8.2214E-6						
1 Displacement Grid 1	15.25000	21.50000	-3.50000	-0.31346	-3.7250	-806.52E-6
-0.65554 11.959E-6						
1 Displacement Grid 1	16.25000	21.50000	-3.50000	-0.48457	-3.7250	-0.0018461
-1.0177 18.521E-6						
1 Displacement Grid 1	17.25000	21.50000	-3.50000	-0.74064	-3.7250	-0.0053052
-1.7433 31.569E-6						
1 Displacement Grid 1	18.25000	21.50000	-3.50000	-1.14590	-3.7250	-0.023453
-3.5700 63.718E-6						
1 Displacement Grid 1	19.25000	21.50000	-3.50000	-1.96112	-3.7250	-0.31379
-11.357 185.02E-6						
1 Displacement Grid 1	20.25000	21.50000	-3.50000	-5.22290	-3.6800	-59.981
-131.56 -0.0020200						
1 Displacement Grid 1	21.25000	21.50000	-3.50000	-6.86647	-3.6800	-62.941

-156.45	-0.0017824						
1 Displacement	Grid 1	22.25000	21.50000	-3.50000	-7.52876	-3.6800	-62.970
-158.88	-0.0017399						
1 Displacement	Grid 1	23.25000	21.50000	-3.50000	-7.64092	-3.6800	-62.969
-158.95	-0.0017386						
1 Displacement	Grid 1	24.25000	21.50000	-3.50000	-7.23388	-3.6800	-62.891
-156.01	-0.0017868						
1 Displacement	Grid 1	25.25000	21.50000	-3.50000	-5.72405	-3.6800	-58.582
-131.71	-0.0019138						
1 Displacement	Grid 1	26.25000	21.50000	-3.50000	-4.31457	-3.6800	-55.870
-108.51	-0.0021388						
1 Displacement	Grid 1	27.25000	21.50000	-3.50000	-1.71282	-3.7250	-0.21043
-8.2417	135.55E-6						
1 Displacement	Grid 1	28.25000	21.50000	-3.50000	-1.03031	-3.7250	-0.016160
-2.8555	51.157E-6						
1 Displacement	Grid 1	29.25000	21.50000	-3.50000	-0.66798	-3.7250	-0.0039807
-1.4842	26.916E-6						
1 Displacement	Grid 1	30.25000	21.50000	-3.50000	-0.43571	-3.7250	-0.0014758
-0.89897	16.372E-6						
1 Displacement	Grid 1	31.25000	21.50000	-3.50000	-0.28032	-3.7250	-673.23E-6
-0.59279	10.818E-6						
1 Displacement	Grid 1	32.25000	21.50000	-3.50000	-0.17553	-3.7250	-348.66E-6
-0.41354	7.5557E-6						
1 Displacement	Grid 1	33.25000	21.50000	-3.50000	-0.10495	-3.7250	-196.98E-6
-0.30060	5.4964E-6						
1 Displacement	Grid 1	34.25000	21.50000	-3.50000	-0.05766	-3.7250	-118.68E-6
-0.22558	4.1269E-6						
1 Displacement	Grid 1	35.25000	21.50000	-3.50000	-0.02624	-3.7250	-75.166E-6
-0.17370	3.1789E-6						
1 Displacement	Grid 1	36.25000	21.50000	-3.50000	-0.00562	-3.7250	-49.568E-6
-0.13663	2.5012E-6						
1 Displacement	Grid 1	37.25000	21.50000	-3.50000	0.00766	-3.7250	-33.798E-6
-0.10942	2.0035E-6						
1 Displacement	Grid 1	38.25000	21.50000	-3.50000	0.01596	-3.7250	-23.704E-6
-0.088990	1.6297E-6						
1 Displacement	Grid 1	39.25000	21.50000	-3.50000	0.02091	-3.7250	-17.032E-6
-0.073352	1.3435E-6						
1 Displacement	Grid 1	40.25000	21.50000	-3.50000	0.02359	-3.7250	-12.498E-6
-0.061177	1.1207E-6						
1 Displacement	Grid 1	41.25000	21.50000	-3.50000	0.02478	-3.7250	-9.3416E-6
-0.051556	944.50E-9						
1 Displacement	Grid 1	42.25000	21.50000	-3.50000	0.02497	-3.7250	-7.0973E-6
-0.043852	803.43E-9						
1 Displacement	Grid 1	43.25000	21.50000	-3.50000	0.02454	-3.7250	-5.4713E-6
-0.037611	689.12E-9						
1 Displacement	Grid 1	44.25000	21.50000	-3.50000	0.02370	-3.7250	-4.2734E-6
-0.032500	595.52E-9						
1 Displacement	Grid 1	45.25000	21.50000	-3.50000	0.02264	-3.7250	-3.3773E-6
-0.028275	518.13E-9						
1 Displacement	Grid 1	46.25000	21.50000	-3.50000	0.02145	-3.7250	-2.6979E-6
-0.024753	453.60E-9						
1 Displacement	Grid 1	0.25000	22.50000	-3.50000	0.02171	-3.7250	-2.8813E-6
-0.025744	471.76E-9						
1 Displacement	Grid 1	1.25000	22.50000	-3.50000	0.02286	-3.7250	-3.6215E-6
-0.029478	540.17E-9						
1 Displacement	Grid 1	2.25000	22.50000	-3.50000	0.02385	-3.7250	-4.6031E-6
-0.033974	622.52E-9						
1 Displacement	Grid 1	3.25000	22.50000	-3.50000	0.02456	-3.7250	-5.9238E-6
-0.039436	722.56E-9						
1 Displacement	Grid 1	4.25000	22.50000	-3.50000	0.02480	-3.7250	-7.7292E-6
-0.046139	845.32E-9						
1 Displacement	Grid 1	5.25000	22.50000	-3.50000	0.02429	-3.7250	-10.241E-6
-0.054459	997.66E-9						
1 Displacement	Grid 1	6.25000	22.50000	-3.50000	0.02262	-3.7250	-13.807E-6
-0.064916	1.1891E-6						
1 Displacement	Grid 1	7.25000	22.50000	-3.50000	0.01920	-3.7250	-18.985E-6
-0.078248	1.4331E-6						
1 Displacement	Grid 1	8.25000	22.50000	-3.50000	0.01312	-3.7250	-26.699E-6
-0.095519	1.7492E-6						
1 Displacement	Grid 1	9.25000	22.50000	-3.50000	0.00310	-3.7250	-38.543E-6
-0.11831	2.1662E-6						

1 Displacement Grid 1	10.25000	22.50000	-3.50000	-0.01281	-3.7250	-57.372E-6
-0.14904 2.7282E-6						
1 Displacement Grid 1	11.25000	22.50000	-3.50000	-0.03744	-3.7250	-88.575E-6
-0.19153 3.5048E-6						
1 Displacement Grid 1	12.25000	22.50000	-3.50000	-0.07500	-3.7250	-142.95E-6
-0.25206 4.6105E-6						
1 Displacement Grid 1	13.25000	22.50000	-3.50000	-0.13171	-3.7250	-243.81E-6
-0.34150 6.2429E-6						
1 Displacement Grid 1	14.25000	22.50000	-3.50000	-0.21680	-3.7250	-446.44E-6
-0.47989 8.7650E-6						
1 Displacement Grid 1	15.25000	22.50000	-3.50000	-0.34404	-3.7250	-899.46E-6
-0.70715 12.898E-6						
1 Displacement Grid 1	16.25000	22.50000	-3.50000	-0.53438	-3.7250	-0.0020784
-1.1123 20.239E-6						
1 Displacement Grid 1	17.25000	22.50000	-3.50000	-0.82244	-3.7250	-0.0059643
-1.9289 34.923E-6						
1 Displacement Grid 1	18.25000	22.50000	-3.50000	-1.28213	-3.7250	-0.025618
-3.9610 70.725E-6						
1 Displacement Grid 1	19.25000	22.50000	-3.50000	-2.18597	-3.7250	-0.32149
-12.209 200.07E-6						
1 Displacement Grid 1	20.25000	22.50000	-3.50000	-5.35450	-3.6800	-59.992
-132.87 -0.0019969						
1 Displacement Grid 1	21.25000	22.50000	-3.50000	-7.20588	-3.6800	-62.957
-158.27 -0.0017502						
1 Displacement Grid 1	22.25000	22.50000	-3.50000	-8.14289	-3.6800	-62.987
-160.97 -0.0017029						
1 Displacement Grid 1	23.25000	22.50000	-3.50000	-8.30101	-3.6800	-62.989
-161.33 -0.0016966						
1 Displacement Grid 1	24.25000	22.50000	-3.50000	-7.95137	-3.6800	-62.980
-160.25 -0.0017155						
1 Displacement Grid 1	25.25000	22.50000	-3.50000	-6.61851	-3.6800	-62.934
-156.68 -0.0017778						
1 Displacement Grid 1	26.25000	22.50000	-3.50000	-5.32056	-3.6800	-59.971
-131.30 -0.0020241						
1 Displacement Grid 1	27.25000	22.50000	-3.50000	-2.08158	-3.7250	-0.30869
-11.225 182.98E-6						
1 Displacement Grid 1	28.25000	22.50000	-3.50000	-1.20013	-3.7250	-0.022706
-3.5478 63.366E-6						
1 Displacement Grid 1	29.25000	22.50000	-3.50000	-0.76289	-3.7250	-0.0051683
-1.7399 31.516E-6						
1 Displacement Grid 1	30.25000	22.50000	-3.50000	-0.49201	-3.7250	-0.0018100
-1.0156 18.485E-6						
1 Displacement Grid 1	31.25000	22.50000	-3.50000	-0.31441	-3.7250	-792.66E-6
-0.65280 11.909E-6						
1 Displacement Grid 1	32.25000	22.50000	-3.50000	-0.19635	-3.7250	-398.26E-6
-0.44705 8.1664E-6						
1 Displacement Grid 1	33.25000	22.50000	-3.50000	-0.11772	-3.7250	-219.87E-6
-0.32049 5.8594E-6						
1 Displacement Grid 1	34.25000	22.50000	-3.50000	-0.06550	-3.7250	-130.12E-6
-0.23798 4.3533E-6						
1 Displacement Grid 1	35.25000	22.50000	-3.50000	-0.03104	-3.7250	-81.259E-6
-0.18174 3.3259E-6						
1 Displacement Grid 1	36.25000	22.50000	-3.50000	-0.00853	-3.7250	-52.987E-6
-0.14202 2.5998E-6						
1 Displacement Grid 1	37.25000	22.50000	-3.50000	0.00592	-3.7250	-35.803E-6
-0.11314 2.0716E-6						
1 Displacement Grid 1	38.25000	22.50000	-3.50000	0.01495	-3.7250	-24.925E-6
-0.091627 1.6780E-6						
1 Displacement Grid 1	39.25000	22.50000	-3.50000	0.02035	-3.7250	-17.801E-6
-0.075261 1.3785E-6						
1 Displacement Grid 1	40.25000	22.50000	-3.50000	0.02331	-3.7250	-12.996E-6
-0.062586 1.1464E-6						
1 Displacement Grid 1	41.25000	22.50000	-3.50000	0.02467	-3.7250	-9.6725E-6
-0.052614 963.87E-9						
1 Displacement Grid 1	42.25000	22.50000	-3.50000	0.02497	-3.7250	-7.3222E-6
-0.044658 818.20E-9						
1 Displacement Grid 1	43.25000	22.50000	-3.50000	0.02459	-3.7250	-5.6273E-6
-0.038234 700.54E-9						
1 Displacement Grid 1	44.25000	22.50000	-3.50000	0.02379	-3.7250	-4.3836E-6
-0.032988 604.46E-9						
1 Displacement Grid 1	45.25000	22.50000	-3.50000	0.02274	-3.7250	-3.4565E-6

-0.028662	525.21E-9						
1 Displacement	Grid 1	46.25000	22.50000	-3.50000	0.02156	-3.7250	-2.7556E-6
-0.025062	459.26E-9						
1 Displacement	Grid 1	0.25000	23.50000	-3.50000	0.02177	-3.7250	-2.9103E-6
-0.025902	474.65E-9						
1 Displacement	Grid 1	1.25000	23.50000	-3.50000	0.02291	-3.7250	-3.6612E-6
-0.029675	543.78E-9						
1 Displacement	Grid 1	2.25000	23.50000	-3.50000	0.02390	-3.7250	-4.6583E-6
-0.034223	627.07E-9						
1 Displacement	Grid 1	3.25000	23.50000	-3.50000	0.02459	-3.7250	-6.0018E-6
-0.039753	728.36E-9						
1 Displacement	Grid 1	4.25000	23.50000	-3.50000	0.02480	-3.7250	-7.8414E-6
-0.046549	852.82E-9						
1 Displacement	Grid 1	5.25000	23.50000	-3.50000	0.02424	-3.7250	-10.406E-6
-0.054995	1.0075E-6						
1 Displacement	Grid 1	6.25000	23.50000	-3.50000	0.02249	-3.7250	-14.054E-6
-0.065629	1.2022E-6						
1 Displacement	Grid 1	7.25000	23.50000	-3.50000	0.01892	-3.7250	-19.365E-6
-0.079211	1.4508E-6						
1 Displacement	Grid 1	8.25000	23.50000	-3.50000	0.01262	-3.7250	-27.301E-6
-0.096847	1.7735E-6						
1 Displacement	Grid 1	9.25000	23.50000	-3.50000	0.00223	-3.7250	-39.525E-6
-0.12018	2.2004E-6						
1 Displacement	Grid 1	10.25000	23.50000	-3.50000	-0.01425	-3.7250	-59.034E-6
-0.15174	2.7775E-6						
1 Displacement	Grid 1	11.25000	23.50000	-3.50000	-0.03981	-3.7250	-91.505E-6
-0.19553	3.5779E-6						
1 Displacement	Grid 1	12.25000	23.50000	-3.50000	-0.07887	-3.7250	-148.36E-6
-0.25817	4.7221E-6						
1 Displacement	Grid 1	13.25000	23.50000	-3.50000	-0.13799	-3.7250	-254.32E-6
-0.35118	6.4195E-6						
1 Displacement	Grid 1	14.25000	23.50000	-3.50000	-0.22697	-3.7250	-468.13E-6
-0.49582	9.0555E-6						
1 Displacement	Grid 1	15.25000	23.50000	-3.50000	-0.36051	-3.7250	-947.15E-6
-0.73453	13.396E-6						
1 Displacement	Grid 1	16.25000	23.50000	-3.50000	-0.56109	-3.7250	-0.0021904
-1.1614	21.131E-6						
1 Displacement	Grid 1	17.25000	23.50000	-3.50000	-0.86570	-3.7250	-0.0062422
-2.0202	36.575E-6						
1 Displacement	Grid 1	18.25000	23.50000	-3.50000	-1.35177	-3.7250	-0.026320
-4.1326	73.819E-6						
1 Displacement	Grid 1	19.25000	23.50000	-3.50000	-2.29823	-3.7250	-0.32313
-12.518	205.62E-6						
1 Displacement	Grid 1	20.25000	23.50000	-3.50000	-5.60673	-3.6800	-59.994
-133.26	-0.0019897						
1 Displacement	Grid 1	21.25000	23.50000	-3.50000	-7.47581	-3.6800	-62.959
-158.80	-0.0017406						
1 Displacement	Grid 1	22.25000	23.50000	-3.50000	-8.37612	-3.6800	-62.990
-161.62	-0.0016913						
1 Displacement	Grid 1	23.25000	23.50000	-3.50000	-8.55997	-3.6800	-62.993
-162.12	-0.0016824						
1 Displacement	Grid 1	24.25000	23.50000	-3.50000	-8.23927	-3.6800	-62.989
-161.41	-0.0016951						
1 Displacement	Grid 1	25.25000	23.50000	-3.50000	-7.09541	-3.6800	-62.957
-158.42	-0.0017474						
1 Displacement	Grid 1	26.25000	23.50000	-3.50000	-5.62768	-3.6800	-59.991
-132.87	-0.0019968						
1 Displacement	Grid 1	27.25000	23.50000	-3.50000	-2.25754	-3.7250	-0.32081
-12.162	199.26E-6						
1 Displacement	Grid 1	28.25000	23.50000	-3.50000	-1.30081	-3.7250	-0.025334
-3.9199	69.992E-6						
1 Displacement	Grid 1	29.25000	23.50000	-3.50000	-0.82209	-3.7250	-0.0058479
-1.8986	34.376E-6						
1 Displacement	Grid 1	30.25000	23.50000	-3.50000	-0.52749	-3.7250	-0.0020245
-1.0904	19.841E-6						
1 Displacement	Grid 1	31.25000	23.50000	-3.50000	-0.33588	-3.7250	-871.69E-6
-0.69120	12.608E-6						
1 Displacement	Grid 1	32.25000	23.50000	-3.50000	-0.20943	-3.7250	-431.03E-6
-0.46820	8.5518E-6						
1 Displacement	Grid 1	33.25000	23.50000	-3.50000	-0.12572	-3.7250	-234.79E-6
-0.33285	6.0848E-6						

1 Displacement Grid 1	34.25000	23.50000	-3.50000	-0.07040	-3.7250	-137.45E-6
-0.24556 4.4918E-6						
1 Displacement Grid 1	35.25000	23.50000	-3.50000	-0.03404	-3.7250	-85.103E-6
-0.18659 3.4145E-6						
1 Displacement Grid 1	36.25000	23.50000	-3.50000	-0.01036	-3.7250	-55.112E-6
-0.14523 2.6585E-6						
1 Displacement Grid 1	37.25000	23.50000	-3.50000	0.00482	-3.7250	-37.033E-6
-0.11534 2.1118E-6						
1 Displacement Grid 1	38.25000	23.50000	-3.50000	0.01431	-3.7250	-25.666E-6
-0.093168 1.7062E-6						
1 Displacement Grid 1	39.25000	23.50000	-3.50000	0.01998	-3.7250	-18.262E-6
-0.076367 1.3987E-6						
1 Displacement Grid 1	40.25000	23.50000	-3.50000	0.02312	-3.7250	-13.292E-6
-0.063397 1.1613E-6						
1 Displacement Grid 1	41.25000	23.50000	-3.50000	0.02459	-3.7250	-9.8676E-6
-0.053219 974.95E-9						
1 Displacement Grid 1	42.25000	23.50000	-3.50000	0.02495	-3.7250	-7.4539E-6
-0.045118 826.60E-9						
1 Displacement Grid 1	43.25000	23.50000	-3.50000	0.02461	-3.7250	-5.7180E-6
-0.038587 707.01E-9						
1 Displacement Grid 1	44.25000	23.50000	-3.50000	0.02383	-3.7250	-4.4473E-6
-0.033264 609.50E-9						
1 Displacement Grid 1	45.25000	23.50000	-3.50000	0.02279	-3.7250	-3.5020E-6
-0.028879 529.19E-9						
1 Displacement Grid 1	46.25000	23.50000	-3.50000	0.02161	-3.7250	-2.7887E-6
-0.025235 462.44E-9						
1 Displacement Grid 1	0.25000	24.50000	-3.50000	0.02177	-3.7250	-2.9119E-6
-0.025913 474.86E-9						
1 Displacement Grid 1	1.25000	24.50000	-3.50000	0.02291	-3.7250	-3.6633E-6
-0.029689 544.03E-9						
1 Displacement Grid 1	2.25000	24.50000	-3.50000	0.02390	-3.7250	-4.6612E-6
-0.034240 627.38E-9						
1 Displacement Grid 1	3.25000	24.50000	-3.50000	0.02459	-3.7250	-6.0057E-6
-0.039774 728.75E-9						
1 Displacement Grid 1	4.25000	24.50000	-3.50000	0.02480	-3.7250	-7.8467E-6
-0.046575 853.30E-9						
1 Displacement Grid 1	5.25000	24.50000	-3.50000	0.02424	-3.7250	-10.413E-6
-0.055029 1.0081E-6						
1 Displacement Grid 1	6.25000	24.50000	-3.50000	0.02248	-3.7250	-14.065E-6
-0.065672 1.2029E-6						
1 Displacement Grid 1	7.25000	24.50000	-3.50000	0.01891	-3.7250	-19.380E-6
-0.079267 1.4518E-6						
1 Displacement Grid 1	8.25000	24.50000	-3.50000	0.01260	-3.7250	-27.323E-6
-0.096919 1.7748E-6						
1 Displacement Grid 1	9.25000	24.50000	-3.50000	0.00219	-3.7250	-39.557E-6
-0.12028 2.2022E-6						
1 Displacement Grid 1	10.25000	24.50000	-3.50000	-0.01432	-3.7250	-59.083E-6
-0.15187 2.7799E-6						
1 Displacement Grid 1	11.25000	24.50000	-3.50000	-0.03992	-3.7250	-91.581E-6
-0.19570 3.5811E-6						
1 Displacement Grid 1	12.25000	24.50000	-3.50000	-0.07903	-3.7250	-148.48E-6
-0.25842 4.7267E-6						
1 Displacement Grid 1	13.25000	24.50000	-3.50000	-0.13824	-3.7250	-254.53E-6
-0.35154 6.4261E-6						
1 Displacement Grid 1	14.25000	24.50000	-3.50000	-0.22735	-3.7250	-468.48E-6
-0.49635 9.0652E-6						
1 Displacement Grid 1	15.25000	24.50000	-3.50000	-0.36108	-3.7250	-947.80E-6
-0.73533 13.411E-6						
1 Displacement Grid 1	16.25000	24.50000	-3.50000	-0.56191	-3.7250	-0.0021916
-1.1627 21.154E-6						
1 Displacement Grid 1	17.25000	24.50000	-3.50000	-0.86685	-3.7250	-0.0062446
-2.0222 36.613E-6						
1 Displacement Grid 1	18.25000	24.50000	-3.50000	-1.35327	-3.7250	-0.026325
-4.1361 73.884E-6						
1 Displacement Grid 1	19.25000	24.50000	-3.50000	-2.30000	-3.7250	-0.32314
-12.524 205.73E-6						
1 Displacement Grid 1	20.25000	24.50000	-3.50000	-5.60964	-3.6800	-59.994
-133.27 -0.0019896						
1 Displacement Grid 1	21.25000	24.50000	-3.50000	-7.48010	-3.6800	-62.959
-158.82 -0.0017403						
1 Displacement Grid 1	22.25000	24.50000	-3.50000	-8.38415	-3.6800	-62.990



-161.66	-0.0016905						
1 Displacement	Grid 1	23.25000	24.50000	-3.50000	-8.57686	-3.6800	-62.993
-162.21	-0.0016807						
1 Displacement	Grid 1	24.25000	24.50000	-3.50000	-8.27152	-3.6800	-62.990
-161.59	-0.0016919						
1 Displacement	Grid 1	25.25000	24.50000	-3.50000	-7.14313	-3.6800	-62.958
-158.69	-0.0017426						
1 Displacement	Grid 1	26.25000	24.50000	-3.50000	-5.67753	-3.6800	-59.993
-133.13	-0.0019922						
1 Displacement	Grid 1	27.25000	24.50000	-3.50000	-2.29509	-3.7250	-0.32254
-12.372	202.98E-6						
1 Displacement	Grid 1	28.25000	24.50000	-3.50000	-1.32590	-3.7250	-0.025972
-4.0254	71.879E-6						
1 Displacement	Grid 1	29.25000	24.50000	-3.50000	-0.83784	-3.7250	-0.0060599
-1.9477	35.260E-6						
1 Displacement	Grid 1	30.25000	24.50000	-3.50000	-0.53720	-3.7250	-0.0020973
-1.1135	20.260E-6						
1 Displacement	Grid 1	31.25000	24.50000	-3.50000	-0.34185	-3.7250	-898.69E-6
-0.70271	12.817E-6						
1 Displacement	Grid 1	32.25000	24.50000	-3.50000	-0.21310	-3.7250	-441.95E-6
-0.47427	8.6622E-6						
1 Displacement	Grid 1	33.25000	24.50000	-3.50000	-0.12799	-3.7250	-239.58E-6
-0.33623	6.1464E-6						
1 Displacement	Grid 1	34.25000	24.50000	-3.50000	-0.07181	-3.7250	-139.71E-6
-0.24754	4.5280E-6						
1 Displacement	Grid 1	35.25000	24.50000	-3.50000	-0.03491	-3.7250	-86.239E-6
-0.18780	3.4367E-6						
1 Displacement	Grid 1	36.25000	24.50000	-3.50000	-0.01091	-3.7250	-55.715E-6
-0.14601	2.6727E-6						
1 Displacement	Grid 1	37.25000	24.50000	-3.50000	0.00448	-3.7250	-37.369E-6
-0.11585	2.1211E-6						
1 Displacement	Grid 1	38.25000	24.50000	-3.50000	0.01409	-3.7250	-25.861E-6
-0.093515	1.7125E-6						
1 Displacement	Grid 1	39.25000	24.50000	-3.50000	0.01985	-3.7250	-18.380E-6
-0.076609	1.4031E-6						
1 Displacement	Grid 1	40.25000	24.50000	-3.50000	0.02304	-3.7250	-13.365E-6
-0.063569	1.1645E-6						
1 Displacement	Grid 1	41.25000	24.50000	-3.50000	0.02454	-3.7250	-9.9145E-6
-0.053345	977.25E-9						
1 Displacement	Grid 1	42.25000	24.50000	-3.50000	0.02492	-3.7250	-7.4847E-6
-0.045211	828.31E-9						
1 Displacement	Grid 1	43.25000	24.50000	-3.50000	0.02459	-3.7250	-5.7388E-6
-0.038658	708.30E-9						
1 Displacement	Grid 1	44.25000	24.50000	-3.50000	0.02382	-3.7250	-4.4615E-6
-0.033317	610.49E-9						
1 Displacement	Grid 1	45.25000	24.50000	-3.50000	0.02279	-3.7250	-3.5120E-6
-0.028921	529.95E-9						
1 Displacement	Grid 1	46.25000	24.50000	-3.50000	0.02161	-3.7250	-2.7958E-6
-0.025268	463.03E-9						
1 Displacement	Grid 1	0.25000	25.50000	-3.50000	0.02172	-3.7250	-2.8861E-6
-0.025778	472.38E-9						
1 Displacement	Grid 1	1.25000	25.50000	-3.50000	0.02287	-3.7250	-3.6279E-6
-0.029520	540.93E-9						
1 Displacement	Grid 1	2.25000	25.50000	-3.50000	0.02386	-3.7250	-4.6116E-6
-0.034025	623.45E-9						
1 Displacement	Grid 1	3.25000	25.50000	-3.50000	0.02456	-3.7250	-5.9353E-6
-0.039499	723.71E-9						
1 Displacement	Grid 1	4.25000	25.50000	-3.50000	0.02480	-3.7250	-7.7448E-6
-0.046218	846.76E-9						
1 Displacement	Grid 1	5.25000	25.50000	-3.50000	0.02428	-3.7250	-10.263E-6
-0.054558	999.48E-9						
1 Displacement	Grid 1	6.25000	25.50000	-3.50000	0.02260	-3.7250	-13.838E-6
-0.065043	1.1914E-6						
1 Displacement	Grid 1	7.25000	25.50000	-3.50000	0.01915	-3.7250	-19.028E-6
-0.078411	1.4361E-6						
1 Displacement	Grid 1	8.25000	25.50000	-3.50000	0.01304	-3.7250	-26.763E-6
-0.095733	1.7531E-6						
1 Displacement	Grid 1	9.25000	25.50000	-3.50000	0.00297	-3.7250	-38.637E-6
-0.11860	2.1714E-6						
1 Displacement	Grid 1	10.25000	25.50000	-3.50000	-0.01301	-3.7250	-57.515E-6
-0.14942	2.7352E-6						

1 Displacement Grid 1	11.25000	25.50000	-3.50000	-0.03776	-3.7250	-88.799E-6
-0.19205 3.5144E-6						
1 Displacement Grid 1	12.25000	25.50000	-3.50000	-0.07548	-3.7250	-143.31E-6
-0.25279 4.6239E-6						
1 Displacement Grid 1	13.25000	25.50000	-3.50000	-0.13245	-3.7250	-244.41E-6
-0.34256 6.2622E-6						
1 Displacement Grid 1	14.25000	25.50000	-3.50000	-0.21791	-3.7250	-447.47E-6
-0.48144 8.7933E-6						
1 Displacement Grid 1	15.25000	25.50000	-3.50000	-0.34568	-3.7250	-901.31E-6
-0.70950 12.941E-6						
1 Displacement Grid 1	16.25000	25.50000	-3.50000	-0.53676	-3.7250	-0.0020819
-1.1160 20.306E-6						
1 Displacement Grid 1	17.25000	25.50000	-3.50000	-0.82575	-3.7250	-0.0059713
-1.9349 35.033E-6						
1 Displacement Grid 1	18.25000	25.50000	-3.50000	-1.28636	-3.7250	-0.025633
-3.9712 70.912E-6						
1 Displacement Grid 1	19.25000	25.50000	-3.50000	-2.19051	-3.7250	-0.32152
-12.227 200.40E-6						
1 Displacement Grid 1	20.25000	25.50000	-3.50000	-5.36132	-3.6800	-59.992
-132.89 -0.0019964						
1 Displacement Grid 1	21.25000	25.50000	-3.50000	-7.21378	-3.6800	-62.957
-158.32 -0.0017492						
1 Displacement Grid 1	22.25000	25.50000	-3.50000	-8.15818	-3.6800	-62.988
-161.10 -0.0017005						
1 Displacement Grid 1	23.25000	25.50000	-3.50000	-8.34415	-3.6800	-62.991
-161.65 -0.0016908						
1 Displacement Grid 1	24.25000	25.50000	-3.50000	-8.06236	-3.6800	-62.988
-161.07 -0.0017011						
1 Displacement Grid 1	25.25000	25.50000	-3.50000	-6.82183	-3.6800	-62.957
-158.27 -0.0017502						
1 Displacement Grid 1	26.25000	25.50000	-3.50000	-5.53208	-3.6800	-59.992
-132.83 -0.0019975						
1 Displacement Grid 1	27.25000	25.50000	-3.50000	-2.21203	-3.7250	-0.32132
-12.154 199.07E-6						
1 Displacement Grid 1	28.25000	25.50000	-3.50000	-1.27633	-3.7250	-0.025493
-3.9110 69.817E-6						
1 Displacement Grid 1	29.25000	25.50000	-3.50000	-0.80843	-3.7250	-0.0058837
-1.8894 34.203E-6						
1 Displacement Grid 1	30.25000	25.50000	-3.50000	-0.51974	-3.7250	-0.0020298
-1.0829 19.703E-6						
1 Displacement Grid 1	31.25000	25.50000	-3.50000	-0.33143	-3.7250	-870.76E-6
-0.68575 12.508E-6						
1 Displacement Grid 1	32.25000	25.50000	-3.50000	-0.20685	-3.7250	-429.39E-6
-0.46438 8.4819E-6						
1 Displacement Grid 1	33.25000	25.50000	-3.50000	-0.12423	-3.7250	-233.49E-6
-0.33018 6.0361E-6						
1 Displacement Grid 1	34.25000	25.50000	-3.50000	-0.06955	-3.7250	-136.56E-6
-0.24369 4.4575E-6						
1 Displacement Grid 1	35.25000	25.50000	-3.50000	-0.03357	-3.7250	-84.510E-6
-0.18526 3.3901E-6						
1 Displacement Grid 1	36.25000	25.50000	-3.50000	-0.01012	-3.7250	-54.722E-6
-0.14427 2.6409E-6						
1 Displacement Grid 1	37.25000	25.50000	-3.50000	0.00493	-3.7250	-36.774E-6
-0.11463 2.0989E-6						
1 Displacement Grid 1	38.25000	25.50000	-3.50000	0.01433	-3.7250	-25.492E-6
-0.092643 1.6966E-6						
1 Displacement Grid 1	39.25000	25.50000	-3.50000	0.01996	-3.7250	-18.144E-6
-0.075971 1.3915E-6						
1 Displacement Grid 1	40.25000	25.50000	-3.50000	0.02308	-3.7250	-13.210E-6
-0.063094 1.1557E-6						
1 Displacement Grid 1	41.25000	25.50000	-3.50000	0.02453	-3.7250	-9.8101E-6
-0.052984 970.65E-9						
1 Displacement Grid 1	42.25000	25.50000	-3.50000	0.02489	-3.7250	-7.4129E-6
-0.044934 823.24E-9						
1 Displacement Grid 1	43.25000	25.50000	-3.50000	0.02455	-3.7250	-5.6884E-6
-0.038442 704.34E-9						
1 Displacement Grid 1	44.25000	25.50000	-3.50000	0.02377	-3.7250	-4.4256E-6
-0.033147 607.37E-9						
1 Displacement Grid 1	45.25000	25.50000	-3.50000	0.02273	-3.7250	-3.4859E-6
-0.028785 527.47E-9						
1 Displacement Grid 1	46.25000	25.50000	-3.50000	0.02156	-3.7250	-2.7766E-6

-0.025159	461.04E-9						
1 Displacement	Grid 1	0.25000	26.50000	-3.50000	0.02162	-3.7250	-2.8339E-6
-0.025500	467.29E-9						
1 Displacement	Grid 1	1.25000	26.50000	-3.50000	0.02277	-3.7250	-3.5562E-6
-0.029172	534.56E-9						
1 Displacement	Grid 1	2.25000	26.50000	-3.50000	0.02377	-3.7250	-4.5119E-6
-0.033585	615.40E-9						
1 Displacement	Grid 1	3.25000	26.50000	-3.50000	0.02450	-3.7250	-5.7941E-6
-0.038937	713.42E-9						
1 Displacement	Grid 1	4.25000	26.50000	-3.50000	0.02479	-3.7250	-7.5413E-6
-0.045491	833.45E-9						
1 Displacement	Grid 1	5.25000	26.50000	-3.50000	0.02436	-3.7250	-9.9637E-6
-0.053605	982.02E-9						
1 Displacement	Grid 1	6.25000	26.50000	-3.50000	0.02283	-3.7250	-13.388E-6
-0.063773	1.1682E-6						
1 Displacement	Grid 1	7.25000	26.50000	-3.50000	0.01963	-3.7250	-18.336E-6
-0.076691	1.4046E-6						
1 Displacement	Grid 1	8.25000	26.50000	-3.50000	0.01392	-3.7250	-25.666E-6
-0.093358	1.7097E-6						
1 Displacement	Grid 1	9.25000	26.50000	-3.50000	0.00449	-3.7250	-36.845E-6
-0.11525	2.1101E-6						
1 Displacement	Grid 1	10.25000	26.50000	-3.50000	-0.01045	-3.7250	-54.480E-6
-0.14459	2.6467E-6						
1 Displacement	Grid 1	11.25000	26.50000	-3.50000	-0.03353	-3.7250	-83.443E-6
-0.18487	3.3832E-6						
1 Displacement	Grid 1	12.25000	26.50000	-3.50000	-0.06858	-3.7250	-133.40E-6
-0.24179	4.4230E-6						
1 Displacement	Grid 1	13.25000	26.50000	-3.50000	-0.12123	-3.7250	-225.01E-6
-0.32509	5.9434E-6						
1 Displacement	Grid 1	14.25000	26.50000	-3.50000	-0.19969	-3.7250	-406.91E-6
-0.45252	8.2661E-6						
1 Displacement	Grid 1	15.25000	26.50000	-3.50000	-0.31603	-3.7250	-809.34E-6
-0.65921	12.026E-6						
1 Displacement	Grid 1	16.25000	26.50000	-3.50000	-0.48828	-3.7250	-0.0018514
-1.0234	18.625E-6						
1 Displacement	Grid 1	17.25000	26.50000	-3.50000	-0.74574	-3.7250	-0.0053156
-1.7525	31.737E-6						
1 Displacement	Grid 1	18.25000	26.50000	-3.50000	-1.15223	-3.7250	-0.023475
-3.5856	64.001E-6						
1 Displacement	Grid 1	19.25000	26.50000	-3.50000	-1.96694	-3.7250	-0.31384
-11.384	185.52E-6						
1 Displacement	Grid 1	20.25000	26.50000	-3.50000	-5.22915	-3.6800	-59.981
-131.61	-0.0020192						
1 Displacement	Grid 1	21.25000	26.50000	-3.50000	-6.86064	-3.6800	-62.941
-156.54	-0.0017808						
1 Displacement	Grid 1	22.25000	26.50000	-3.50000	-7.50950	-3.6800	-62.971
-159.10	-0.0017361						
1 Displacement	Grid 1	23.25000	26.50000	-3.50000	-7.66202	-3.6800	-62.974
-159.59	-0.0017273						
1 Displacement	Grid 1	24.25000	26.50000	-3.50000	-7.47163	-3.6800	-62.971
-159.08	-0.0017364						
1 Displacement	Grid 1	25.25000	26.50000	-3.50000	-6.70351	-3.6800	-62.941
-156.51	-0.0017813						
1 Displacement	Grid 1	26.25000	26.50000	-3.50000	-5.30243	-3.6800	-59.981
-131.57	-0.0020198						
1 Displacement	Grid 1	27.25000	26.50000	-3.50000	-2.00319	-3.7250	-0.31376
-11.346	184.82E-6						
1 Displacement	Grid 1	28.25000	26.50000	-3.50000	-1.15400	-3.7250	-0.023414
-3.5512	63.375E-6						
1 Displacement	Grid 1	29.25000	26.50000	-3.50000	-0.73683	-3.7250	-0.0052726
-1.7242	31.221E-6						
1 Displacement	Grid 1	30.25000	26.50000	-3.50000	-0.47721	-3.7250	-0.0018226
-1.0012	18.220E-6						
1 Displacement	Grid 1	31.25000	26.50000	-3.50000	-0.30589	-3.7250	-790.70E-6
-0.64220	11.715E-6						
1 Displacement	Grid 1	32.25000	26.50000	-3.50000	-0.19141	-3.7250	-394.93E-6
-0.43962	8.0305E-6						
1 Displacement	Grid 1	33.25000	26.50000	-3.50000	-0.11486	-3.7250	-217.29E-6
-0.31531	5.7647E-6						
1 Displacement	Grid 1	34.25000	26.50000	-3.50000	-0.06387	-3.7250	-128.36E-6
-0.23434	4.2868E-6						

1 Displacement Grid 1	35.25000	26.50000	-3.50000	-0.03014	-3.7250	-80.103E-6
-0.17915 3.2785E-6						
1 Displacement Grid 1	36.25000	26.50000	-3.50000	-0.00808	-3.7250	-52.228E-6
-0.14015 2.5655E-6						
1 Displacement Grid 1	37.25000	26.50000	-3.50000	0.00611	-3.7250	-35.300E-6
-0.11177 2.0464E-6						
1 Displacement Grid 1	38.25000	26.50000	-3.50000	0.01499	-3.7250	-24.588E-6
-0.090601 1.6592E-6						
1 Displacement Grid 1	39.25000	26.50000	-3.50000	0.02030	-3.7250	-17.570E-6
-0.074485 1.3643E-6						
1 Displacement Grid 1	40.25000	26.50000	-3.50000	0.02322	-3.7250	-12.836E-6
-0.061991 1.1356E-6						
1 Displacement Grid 1	41.25000	26.50000	-3.50000	0.02455	-3.7250	-9.5601E-6
-0.052152 955.42E-9						
1 Displacement Grid 1	42.25000	26.50000	-3.50000	0.02485	-3.7250	-7.2420E-6
-0.044297 811.57E-9						
1 Displacement Grid 1	43.25000	26.50000	-3.50000	0.02447	-3.7250	-5.5692E-6
-0.037947 695.28E-9						
1 Displacement Grid 1	44.25000	26.50000	-3.50000	0.02367	-3.7250	-4.3409E-6
-0.032758 600.25E-9						
1 Displacement Grid 1	45.25000	26.50000	-3.50000	0.02263	-3.7250	-3.4248E-6
-0.028476 521.81E-9						
1 Displacement Grid 1	46.25000	26.50000	-3.50000	0.02146	-3.7250	-2.7319E-6
-0.024911 456.49E-9						
1 Displacement Grid 1	0.25000	27.50000	-3.50000	0.02146	-3.7250	-2.7572E-6
-0.025086 459.71E-9						
1 Displacement Grid 1	1.25000	27.50000	-3.50000	0.02262	-3.7250	-3.4513E-6
-0.028656 525.11E-9						
1 Displacement Grid 1	2.25000	27.50000	-3.50000	0.02364	-3.7250	-4.3663E-6
-0.032935 603.49E-9						
1 Displacement Grid 1	3.25000	27.50000	-3.50000	0.02441	-3.7250	-5.5889E-6
-0.038109 698.25E-9						
1 Displacement Grid 1	4.25000	27.50000	-3.50000	0.02477	-3.7250	-7.2469E-6
-0.044423 813.88E-9						
1 Displacement Grid 1	5.25000	27.50000	-3.50000	0.02446	-3.7250	-9.5331E-6
-0.052209 956.45E-9						
1 Displacement Grid 1	6.25000	27.50000	-3.50000	0.02315	-3.7250	-12.744E-6
-0.061921 1.1343E-6						
1 Displacement Grid 1	7.25000	27.50000	-3.50000	0.02029	-3.7250	-17.351E-6
-0.074194 1.3589E-6						
1 Displacement Grid 1	8.25000	27.50000	-3.50000	0.01515	-3.7250	-24.117E-6
-0.089931 1.6470E-6						
1 Displacement Grid 1	9.25000	27.50000	-3.50000	0.00662	-3.7250	-34.332E-6
-0.11044 2.0223E-6						
1 Displacement Grid 1	10.25000	27.50000	-3.50000	-0.00688	-3.7250	-50.258E-6
-0.13770 2.5208E-6						
1 Displacement Grid 1	11.25000	27.50000	-3.50000	-0.02766	-3.7250	-76.053E-6
-0.17473 3.1977E-6						
1 Displacement Grid 1	12.25000	27.50000	-3.50000	-0.05903	-3.7250	-119.82E-6
-0.22639 4.1415E-6						
1 Displacement Grid 1	13.25000	27.50000	-3.50000	-0.10576	-3.7250	-198.54E-6
-0.30082 5.5003E-6						
1 Displacement Grid 1	14.25000	27.50000	-3.50000	-0.17470	-3.7250	-351.29E-6
-0.41255 7.5374E-6						
1 Displacement Grid 1	15.25000	27.50000	-3.50000	-0.27554	-3.7250	-680.37E-6
-0.58965 10.760E-6						
1 Displacement Grid 1	16.25000	27.50000	-3.50000	-0.42221	-3.7250	-0.0015070
-0.89296 16.260E-6						
1 Displacement Grid 1	17.25000	27.50000	-3.50000	-0.63586	-3.7250	-0.0041715
-1.4800 26.825E-6						
1 Displacement Grid 1	18.25000	27.50000	-3.50000	-0.95952	-3.7250	-0.017937
-2.9049 51.932E-6						
1 Displacement Grid 1	19.25000	27.50000	-3.50000	-1.57067	-3.7250	-0.25931
-9.0379 146.53E-6						
1 Displacement Grid 1	20.25000	27.50000	-3.50000	-4.13060	-3.6800	-59.598
-123.78 -0.0021344						
1 Displacement Grid 1	21.25000	27.50000	-3.50000	-5.38588	-3.6800	-62.434
-145.53 -0.0019451						
1 Displacement Grid 1	22.25000	27.50000	-3.50000	-3.86124	-3.6800	-62.457
-147.49 -0.0019109						
1 Displacement Grid 1	23.25000	27.50000	-3.50000	-5.71219	-3.6800	-62.459

-147.87	-0.0019041						
1 Displacement	Grid 1	24.25000	27.50000	-3.50000	-5.75728	-3.6800	-62.456
-147.48	-0.0019110						
1 Displacement	Grid 1	25.25000	27.50000	-3.50000	-3.40559	-3.6800	-62.434
-145.52	-0.0019453						
1 Displacement	Grid 1	26.25000	27.50000	-3.50000	-4.39660	-3.6800	-59.598
-123.76	-0.0021347						
1 Displacement	Grid 1	27.25000	27.50000	-3.50000	-1.61952	-3.7250	-0.25928
-9.0163	146.14E-6						
1 Displacement	Grid 1	28.25000	27.50000	-3.50000	-0.96710	-3.7250	-0.017909
-2.8845	51.559E-6						
1 Displacement	Grid 1	29.25000	27.50000	-3.50000	-0.63198	-3.7250	-0.0041494
-1.4620	26.498E-6						
1 Displacement	Grid 1	30.25000	27.50000	-3.50000	-0.41524	-3.7250	-0.0014909
-0.87799	15.986E-6						
1 Displacement	Grid 1	31.25000	27.50000	-3.50000	-0.26852	-3.7250	-669.02E-6
-0.57753	10.539E-6						
1 Displacement	Grid 1	32.25000	27.50000	-3.50000	-0.16866	-3.7250	-343.46E-6
-0.40291	7.3613E-6						
1 Displacement	Grid 1	33.25000	27.50000	-3.50000	-0.10097	-3.7250	-193.17E-6
-0.29321	5.3612E-6						
1 Displacement	Grid 1	34.25000	27.50000	-3.50000	-0.05539	-3.7250	-116.14E-6
-0.22039	4.0318E-6						
1 Displacement	Grid 1	35.25000	27.50000	-3.50000	-0.02500	-3.7250	-73.509E-6
-0.16999	3.1110E-6						
1 Displacement	Grid 1	36.25000	27.50000	-3.50000	-0.00499	-3.7250	-48.482E-6
-0.13393	2.4519E-6						
1 Displacement	Grid 1	37.25000	27.50000	-3.50000	0.00792	-3.7250	-33.078E-6
-0.10743	1.9672E-6						
1 Displacement	Grid 1	38.25000	27.50000	-3.50000	0.01601	-3.7250	-23.220E-6
-0.087506	1.6026E-6						
1 Displacement	Grid 1	39.25000	27.50000	-3.50000	0.02083	-3.7250	-16.701E-6
-0.072227	1.3229E-6						
1 Displacement	Grid 1	40.25000	27.50000	-3.50000	0.02345	-3.7250	-12.268E-6
-0.060312	1.1048E-6						
1 Displacement	Grid 1	41.25000	27.50000	-3.50000	0.02460	-3.7250	-9.1792E-6
-0.050883	932.19E-9						
1 Displacement	Grid 1	42.25000	27.50000	-3.50000	0.02479	-3.7250	-6.9810E-6
-0.043323	793.75E-9						
1 Displacement	Grid 1	43.25000	27.50000	-3.50000	0.02435	-3.7250	-5.3869E-6
-0.037191	681.43E-9						
1 Displacement	Grid 1	44.25000	27.50000	-3.50000	0.02353	-3.7250	-4.2113E-6
-0.032163	589.35E-9						
1 Displacement	Grid 1	45.25000	27.50000	-3.50000	0.02247	-3.7250	-3.3312E-6
-0.028003	513.14E-9						
1 Displacement	Grid 1	46.25000	27.50000	-3.50000	0.02130	-3.7250	-2.6632E-6
-0.024530	449.53E-9						
1 Displacement	Grid 1	0.25000	28.50000	-3.50000	0.02125	-3.7250	-2.6589E-6
-0.024548	449.86E-9						
1 Displacement	Grid 1	1.25000	28.50000	-3.50000	0.02241	-3.7250	-3.3173E-6
-0.027987	512.85E-9						
1 Displacement	Grid 1	2.25000	28.50000	-3.50000	0.02345	-3.7250	-4.1812E-6
-0.032095	588.09E-9						
1 Displacement	Grid 1	3.25000	28.50000	-3.50000	0.02427	-3.7250	-5.3292E-6
-0.037042	678.70E-9						
1 Displacement	Grid 1	4.25000	28.50000	-3.50000	0.02472	-3.7250	-6.8764E-6
-0.043052	788.78E-9						
1 Displacement	Grid 1	5.25000	28.50000	-3.50000	0.02457	-3.7250	-8.9947E-6
-0.050426	923.81E-9						
1 Displacement	Grid 1	6.25000	28.50000	-3.50000	0.02351	-3.7250	-11.946E-6
-0.059570	1.0912E-6						
1 Displacement	Grid 1	7.25000	28.50000	-3.50000	0.02108	-3.7250	-16.138E-6
-0.071045	1.3013E-6						
1 Displacement	Grid 1	8.25000	28.50000	-3.50000	0.01661	-3.7250	-22.227E-6
-0.085639	1.5684E-6						
1 Displacement	Grid 1	9.25000	28.50000	-3.50000	0.00917	-3.7250	-31.299E-6
-0.10448	1.9132E-6						
1 Displacement	Grid 1	10.25000	28.50000	-3.50000	-0.00262	-3.7250	-45.220E-6
-0.12923	2.3658E-6						
1 Displacement	Grid 1	11.25000	28.50000	-3.50000	-0.02067	-3.7250	-67.345E-6
-0.16238	2.9721E-6						

1 Displacement Grid 1	12.25000	28.50000	-3.50000	-0.04772	-3.7250	-104.02E-6
-0.20786 3.8031E-6						
1 Displacement Grid 1	13.25000	28.50000	-3.50000	-0.08760	-3.7250	-168.12E-6
-0.27201 4.9745E-6						
1 Displacement Grid 1	14.25000	28.50000	-3.50000	-0.14560	-3.7250	-288.00E-6
-0.36576 6.6843E-6						
1 Displacement Grid 1	15.25000	28.50000	-3.50000	-0.22890	-3.7250	-533.72E-6
-0.50914 9.2949E-6						
1 Displacement Grid 1	16.25000	28.50000	-3.50000	-0.34698	-3.7250	-0.0011082
-0.74273 13.535E-6						
1 Displacement Grid 1	17.25000	28.50000	-3.50000	-0.51226	-3.7250	-0.0027547
-1.1608 21.078E-6						
1 Displacement Grid 1	18.25000	28.50000	-3.50000	-0.74314	-3.7250	-0.0094764
-2.0367 36.639E-6						
1 Displacement Grid 1	19.25000	28.50000	-3.50000	-1.08282	-3.7250	-0.065500
-4.5154 77.943E-6						
1 Displacement Grid 1	20.25000	28.50000	-3.50000	-1.56729	-3.7250	-0.71373
-12.775 181.47E-6						
1 Displacement Grid 1	21.25000	28.50000	-3.50000	-1.99748	-3.7250	-0.95254
-17.613 252.53E-6						
1 Displacement Grid 1	22.25000	28.50000	-3.50000	-2.17391	-3.7250	-0.96930
-18.861 274.17E-6						
1 Displacement Grid 1	23.25000	28.50000	-3.50000	-2.25588	-3.7250	-0.97150
-19.151 279.32E-6						
1 Displacement Grid 1	24.25000	28.50000	-3.50000	-2.22897	-3.7250	-0.96929
-18.857 274.08E-6						
1 Displacement Grid 1	25.25000	28.50000	-3.50000	-1.97409	-3.7250	-0.95252
-17.605 252.37E-6						
1 Displacement Grid 1	26.25000	28.50000	-3.50000	-1.63527	-3.7250	-0.71372
-12.763 181.26E-6						
1 Displacement Grid 1	27.25000	28.50000	-3.50000	-1.11146	-3.7250	-0.065484
-4.5027 77.710E-6						
1 Displacement Grid 1	28.25000	28.50000	-3.50000	-0.74941	-3.7250	-0.0094623
-2.0241 36.409E-6						
1 Displacement Grid 1	29.25000	28.50000	-3.50000	-0.51040	-3.7250	-0.0027429
-1.1492 20.865E-6						
1 Displacement Grid 1	30.25000	28.50000	-3.50000	-0.34250	-3.7250	-0.0010989
-0.73251 13.348E-6						
1 Displacement Grid 1	31.25000	28.50000	-3.50000	-0.22406	-3.7250	-526.76E-6
-0.50049 9.1367E-6						
1 Displacement Grid 1	32.25000	28.50000	-3.50000	-0.14128	-3.7250	-282.89E-6
-0.35858 6.5531E-6						
1 Displacement Grid 1	33.25000	28.50000	-3.50000	-0.08407	-3.7250	-164.43E-6
-0.26614 4.8670E-6						
1 Displacement Grid 1	34.25000	28.50000	-3.50000	-0.04499	-3.7250	-101.37E-6
-0.20308 3.7156E-6						
1 Displacement Grid 1	35.25000	28.50000	-3.50000	-0.01863	-3.7250	-65.439E-6
-0.15850 2.9010E-6						
1 Displacement Grid 1	36.25000	28.50000	-3.50000	-0.00116	-3.7250	-43.844E-6
-0.12607 2.3081E-6						
1 Displacement Grid 1	37.25000	28.50000	-3.50000	0.01018	-3.7250	-30.298E-6
-0.10191 1.8661E-6						
1 Displacement Grid 1	38.25000	28.50000	-3.50000	0.01728	-3.7250	-21.493E-6
-0.083531 1.5298E-6						
1 Displacement Grid 1	39.25000	28.50000	-3.50000	0.02148	-3.7250	-15.595E-6
-0.069310 1.2695E-6						
1 Displacement Grid 1	40.25000	28.50000	-3.50000	0.02373	-3.7250	-11.540E-6
-0.058133 1.0649E-6						
1 Displacement Grid 1	41.25000	28.50000	-3.50000	0.02465	-3.7250	-8.6887E-6
-0.049230 901.90E-9						
1 Displacement Grid 1	42.25000	28.50000	-3.50000	0.02471	-3.7250	-6.6435E-6
-0.042050 770.43E-9						
1 Displacement Grid 1	43.25000	28.50000	-3.50000	0.02420	-3.7250	-5.1501E-6
-0.036198 663.25E-9						
1 Displacement Grid 1	44.25000	28.50000	-3.50000	0.02333	-3.7250	-4.0423E-6
-0.031380 575.00E-9						
1 Displacement Grid 1	45.25000	28.50000	-3.50000	0.02227	-3.7250	-3.2087E-6
-0.027378 501.70E-9						
1 Displacement Grid 1	46.25000	28.50000	-3.50000	0.02109	-3.7250	-2.5732E-6
-0.024028 440.31E-9						
1 Displacement Grid 1	0.25000	29.50000	-3.50000	0.02099	-3.7250	-2.5422E-6

-0.023900	437.97E-9						
1 Displacement	Grid 1	1.25000	29.50000	-3.50000	0.02216	-3.7250	-3.1592E-6
-0.027183	498.12E-9						
1 Displacement	Grid 1	2.25000	29.50000	-3.50000	0.02322	-3.7250	-3.9639E-6
-0.031088	569.66E-9						
1 Displacement	Grid 1	3.25000	29.50000	-3.50000	0.02409	-3.7250	-5.0263E-6
-0.035770	655.41E-9						
1 Displacement	Grid 1	4.25000	29.50000	-3.50000	0.02463	-3.7250	-6.4473E-6
-0.041427	759.02E-9						
1 Displacement	Grid 1	5.25000	29.50000	-3.50000	0.02465	-3.7250	-8.3759E-6
-0.048325	885.34E-9						
1 Displacement	Grid 1	6.25000	29.50000	-3.50000	0.02387	-3.7250	-11.036E-6
-0.056818	1.0408E-6						
1 Displacement	Grid 1	7.25000	29.50000	-3.50000	0.02190	-3.7250	-14.771E-6
-0.067387	1.2343E-6						
1 Displacement	Grid 1	8.25000	29.50000	-3.50000	0.01818	-3.7250	-20.121E-6
-0.080697	1.4780E-6						
1 Displacement	Grid 1	9.25000	29.50000	-3.50000	0.01191	-3.7250	-27.965E-6
-0.097684	1.7888E-6						
1 Displacement	Grid 1	10.25000	29.50000	-3.50000	0.00199	-3.7250	-39.771E-6
-0.11969	2.1914E-6						
1 Displacement	Grid 1	11.25000	29.50000	-3.50000	-0.01316	-3.7250	-58.092E-6
-0.14868	2.7215E-6						
1 Displacement	Grid 1	12.25000	29.50000	-3.50000	-0.03566	-3.7250	-87.585E-6
-0.18763	3.4334E-6						
1 Displacement	Grid 1	13.25000	29.50000	-3.50000	-0.06841	-3.7250	-137.22E-6
-0.24117	4.4113E-6						
1 Displacement	Grid 1	14.25000	29.50000	-3.50000	-0.11525	-3.7250	-225.50E-6
-0.31681	5.7914E-6						
1 Displacement	Grid 1	15.25000	29.50000	-3.50000	-0.18105	-3.7250	-394.07E-6
-0.42730	7.8047E-6						
1 Displacement	Grid 1	16.25000	29.50000	-3.50000	-0.27154	-3.7250	-747.47E-6
-0.59563	10.865E-6						
1 Displacement	Grid 1	17.25000	29.50000	-3.50000	-0.39270	-3.7250	-0.0015860
-0.86597	15.759E-6						
1 Displacement	Grid 1	18.25000	29.50000	-3.50000	-0.54908	-3.7250	-0.0039029
-1.3268	24.037E-6						
1 Displacement	Grid 1	19.25000	29.50000	-3.50000	-0.73999	-3.7250	-0.010925
-2.1320	38.279E-6						
1 Displacement	Grid 1	20.25000	29.50000	-3.50000	-0.94749	-3.7250	-0.025689
-3.2907	58.431E-6						
1 Displacement	Grid 1	21.25000	29.50000	-3.50000	-1.13116	-3.7250	-0.036836
-4.2624	75.421E-6						
1 Displacement	Grid 1	22.25000	29.50000	-3.50000	-1.24996	-3.7250	-0.040661
-4.7641	84.337E-6						
1 Displacement	Grid 1	23.25000	29.50000	-3.50000	-1.29071	-3.7250	-0.041499
-4.9099	86.949E-6						
1 Displacement	Grid 1	24.25000	29.50000	-3.50000	-1.25466	-3.7250	-0.040658
-4.7613	84.286E-6						
1 Displacement	Grid 1	25.25000	29.50000	-3.50000	-1.13762	-3.7250	-0.036830
-4.2572	75.326E-6						
1 Displacement	Grid 1	26.25000	29.50000	-3.50000	-0.95864	-3.7250	-0.025682
-3.2837	58.304E-6						
1 Displacement	Grid 1	27.25000	29.50000	-3.50000	-0.74849	-3.7250	-0.010917
-2.1241	38.136E-6						
1 Displacement	Grid 1	28.25000	29.50000	-3.50000	-0.55134	-3.7250	-0.0038955
-1.3188	23.889E-6						
1 Displacement	Grid 1	29.25000	29.50000	-3.50000	-0.39117	-3.7250	-0.0015795
-0.85822	15.617E-6						
1 Displacement	Grid 1	30.25000	29.50000	-3.50000	-0.26846	-3.7250	-742.02E-6
-0.58857	10.736E-6						
1 Displacement	Grid 1	31.25000	29.50000	-3.50000	-0.17768	-3.7250	-389.74E-6
-0.42108	7.6909E-6						
1 Displacement	Grid 1	32.25000	29.50000	-3.50000	-0.11219	-3.7250	-222.16E-6
-0.31146	5.6937E-6						
1 Displacement	Grid 1	33.25000	29.50000	-3.50000	-0.06585	-3.7250	-134.69E-6
-0.23665	4.3286E-6						
1 Displacement	Grid 1	34.25000	29.50000	-3.50000	-0.03364	-3.7250	-85.689E-6
-0.18384	3.3641E-6						
1 Displacement	Grid 1	35.25000	29.50000	-3.50000	-0.01164	-3.7250	-56.678E-6
-0.14553	2.6638E-6						

1 Displacement Grid 1	36.25000	29.50000	-3.50000	0.00308	-3.7250	-38.716E-6
-0.11707 2.1434E-6						
1 Displacement Grid 1	37.25000	29.50000	-3.50000	0.01267	-3.7250	-27.177E-6
-0.095505 1.7489E-6						
1 Displacement Grid 1	38.25000	29.50000	-3.50000	0.01868	-3.7250	-19.529E-6
-0.078882 1.4447E-6						
1 Displacement Grid 1	39.25000	29.50000	-3.50000	0.02220	-3.7250	-14.323E-6
-0.065870 1.2066E-6						
1 Displacement Grid 1	40.25000	29.50000	-3.50000	0.02402	-3.7250	-10.695E-6
-0.055546 1.0176E-6						
1 Displacement Grid 1	41.25000	29.50000	-3.50000	0.02468	-3.7250	-8.1146E-6
-0.047254 865.73E-9						
1 Displacement Grid 1	42.25000	29.50000	-3.50000	0.02459	-3.7250	-6.2455E-6
-0.040522 742.44E-9						
1 Displacement Grid 1	43.25000	29.50000	-3.50000	0.02399	-3.7250	-4.8692E-6
-0.035001 641.32E-9						
1 Displacement Grid 1	44.25000	29.50000	-3.50000	0.02309	-3.7250	-3.8408E-6
-0.030432 557.63E-9						
1 Displacement Grid 1	45.25000	29.50000	-3.50000	0.02201	-3.7250	-3.0619E-6
-0.026620 487.80E-9						
1 Displacement Grid 1	46.25000	29.50000	-3.50000	0.02083	-3.7250	-2.4648E-6
-0.023415 429.09E-9						
1 Displacement Grid 1	0.25000	30.50000	-3.50000	0.02069	-3.7250	-2.4110E-6
-0.023156 424.34E-9						
1 Displacement Grid 1	1.25000	30.50000	-3.50000	0.02185	-3.7250	-2.9824E-6
-0.026264 481.29E-9						
1 Displacement Grid 1	2.25000	30.50000	-3.50000	0.02293	-3.7250	-3.7226E-6
-0.029944 548.71E-9						
1 Displacement Grid 1	3.25000	30.50000	-3.50000	0.02384	-3.7250	-4.6922E-6
-0.034332 629.07E-9						
1 Displacement Grid 1	4.25000	30.50000	-3.50000	0.02448	-3.7250	-5.9780E-6
-0.039601 725.57E-9						
1 Displacement Grid 1	5.25000	30.50000	-3.50000	0.02468	-3.7250	-7.7055E-6
-0.045980 842.39E-9						
1 Displacement Grid 1	6.25000	30.50000	-3.50000	0.02419	-3.7250	-10.061E-6
-0.053769 985.02E-9						
1 Displacement Grid 1	7.25000	30.50000	-3.50000	0.02270	-3.7250	-13.323E-6
-0.063371 1.1608E-6						
1 Displacement Grid 1	8.25000	30.50000	-3.50000	0.01974	-3.7250	-17.924E-6
-0.075329 1.3797E-6						
1 Displacement Grid 1	9.25000	30.50000	-3.50000	0.01466	-3.7250	-24.544E-6
-0.090391 1.6554E-6						
1 Displacement Grid 1	10.25000	30.50000	-3.50000	0.00659	-3.7250	-34.284E-6
-0.10960 2.0068E-6						
1 Displacement Grid 1	11.25000	30.50000	-3.50000	-0.00568	-3.7250	-48.990E-6
-0.13443 2.4609E-6						
1 Displacement Grid 1	12.25000	30.50000	-3.50000	-0.02375	-3.7250	-71.864E-6
-0.16702 3.0567E-6						
1 Displacement Grid 1	13.25000	30.50000	-3.50000	-0.04970	-3.7250	-108.69E-6
-0.21052 3.8516E-6						
1 Displacement Grid 1	14.25000	30.50000	-3.50000	-0.08613	-3.7250	-170.44E-6
-0.26970 4.9319E-6						
1 Displacement Grid 1	15.25000	30.50000	-3.50000	-0.13610	-3.7250	-279.01E-6
-0.35185 6.4299E-6						
1 Displacement Grid 1	16.25000	30.50000	-3.50000	-0.20274	-3.7250	-480.29E-6
-0.46831 8.5501E-6						
1 Displacement Grid 1	17.25000	30.50000	-3.50000	-0.28842	-3.7250	-873.26E-6
-0.63619 11.599E-6						
1 Displacement Grid 1	18.25000	30.50000	-3.50000	-0.39305	-3.7250	-0.0016587
-0.87791 15.972E-6						
1 Displacement Grid 1	19.25000	30.50000	-3.50000	-0.51154	-3.7250	-0.0031127
-1.2074 21.905E-6						
1 Displacement Grid 1	20.25000	30.50000	-3.50000	-0.63168	-3.7250	-0.0051386
-1.5887 28.747E-6						
1 Displacement Grid 1	21.25000	30.50000	-3.50000	-0.73553	-3.7250	-0.0068975
-1.9228 34.741E-6						
1 Displacement Grid 1	22.25000	30.50000	-3.50000	-0.80529	-3.7250	-0.0078584
-2.1322 38.510E-6						
1 Displacement Grid 1	23.25000	30.50000	-3.50000	-0.82999	-3.7250	-0.0081395
-2.2008 39.746E-6						
1 Displacement Grid 1	24.25000	30.50000	-3.50000	-0.80646	-3.7250	-0.0078568



-2.1305	38.479E-6						
1 Displacement	Grid 1	25.25000	30.50000	-3.50000	-0.73758	-3.7250	-0.0068947
-1.9196	34.683E-6						
1 Displacement	Grid 1	26.25000	30.50000	-3.50000	-0.63424	-3.7250	-0.0051349
-1.5844	28.668E-6						
1 Displacement	Grid 1	27.25000	30.50000	-3.50000	-0.51327	-3.7250	-0.0031085
-1.2023	21.813E-6						
1 Displacement	Grid 1	28.25000	30.50000	-3.50000	-0.39297	-3.7250	-0.0016546
-0.87258	15.875E-6						
1 Displacement	Grid 1	29.25000	30.50000	-3.50000	-0.28689	-3.7250	-869.47E-6
-0.63092	11.503E-6						
1 Displacement	Grid 1	30.25000	30.50000	-3.50000	-0.20050	-3.7250	-477.00E-6
-0.46334	8.4593E-6						
1 Displacement	Grid 1	31.25000	30.50000	-3.50000	-0.13374	-3.7250	-276.27E-6
-0.34733	6.3474E-6						
1 Displacement	Grid 1	32.25000	30.50000	-3.50000	-0.08396	-3.7250	-168.24E-6
-0.26570	4.8587E-6						
1 Displacement	Grid 1	33.25000	30.50000	-3.50000	-0.04787	-3.7250	-106.95E-6
-0.20704	3.7879E-6						
1 Displacement	Grid 1	34.25000	30.50000	-3.50000	-0.02229	-3.7250	-70.511E-6
-0.16403	3.0020E-6						
1 Displacement	Grid 1	35.25000	30.50000	-3.50000	-0.00458	-3.7250	-47.947E-6
-0.13188	2.4142E-6						
1 Displacement	Grid 1	36.25000	30.50000	-3.50000	0.00739	-3.7250	-33.482E-6
-0.10743	1.9672E-6						
1 Displacement	Grid 1	37.25000	30.50000	-3.50000	0.01521	-3.7250	-23.928E-6
-0.088558	1.6218E-6						
1 Displacement	Grid 1	38.25000	30.50000	-3.50000	0.02009	-3.7250	-17.451E-6
-0.073777	1.3513E-6						
1 Displacement	Grid 1	39.25000	30.50000	-3.50000	0.02290	-3.7250	-12.958E-6
-0.062055	1.1367E-6						
1 Displacement	Grid 1	40.25000	30.50000	-3.50000	0.02427	-3.7250	-9.7773E-6
-0.052652	964.56E-9						
1 Displacement	Grid 1	41.25000	30.50000	-3.50000	0.02467	-3.7250	-7.4847E-6
-0.045028	824.97E-9						
1 Displacement	Grid 1	42.25000	30.50000	-3.50000	0.02442	-3.7250	-5.8050E-6
-0.038788	710.69E-9						
1 Displacement	Grid 1	43.25000	30.50000	-3.50000	0.02374	-3.7250	-4.5559E-6
-0.033635	616.31E-9						
1 Displacement	Grid 1	44.25000	30.50000	-3.50000	0.02279	-3.7250	-3.6144E-6
-0.029345	537.73E-9						
1 Displacement	Grid 1	45.25000	30.50000	-3.50000	0.02170	-3.7250	-2.8961E-6
-0.025747	471.81E-9						
1 Displacement	Grid 1	46.25000	30.50000	-3.50000	0.02052	-3.7250	-2.3417E-6
-0.022707	416.13E-9						
1 Displacement	Grid 1	0.25000	31.50000	-3.50000	0.02033	-3.7250	-2.2692E-6
-0.022333	409.27E-9						
1 Displacement	Grid 1	1.25000	31.50000	-3.50000	0.02148	-3.7250	-2.7925E-6
-0.025253	462.77E-9						
1 Displacement	Grid 1	2.25000	31.50000	-3.50000	0.02258	-3.7250	-3.4653E-6
-0.028692	525.77E-9						
1 Displacement	Grid 1	3.25000	31.50000	-3.50000	0.02354	-3.7250	-4.3391E-6
-0.032767	600.41E-9						
1 Displacement	Grid 1	4.25000	31.50000	-3.50000	0.02427	-3.7250	-5.4865E-6
-0.037627	689.42E-9						
1 Displacement	Grid 1	5.25000	31.50000	-3.50000	0.02463	-3.7250	-7.0110E-6
-0.043464	796.32E-9						
1 Displacement	Grid 1	6.25000	31.50000	-3.50000	0.02443	-3.7250	-9.0627E-6
-0.050528	925.67E-9						
1 Displacement	Grid 1	7.25000	31.50000	-3.50000	0.02340	-3.7250	-11.863E-6
-0.059144	1.0834E-6						
1 Displacement	Grid 1	8.25000	31.50000	-3.50000	0.02117	-3.7250	-15.743E-6
-0.069746	1.2775E-6						
1 Displacement	Grid 1	9.25000	31.50000	-3.50000	0.01723	-3.7250	-21.212E-6
-0.082909	1.5184E-6						
1 Displacement	Grid 1	10.25000	31.50000	-3.50000	0.01090	-3.7250	-29.062E-6
-0.099412	1.8204E-6						
1 Displacement	Grid 1	11.25000	31.50000	-3.50000	0.00131	-3.7250	-40.562E-6
-0.12032	2.2028E-6						
1 Displacement	Grid 1	12.25000	31.50000	-3.50000	-0.01272	-3.7250	-57.793E-6
-0.14708	2.6923E-6						

1 Displacement Grid 1	13.25000	31.50000	-3.50000	-0.03259	-3.7250	-84.250E-6
-0.18173 3.3255E-6						
1 Displacement Grid 1	14.25000	31.50000	-3.50000	-0.06000	-3.7250	-125.95E-6
-0.22706 4.1534E-6						
1 Displacement Grid 1	15.25000	31.50000	-3.50000	-0.09671	-3.7250	-193.39E-6
-0.28688 5.2452E-6						
1 Displacement Grid 1	16.25000	31.50000	-3.50000	-0.14427	-3.7250	-304.82E-6
-0.36618 6.6909E-6						
1 Displacement Grid 1	17.25000	31.50000	-3.50000	-0.20333	-3.7250	-489.97E-6
-0.47065 8.5923E-6						
1 Displacement Grid 1	18.25000	31.50000	-3.50000	-0.27267	-3.7250	-788.09E-6
-0.60440 11.023E-6						
1 Displacement Grid 1	19.25000	31.50000	-3.50000	-0.34809	-3.7250	-0.0012212
-0.76425 13.921E-6						
1 Displacement Grid 1	20.25000	31.50000	-3.50000	-0.42202	-3.7250	-0.0017352
-0.93229 16.964E-6						
1 Displacement Grid 1	21.25000	31.50000	-3.50000	-0.48472	-3.7250	-0.0021938
-1.0781 19.603E-6						
1 Displacement Grid 1	22.25000	31.50000	-3.50000	-0.52671	-3.7250	-0.0024861
-1.1744 21.347E-6						
1 Displacement Grid 1	23.25000	31.50000	-3.50000	-0.54152	-3.7250	-0.0025827
-1.2073 21.943E-6						
1 Displacement Grid 1	24.25000	31.50000	-3.50000	-0.52690	-3.7250	-0.0024853
-1.1733 21.327E-6						
1 Displacement Grid 1	25.25000	31.50000	-3.50000	-0.48500	-3.7250	-0.0021923
-1.0761 19.566E-6						
1 Displacement Grid 1	26.25000	31.50000	-3.50000	-0.42221	-3.7250	-0.0017331
-0.92948 16.912E-6						
1 Displacement Grid 1	27.25000	31.50000	-3.50000	-0.34786	-3.7250	-0.0012189
-0.76091 13.860E-6						
1 Displacement Grid 1	28.25000	31.50000	-3.50000	-0.27182	-3.7250	-785.72E-6
-0.60080 10.957E-6						
1 Displacement Grid 1	29.25000	31.50000	-3.50000	-0.20194	-3.7250	-487.71E-6
-0.46699 8.5254E-6						
1 Displacement Grid 1	30.25000	31.50000	-3.50000	-0.14261	-3.7250	-302.78E-6
-0.36264 6.6261E-6						
1 Displacement Grid 1	31.25000	31.50000	-3.50000	-0.09503	-3.7250	-191.64E-6
-0.28358 5.1847E-6						
1 Displacement Grid 1	32.25000	31.50000	-3.50000	-0.05847	-3.7250	-124.48E-6
-0.22405 4.0984E-6						
1 Displacement Grid 1	33.25000	31.50000	-3.50000	-0.03131	-3.7250	-83.050E-6
-0.17905 3.2764E-6						
1 Displacement Grid 1	34.25000	31.50000	-3.50000	-0.01169	-3.7250	-56.827E-6
-0.14472 2.6490E-6						
1 Displacement Grid 1	35.25000	31.50000	-3.50000	0.00209	-3.7250	-39.794E-6
-0.11826 2.1652E-6						
1 Displacement Grid 1	36.25000	31.50000	-3.50000	0.01147	-3.7250	-28.455E-6
-0.097633 1.7878E-6						
1 Displacement Grid 1	37.25000	31.50000	-3.50000	0.01761	-3.7250	-20.734E-6
-0.081375 1.4903E-6						
1 Displacement Grid 1	38.25000	31.50000	-3.50000	0.02140	-3.7250	-15.367E-6
-0.068427 1.2534E-6						
1 Displacement Grid 1	39.25000	31.50000	-3.50000	0.02352	-3.7250	-11.567E-6
-0.058010 1.0627E-6						
1 Displacement Grid 1	40.25000	31.50000	-3.50000	0.02446	-3.7250	-8.8290E-6
-0.049552 907.81E-9						
1 Displacement Grid 1	41.25000	31.50000	-3.50000	0.02459	-3.7250	-6.8260E-6
-0.042624 780.94E-9						
1 Displacement Grid 1	42.25000	31.50000	-3.50000	0.02418	-3.7250	-5.3394E-6
-0.036902 676.14E-9						
1 Displacement Grid 1	43.25000	31.50000	-3.50000	0.02342	-3.7250	-4.2217E-6
-0.032140 588.92E-9						
1 Displacement Grid 1	44.25000	31.50000	-3.50000	0.02244	-3.7250	-3.3711E-6
-0.028149 515.81E-9						
1 Displacement Grid 1	45.25000	31.50000	-3.50000	0.02133	-3.7250	-2.7166E-6
-0.024781 454.11E-9						
1 Displacement Grid 1	46.25000	31.50000	-3.50000	0.02017	-3.7250	-2.2077E-6
-0.021921 401.72E-9						
1 Displacement Grid 1	0.25000	32.50000	-3.50000	0.01992	-3.7250	-2.1207E-6
-0.021449 393.07E-9						
1 Displacement Grid 1	1.25000	32.50000	-3.50000	0.02107	-3.7250	-2.5951E-6

-0.024173	442.97E-9						
1 Displacement Grid 1		2.25000	32.50000	-3.50000	0.02217	-3.7250	-3.1999E-6
-0.027361	501.38E-9						
1 Displacement Grid 1		3.25000	32.50000	-3.50000	0.02317	-3.7250	-3.9782E-6
-0.031114	570.14E-9						
1 Displacement Grid 1		4.25000	32.50000	-3.50000	0.02398	-3.7250	-4.9893E-6
-0.035558	651.52E-9						
1 Displacement Grid 1		5.25000	32.50000	-3.50000	0.02450	-3.7250	-6.3166E-6
-0.040849	748.43E-9						
1 Displacement Grid 1		6.25000	32.50000	-3.50000	0.02456	-3.7250	-8.0783E-6
-0.047191	864.57E-9						
1 Displacement Grid 1		7.25000	32.50000	-3.50000	0.02395	-3.7250	-10.444E-6
-0.054841	1.0046E-6						
1 Displacement Grid 1		8.25000	32.50000	-3.50000	0.02238	-3.7250	-13.663E-6
-0.064133	1.1748E-6						
1 Displacement Grid 1		9.25000	32.50000	-3.50000	0.01947	-3.7250	-18.100E-6
-0.075497	1.3828E-6						
1 Displacement Grid 1		10.25000	32.50000	-3.50000	0.01472	-3.7250	-24.306E-6
-0.089497	1.6390E-6						
1 Displacement Grid 1		11.25000	32.50000	-3.50000	0.00748	-3.7250	-33.116E-6
-0.10686	1.9567E-6						
1 Displacement Grid 1		12.25000	32.50000	-3.50000	-0.00305	-3.7250	-45.821E-6
-0.12854	2.3533E-6						
1 Displacement Grid 1		13.25000	32.50000	-3.50000	-0.01780	-3.7250	-64.422E-6
-0.15577	2.8510E-6						
1 Displacement Grid 1		14.25000	32.50000	-3.50000	-0.03779	-3.7250	-92.031E-6
-0.19007	3.4778E-6						
1 Displacement Grid 1		15.25000	32.50000	-3.50000	-0.06401	-3.7250	-133.39E-6
-0.23328	4.2669E-6						
1 Displacement Grid 1		16.25000	32.50000	-3.50000	-0.09711	-3.7250	-195.35E-6
-0.28733	5.2533E-6						
1 Displacement Grid 1		17.25000	32.50000	-3.50000	-0.13704	-3.7250	-286.44E-6
-0.35368	6.4630E-6						
1 Displacement Grid 1		18.25000	32.50000	-3.50000	-0.18251	-3.7250	-413.84E-6
-0.43205	7.8903E-6						
1 Displacement Grid 1		19.25000	32.50000	-3.50000	-0.23055	-3.7250	-575.50E-6
-0.51852	9.4636E-6						
1 Displacement Grid 1		20.25000	32.50000	-3.50000	-0.27656	-3.7250	-751.57E-6
-0.60428	11.023E-6						
1 Displacement Grid 1		21.25000	32.50000	-3.50000	-0.31496	-3.7250	-907.51E-6
-0.67710	12.346E-6						
1 Displacement Grid 1		22.25000	32.50000	-3.50000	-0.34047	-3.7250	-0.0010118
-0.72550	13.226E-6						
1 Displacement Grid 1		23.25000	32.50000	-3.50000	-0.34938	-3.7250	-0.0010477
-0.74217	13.529E-6						
1 Displacement Grid 1		24.25000	32.50000	-3.50000	-0.34036	-3.7250	-0.0010113
-0.72479	13.213E-6						
1 Displacement Grid 1		25.25000	32.50000	-3.50000	-0.31472	-3.7250	-906.66E-6
-0.67575	12.322E-6						
1 Displacement Grid 1		26.25000	32.50000	-3.50000	-0.27614	-3.7250	-750.41E-6
-0.60240	10.988E-6						
1 Displacement Grid 1		27.25000	32.50000	-3.50000	-0.22989	-3.7250	-574.16E-6
-0.51625	9.4221E-6						
1 Displacement Grid 1		28.25000	32.50000	-3.50000	-0.18159	-3.7250	-412.43E-6
-0.42955	7.8445E-6						
1 Displacement Grid 1		29.25000	32.50000	-3.50000	-0.13592	-3.7250	-285.06E-6
-0.35109	6.4156E-6						
1 Displacement Grid 1		30.25000	32.50000	-3.50000	-0.09590	-3.7250	-194.06E-6
-0.28477	5.2064E-6						
1 Displacement Grid 1		31.25000	32.50000	-3.50000	-0.06284	-3.7250	-132.25E-6
-0.23083	4.2220E-6						
1 Displacement Grid 1		32.25000	32.50000	-3.50000	-0.03674	-3.7250	-91.041E-6
-0.18779	3.4360E-6						
1 Displacement Grid 1		33.25000	32.50000	-3.50000	-0.01691	-3.7250	-63.587E-6
-0.15369	2.8129E-6						
1 Displacement Grid 1		34.25000	32.50000	-3.50000	-0.00234	-3.7250	-45.129E-6
-0.12668	2.3191E-6						
1 Displacement Grid 1		35.25000	32.50000	-3.50000	0.00801	-3.7250	-32.551E-6
-0.10520	1.9263E-6						
1 Displacement Grid 1		36.25000	32.50000	-3.50000	0.01510	-3.7250	-23.847E-6
-0.088036	1.6122E-6						

1 Displacement Grid 1	37.25000	32.50000	-3.50000	0.01972	-3.7250	-17.730E-6
-0.074217 1.3593E-6						
1 Displacement Grid 1	38.25000	32.50000	-3.50000	0.02252	-3.7250	-13.366E-6
-0.063015 1.1543E-6						
1 Displacement Grid 1	39.25000	32.50000	-3.50000	0.02400	-3.7250	-10.206E-6
-0.053867 986.81E-9						
1 Displacement Grid 1	40.25000	32.50000	-3.50000	0.02454	-3.7250	-7.8869E-6
-0.046343 849.04E-9						
1 Displacement Grid 1	41.25000	32.50000	-3.50000	0.02443	-3.7250	-6.1626E-6
-0.040111 734.92E-9						
1 Displacement Grid 1	42.25000	32.50000	-3.50000	0.02388	-3.7250	-4.8652E-6
-0.034914 639.74E-9						
1 Displacement Grid 1	43.25000	32.50000	-3.50000	0.02304	-3.7250	-3.8778E-6
-0.030553 559.86E-9						
1 Displacement Grid 1	44.25000	32.50000	-3.50000	0.02203	-3.7250	-3.1185E-6
-0.026871 492.40E-9						
1 Displacement Grid 1	45.25000	32.50000	-3.50000	0.02092	-3.7250	-2.5287E-6
-0.023743 435.10E-9						
1 Displacement Grid 1	46.25000	32.50000	-3.50000	0.01977	-3.7250	-2.0664E-6
-0.021072 386.16E-9						
1 Displacement Grid 1	0.25000	33.50000	-3.50000	0.01948	-3.7250	-1.9690E-6
-0.020520 376.05E-9						
1 Displacement Grid 1	1.25000	33.50000	-3.50000	0.02061	-3.7250	-2.3950E-6
-0.023043 422.28E-9						
1 Displacement Grid 1	2.25000	33.50000	-3.50000	0.02171	-3.7250	-2.9334E-6
-0.025979 476.07E-9						
1 Displacement Grid 1	3.25000	33.50000	-3.50000	0.02274	-3.7250	-3.6192E-6
-0.029411 538.93E-9						
1 Displacement Grid 1	4.25000	33.50000	-3.50000	0.02362	-3.7250	-4.5003E-6
-0.033441 612.75E-9						
1 Displacement Grid 1	5.25000	33.50000	-3.50000	0.02426	-3.7250	-5.6423E-6
-0.038198 699.89E-9						
1 Displacement Grid 1	6.25000	33.50000	-3.50000	0.02455	-3.7250	-7.1361E-6
-0.043842 803.25E-9						
1 Displacement Grid 1	7.25000	33.50000	-3.50000	0.02432	-3.7250	-9.1091E-6
-0.050572 926.49E-9						
1 Displacement Grid 1	8.25000	33.50000	-3.50000	0.02333	-3.7250	-11.741E-6
-0.058639 1.0742E-6						
1 Displacement Grid 1	9.25000	33.50000	-3.50000	0.02132	-3.7250	-15.290E-6
-0.068355 1.2521E-6						
1 Displacement Grid 1	10.25000	33.50000	-3.50000	0.01791	-3.7250	-20.123E-6
-0.080112 1.4672E-6						
1 Displacement Grid 1	11.25000	33.50000	-3.50000	0.01265	-3.7250	-26.773E-6
-0.094395 1.7286E-6						
1 Displacement Grid 1	12.25000	33.50000	-3.50000	0.00501	-3.7250	-36.008E-6
-0.11180 2.0469E-6						
1 Displacement Grid 1	13.25000	33.50000	-3.50000	-0.00560	-3.7250	-48.929E-6
-0.13302 2.4350E-6						
1 Displacement Grid 1	14.25000	33.50000	-3.50000	-0.01979	-3.7250	-67.079E-6
-0.15884 2.9072E-6						
1 Displacement Grid 1	15.25000	33.50000	-3.50000	-0.03805	-3.7250	-92.512E-6
-0.19007 3.4777E-6						
1 Displacement Grid 1	16.25000	33.50000	-3.50000	-0.06060	-3.7250	-127.69E-6
-0.22728 4.1575E-6						
1 Displacement Grid 1	17.25000	33.50000	-3.50000	-0.08717	-3.7250	-174.90E-6
-0.27054 4.9469E-6						
1 Displacement Grid 1	18.25000	33.50000	-3.50000	-0.11668	-3.7250	-234.91E-6
-0.31874 5.8263E-6						
1 Displacement Grid 1	19.25000	33.50000	-3.50000	-0.14717	-3.7250	-304.82E-6
-0.36913 6.7449E-6						
1 Displacement Grid 1	20.25000	33.50000	-3.50000	-0.17584	-3.7250	-376.74E-6
-0.41708 7.6187E-6						
1 Displacement Grid 1	21.25000	33.50000	-3.50000	-0.19944	-3.7250	-439.22E-6
-0.45686 8.3433E-6						
1 Displacement Grid 1	22.25000	33.50000	-3.50000	-0.21499	-3.7250	-481.32E-6
-0.48308 8.8209E-6						
1 Displacement Grid 1	23.25000	33.50000	-3.50000	-0.22037	-3.7250	-496.03E-6
-0.49208 8.9849E-6						
1 Displacement Grid 1	24.25000	33.50000	-3.50000	-0.21483	-3.7250	-481.06E-6
-0.48260 8.8121E-6						
1 Displacement Grid 1	25.25000	33.50000	-3.50000	-0.19913	-3.7250	-438.72E-6

-0.45593	8.3264E-6						
1 Displacement Grid 1	26.25000	33.50000	-3.50000	-0.17536	-3.7250	-376.05E-6	
-0.41578	7.5949E-6						
1 Displacement Grid 1	27.25000	33.50000	-3.50000	-0.14655	-3.7250	-304.01E-6	
-0.36755	6.7159E-6						
1 Displacement Grid 1	28.25000	33.50000	-3.50000	-0.11593	-3.7250	-234.04E-6	
-0.31697	5.7938E-6						
1 Displacement Grid 1	29.25000	33.50000	-3.50000	-0.08633	-3.7250	-174.03E-6	
-0.26867	4.9127E-6						
1 Displacement Grid 1	30.25000	33.50000	-3.50000	-0.05975	-3.7250	-126.86E-6	
-0.22540	4.1229E-6						
1 Displacement Grid 1	31.25000	33.50000	-3.50000	-0.03724	-3.7250	-91.751E-6	
-0.18823	3.4441E-6						
1 Displacement Grid 1	32.25000	33.50000	-3.50000	-0.01907	-3.7250	-66.403E-6	
-0.15710	2.8753E-6						
1 Displacement Grid 1	33.25000	33.50000	-3.50000	-0.00500	-3.7250	-48.343E-6	
-0.13140	2.4054E-6						
1 Displacement Grid 1	34.25000	33.50000	-3.50000	0.00549	-3.7250	-35.510E-6	
-0.11031	2.0198E-6						
1 Displacement Grid 1	35.25000	33.50000	-3.50000	0.01300	-3.7250	-26.355E-6	
-0.093056	1.7041E-6						
1 Displacement Grid 1	36.25000	33.50000	-3.50000	0.01815	-3.7250	-19.776E-6	
-0.078913	1.4453E-6						
1 Displacement Grid 1	37.25000	33.50000	-3.50000	0.02146	-3.7250	-15.005E-6	
-0.067289	1.2325E-6						
1 Displacement Grid 1	38.25000	33.50000	-3.50000	0.02340	-3.7250	-11.508E-6	
-0.057695	1.0569E-6						
1 Displacement Grid 1	39.25000	33.50000	-3.50000	0.02432	-3.7250	-8.9180E-6	
-0.049739	911.23E-9						
1 Displacement Grid 1	40.25000	33.50000	-3.50000	0.02451	-3.7250	-6.9800E-6	
-0.043108	789.81E-9						
1 Displacement Grid 1	41.25000	33.50000	-3.50000	0.02418	-3.7250	-5.5148E-6	
-0.037553	688.06E-9						
1 Displacement Grid 1	42.25000	33.50000	-3.50000	0.02350	-3.7250	-4.3961E-6	
-0.032873	602.34E-9						
1 Displacement Grid 1	43.25000	33.50000	-3.50000	0.02260	-3.7250	-3.5339E-6	
-0.028910	529.76E-9						
1 Displacement Grid 1	44.25000	33.50000	-3.50000	0.02157	-3.7250	-2.8633E-6	
-0.025538	467.99E-9						
1 Displacement Grid 1	45.25000	33.50000	-3.50000	0.02046	-3.7250	-2.3374E-6	
-0.022654	415.16E-9						
1 Displacement Grid 1	46.25000	33.50000	-3.50000	0.01932	-3.7250	-1.9214E-6	
-0.020176	369.75E-9						
1 Displacement Grid 1	0.25000	34.50000	-3.50000	0.01899	-3.7250	-1.8174E-6	
-0.019562	358.51E-9						
1 Displacement Grid 1	1.25000	34.50000	-3.50000	0.02010	-3.7250	-2.1967E-6	
-0.021886	401.08E-9						
1 Displacement Grid 1	2.25000	34.50000	-3.50000	0.02120	-3.7250	-2.6716E-6	
-0.024572	450.29E-9						
1 Displacement Grid 1	3.25000	34.50000	-3.50000	0.02224	-3.7250	-3.2703E-6	
-0.027689	507.39E-9						
1 Displacement Grid 1	4.25000	34.50000	-3.50000	0.02317	-3.7250	-4.0306E-6	
-0.031320	573.89E-9						
1 Displacement Grid 1	5.25000	34.50000	-3.50000	0.02393	-3.7250	-5.0030E-6	
-0.035566	651.67E-9						
1 Displacement Grid 1	6.25000	34.50000	-3.50000	0.02440	-3.7250	-6.2561E-6	
-0.040552	742.99E-9						
1 Displacement Grid 1	7.25000	34.50000	-3.50000	0.02448	-3.7250	-7.8833E-6	
-0.046428	850.60E-9						
1 Displacement Grid 1	8.25000	34.50000	-3.50000	0.02399	-3.7250	-10.012E-6	
-0.053377	977.85E-9						
1 Displacement Grid 1	9.25000	34.50000	-3.50000	0.02272	-3.7250	-12.818E-6	
-0.061621	1.1288E-6						
1 Displacement Grid 1	10.25000	34.50000	-3.50000	0.02041	-3.7250	-16.541E-6	
-0.071423	1.3082E-6						
1 Displacement Grid 1	11.25000	34.50000	-3.50000	0.01676	-3.7250	-21.510E-6	
-0.083092	1.5218E-6						
1 Displacement Grid 1	12.25000	34.50000	-3.50000	0.01143	-3.7250	-28.170E-6	
-0.096981	1.7759E-6						
1 Displacement Grid 1	13.25000	34.50000	-3.50000	0.00403	-3.7250	-37.105E-6	
-0.11347	2.0775E-6						

1 Displacement Grid 1	14.25000	34.50000	-3.50000	-0.00577	-3.7250	-49.055E-6
-0.13292 2.4332E-6						
1 Displacement Grid 1	15.25000	34.50000	-3.50000	-0.01819	-3.7250	-64.877E-6
-0.15561 2.8480E-6						
1 Displacement Grid 1	16.25000	34.50000	-3.50000	-0.03327	-3.7250	-85.402E-6
-0.18160 3.3230E-6						
1 Displacement Grid 1	17.25000	34.50000	-3.50000	-0.05069	-3.7250	-111.12E-6
-0.21053 3.8515E-6						
1 Displacement Grid 1	18.25000	34.50000	-3.50000	-0.06967	-3.7250	-141.63E-6
-0.24141 4.4154E-6						
1 Displacement Grid 1	19.25000	34.50000	-3.50000	-0.08892	-3.7250	-175.13E-6
-0.27243 4.9816E-6						
1 Displacement Grid 1	20.25000	34.50000	-3.50000	-0.10675	-3.7250	-208.15E-6
-0.30103 5.5034E-6						
1 Displacement Grid 1	21.25000	34.50000	-3.50000	-0.12127	-3.7250	-236.21E-6
-0.32424 5.9270E-6						
1 Displacement Grid 1	22.25000	34.50000	-3.50000	-0.13076	-3.7250	-255.00E-6
-0.33937 6.2030E-6						
1 Displacement Grid 1	23.25000	34.50000	-3.50000	-0.13403	-3.7250	-261.55E-6
-0.34452 6.2969E-6						
1 Displacement Grid 1	24.25000	34.50000	-3.50000	-0.13063	-3.7250	-254.84E-6
-0.33904 6.1968E-6						
1 Displacement Grid 1	25.25000	34.50000	-3.50000	-0.12101	-3.7250	-235.91E-6
-0.32360 5.9152E-6						
1 Displacement Grid 1	26.25000	34.50000	-3.50000	-0.10637	-3.7250	-207.73E-6
-0.30011 5.4866E-6						
1 Displacement Grid 1	27.25000	34.50000	-3.50000	-0.08844	-3.7250	-174.63E-6
-0.27130 4.9610E-6						
1 Displacement Grid 1	28.25000	34.50000	-3.50000	-0.06912	-3.7250	-141.08E-6
-0.24013 4.3920E-6						
1 Displacement Grid 1	29.25000	34.50000	-3.50000	-0.05011	-3.7250	-110.55E-6
-0.20916 3.8264E-6						
1 Displacement Grid 1	30.25000	34.50000	-3.50000	-0.03269	-3.7250	-84.853E-6
-0.18019 3.2972E-6						
1 Displacement Grid 1	31.25000	34.50000	-3.50000	-0.01765	-3.7250	-64.362E-6
-0.15421 2.8225E-6						
1 Displacement Grid 1	32.25000	34.50000	-3.50000	-0.00529	-3.7250	-48.587E-6
-0.13157 2.4086E-6						
1 Displacement Grid 1	33.25000	34.50000	-3.50000	0.00442	-3.7250	-36.690E-6
-0.11220 2.0542E-6						
1 Displacement Grid 1	34.25000	34.50000	-3.50000	0.01173	-3.7250	-27.809E-6
-0.095800 1.7543E-6						
1 Displacement Grid 1	35.25000	34.50000	-3.50000	0.01698	-3.7250	-21.201E-6
-0.082008 1.5019E-6						
1 Displacement Grid 1	36.25000	34.50000	-3.50000	0.02055	-3.7250	-16.279E-6
-0.070438 1.2902E-6						
1 Displacement Grid 1	37.25000	34.50000	-3.50000	0.02279	-3.7250	-12.598E-6
-0.060732 1.1125E-6						
1 Displacement Grid 1	38.25000	34.50000	-3.50000	0.02400	-3.7250	-9.8284E-6
-0.052581 963.25E-9						
1 Displacement Grid 1	39.25000	34.50000	-3.50000	0.02444	-3.7250	-7.7305E-6
-0.045716 837.56E-9						
1 Displacement Grid 1	40.25000	34.50000	-3.50000	0.02433	-3.7250	-6.1293E-6
-0.039918 731.38E-9						
1 Displacement Grid 1	41.25000	34.50000	-3.50000	0.02382	-3.7250	-4.8979E-6
-0.035003 641.35E-9						
1 Displacement Grid 1	42.25000	34.50000	-3.50000	0.02305	-3.7250	-3.9435E-6
-0.030819 564.72E-9						
1 Displacement Grid 1	43.25000	34.50000	-3.50000	0.02210	-3.7250	-3.1981E-6
-0.027244 499.24E-9						
1 Displacement Grid 1	44.25000	34.50000	-3.50000	0.02105	-3.7250	-2.6117E-6
-0.024177 443.06E-9						
1 Displacement Grid 1	45.25000	34.50000	-3.50000	0.01995	-3.7250	-2.1468E-6
-0.021535 394.65E-9						
1 Displacement Grid 1	46.25000	34.50000	-3.50000	0.01884	-3.7250	-1.7758E-6
-0.019250 352.79E-9						
1 Displacement Grid 1	0.25000	35.50000	-3.50000	0.01847	-3.7250	-1.6685E-6
-0.018590 340.70E-9						
1 Displacement Grid 1	1.25000	35.50000	-3.50000	0.01955	-3.7250	-2.0036E-6
-0.020719 379.70E-9						
1 Displacement Grid 1	2.25000	35.50000	-3.50000	0.02063	-3.7250	-2.4192E-6

-0.023163	424.47E-9						
1 Displacement Grid 1		3.25000	35.50000	-3.50000	0.02168	-3.7250	-2.9377E-6
-0.025977	476.03E-9						
1 Displacement Grid 1		4.25000	35.50000	-3.50000	0.02265	-3.7250	-3.5881E-6
-0.029228	535.59E-9						
1 Displacement Grid 1		5.25000	35.50000	-3.50000	0.02348	-3.7250	-4.4089E-6
-0.032996	604.60E-9						
1 Displacement Grid 1		6.25000	35.50000	-3.50000	0.02411	-3.7250	-5.4509E-6
-0.037374	684.78E-9						
1 Displacement Grid 1		7.25000	35.50000	-3.50000	0.02444	-3.7250	-6.7811E-6
-0.042473	778.17E-9						
1 Displacement Grid 1		8.25000	35.50000	-3.50000	0.02434	-3.7250	-8.4880E-6
-0.048424	887.14E-9						
1 Displacement Grid 1		9.25000	35.50000	-3.50000	0.02367	-3.7250	-10.689E-6
-0.055379	1.0145E-6						
1 Displacement Grid 1		10.25000	35.50000	-3.50000	0.02224	-3.7250	-13.536E-6
-0.063509	1.1633E-6						
1 Displacement Grid 1		11.25000	35.50000	-3.50000	0.01986	-3.7250	-17.228E-6
-0.073005	1.3372E-6						
1 Displacement Grid 1		12.25000	35.50000	-3.50000	0.01629	-3.7250	-22.015E-6
-0.084064	1.5395E-6						
1 Displacement Grid 1		13.25000	35.50000	-3.50000	0.01131	-3.7250	-28.199E-6
-0.096872	1.7739E-6						
1 Displacement Grid 1		14.25000	35.50000	-3.50000	0.00474	-3.7250	-36.123E-6
-0.11157	2.0428E-6						
1 Displacement Grid 1		15.25000	35.50000	-3.50000	-0.00351	-3.7250	-46.126E-6
-0.12820	2.3470E-6						
1 Displacement Grid 1		16.25000	35.50000	-3.50000	-0.01340	-3.7250	-58.448E-6
-0.14664	2.6841E-6						
1 Displacement Grid 1		17.25000	35.50000	-3.50000	-0.02465	-3.7250	-73.083E-6
-0.16647	3.0466E-6						
1 Displacement Grid 1		18.25000	35.50000	-3.50000	-0.03673	-3.7250	-89.583E-6
-0.18693	3.4205E-6						
1 Displacement Grid 1		19.25000	35.50000	-3.50000	-0.04881	-3.7250	-106.90E-6
-0.20687	3.7847E-6						
1 Displacement Grid 1		20.25000	35.50000	-3.50000	-0.05987	-3.7250	-123.41E-6
-0.22479	4.1119E-6						
1 Displacement Grid 1		21.25000	35.50000	-3.50000	-0.06879	-3.7250	-137.14E-6
-0.23907	4.3728E-6						
1 Displacement Grid 1		22.25000	35.50000	-3.50000	-0.07458	-3.7250	-146.23E-6
-0.24826	4.5407E-6						
1 Displacement Grid 1		23.25000	35.50000	-3.50000	-0.07656	-3.7250	-149.38E-6
-0.25137	4.5974E-6						
1 Displacement Grid 1		24.25000	35.50000	-3.50000	-0.07448	-3.7250	-146.13E-6
-0.24803	4.5363E-6						
1 Displacement Grid 1		25.25000	35.50000	-3.50000	-0.06859	-3.7250	-136.95E-6
-0.23860	4.3643E-6						
1 Displacement Grid 1		26.25000	35.50000	-3.50000	-0.05959	-3.7250	-123.15E-6
-0.22412	4.0998E-6						
1 Displacement Grid 1		27.25000	35.50000	-3.50000	-0.04848	-3.7250	-106.58E-6
-0.20605	3.7696E-6						
1 Displacement Grid 1		28.25000	35.50000	-3.50000	-0.03636	-3.7250	-89.226E-6
-0.18599	3.4032E-6						
1 Displacement Grid 1		29.25000	35.50000	-3.50000	-0.02426	-3.7250	-72.711E-6
-0.16545	3.0279E-6						
1 Displacement Grid 1		30.25000	35.50000	-3.50000	-0.01302	-3.7250	-58.078E-6
-0.14558	2.6646E-6						
1 Displacement Grid 1		31.25000	35.50000	-3.50000	-0.00316	-3.7250	-45.772E-6
-0.12714	2.3275E-6						
1 Displacement Grid 1		32.25000	35.50000	-3.50000	0.00504	-3.7250	-35.796E-6
-0.11053	2.0237E-6						
1 Displacement Grid 1		33.25000	35.50000	-3.50000	0.01155	-3.7250	-27.902E-6
-0.095870	1.7556E-6						
1 Displacement Grid 1		34.25000	35.50000	-3.50000	0.01647	-3.7250	-21.751E-6
-0.083119	1.5222E-6						
1 Displacement Grid 1		35.25000	35.50000	-3.50000	0.01998	-3.7250	-16.998E-6
-0.072125	1.3210E-6						
1 Displacement Grid 1		36.25000	35.50000	-3.50000	0.02231	-3.7250	-13.337E-6
-0.062699	1.1485E-6						
1 Displacement Grid 1		37.25000	35.50000	-3.50000	0.02368	-3.7250	-10.518E-6
-0.054638	1.0009E-6						

1 Displacement Grid 1	38.25000	35.50000	-3.50000	0.02431	-3.7250	-8.3434E-6
-0.047752 874.83E-9						
1 Displacement Grid 1	39.25000	35.50000	-3.50000	0.02437	-3.7250	-6.6589E-6
-0.041866 767.04E-9						
1 Displacement Grid 1	40.25000	35.50000	-3.50000	0.02402	-3.7250	-5.3481E-6
-0.036827 674.77E-9						
1 Displacement Grid 1	41.25000	35.50000	-3.50000	0.02337	-3.7250	-4.3225E-6
-0.032505 595.61E-9						
1 Displacement Grid 1	42.25000	35.50000	-3.50000	0.02252	-3.7250	-3.5156E-6
-0.028789 527.53E-9						
1 Displacement Grid 1	43.25000	35.50000	-3.50000	0.02154	-3.7250	-2.8768E-6
-0.025583 468.81E-9						
1 Displacement Grid 1	44.25000	35.50000	-3.50000	0.02049	-3.7250	-2.3682E-6
-0.022810 418.01E-9						
1 Displacement Grid 1	45.25000	35.50000	-3.50000	0.01941	-3.7250	-1.9607E-6
-0.020403 373.92E-9						
1 Displacement Grid 1	46.25000	35.50000	-3.50000	0.01832	-3.7250	-1.6324E-6
-0.018308 335.52E-9						
1 Displacement Grid 1	0.25000	36.50000	-3.50000	0.01792	-3.7250	-1.5246E-6
-0.017617 322.87E-9						
1 Displacement Grid 1	1.25000	36.50000	-3.50000	0.01897	-3.7250	-1.8187E-6
-0.019558 358.42E-9						
1 Displacement Grid 1	2.25000	36.50000	-3.50000	0.02003	-3.7250	-2.1799E-6
-0.021770 398.95E-9						
1 Displacement Grid 1	3.25000	36.50000	-3.50000	0.02106	-3.7250	-2.6256E-6
-0.024299 445.28E-9						
1 Displacement Grid 1	4.25000	36.50000	-3.50000	0.02205	-3.7250	-3.1780E-6
-0.027196 498.36E-9						
1 Displacement Grid 1	5.25000	36.50000	-3.50000	0.02294	-3.7250	-3.8660E-6
-0.030522 559.28E-9						
1 Displacement Grid 1	6.25000	36.50000	-3.50000	0.02368	-3.7250	-4.7263E-6
-0.034346 629.33E-9						
1 Displacement Grid 1	7.25000	36.50000	-3.50000	0.02420	-3.7250	-5.8062E-6
-0.038750 709.99E-9						
1 Displacement Grid 1	8.25000	36.50000	-3.50000	0.02441	-3.7250	-7.1660E-6
-0.043824 802.91E-9						
1 Displacement Grid 1	9.25000	36.50000	-3.50000	0.02420	-3.7250	-8.8823E-6
-0.049669 909.95E-9						
1 Displacement Grid 1	10.25000	36.50000	-3.50000	0.02345	-3.7250	-11.051E-6
-0.056393 1.0331E-6						
1 Displacement Grid 1	11.25000	36.50000	-3.50000	0.02202	-3.7250	-13.787E-6
-0.064107 1.1743E-6						
1 Displacement Grid 1	12.25000	36.50000	-3.50000	0.01977	-3.7250	-17.230E-6
-0.072912 1.3354E-6						
1 Displacement Grid 1	13.25000	36.50000	-3.50000	0.01657	-3.7250	-21.531E-6
-0.082886 1.5180E-6						
1 Displacement Grid 1	14.25000	36.50000	-3.50000	0.01232	-3.7250	-26.840E-6
-0.094059 1.7224E-6						
1 Displacement Grid 1	15.25000	36.50000	-3.50000	0.00699	-3.7250	-33.278E-6
-0.10638 1.9478E-6						
1 Displacement Grid 1	16.25000	36.50000	-3.50000	0.00065	-3.7250	-40.881E-6
-0.11966 2.1907E-6						
1 Displacement Grid 1	17.25000	36.50000	-3.50000	-0.00650	-3.7250	-49.538E-6
-0.13356 2.4449E-6						
1 Displacement Grid 1	18.25000	36.50000	-3.50000	-0.01409	-3.7250	-58.916E-6
-0.14751 2.7001E-6						
1 Displacement Grid 1	19.25000	36.50000	-3.50000	-0.02160	-3.7250	-68.422E-6
-0.16078 2.9426E-6						
1 Displacement Grid 1	20.25000	36.50000	-3.50000	-0.02841	-3.7250	-77.235E-6
-0.17247 3.1562E-6						
1 Displacement Grid 1	21.25000	36.50000	-3.50000	-0.03387	-3.7250	-84.423E-6
-0.18164 3.3238E-6						
1 Displacement Grid 1	22.25000	36.50000	-3.50000	-0.03739	-3.7250	-89.128E-6
-0.18748 3.4306E-6						
1 Displacement Grid 1	23.25000	36.50000	-3.50000	-0.03859	-3.7250	-90.747E-6
-0.18944 3.4663E-6						
1 Displacement Grid 1	24.25000	36.50000	-3.50000	-0.03732	-3.7250	-89.065E-6
-0.18731 3.4274E-6						
1 Displacement Grid 1	25.25000	36.50000	-3.50000	-0.03374	-3.7250	-84.301E-6
-0.18130 3.3176E-6						
1 Displacement Grid 1	26.25000	36.50000	-3.50000	-0.02823	-3.7250	-77.062E-6



-0.17198	3.1473E-6						
1 Displacement Grid 1	27.25000	36.50000	-3.50000	-0.02138	-3.7250	-68.210E-6	
-0.16017	2.9315E-6						
1 Displacement Grid 1	28.25000	36.50000	-3.50000	-0.01384	-3.7250	-58.678E-6	
-0.14681	2.6872E-6						
1 Displacement Grid 1	29.25000	36.50000	-3.50000	-0.00625	-3.7250	-49.287E-6	
-0.13278	2.4307E-6						
1 Displacement Grid 1	30.25000	36.50000	-3.50000	0.00089	-3.7250	-40.628E-6	
-0.11885	2.1759E-6						
1 Displacement Grid 1	31.25000	36.50000	-3.50000	0.00721	-3.7250	-33.032E-6	
-0.10555	1.9327E-6						
1 Displacement Grid 1	32.25000	36.50000	-3.50000	0.01250	-3.7250	-26.608E-6	
-0.093241	1.7074E-6						
1 Displacement Grid 1	33.25000	36.50000	-3.50000	0.01671	-3.7250	-21.316E-6	
-0.082090	1.5034E-6						
1 Displacement Grid 1	34.25000	36.50000	-3.50000	0.01986	-3.7250	-17.036E-6	
-0.072151	1.3215E-6						
1 Displacement Grid 1	35.25000	36.50000	-3.50000	0.02207	-3.7250	-13.615E-6	
-0.063390	1.1611E-6						
1 Displacement Grid 1	36.25000	36.50000	-3.50000	0.02346	-3.7250	-10.899E-6	
-0.055725	1.0208E-6						
1 Displacement Grid 1	37.25000	36.50000	-3.50000	0.02417	-3.7250	-8.7505E-6	
-0.049051	898.62E-9						
1 Displacement Grid 1	38.25000	36.50000	-3.50000	0.02435	-3.7250	-7.0523E-6	
-0.043257	792.52E-9						
1 Displacement Grid 1	39.25000	36.50000	-3.50000	0.02412	-3.7250	-5.7086E-6	
-0.038232	700.50E-9						
1 Displacement Grid 1	40.25000	36.50000	-3.50000	0.02358	-3.7250	-4.6429E-6	
-0.033876	620.71E-9						
1 Displacement Grid 1	41.25000	36.50000	-3.50000	0.02283	-3.7250	-3.7951E-6	
-0.030095	551.46E-9						
1 Displacement Grid 1	42.25000	36.50000	-3.50000	0.02192	-3.7250	-3.1178E-6	
-0.026810	491.29E-9						
1 Displacement Grid 1	43.25000	36.50000	-3.50000	0.02093	-3.7250	-2.5744E-6	
-0.023950	438.90E-9						
1 Displacement Grid 1	44.25000	36.50000	-3.50000	0.01989	-3.7250	-2.1365E-6	
-0.021456	393.20E-9						
1 Displacement Grid 1	45.25000	36.50000	-3.50000	0.01883	-3.7250	-1.7819E-6	
-0.019274	353.23E-9						
1 Displacement Grid 1	46.25000	36.50000	-3.50000	0.01778	-3.7250	-1.4933E-6	
-0.017362	318.20E-9						
1 Displacement Grid 1	0.25000	37.50000	-3.50000	0.01734	-3.7250	-1.3873E-6	
-0.016654	305.22E-9						
1 Displacement Grid 1	1.25000	37.50000	-3.50000	0.01835	-3.7250	-1.6439E-6	
-0.018415	337.49E-9						
1 Displacement Grid 1	2.25000	37.50000	-3.50000	0.01938	-3.7250	-1.9559E-6	
-0.020410	374.04E-9						
1 Displacement Grid 1	3.25000	37.50000	-3.50000	0.02040	-3.7250	-2.3368E-6	
-0.022673	415.49E-9						
1 Displacement Grid 1	4.25000	37.50000	-3.50000	0.02139	-3.7250	-2.8033E-6	
-0.025243	462.58E-9						
1 Displacement Grid 1	5.25000	37.50000	-3.50000	0.02231	-3.7250	-3.3765E-6	
-0.028167	516.15E-9						
1 Displacement Grid 1	6.25000	37.50000	-3.50000	0.02313	-3.7250	-4.0829E-6	
-0.031496	577.12E-9						
1 Displacement Grid 1	7.25000	37.50000	-3.50000	0.02379	-3.7250	-4.9552E-6	
-0.035286	646.54E-9						
1 Displacement Grid 1	8.25000	37.50000	-3.50000	0.02422	-3.7250	-6.0339E-6	
-0.039599	725.53E-9						
1 Displacement Grid 1	9.25000	37.50000	-3.50000	0.02436	-3.7250	-7.3681E-6	
-0.044500	815.28E-9						
1 Displacement Grid 1	10.25000	37.50000	-3.50000	0.02411	-3.7250	-9.0164E-6	
-0.050053	916.97E-9						
1 Displacement Grid 1	11.25000	37.50000	-3.50000	0.02338	-3.7250	-11.046E-6	
-0.056318	1.0317E-6						
1 Displacement Grid 1	12.25000	37.50000	-3.50000	0.02210	-3.7250	-13.530E-6	
-0.063341	1.1602E-6						
1 Displacement Grid 1	13.25000	37.50000	-3.50000	0.02017	-3.7250	-16.542E-6	
-0.071140	1.3030E-6						
1 Displacement Grid 1	14.25000	37.50000	-3.50000	0.01755	-3.7250	-20.142E-6	
-0.079694	1.4596E-6						

1 Displacement Grid 1	15.25000	37.50000	-3.50000	0.01423	-3.7250	-24.362E-6
-0.088915 1.6283E-6						
1 Displacement Grid 1	16.25000	37.50000	-3.50000	0.01028	-3.7250	-29.177E-6
-0.098631 1.8061E-6						
1 Displacement Grid 1	17.25000	37.50000	-3.50000	0.00584	-3.7250	-34.473E-6
-0.10857 1.9878E-6						
1 Displacement Grid 1	18.25000	37.50000	-3.50000	0.00116	-3.7250	-40.029E-6
-0.11833 2.1664E-6						
1 Displacement Grid 1	19.25000	37.50000	-3.50000	-0.00345	-3.7250	-45.505E-6
-0.12743 2.3328E-6						
1 Displacement Grid 1	20.25000	37.50000	-3.50000	-0.00760	-3.7250	-50.468E-6
-0.13531 2.4769E-6						
1 Displacement Grid 1	21.25000	37.50000	-3.50000	-0.01090	-3.7250	-54.448E-6
-0.14141 2.5885E-6						
1 Displacement Grid 1	22.25000	37.50000	-3.50000	-0.01303	-3.7250	-57.024E-6
-0.14526 2.6590E-6						
1 Displacement Grid 1	23.25000	37.50000	-3.50000	-0.01376	-3.7250	-57.903E-6
-0.14654 2.6823E-6						
1 Displacement Grid 1	24.25000	37.50000	-3.50000	-0.01299	-3.7250	-56.982E-6
-0.14513 2.6566E-6						
1 Displacement Grid 1	25.25000	37.50000	-3.50000	-0.01082	-3.7250	-54.367E-6
-0.14116 2.5839E-6						
1 Displacement Grid 1	26.25000	37.50000	-3.50000	-0.00748	-3.7250	-50.353E-6
-0.13494 2.4703E-6						
1 Displacement Grid 1	27.25000	37.50000	-3.50000	-0.00331	-3.7250	-45.363E-6
-0.12697 2.3244E-6						
1 Displacement Grid 1	28.25000	37.50000	-3.50000	0.00131	-3.7250	-39.868E-6
-0.11779 2.1566E-6						
1 Displacement Grid 1	29.25000	37.50000	-3.50000	0.00599	-3.7250	-34.301E-6
-0.10798 1.9770E-6						
1 Displacement Grid 1	30.25000	37.50000	-3.50000	0.01042	-3.7250	-29.000E-6
-0.098004 1.7946E-6						
1 Displacement Grid 1	31.25000	37.50000	-3.50000	0.01435	-3.7250	-24.188E-6
-0.088270 1.6165E-6						
1 Displacement Grid 1	32.25000	37.50000	-3.50000	0.01764	-3.7250	-19.975E-6
-0.079047 1.4477E-6						
1 Displacement Grid 1	33.25000	37.50000	-3.50000	0.02023	-3.7250	-16.385E-6
-0.070504 1.2914E-6						
1 Displacement Grid 1	34.25000	37.50000	-3.50000	0.02213	-3.7250	-13.386E-6
-0.062726 1.1490E-6						
1 Displacement Grid 1	35.25000	37.50000	-3.50000	0.02338	-3.7250	-10.916E-6
-0.055731 1.0209E-6						
1 Displacement Grid 1	36.25000	37.50000	-3.50000	0.02408	-3.7250	-8.9004E-6
-0.049500 906.84E-9						
1 Displacement Grid 1	37.25000	37.50000	-3.50000	0.02430	-3.7250	-7.2657E-6
-0.043983 805.81E-9						
1 Displacement Grid 1	38.25000	37.50000	-3.50000	0.02414	-3.7250	-5.9442E-6
-0.039120 716.75E-9						
1 Displacement Grid 1	39.25000	37.50000	-3.50000	0.02369	-3.7250	-4.8772E-6
-0.034844 638.45E-9						
1 Displacement Grid 1	40.25000	37.50000	-3.50000	0.02302	-3.7250	-4.0154E-6
-0.031090 569.69E-9						
1 Displacement Grid 1	41.25000	37.50000	-3.50000	0.02220	-3.7250	-3.3183E-6
-0.027797 509.36E-9						
1 Displacement Grid 1	42.25000	37.50000	-3.50000	0.02127	-3.7250	-2.7533E-6
-0.024905 456.39E-9						
1 Displacement Grid 1	43.25000	37.50000	-3.50000	0.02027	-3.7250	-2.2939E-6
-0.022365 409.86E-9						
1 Displacement Grid 1	44.25000	37.50000	-3.50000	0.01925	-3.7250	-1.9192E-6
-0.020131 368.92E-9						
1 Displacement Grid 1	45.25000	37.50000	-3.50000	0.01822	-3.7250	-1.6124E-6
-0.018162 332.85E-9						
1 Displacement Grid 1	46.25000	37.50000	-3.50000	0.01721	-3.7250	-1.3603E-6
-0.016424 301.01E-9						
1 Displacement Grid 1	0.25000	38.50000	-3.50000	0.01674	-3.7250	-1.2579E-6
-0.015710 287.92E-9						
1 Displacement Grid 1	1.25000	38.50000	-3.50000	0.01772	-3.7250	-1.4806E-6
-0.017303 317.11E-9						
1 Displacement Grid 1	2.25000	38.50000	-3.50000	0.01871	-3.7250	-1.7488E-6
-0.019095 349.94E-9						
1 Displacement Grid 1	3.25000	38.50000	-3.50000	0.01970	-3.7250	-2.0726E-6

-0.021112	386.90E-9						
1 Displacement Grid 1		4.25000	38.50000	-3.50000	0.02068	-3.7250	-2.4646E-6
-0.023386	428.55E-9						
1 Displacement Grid 1		5.25000	38.50000	-3.50000	0.02161	-3.7250	-2.9401E-6
-0.025948	475.50E-9						
1 Displacement Grid 1		6.25000	38.50000	-3.50000	0.02247	-3.7250	-3.5177E-6
-0.028837	528.42E-9						
1 Displacement Grid 1		7.25000	38.50000	-3.50000	0.02322	-3.7250	-4.2199E-6
-0.032091	588.02E-9						
1 Displacement Grid 1		8.25000	38.50000	-3.50000	0.02381	-3.7250	-5.0734E-6
-0.035750	655.04E-9						
1 Displacement Grid 1		9.25000	38.50000	-3.50000	0.02419	-3.7250	-6.1093E-6
-0.039854	730.21E-9						
1 Displacement Grid 1		10.25000	38.50000	-3.50000	0.02430	-3.7250	-7.3625E-6
-0.044440	814.20E-9						
1 Displacement Grid 1		11.25000	38.50000	-3.50000	0.02409	-3.7250	-8.8710E-6
-0.049536	907.50E-9						
1 Displacement Grid 1		12.25000	38.50000	-3.50000	0.02348	-3.7250	-10.672E-6
-0.055154	1.0104E-6						
1 Displacement Grid 1		13.25000	38.50000	-3.50000	0.02244	-3.7250	-12.800E-6
-0.061284	1.1226E-6						
1 Displacement Grid 1		14.25000	38.50000	-3.50000	0.02094	-3.7250	-15.273E-6
-0.067883	1.2434E-6						
1 Displacement Grid 1		15.25000	38.50000	-3.50000	0.01899	-3.7250	-18.090E-6
-0.074862	1.3711E-6						
1 Displacement Grid 1		16.25000	38.50000	-3.50000	0.01663	-3.7250	-21.211E-6
-0.082073	1.5031E-6						
1 Displacement Grid 1		17.25000	38.50000	-3.50000	0.01397	-3.7250	-24.549E-6
-0.089307	1.6355E-6						
1 Displacement Grid 1		18.25000	38.50000	-3.50000	0.01116	-3.7250	-27.960E-6
-0.096288	1.7632E-6						
1 Displacement Grid 1		19.25000	38.50000	-3.50000	0.00840	-3.7250	-31.245E-6
-0.10269	1.8803E-6						
1 Displacement Grid 1		20.25000	38.50000	-3.50000	0.00591	-3.7250	-34.166E-6
-0.10816	1.9803E-6						
1 Displacement Grid 1		21.25000	38.50000	-3.50000	0.00394	-3.7250	-36.475E-6
-0.11234	2.0569E-6						
1 Displacement Grid 1		22.25000	38.50000	-3.50000	0.00267	-3.7250	-37.955E-6
-0.11497	2.1049E-6						
1 Displacement Grid 1		23.25000	38.50000	-3.50000	0.00224	-3.7250	-38.456E-6
-0.11583	2.1207E-6						
1 Displacement Grid 1		24.25000	38.50000	-3.50000	0.00270	-3.7250	-37.927E-6
-0.11487	2.1031E-6						
1 Displacement Grid 1		25.25000	38.50000	-3.50000	0.00399	-3.7250	-36.421E-6
-0.11215	2.0535E-6						
1 Displacement Grid 1		26.25000	38.50000	-3.50000	0.00598	-3.7250	-34.088E-6
-0.10788	1.9753E-6						
1 Displacement Grid 1		27.25000	38.50000	-3.50000	0.00847	-3.7250	-31.148E-6
-0.10234	1.8739E-6						
1 Displacement Grid 1		28.25000	38.50000	-3.50000	0.01124	-3.7250	-27.849E-6
-0.095877	1.7557E-6						
1 Displacement Grid 1		29.25000	38.50000	-3.50000	0.01405	-3.7250	-24.429E-6
-0.088849	1.6271E-6						
1 Displacement Grid 1		30.25000	38.50000	-3.50000	0.01670	-3.7250	-21.086E-6
-0.081583	1.4941E-6						
1 Displacement Grid 1		31.25000	38.50000	-3.50000	0.01904	-3.7250	-17.965E-6
-0.074353	1.3618E-6						
1 Displacement Grid 1		32.25000	38.50000	-3.50000	0.02098	-3.7250	-15.152E-6
-0.067368	1.2340E-6						
1 Displacement Grid 1		33.25000	38.50000	-3.50000	0.02245	-3.7250	-12.685E-6
-0.060772	1.1132E-6						
1 Displacement Grid 1		34.25000	38.50000	-3.50000	0.02347	-3.7250	-10.565E-6
-0.054653	1.0012E-6						
1 Displacement Grid 1		35.25000	38.50000	-3.50000	0.02405	-3.7250	-8.7725E-6
-0.049054	898.67E-9						
1 Displacement Grid 1		36.25000	38.50000	-3.50000	0.02425	-3.7250	-7.2733E-6
-0.043981	805.79E-9						
1 Displacement Grid 1		37.25000	38.50000	-3.50000	0.02412	-3.7250	-6.0294E-6
-0.039421	722.28E-9						
1 Displacement Grid 1		38.25000	38.50000	-3.50000	0.02373	-3.7250	-5.0026E-6
-0.035344	647.61E-9						

1 Displacement Grid 1	39.25000	38.50000	-3.50000	0.02312	-3.7250	-4.1575E-6
-0.031713 581.10E-9						
1 Displacement Grid 1	40.25000	38.50000	-3.50000	0.02236	-3.7250	-3.4630E-6
-0.028488 522.02E-9						
1 Displacement Grid 1	41.25000	38.50000	-3.50000	0.02150	-3.7250	-2.8924E-6
-0.025626 469.60E-9						
1 Displacement Grid 1	42.25000	38.50000	-3.50000	0.02056	-3.7250	-2.4232E-6
-0.023090 423.13E-9						
1 Displacement Grid 1	43.25000	38.50000	-3.50000	0.01958	-3.7250	-2.0367E-6
-0.020841 381.94E-9						
1 Displacement Grid 1	44.25000	38.50000	-3.50000	0.01858	-3.7250	-1.7177E-6
-0.018847 345.40E-9						
1 Displacement Grid 1	45.25000	38.50000	-3.50000	0.01759	-3.7250	-1.4537E-6
-0.017076 312.96E-9						
1 Displacement Grid 1	46.25000	38.50000	-3.50000	0.01662	-3.7250	-1.2347E-6
-0.015503 284.13E-9						
1 Displacement Grid 1	0.25000	39.50000	-3.50000	0.01613	-3.7250	-1.1370E-6
-0.014792 271.11E-9						
1 Displacement Grid 1	1.25000	39.50000	-3.50000	0.01706	-3.7250	-1.3295E-6
-0.016229 297.43E-9						
1 Displacement Grid 1	2.25000	39.50000	-3.50000	0.01801	-3.7250	-1.5591E-6
-0.017834 326.84E-9						
1 Displacement Grid 1	3.25000	39.50000	-3.50000	0.01897	-3.7250	-1.8333E-6
-0.019628 359.70E-9						
1 Displacement Grid 1	4.25000	39.50000	-3.50000	0.01993	-3.7250	-2.1615E-6
-0.021633 396.44E-9						
1 Displacement Grid 1	5.25000	39.50000	-3.50000	0.02085	-3.7250	-2.5546E-6
-0.023873 437.49E-9						
1 Displacement Grid 1	6.25000	39.50000	-3.50000	0.02173	-3.7250	-3.0256E-6
-0.026375 483.32E-9						
1 Displacement Grid 1	7.25000	39.50000	-3.50000	0.02254	-3.7250	-3.5897E-6
-0.029164 534.42E-9						
1 Displacement Grid 1	8.25000	39.50000	-3.50000	0.02323	-3.7250	-4.2643E-6
-0.032266 591.23E-9						
1 Displacement Grid 1	9.25000	39.50000	-3.50000	0.02377	-3.7250	-5.0685E-6
-0.035704 654.19E-9						
1 Displacement Grid 1	10.25000	39.50000	-3.50000	0.02413	-3.7250	-6.0231E-6
-0.039495 723.62E-9						
1 Displacement Grid 1	11.25000	39.50000	-3.50000	0.02426	-3.7250	-7.1486E-6
-0.043648 799.69E-9						
1 Displacement Grid 1	12.25000	39.50000	-3.50000	0.02412	-3.7250	-8.4634E-6
-0.048160 882.31E-9						
1 Displacement Grid 1	13.25000	39.50000	-3.50000	0.02369	-3.7250	-9.9803E-6
-0.053007 971.05E-9						
1 Displacement Grid 1	14.25000	39.50000	-3.50000	0.02295	-3.7250	-11.702E-6
-0.058140 1.0650E-6						
1 Displacement Grid 1	15.25000	39.50000	-3.50000	0.02191	-3.7250	-13.614E-6
-0.063478 1.1628E-6						
1 Displacement Grid 1	16.25000	39.50000	-3.50000	0.02060	-3.7250	-15.682E-6
-0.068904 1.2621E-6						
1 Displacement Grid 1	17.25000	39.50000	-3.50000	0.01909	-3.7250	-17.842E-6
-0.074259 1.3601E-6						
1 Displacement Grid 1	18.25000	39.50000	-3.50000	0.01747	-3.7250	-20.002E-6
-0.079349 1.4533E-6						
1 Displacement Grid 1	19.25000	39.50000	-3.50000	0.01588	-3.7250	-22.043E-6
-0.083953 1.5375E-6						
1 Displacement Grid 1	20.25000	39.50000	-3.50000	0.01444	-3.7250	-23.828E-6
-0.087841 1.6086E-6						
1 Displacement Grid 1	21.25000	39.50000	-3.50000	0.01330	-3.7250	-25.222E-6
-0.090792 1.6627E-6						
1 Displacement Grid 1	22.25000	39.50000	-3.50000	0.01256	-3.7250	-26.108E-6
-0.092627 1.6962E-6						
1 Displacement Grid 1	23.25000	39.50000	-3.50000	0.01231	-3.7250	-26.406E-6
-0.093227 1.7072E-6						
1 Displacement Grid 1	24.25000	39.50000	-3.50000	0.01257	-3.7250	-26.088E-6
-0.092552 1.6949E-6						
1 Displacement Grid 1	25.25000	39.50000	-3.50000	0.01332	-3.7250	-25.184E-6
-0.090645 1.6600E-6						
1 Displacement Grid 1	26.25000	39.50000	-3.50000	0.01447	-3.7250	-23.774E-6
-0.087628 1.6048E-6						
1 Displacement Grid 1	27.25000	39.50000	-3.50000	0.01592	-3.7250	-21.975E-6

-0.083683	1.5326E-6						
1 Displacement	Grid 1	28.25000	39.50000	-3.50000	0.01751	-3.7250	-19.924E-6
-0.079029	1.4474E-6						
1 Displacement	Grid 1	29.25000	39.50000	-3.50000	0.01912	-3.7250	-17.757E-6
-0.073900	1.3535E-6						
1 Displacement	Grid 1	30.25000	39.50000	-3.50000	0.02062	-3.7250	-15.593E-6
-0.068517	1.2550E-6						
1 Displacement	Grid 1	31.25000	39.50000	-3.50000	0.02192	-3.7250	-13.524E-6
-0.063073	1.1553E-6						
1 Displacement	Grid 1	32.25000	39.50000	-3.50000	0.02295	-3.7250	-11.613E-6
-0.057726	1.0574E-6						
1 Displacement	Grid 1	33.25000	39.50000	-3.50000	0.02367	-3.7250	-9.8946E-6
-0.052592	963.45E-9						
1 Displacement	Grid 1	34.25000	39.50000	-3.50000	0.02408	-3.7250	-8.3825E-6
-0.047751	874.81E-9						
1 Displacement	Grid 1	35.25000	39.50000	-3.50000	0.02421	-3.7250	-7.0734E-6
-0.043250	792.40E-9						
1 Displacement	Grid 1	36.25000	39.50000	-3.50000	0.02406	-3.7250	-5.9542E-6
-0.039112	716.62E-9						
1 Displacement	Grid 1	37.25000	39.50000	-3.50000	0.02369	-3.7250	-5.0060E-6
-0.035340	647.52E-9						
1 Displacement	Grid 1	38.25000	39.50000	-3.50000	0.02314	-3.7250	-4.2081E-6
-0.031922	584.93E-9						
1 Displacement	Grid 1	39.25000	39.50000	-3.50000	0.02243	-3.7250	-3.5397E-6
-0.028842	528.50E-9						
1 Displacement	Grid 1	40.25000	39.50000	-3.50000	0.02162	-3.7250	-2.9813E-6
-0.026074	477.81E-9						
1 Displacement	Grid 1	41.25000	39.50000	-3.50000	0.02074	-3.7250	-2.5155E-6
-0.023594	432.36E-9						
1 Displacement	Grid 1	42.25000	39.50000	-3.50000	0.01981	-3.7250	-2.1272E-6
-0.021374	391.69E-9						
1 Displacement	Grid 1	43.25000	39.50000	-3.50000	0.01885	-3.7250	-1.8032E-6
-0.019389	355.32E-9						
1 Displacement	Grid 1	44.25000	39.50000	-3.50000	0.01789	-3.7250	-1.5328E-6
-0.017614	322.81E-9						
1 Displacement	Grid 1	45.25000	39.50000	-3.50000	0.01694	-3.7250	-1.3066E-6
-0.016027	293.73E-9						
1 Displacement	Grid 1	46.25000	39.50000	-3.50000	0.01602	-3.7250	-1.1171E-6
-0.014607	267.70E-9						
1 Displacement	Grid 1	0.25000	40.50000	-3.50000	0.01552	-3.7250	-1.0252E-6
-0.013907	254.89E-9						
1 Displacement	Grid 1	1.25000	40.50000	-3.50000	0.01640	-3.7250	-1.1909E-6
-0.015199	278.57E-9						
1 Displacement	Grid 1	2.25000	40.50000	-3.50000	0.01730	-3.7250	-1.3867E-6
-0.016633	304.84E-9						
1 Displacement	Grid 1	3.25000	40.50000	-3.50000	0.01822	-3.7250	-1.6183E-6
-0.018225	334.00E-9						
1 Displacement	Grid 1	4.25000	40.50000	-3.50000	0.01914	-3.7250	-1.8923E-6
-0.019990	366.34E-9						
1 Displacement	Grid 1	5.25000	40.50000	-3.50000	0.02005	-3.7250	-2.2165E-6
-0.021946	402.18E-9						
1 Displacement	Grid 1	6.25000	40.50000	-3.50000	0.02093	-3.7250	-2.6000E-6
-0.024110	441.82E-9						
1 Displacement	Grid 1	7.25000	40.50000	-3.50000	0.02175	-3.7250	-3.0527E-6
-0.026499	485.59E-9						
1 Displacement	Grid 1	8.25000	40.50000	-3.50000	0.02250	-3.7250	-3.5859E-6
-0.029128	533.76E-9						
1 Displacement	Grid 1	9.25000	40.50000	-3.50000	0.02315	-3.7250	-4.2112E-6
-0.032009	586.53E-9						
1 Displacement	Grid 1	10.25000	40.50000	-3.50000	0.02367	-3.7250	-4.9404E-6
-0.035149	644.03E-9						
1 Displacement	Grid 1	11.25000	40.50000	-3.50000	0.02402	-3.7250	-5.7842E-6
-0.038545	706.22E-9						
1 Displacement	Grid 1	12.25000	40.50000	-3.50000	0.02420	-3.7250	-6.7507E-6
-0.042184	772.88E-9						
1 Displacement	Grid 1	13.25000	40.50000	-3.50000	0.02417	-3.7250	-7.8429E-6
-0.046040	843.49E-9						
1 Displacement	Grid 1	14.25000	40.50000	-3.50000	0.02393	-3.7250	-9.0566E-6
-0.050066	917.20E-9						
1 Displacement	Grid 1	15.25000	40.50000	-3.50000	0.02348	-3.7250	-10.377E-6
-0.054192	992.76E-9						

1 Displacement Grid 1	16.25000	40.50000	-3.50000	0.02285	-3.7250	-11.775E-6
-0.058326 1.0684E-6						
1 Displacement Grid 1	17.25000	40.50000	-3.50000	0.02208	-3.7250	-13.206E-6
-0.062351 1.1421E-6						
1 Displacement Grid 1	18.25000	40.50000	-3.50000	0.02123	-3.7250	-14.611E-6
-0.066129 1.2113E-6						
1 Displacement Grid 1	19.25000	40.50000	-3.50000	0.02037	-3.7250	-15.917E-6
-0.069507 1.2731E-6						
1 Displacement Grid 1	20.25000	40.50000	-3.50000	0.01958	-3.7250	-17.044E-6
-0.072331 1.3248E-6						
1 Displacement Grid 1	21.25000	40.50000	-3.50000	0.01895	-3.7250	-17.916E-6
-0.074458 1.3637E-6						
1 Displacement Grid 1	22.25000	40.50000	-3.50000	0.01854	-3.7250	-18.465E-6
-0.075774 1.3878E-6						
1 Displacement Grid 1	23.25000	40.50000	-3.50000	0.01840	-3.7250	-18.648E-6
-0.076201 1.3956E-6						
1 Displacement Grid 1	24.25000	40.50000	-3.50000	0.01855	-3.7250	-18.451E-6
-0.075716 1.3868E-6						
1 Displacement Grid 1	25.25000	40.50000	-3.50000	0.01896	-3.7250	-17.889E-6
-0.074345 1.3617E-6						
1 Displacement Grid 1	26.25000	40.50000	-3.50000	0.01959	-3.7250	-17.006E-6
-0.072165 1.3218E-6						
1 Displacement Grid 1	27.25000	40.50000	-3.50000	0.02038	-3.7250	-15.869E-6
-0.069295 1.2692E-6						
1 Displacement Grid 1	28.25000	40.50000	-3.50000	0.02124	-3.7250	-14.555E-6
-0.065877 1.2067E-6						
1 Displacement Grid 1	29.25000	40.50000	-3.50000	0.02208	-3.7250	-13.144E-6
-0.062068 1.1369E-6						
1 Displacement Grid 1	30.25000	40.50000	-3.50000	0.02285	-3.7250	-11.710E-6
-0.058018 1.0628E-6						
1 Displacement Grid 1	31.25000	40.50000	-3.50000	0.02347	-3.7250	-10.310E-6
-0.053867 986.80E-9						
1 Displacement Grid 1	32.25000	40.50000	-3.50000	0.02390	-3.7250	-8.9906E-6
-0.049731 911.07E-9						
1 Displacement Grid 1	33.25000	40.50000	-3.50000	0.02413	-3.7250	-7.7786E-6
-0.045702 837.30E-9						
1 Displacement Grid 1	34.25000	40.50000	-3.50000	0.02414	-3.7250	-6.6892E-6
-0.041848 766.72E-9						
1 Displacement Grid 1	35.25000	40.50000	-3.50000	0.02396	-3.7250	-5.7265E-6
-0.038215 700.18E-9						
1 Displacement Grid 1	36.25000	40.50000	-3.50000	0.02359	-3.7250	-4.8868E-6
-0.034829 638.17E-9						
1 Displacement Grid 1	37.25000	40.50000	-3.50000	0.02306	-3.7250	-4.1620E-6
-0.031702 580.90E-9						
1 Displacement Grid 1	38.25000	40.50000	-3.50000	0.02241	-3.7250	-3.5412E-6
-0.028836 528.40E-9						
1 Displacement Grid 1	39.25000	40.50000	-3.50000	0.02165	-3.7250	-3.0125E-6
-0.026223 480.53E-9						
1 Displacement Grid 1	40.25000	40.50000	-3.50000	0.02082	-3.7250	-2.5639E-6
-0.023850 437.06E-9						
1 Displacement Grid 1	41.25000	40.50000	-3.50000	0.01994	-3.7250	-2.1844E-6
-0.021703 397.72E-9						
1 Displacement Grid 1	42.25000	40.50000	-3.50000	0.01903	-3.7250	-1.8638E-6
-0.019763 362.19E-9						
1 Displacement Grid 1	43.25000	40.50000	-3.50000	0.01811	-3.7250	-1.5931E-6
-0.018014 330.14E-9						
1 Displacement Grid 1	44.25000	40.50000	-3.50000	0.01719	-3.7250	-1.3645E-6
-0.016438 301.27E-9						
1 Displacement Grid 1	45.25000	40.50000	-3.50000	0.01629	-3.7250	-1.1714E-6
-0.015019 275.26E-9						
1 Displacement Grid 1	46.25000	40.50000	-3.50000	0.01540	-3.7250	-1.0080E-6
-0.013740 251.83E-9						
1 Displacement Grid 1	0.25000	41.50000	-3.50000	0.01489	-3.7250	-922.35E-9
-0.013058 239.34E-9						
1 Displacement Grid 1	1.25000	41.50000	-3.50000	0.01573	-3.7250	-1.0647E-6
-0.014219 260.60E-9						
1 Displacement Grid 1	2.25000	41.50000	-3.50000	0.01659	-3.7250	-1.2313E-6
-0.015498 284.03E-9						
1 Displacement Grid 1	3.25000	41.50000	-3.50000	0.01746	-3.7250	-1.4263E-6
-0.016907 309.86E-9						
1 Displacement Grid 1	4.25000	41.50000	-3.50000	0.01834	-3.7250	-1.6547E-6

-0.018459	338.29E-9						
1 Displacement Grid 1		5.25000	41.50000	-3.50000	0.01922	-3.7250	-1.9217E-6
-0.020164	369.53E-9						
1 Displacement Grid 1		6.25000	41.50000	-3.50000	0.02007	-3.7250	-2.2336E-6
-0.022035	403.81E-9						
1 Displacement Grid 1		7.25000	41.50000	-3.50000	0.02090	-3.7250	-2.5970E-6
-0.024082	441.30E-9						
1 Displacement Grid 1		8.25000	41.50000	-3.50000	0.02167	-3.7250	-3.0189E-6
-0.026312	482.16E-9						
1 Displacement Grid 1		9.25000	41.50000	-3.50000	0.02238	-3.7250	-3.5062E-6
-0.028730	526.45E-9						
1 Displacement Grid 1		10.25000	41.50000	-3.50000	0.02299	-3.7250	-4.0654E-6
-0.031336	574.19E-9						
1 Displacement Grid 1		11.25000	41.50000	-3.50000	0.02349	-3.7250	-4.7015E-6
-0.034122	625.23E-9						
1 Displacement Grid 1		12.25000	41.50000	-3.50000	0.02386	-3.7250	-5.4173E-6
-0.037073	679.27E-9						
1 Displacement Grid 1		13.25000	41.50000	-3.50000	0.02409	-3.7250	-6.2117E-6
-0.040160	735.81E-9						
1 Displacement Grid 1		14.25000	41.50000	-3.50000	0.02417	-3.7250	-7.0783E-6
-0.043343	794.10E-9						
1 Displacement Grid 1		15.25000	41.50000	-3.50000	0.02410	-3.7250	-8.0036E-6
-0.046564	853.09E-9						
1 Displacement Grid 1		16.25000	41.50000	-3.50000	0.02390	-3.7250	-8.9659E-6
-0.049752	911.47E-9						
1 Displacement Grid 1		17.25000	41.50000	-3.50000	0.02360	-3.7250	-9.9347E-6
-0.052820	967.63E-9						
1 Displacement Grid 1		18.25000	41.50000	-3.50000	0.02322	-3.7250	-10.871E-6
-0.055667	1.0198E-6						
1 Displacement Grid 1		19.25000	41.50000	-3.50000	0.02282	-3.7250	-11.729E-6
-0.058189	1.0659E-6						
1 Displacement Grid 1		20.25000	41.50000	-3.50000	0.02244	-3.7250	-12.462E-6
-0.060280	1.1042E-6						
1 Displacement Grid 1		21.25000	41.50000	-3.50000	0.02212	-3.7250	-13.023E-6
-0.061845	1.1329E-6						
1 Displacement Grid 1		22.25000	41.50000	-3.50000	0.02192	-3.7250	-13.374E-6
-0.062808	1.1505E-6						
1 Displacement Grid 1		23.25000	41.50000	-3.50000	0.02185	-3.7250	-13.491E-6
-0.063120	1.1562E-6						
1 Displacement Grid 1		24.25000	41.50000	-3.50000	0.02192	-3.7250	-13.365E-6
-0.062763	1.1497E-6						
1 Displacement Grid 1		25.25000	41.50000	-3.50000	0.02212	-3.7250	-13.004E-6
-0.061756	1.1312E-6						
1 Displacement Grid 1		26.25000	41.50000	-3.50000	0.02244	-3.7250	-12.435E-6
-0.060150	1.1018E-6						
1 Displacement Grid 1		27.25000	41.50000	-3.50000	0.02281	-3.7250	-11.695E-6
-0.058022	1.0629E-6						
1 Displacement Grid 1		28.25000	41.50000	-3.50000	0.02321	-3.7250	-10.831E-6
-0.055467	1.0161E-6						
1 Displacement Grid 1		29.25000	41.50000	-3.50000	0.02358	-3.7250	-9.8898E-6
-0.052593	963.48E-9						
1 Displacement Grid 1		30.25000	41.50000	-3.50000	0.02388	-3.7250	-8.9181E-6
-0.049505	906.93E-9						
1 Displacement Grid 1		31.25000	41.50000	-3.50000	0.02407	-3.7250	-7.9542E-6
-0.046301	848.27E-9						
1 Displacement Grid 1		32.25000	41.50000	-3.50000	0.02413	-3.7250	-7.0287E-6
-0.043070	789.10E-9						
1 Displacement Grid 1		33.25000	41.50000	-3.50000	0.02403	-3.7250	-6.1630E-6
-0.039883	730.73E-9						
1 Displacement Grid 1		34.25000	41.50000	-3.50000	0.02380	-3.7250	-5.3703E-6
-0.036795	674.18E-9						
1 Displacement Grid 1		35.25000	41.50000	-3.50000	0.02341	-3.7250	-4.6568E-6
-0.033848	620.19E-9						
1 Displacement Grid 1		36.25000	41.50000	-3.50000	0.02291	-3.7250	-4.0235E-6
-0.031067	569.27E-9						
1 Displacement Grid 1		37.25000	41.50000	-3.50000	0.02229	-3.7250	-3.4674E-6
-0.028470	521.70E-9						
1 Displacement Grid 1		38.25000	41.50000	-3.50000	0.02158	-3.7250	-2.9832E-6
-0.026063	477.59E-9						
1 Displacement Grid 1		39.25000	41.50000	-3.50000	0.02080	-3.7250	-2.5646E-6
-0.023844	436.96E-9						

1 Displacement Grid 1	40.25000	41.50000	-3.50000	0.01997	-3.7250	-2.2043E-6
-0.021810 399.70E-9						
1 Displacement Grid 1	41.25000	41.50000	-3.50000	0.01911	-3.7250	-1.8953E-6
-0.019953 365.66E-9						
1 Displacement Grid 1	42.25000	41.50000	-3.50000	0.01823	-3.7250	-1.6310E-6
-0.018260 334.65E-9						
1 Displacement Grid 1	43.25000	41.50000	-3.50000	0.01735	-3.7250	-1.4053E-6
-0.016721 306.45E-9						
1 Displacement Grid 1	44.25000	41.50000	-3.50000	0.01648	-3.7250	-1.2126E-6
-0.015325 280.86E-9						
1 Displacement Grid 1	45.25000	41.50000	-3.50000	0.01562	-3.7250	-1.0481E-6
-0.014058 257.65E-9						
1 Displacement Grid 1	46.25000	41.50000	-3.50000	0.01479	-3.7250	-907.65E-9
-0.012909 236.60E-9						
1 Displacement Grid 1	0.25000	42.50000	-3.50000	0.01427	-3.7250	-828.46E-9
-0.012249 224.51E-9						
1 Displacement Grid 1	1.25000	42.50000	-3.50000	0.01506	-3.7250	-950.42E-9
-0.013289 243.56E-9						
1 Displacement Grid 1	2.25000	42.50000	-3.50000	0.01587	-3.7250	-1.0919E-6
-0.014428 264.44E-9						
1 Displacement Grid 1	3.25000	42.50000	-3.50000	0.01669	-3.7250	-1.2559E-6
-0.015675 287.28E-9						
1 Displacement Grid 1	4.25000	42.50000	-3.50000	0.01753	-3.7250	-1.4459E-6
-0.017038 312.25E-9						
1 Displacement Grid 1	5.25000	42.50000	-3.50000	0.01837	-3.7250	-1.6658E-6
-0.018524 339.49E-9						
1 Displacement Grid 1	6.25000	42.50000	-3.50000	0.01919	-3.7250	-1.9195E-6
-0.020142 369.12E-9						
1 Displacement Grid 1	7.25000	42.50000	-3.50000	0.02000	-3.7250	-2.2114E-6
-0.021896 401.26E-9						
1 Displacement Grid 1	8.25000	42.50000	-3.50000	0.02077	-3.7250	-2.5459E-6
-0.023789 435.95E-9						
1 Displacement Grid 1	9.25000	42.50000	-3.50000	0.02149	-3.7250	-2.9267E-6
-0.025823 473.20E-9						
1 Displacement Grid 1	10.25000	42.50000	-3.50000	0.02215	-3.7250	-3.3574E-6
-0.027992 512.94E-9						
1 Displacement Grid 1	11.25000	42.50000	-3.50000	0.02273	-3.7250	-3.8399E-6
-0.030288 554.99E-9						
1 Displacement Grid 1	12.25000	42.50000	-3.50000	0.02322	-3.7250	-4.3742E-6
-0.032692 599.03E-9						
1 Displacement Grid 1	13.25000	42.50000	-3.50000	0.02361	-3.7250	-4.9577E-6
-0.035180 644.60E-9						
1 Displacement Grid 1	14.25000	42.50000	-3.50000	0.02388	-3.7250	-5.5840E-6
-0.037716 691.05E-9						
1 Displacement Grid 1	15.25000	42.50000	-3.50000	0.02405	-3.7250	-6.2420E-6
-0.040255 737.55E-9						
1 Displacement Grid 1	16.25000	42.50000	-3.50000	0.02412	-3.7250	-6.9158E-6
-0.042741 783.07E-9						
1 Displacement Grid 1	17.25000	42.50000	-3.50000	0.02411	-3.7250	-7.5844E-6
-0.045109 826.43E-9						
1 Displacement Grid 1	18.25000	42.50000	-3.50000	0.02402	-3.7250	-8.2219E-6
-0.047286 866.31E-9						
1 Displacement Grid 1	19.25000	42.50000	-3.50000	0.02390	-3.7250	-8.7995E-6
-0.049199 901.33E-9						
1 Displacement Grid 1	20.25000	42.50000	-3.50000	0.02377	-3.7250	-9.2876E-6
-0.050773 930.16E-9						
1 Displacement Grid 1	21.25000	42.50000	-3.50000	0.02365	-3.7250	-9.6585E-6
-0.051946 951.62E-9						
1 Displacement Grid 1	22.25000	42.50000	-3.50000	0.02356	-3.7250	-9.8895E-6
-0.052663 964.77E-9						
1 Displacement Grid 1	23.25000	42.50000	-3.50000	0.02353	-3.7250	-9.9659E-6
-0.052894 968.99E-9						
1 Displacement Grid 1	24.25000	42.50000	-3.50000	0.02356	-3.7250	-9.8825E-6
-0.052627 964.10E-9						
1 Displacement Grid 1	25.25000	42.50000	-3.50000	0.02364	-3.7250	-9.6448E-6
-0.051874 950.32E-9						
1 Displacement Grid 1	26.25000	42.50000	-3.50000	0.02376	-3.7250	-9.2677E-6
-0.050669 928.25E-9						
1 Displacement Grid 1	27.25000	42.50000	-3.50000	0.02389	-3.7250	-8.7742E-6
-0.049065 898.87E-9						
1 Displacement Grid 1	28.25000	42.50000	-3.50000	0.02400	-3.7250	-8.1921E-6



-0.047126	863.37E-9						
1 Displacement Grid 1		29.25000	42.50000	-3.50000	0.02408	-3.7250	-7.5512E-6
-0.044926	823.08E-9						
1 Displacement Grid 1		30.25000	42.50000	-3.50000	0.02409	-3.7250	-6.8802E-6
-0.042540	779.40E-9						
1 Displacement Grid 1		31.25000	42.50000	-3.50000	0.02401	-3.7250	-6.2050E-6
-0.040041	733.62E-9						
1 Displacement Grid 1		32.25000	42.50000	-3.50000	0.02383	-3.7250	-5.5465E-6
-0.037492	686.95E-9						
1 Displacement Grid 1		33.25000	42.50000	-3.50000	0.02355	-3.7250	-4.9205E-6
-0.034951	640.40E-9						
1 Displacement Grid 1		34.25000	42.50000	-3.50000	0.02315	-3.7250	-4.3380E-6
-0.032461	594.80E-9						
1 Displacement Grid 1		35.25000	42.50000	-3.50000	0.02266	-3.7250	-3.8051E-6
-0.030058	550.78E-9						
1 Displacement Grid 1		36.25000	42.50000	-3.50000	0.02207	-3.7250	-3.3245E-6
-0.027766	508.80E-9						
1 Displacement Grid 1		37.25000	42.50000	-3.50000	0.02141	-3.7250	-2.8959E-6
-0.025603	469.17E-9						
1 Displacement Grid 1		38.25000	42.50000	-3.50000	0.02068	-3.7250	-2.5173E-6
-0.023577	432.05E-9						
1 Displacement Grid 1		39.25000	42.50000	-3.50000	0.01990	-3.7250	-2.1852E-6
-0.021692	397.52E-9						
1 Displacement Grid 1		40.25000	42.50000	-3.50000	0.01909	-3.7250	-1.8955E-6
-0.019947	365.56E-9						
1 Displacement Grid 1		41.25000	42.50000	-3.50000	0.01826	-3.7250	-1.6440E-6
-0.018340	336.11E-9						
1 Displacement Grid 1		42.25000	42.50000	-3.50000	0.01743	-3.7250	-1.4263E-6
-0.016864	309.06E-9						
1 Displacement Grid 1		43.25000	42.50000	-3.50000	0.01659	-3.7250	-1.2382E-6
-0.015511	284.28E-9						
1 Displacement Grid 1		44.25000	42.50000	-3.50000	0.01577	-3.7250	-1.0761E-6
-0.014275	261.63E-9						
1 Displacement Grid 1		45.25000	42.50000	-3.50000	0.01496	-3.7250	-936.28E-9
-0.013146	240.93E-9						
1 Displacement Grid 1		46.25000	42.50000	-3.50000	0.01418	-3.7250	-815.86E-9
-0.012116	222.06E-9						
1 Displacement Grid 1		0.25000	43.50000	-3.50000	0.01366	-3.7250	-743.17E-9
-0.011482	210.44E-9						
1 Displacement Grid 1		1.25000	43.50000	-3.50000	0.01440	-3.7250	-847.49E-9
-0.012412	227.50E-9						
1 Displacement Grid 1		2.25000	43.50000	-3.50000	0.01515	-3.7250	-967.43E-9
-0.013426	246.07E-9						
1 Displacement Grid 1		3.25000	43.50000	-3.50000	0.01593	-3.7250	-1.1052E-6
-0.014528	266.27E-9						
1 Displacement Grid 1		4.25000	43.50000	-3.50000	0.01672	-3.7250	-1.2633E-6
-0.015724	288.19E-9						
1 Displacement Grid 1		5.25000	43.50000	-3.50000	0.01751	-3.7250	-1.4443E-6
-0.017020	311.93E-9						
1 Displacement Grid 1		6.25000	43.50000	-3.50000	0.01830	-3.7250	-1.6508E-6
-0.018419	337.56E-9						
1 Displacement Grid 1		7.25000	43.50000	-3.50000	0.01907	-3.7250	-1.8857E-6
-0.019923	365.12E-9						
1 Displacement Grid 1		8.25000	43.50000	-3.50000	0.01983	-3.7250	-2.1515E-6
-0.021534	394.63E-9						
1 Displacement Grid 1		9.25000	43.50000	-3.50000	0.02055	-3.7250	-2.4502E-6
-0.023248	426.03E-9						
1 Displacement Grid 1		10.25000	43.50000	-3.50000	0.02122	-3.7250	-2.7835E-6
-0.025060	459.22E-9						
1 Displacement Grid 1		11.25000	43.50000	-3.50000	0.02183	-3.7250	-3.1518E-6
-0.026959	494.01E-9						
1 Displacement Grid 1		12.25000	43.50000	-3.50000	0.02238	-3.7250	-3.5538E-6
-0.028928	530.08E-9						
1 Displacement Grid 1		13.25000	43.50000	-3.50000	0.02285	-3.7250	-3.9866E-6
-0.030946	567.04E-9						
1 Displacement Grid 1		14.25000	43.50000	-3.50000	0.02324	-3.7250	-4.4444E-6
-0.032982	604.35E-9						
1 Displacement Grid 1		15.25000	43.50000	-3.50000	0.02355	-3.7250	-4.9188E-6
-0.035002	641.33E-9						
1 Displacement Grid 1		16.25000	43.50000	-3.50000	0.02378	-3.7250	-5.3980E-6
-0.036960	677.20E-9						

1 Displacement Grid 1	17.25000	43.50000	-3.50000	0.02394	-3.7250	-5.8675E-6
-0.038809 711.07E-9						
1 Displacement Grid 1	18.25000	43.50000	-3.50000	0.02403	-3.7250	-6.3101E-6
-0.040496 741.96E-9						
1 Displacement Grid 1	19.25000	43.50000	-3.50000	0.02407	-3.7250	-6.7070E-6
-0.041967 768.90E-9						
1 Displacement Grid 1	20.25000	43.50000	-3.50000	0.02409	-3.7250	-7.0396E-6
-0.043171 790.95E-9						
1 Displacement Grid 1	21.25000	43.50000	-3.50000	0.02408	-3.7250	-7.2907E-6
-0.044063 807.28E-9						
1 Displacement Grid 1	22.25000	43.50000	-3.50000	0.02407	-3.7250	-7.4463E-6
-0.044607 817.24E-9						
1 Displacement Grid 1	23.25000	43.50000	-3.50000	0.02407	-3.7250	-7.4975E-6
-0.044781 820.43E-9						
1 Displacement Grid 1	24.25000	43.50000	-3.50000	0.02407	-3.7250	-7.4411E-6
-0.044578 816.71E-9						
1 Displacement Grid 1	25.25000	43.50000	-3.50000	0.02407	-3.7250	-7.2806E-6
-0.044006 806.23E-9						
1 Displacement Grid 1	26.25000	43.50000	-3.50000	0.02407	-3.7250	-7.0250E-6
-0.043087 789.41E-9						
1 Displacement Grid 1	27.25000	43.50000	-3.50000	0.02405	-3.7250	-6.6883E-6
-0.041859 766.92E-9						
1 Displacement Grid 1	28.25000	43.50000	-3.50000	0.02400	-3.7250	-6.2880E-6
-0.040366 739.58E-9						
1 Displacement Grid 1	29.25000	43.50000	-3.50000	0.02390	-3.7250	-5.8427E-6
-0.038661 708.34E-9						
1 Displacement Grid 1	30.25000	43.50000	-3.50000	0.02374	-3.7250	-5.3712E-6
-0.036796 674.20E-9						
1 Displacement Grid 1	31.25000	43.50000	-3.50000	0.02351	-3.7250	-4.8907E-6
-0.034826 638.11E-9						
1 Displacement Grid 1	32.25000	43.50000	-3.50000	0.02319	-3.7250	-4.4158E-6
-0.032798 600.97E-9						
1 Displacement Grid 1	33.25000	43.50000	-3.50000	0.02279	-3.7250	-3.9580E-6
-0.030755 563.56E-9						
1 Displacement Grid 1	34.25000	43.50000	-3.50000	0.02231	-3.7250	-3.5257E-6
-0.028735 526.55E-9						
1 Displacement Grid 1	35.25000	43.50000	-3.50000	0.02176	-3.7250	-3.1245E-6
-0.026765 490.47E-9						
1 Displacement Grid 1	36.25000	43.50000	-3.50000	0.02114	-3.7250	-2.7575E-6
-0.024869 455.72E-9						
1 Displacement Grid 1	37.25000	43.50000	-3.50000	0.02046	-3.7250	-2.4257E-6
-0.023061 422.60E-9						
1 Displacement Grid 1	38.25000	43.50000	-3.50000	0.01974	-3.7250	-2.1285E-6
-0.021352 391.29E-9						
1 Displacement Grid 1	39.25000	43.50000	-3.50000	0.01898	-3.7250	-1.8644E-6
-0.019747 361.90E-9						
1 Displacement Grid 1	40.25000	43.50000	-3.50000	0.01820	-3.7250	-1.6312E-6
-0.018250 334.47E-9						
1 Displacement Grid 1	41.25000	43.50000	-3.50000	0.01741	-3.7250	-1.4263E-6
-0.016859 308.98E-9						
1 Displacement Grid 1	42.25000	43.50000	-3.50000	0.01662	-3.7250	-1.2470E-6
-0.015572 285.39E-9						
1 Displacement Grid 1	43.25000	43.50000	-3.50000	0.01583	-3.7250	-1.0904E-6
-0.014384 263.62E-9						
1 Displacement Grid 1	44.25000	43.50000	-3.50000	0.01506	-3.7250	-954.06E-9
-0.013290 243.57E-9						
1 Displacement Grid 1	45.25000	43.50000	-3.50000	0.01430	-3.7250	-835.46E-9
-0.012284 225.15E-9						
1 Displacement Grid 1	46.25000	43.50000	-3.50000	0.01357	-3.7250	-732.37E-9
-0.011362 208.24E-9						
1 Displacement Grid 1	0.25000	44.50000	-3.50000	0.01305	-3.7250	-666.04E-9
-0.010756 197.14E-9						
1 Displacement Grid 1	1.25000	44.50000	-3.50000	0.01374	-3.7250	-755.15E-9
-0.011588 212.40E-9						
1 Displacement Grid 1	2.25000	44.50000	-3.50000	0.01445	-3.7250	-856.77E-9
-0.012489 228.91E-9						
1 Displacement Grid 1	3.25000	44.50000	-3.50000	0.01518	-3.7250	-972.47E-9
-0.013463 246.76E-9						
1 Displacement Grid 1	4.25000	44.50000	-3.50000	0.01591	-3.7250	-1.1040E-6
-0.014514 266.00E-9						
1 Displacement Grid 1	5.25000	44.50000	-3.50000	0.01666	-3.7250	-1.2530E-6

-0.015643	286.70E-9						
1 Displacement	Grid 1	6.25000	44.50000	-3.50000	0.01740	-3.7250	-1.4214E-6
-0.016854	308.88E-9						
1 Displacement	Grid 1	7.25000	44.50000	-3.50000	0.01814	-3.7250	-1.6108E-6
-0.018146	332.56E-9						
1 Displacement	Grid 1	8.25000	44.50000	-3.50000	0.01886	-3.7250	-1.8226E-6
-0.019519	357.71E-9						
1 Displacement	Grid 1	9.25000	44.50000	-3.50000	0.01956	-3.7250	-2.0579E-6
-0.020968	384.25E-9						
1 Displacement	Grid 1	10.25000	44.50000	-3.50000	0.02022	-3.7250	-2.3171E-6
-0.022486	412.07E-9						
1 Displacement	Grid 1	11.25000	44.50000	-3.50000	0.02084	-3.7250	-2.6000E-6
-0.024063	440.97E-9						
1 Displacement	Grid 1	12.25000	44.50000	-3.50000	0.02141	-3.7250	-2.9049E-6
-0.025685	470.67E-9						
1 Displacement	Grid 1	13.25000	44.50000	-3.50000	0.02192	-3.7250	-3.2289E-6
-0.027331	500.84E-9						
1 Displacement	Grid 1	14.25000	44.50000	-3.50000	0.02237	-3.7250	-3.5674E-6
-0.028979	531.02E-9						
1 Displacement	Grid 1	15.25000	44.50000	-3.50000	0.02275	-3.7250	-3.9137E-6
-0.030599	560.69E-9						
1 Displacement	Grid 1	16.25000	44.50000	-3.50000	0.02307	-3.7250	-4.2595E-6
-0.032157	589.22E-9						
1 Displacement	Grid 1	17.25000	44.50000	-3.50000	0.02332	-3.7250	-4.5945E-6
-0.033616	615.96E-9						
1 Displacement	Grid 1	18.25000	44.50000	-3.50000	0.02351	-3.7250	-4.9072E-6
-0.034939	640.18E-9						
1 Displacement	Grid 1	19.25000	44.50000	-3.50000	0.02366	-3.7250	-5.1852E-6
-0.036085	661.17E-9						
1 Displacement	Grid 1	20.25000	44.50000	-3.50000	0.02375	-3.7250	-5.4164E-6
-0.037018	678.26E-9						
1 Displacement	Grid 1	21.25000	44.50000	-3.50000	0.02382	-3.7250	-5.5899E-6
-0.037706	690.86E-9						
1 Displacement	Grid 1	22.25000	44.50000	-3.50000	0.02385	-3.7250	-5.6970E-6
-0.038125	698.53E-9						
1 Displacement	Grid 1	23.25000	44.50000	-3.50000	0.02386	-3.7250	-5.7321E-6
-0.038258	700.98E-9						
1 Displacement	Grid 1	24.25000	44.50000	-3.50000	0.02385	-3.7250	-5.6932E-6
-0.038101	698.10E-9						
1 Displacement	Grid 1	25.25000	44.50000	-3.50000	0.02381	-3.7250	-5.5824E-6
-0.037660	690.02E-9						
1 Displacement	Grid 1	26.25000	44.50000	-3.50000	0.02374	-3.7250	-5.4055E-6
-0.036950	677.01E-9						
1 Displacement	Grid 1	27.25000	44.50000	-3.50000	0.02363	-3.7250	-5.1712E-6
-0.035997	659.56E-9						
1 Displacement	Grid 1	28.25000	44.50000	-3.50000	0.02349	-3.7250	-4.8905E-6
-0.034833	638.24E-9						
1 Displacement	Grid 1	29.25000	44.50000	-3.50000	0.02329	-3.7250	-4.5757E-6
-0.033495	613.73E-9						
1 Displacement	Grid 1	30.25000	44.50000	-3.50000	0.02303	-3.7250	-4.2391E-6
-0.032022	586.75E-9						
1 Displacement	Grid 1	31.25000	44.50000	-3.50000	0.02271	-3.7250	-3.8922E-6
-0.030453	558.02E-9						
1 Displacement	Grid 1	32.25000	44.50000	-3.50000	0.02232	-3.7250	-3.5453E-6
-0.028826	528.21E-9						
1 Displacement	Grid 1	33.25000	44.50000	-3.50000	0.02186	-3.7250	-3.2067E-6
-0.027173	497.93E-9						
1 Displacement	Grid 1	34.25000	44.50000	-3.50000	0.02135	-3.7250	-2.8829E-6
-0.025523	467.70E-9						
1 Displacement	Grid 1	35.25000	44.50000	-3.50000	0.02077	-3.7250	-2.5785E-6
-0.023900	437.98E-9						
1 Displacement	Grid 1	36.25000	44.50000	-3.50000	0.02015	-3.7250	-2.2965E-6
-0.022324	409.09E-9						
1 Displacement	Grid 1	37.25000	44.50000	-3.50000	0.01948	-3.7250	-2.0382E-6
-0.020808	381.32E-9						
1 Displacement	Grid 1	38.25000	44.50000	-3.50000	0.01878	-3.7250	-1.8040E-6
-0.019362	354.84E-9						
1 Displacement	Grid 1	39.25000	44.50000	-3.50000	0.01805	-3.7250	-1.5934E-6
-0.017994	329.78E-9						
1 Displacement	Grid 1	40.25000	44.50000	-3.50000	0.01732	-3.7250	-1.4053E-6
-0.016707	306.20E-9						

1 Displacement Grid 1	41.25000	44.50000	-3.50000	0.01657	-3.7250	-1.2382E-6
-0.015503 284.13E-9						
1 Displacement Grid 1	42.25000	44.50000	-3.50000	0.01582	-3.7250	-1.0904E-6
-0.014380 263.54E-9						
1 Displacement Grid 1	43.25000	44.50000	-3.50000	0.01509	-3.7250	-960.04E-9
-0.013336 244.42E-9						
1 Displacement Grid 1	44.25000	44.50000	-3.50000	0.01436	-3.7250	-845.46E-9
-0.012369 226.70E-9						
1 Displacement Grid 1	45.25000	44.50000	-3.50000	0.01365	-3.7250	-744.91E-9
-0.011474 210.30E-9						
1 Displacement Grid 1	46.25000	44.50000	-3.50000	0.01297	-3.7250	-656.78E-9
-0.010648 195.17E-9						
1 Displacement Grid 1	0.25000	45.50000	-3.50000	0.01246	-3.7250	-596.54E-9
-0.010072 184.61E-9						
1 Displacement Grid 1	1.25000	45.50000	-3.50000	0.01310	-3.7250	-672.61E-9
-0.010816 198.25E-9						
1 Displacement Grid 1	2.25000	45.50000	-3.50000	0.01376	-3.7250	-758.66E-9
-0.011617 212.93E-9						
1 Displacement Grid 1	3.25000	45.50000	-3.50000	0.01444	-3.7250	-855.82E-9
-0.012478 228.70E-9						
1 Displacement Grid 1	4.25000	45.50000	-3.50000	0.01512	-3.7250	-965.27E-9
-0.013400 245.60E-9						
1 Displacement Grid 1	5.25000	45.50000	-3.50000	0.01582	-3.7250	-1.0882E-6
-0.014386 263.66E-9						
1 Displacement Grid 1	6.25000	45.50000	-3.50000	0.01652	-3.7250	-1.2256E-6
-0.015435 282.88E-9						
1 Displacement Grid 1	7.25000	45.50000	-3.50000	0.01721	-3.7250	-1.3787E-6
-0.016547 303.25E-9						
1 Displacement Grid 1	8.25000	45.50000	-3.50000	0.01789	-3.7250	-1.5480E-6
-0.017719 324.73E-9						
1 Displacement Grid 1	9.25000	45.50000	-3.50000	0.01856	-3.7250	-1.7341E-6
-0.018947 347.23E-9						
1 Displacement Grid 1	10.25000	45.50000	-3.50000	0.01920	-3.7250	-1.9369E-6
-0.020224 370.62E-9						
1 Displacement Grid 1	11.25000	45.50000	-3.50000	0.01980	-3.7250	-2.1556E-6
-0.021540 394.73E-9						
1 Displacement Grid 1	12.25000	45.50000	-3.50000	0.02037	-3.7250	-2.3886E-6
-0.022882 419.33E-9						
1 Displacement Grid 1	13.25000	45.50000	-3.50000	0.02089	-3.7250	-2.6334E-6
-0.024234 444.10E-9						
1 Displacement Grid 1	14.25000	45.50000	-3.50000	0.02136	-3.7250	-2.8862E-6
-0.025576 468.69E-9						
1 Displacement Grid 1	15.25000	45.50000	-3.50000	0.02177	-3.7250	-3.1421E-6
-0.026886 492.68E-9						
1 Displacement Grid 1	16.25000	45.50000	-3.50000	0.02213	-3.7250	-3.3950E-6
-0.028136 515.58E-9						
1 Displacement Grid 1	17.25000	45.50000	-3.50000	0.02243	-3.7250	-3.6376E-6
-0.029300 536.90E-9						
1 Displacement Grid 1	18.25000	45.50000	-3.50000	0.02268	-3.7250	-3.8621E-6
-0.030348 556.10E-9						
1 Displacement Grid 1	19.25000	45.50000	-3.50000	0.02287	-3.7250	-4.0601E-6
-0.031251 572.64E-9						
1 Displacement Grid 1	20.25000	45.50000	-3.50000	0.02301	-3.7250	-4.2238E-6
-0.031983 586.05E-9						
1 Displacement Grid 1	21.25000	45.50000	-3.50000	0.02311	-3.7250	-4.3460E-6
-0.032522 595.91E-9						
1 Displacement Grid 1	22.25000	45.50000	-3.50000	0.02317	-3.7250	-4.4212E-6
-0.032848 601.89E-9						
1 Displacement Grid 1	23.25000	45.50000	-3.50000	0.02318	-3.7250	-4.4457E-6
-0.032952 603.78E-9						
1 Displacement Grid 1	24.25000	45.50000	-3.50000	0.02316	-3.7250	-4.4183E-6
-0.032829 601.54E-9						
1 Displacement Grid 1	25.25000	45.50000	-3.50000	0.02310	-3.7250	-4.3404E-6
-0.032484 595.21E-9						
1 Displacement Grid 1	26.25000	45.50000	-3.50000	0.02299	-3.7250	-4.2156E-6
-0.031928 585.03E-9						
1 Displacement Grid 1	27.25000	45.50000	-3.50000	0.02284	-3.7250	-4.0495E-6
-0.031179 571.32E-9						
1 Displacement Grid 1	28.25000	45.50000	-3.50000	0.02265	-3.7250	-3.8494E-6
-0.030261 554.50E-9						
1 Displacement Grid 1	29.25000	45.50000	-3.50000	0.02239	-3.7250	-3.6233E-6

-0.029200	535.06E-9						
1 Displacement Grid 1		30.25000	45.50000	-3.50000	0.02209	-3.7250	-3.3793E-6
-0.028025	513.54E-9						
1 Displacement Grid 1		31.25000	45.50000	-3.50000	0.02172	-3.7250	-3.1256E-6
-0.026765	490.46E-9						
1 Displacement Grid 1		32.25000	45.50000	-3.50000	0.02130	-3.7250	-2.8691E-6
-0.025448	466.34E-9						
1 Displacement Grid 1		33.25000	45.50000	-3.50000	0.02083	-3.7250	-2.6160E-6
-0.024101	441.65E-9						
1 Displacement Grid 1		34.25000	45.50000	-3.50000	0.02031	-3.7250	-2.3713E-6
-0.022745	416.82E-9						
1 Displacement Grid 1		35.25000	45.50000	-3.50000	0.01973	-3.7250	-2.1386E-6
-0.021401	392.20E-9						
1 Displacement Grid 1		36.25000	45.50000	-3.50000	0.01912	-3.7250	-1.9204E-6
-0.020085	368.09E-9						
1 Displacement Grid 1		37.25000	45.50000	-3.50000	0.01848	-3.7250	-1.7183E-6
-0.018810	344.72E-9						
1 Displacement Grid 1		38.25000	45.50000	-3.50000	0.01781	-3.7250	-1.5330E-6
-0.017584	322.26E-9						
1 Displacement Grid 1		39.25000	45.50000	-3.50000	0.01713	-3.7250	-1.3645E-6
-0.016415	300.84E-9						
1 Displacement Grid 1		40.25000	45.50000	-3.50000	0.01644	-3.7250	-1.2124E-6
-0.015307	280.54E-9						
1 Displacement Grid 1		41.25000	45.50000	-3.50000	0.01574	-3.7250	-1.0759E-6
-0.014263	261.40E-9						
1 Displacement Grid 1		42.25000	45.50000	-3.50000	0.01504	-3.7250	-953.89E-9
-0.013282	243.44E-9						
1 Displacement Grid 1		43.25000	45.50000	-3.50000	0.01435	-3.7250	-845.37E-9
-0.012365	226.63E-9						
1 Displacement Grid 1		44.25000	45.50000	-3.50000	0.01368	-3.7250	-749.09E-9
-0.011510	210.96E-9						
1 Displacement Grid 1		45.25000	45.50000	-3.50000	0.01302	-3.7250	-663.88E-9
-0.010714	196.38E-9						
1 Displacement Grid 1		46.25000	45.50000	-3.50000	0.01238	-3.7250	-588.59E-9
-0.0099757	182.84E-9						
1 Displacement Grid 1		0.25000	46.50000	-3.50000	0.01188	-3.7250	-534.10E-9
-0.0094297	172.84E-9						
1 Displacement Grid 1		1.25000	46.50000	-3.50000	0.01248	-3.7250	-599.02E-9
-0.010095	185.03E-9						
1 Displacement Grid 1		2.25000	46.50000	-3.50000	0.01309	-3.7250	-671.89E-9
-0.010807	198.07E-9						
1 Displacement Grid 1		3.25000	46.50000	-3.50000	0.01372	-3.7250	-753.52E-9
-0.011567	212.01E-9						
1 Displacement Grid 1		4.25000	46.50000	-3.50000	0.01436	-3.7250	-844.68E-9
-0.012378	226.86E-9						
1 Displacement Grid 1		5.25000	46.50000	-3.50000	0.01500	-3.7250	-946.16E-9
-0.013238	242.64E-9						
1 Displacement Grid 1		6.25000	46.50000	-3.50000	0.01565	-3.7250	-1.0586E-6
-0.014149	259.32E-9						
1 Displacement Grid 1		7.25000	46.50000	-3.50000	0.01630	-3.7250	-1.1826E-6
-0.015107	276.88E-9						
1 Displacement Grid 1		8.25000	46.50000	-3.50000	0.01694	-3.7250	-1.3186E-6
-0.016111	295.27E-9						
1 Displacement Grid 1		9.25000	46.50000	-3.50000	0.01756	-3.7250	-1.4664E-6
-0.017155	314.39E-9						
1 Displacement Grid 1		10.25000	46.50000	-3.50000	0.01817	-3.7250	-1.6258E-6
-0.018232	334.14E-9						
1 Displacement Grid 1		11.25000	46.50000	-3.50000	0.01875	-3.7250	-1.7960E-6
-0.019335	354.35E-9						
1 Displacement Grid 1		12.25000	46.50000	-3.50000	0.01929	-3.7250	-1.9755E-6
-0.020452	374.80E-9						
1 Displacement Grid 1		13.25000	46.50000	-3.50000	0.01980	-3.7250	-2.1620E-6
-0.021569	395.27E-9						
1 Displacement Grid 1		14.25000	46.50000	-3.50000	0.02027	-3.7250	-2.3528E-6
-0.022670	415.44E-9						
1 Displacement Grid 1		15.25000	46.50000	-3.50000	0.02069	-3.7250	-2.5440E-6
-0.023737	434.98E-9						
1 Displacement Grid 1		16.25000	46.50000	-3.50000	0.02106	-3.7250	-2.7312E-6
-0.024749	453.53E-9						
1 Displacement Grid 1		17.25000	46.50000	-3.50000	0.02138	-3.7250	-2.9093E-6
-0.025685	470.68E-9						

1 Displacement Grid 1	18.25000	46.50000	-3.50000	0.02164	-3.7250	-3.0728E-6
-0.026524 486.04E-9						
1 Displacement Grid 1	19.25000	46.50000	-3.50000	0.02186	-3.7250	-3.2161E-6
-0.027243 499.23E-9						
1 Displacement Grid 1	20.25000	46.50000	-3.50000	0.02202	-3.7250	-3.3339E-6
-0.027824 509.87E-9						
1 Displacement Grid 1	21.25000	46.50000	-3.50000	0.02214	-3.7250	-3.4215E-6
-0.028250 517.66E-9						
1 Displacement Grid 1	22.25000	46.50000	-3.50000	0.02221	-3.7250	-3.4751E-6
-0.028507 522.38E-9						
1 Displacement Grid 1	23.25000	46.50000	-3.50000	0.02223	-3.7250	-3.4925E-6
-0.028589 523.87E-9						
1 Displacement Grid 1	24.25000	46.50000	-3.50000	0.02220	-3.7250	-3.4729E-6
-0.028492 522.09E-9						
1 Displacement Grid 1	25.25000	46.50000	-3.50000	0.02213	-3.7250	-3.4172E-6
-0.028219 517.09E-9						
1 Displacement Grid 1	26.25000	46.50000	-3.50000	0.02201	-3.7250	-3.3276E-6
-0.027779 509.03E-9						
1 Displacement Grid 1	27.25000	46.50000	-3.50000	0.02184	-3.7250	-3.2080E-6
-0.027184 498.13E-9						
1 Displacement Grid 1	28.25000	46.50000	-3.50000	0.02161	-3.7250	-3.0631E-6
-0.026452 484.72E-9						
1 Displacement Grid 1	29.25000	46.50000	-3.50000	0.02134	-3.7250	-2.8982E-6
-0.025602 469.15E-9						
1 Displacement Grid 1	30.25000	46.50000	-3.50000	0.02102	-3.7250	-2.7191E-6
-0.024656 451.82E-9						
1 Displacement Grid 1	31.25000	46.50000	-3.50000	0.02064	-3.7250	-2.5311E-6
-0.023635 433.13E-9						
1 Displacement Grid 1	32.25000	46.50000	-3.50000	0.02022	-3.7250	-2.3394E-6
-0.022562 413.47E-9						
1 Displacement Grid 1	33.25000	46.50000	-3.50000	0.01975	-3.7250	-2.1483E-6
-0.021456 393.21E-9						
1 Displacement Grid 1	34.25000	46.50000	-3.50000	0.01923	-3.7250	-1.9617E-6
-0.020336 372.68E-9						
1 Displacement Grid 1	35.25000	46.50000	-3.50000	0.01868	-3.7250	-1.7824E-6
-0.019218 352.19E-9						
1 Displacement Grid 1	36.25000	46.50000	-3.50000	0.01810	-3.7250	-1.6126E-6
-0.018114 331.97E-9						
1 Displacement Grid 1	37.25000	46.50000	-3.50000	0.01749	-3.7250	-1.4536E-6
-0.017037 312.23E-9						
1 Displacement Grid 1	38.25000	46.50000	-3.50000	0.01686	-3.7250	-1.3063E-6
-0.015994 293.13E-9						
1 Displacement Grid 1	39.25000	46.50000	-3.50000	0.01622	-3.7250	-1.1710E-6
-0.014993 274.79E-9						
1 Displacement Grid 1	40.25000	46.50000	-3.50000	0.01557	-3.7250	-1.0477E-6
-0.014038 257.28E-9						
1 Displacement Grid 1	41.25000	46.50000	-3.50000	0.01493	-3.7250	-935.93E-9
-0.013131 240.66E-9						
1 Displacement Grid 1	42.25000	46.50000	-3.50000	0.01428	-3.7250	-835.17E-9
-0.012274 224.96E-9						
1 Displacement Grid 1	43.25000	46.50000	-3.50000	0.01364	-3.7250	-744.71E-9
-0.011468 210.19E-9						
1 Displacement Grid 1	44.25000	46.50000	-3.50000	0.01301	-3.7250	-663.78E-9
-0.010711 196.33E-9						
1 Displacement Grid 1	45.25000	46.50000	-3.50000	0.01240	-3.7250	-591.57E-9
-0.010004 183.36E-9						
1 Displacement Grid 1	46.25000	46.50000	-3.50000	0.01181	-3.7250	-527.28E-9
-0.0093433 171.25E-9						
1 Displacement Grid 1	0.25000	47.50000	-3.50000	0.01132	-3.7250	-478.15E-9
-0.0088277 161.81E-9						
1 Displacement Grid 1	1.25000	47.50000	-3.50000	0.01187	-3.7250	-533.55E-9
-0.0094220 172.70E-9						
1 Displacement Grid 1	2.25000	47.50000	-3.50000	0.01244	-3.7250	-595.28E-9
-0.010055 184.30E-9						
1 Displacement Grid 1	3.25000	47.50000	-3.50000	0.01302	-3.7250	-663.91E-9
-0.010728 196.63E-9						
1 Displacement Grid 1	4.25000	47.50000	-3.50000	0.01361	-3.7250	-739.94E-9
-0.011440 209.69E-9						
1 Displacement Grid 1	5.25000	47.50000	-3.50000	0.01421	-3.7250	-823.88E-9
-0.012193 223.48E-9						
1 Displacement Grid 1	6.25000	47.50000	-3.50000	0.01481	-3.7250	-916.12E-9

-0.012984	237.97E-9						
1 Displacement Grid 1		7.25000	47.50000	-3.50000	0.01541	-3.7250	-1.0169E-6
-0.013812	253.14E-9						
1 Displacement Grid 1		8.25000	47.50000	-3.50000	0.01600	-3.7250	-1.1264E-6
-0.014673	268.92E-9						
1 Displacement Grid 1		9.25000	47.50000	-3.50000	0.01659	-3.7250	-1.2444E-6
-0.015563	285.24E-9						
1 Displacement Grid 1		10.25000	47.50000	-3.50000	0.01715	-3.7250	-1.3704E-6
-0.016476	301.97E-9						
1 Displacement Grid 1		11.25000	47.50000	-3.50000	0.01770	-3.7250	-1.5037E-6
-0.017405	318.97E-9						
1 Displacement Grid 1		12.25000	47.50000	-3.50000	0.01821	-3.7250	-1.6429E-6
-0.018338	336.08E-9						
1 Displacement Grid 1		13.25000	47.50000	-3.50000	0.01870	-3.7250	-1.7863E-6
-0.019266	353.08E-9						
1 Displacement Grid 1		14.25000	47.50000	-3.50000	0.01915	-3.7250	-1.9316E-6
-0.020175	369.73E-9						
1 Displacement Grid 1		15.25000	47.50000	-3.50000	0.01956	-3.7250	-2.0759E-6
-0.021050	385.77E-9						
1 Displacement Grid 1		16.25000	47.50000	-3.50000	0.01992	-3.7250	-2.2161E-6
-0.021876	400.90E-9						
1 Displacement Grid 1		17.25000	47.50000	-3.50000	0.02024	-3.7250	-2.3485E-6
-0.022636	414.82E-9						
1 Displacement Grid 1		18.25000	47.50000	-3.50000	0.02051	-3.7250	-2.4692E-6
-0.023313	427.23E-9						
1 Displacement Grid 1		19.25000	47.50000	-3.50000	0.02073	-3.7250	-2.5744E-6
-0.023892	437.83E-9						
1 Displacement Grid 1		20.25000	47.50000	-3.50000	0.02090	-3.7250	-2.6605E-6
-0.024358	446.36E-9						
1 Displacement Grid 1		21.25000	47.50000	-3.50000	0.02102	-3.7250	-2.7242E-6
-0.024698	452.60E-9						
1 Displacement Grid 1		22.25000	47.50000	-3.50000	0.02109	-3.7250	-2.7631E-6
-0.024903	456.36E-9						
1 Displacement Grid 1		23.25000	47.50000	-3.50000	0.02112	-3.7250	-2.7757E-6
-0.024968	457.55E-9						
1 Displacement Grid 1		24.25000	47.50000	-3.50000	0.02109	-3.7250	-2.7614E-6
-0.024890	456.12E-9						
1 Displacement Grid 1		25.25000	47.50000	-3.50000	0.02101	-3.7250	-2.7209E-6
-0.024672	452.12E-9						
1 Displacement Grid 1		26.25000	47.50000	-3.50000	0.02088	-3.7250	-2.6556E-6
-0.024320	445.67E-9						
1 Displacement Grid 1		27.25000	47.50000	-3.50000	0.02071	-3.7250	-2.5682E-6
-0.023843	436.92E-9						
1 Displacement Grid 1		28.25000	47.50000	-3.50000	0.02048	-3.7250	-2.4617E-6
-0.023253	426.13E-9						
1 Displacement Grid 1		29.25000	47.50000	-3.50000	0.02021	-3.7250	-2.3399E-6
-0.022566	413.54E-9						
1 Displacement Grid 1		30.25000	47.50000	-3.50000	0.01988	-3.7250	-2.2067E-6
-0.021798	399.47E-9						
1 Displacement Grid 1		31.25000	47.50000	-3.50000	0.01951	-3.7250	-2.0658E-6
-0.020965	384.21E-9						
1 Displacement Grid 1		32.25000	47.50000	-3.50000	0.01910	-3.7250	-1.9210E-6
-0.020084	368.07E-9						
1 Displacement Grid 1		33.25000	47.50000	-3.50000	0.01865	-3.7250	-1.7754E-6
-0.019171	351.33E-9						
1 Displacement Grid 1		34.25000	47.50000	-3.50000	0.01816	-3.7250	-1.6319E-6
-0.018240	334.27E-9						
1 Displacement Grid 1		35.25000	47.50000	-3.50000	0.01764	-3.7250	-1.4928E-6
-0.017304	317.13E-9						
1 Displacement Grid 1		36.25000	47.50000	-3.50000	0.01709	-3.7250	-1.3597E-6
-0.016375	300.10E-9						
1 Displacement Grid 1		37.25000	47.50000	-3.50000	0.01652	-3.7250	-1.2340E-6
-0.015462	283.37E-9						
1 Displacement Grid 1		38.25000	47.50000	-3.50000	0.01593	-3.7250	-1.1164E-6
-0.014572	267.08E-9						
1 Displacement Grid 1		39.25000	47.50000	-3.50000	0.01534	-3.7250	-1.0074E-6
-0.013712	251.32E-9						
1 Displacement Grid 1		40.25000	47.50000	-3.50000	0.01474	-3.7250	-907.06E-9
-0.012887	236.19E-9						
1 Displacement Grid 1		41.25000	47.50000	-3.50000	0.01414	-3.7250	-815.35E-9
-0.012098	221.74E-9						

1 Displacement Grid 1	42.25000	47.50000	-3.50000	0.01354	-3.7250	-731.96E-9
-0.011349 208.01E-9						
1 Displacement Grid 1	43.25000	47.50000	-3.50000	0.01295	-3.7250	-656.48E-9
-0.010639 195.01E-9						
1 Displacement Grid 1	44.25000	47.50000	-3.50000	0.01237	-3.7250	-588.40E-9
-0.0099701 182.74E-9						
1 Displacement Grid 1	45.25000	47.50000	-3.50000	0.01180	-3.7250	-527.19E-9
-0.0093407 171.21E-9						
1 Displacement Grid 1	46.25000	47.50000	-3.50000	0.01125	-3.7250	-472.29E-9
-0.0087501 160.38E-9						

### **Results : Consolidation : Displacement Data : Grids**

None

### **Results : Total : Displacement Data : Grids**

None



Units: kN,m

**INPUT DATA**

**SOIL PROFILE**

Stratum no.	Elevation of top of stratum	Left side	Soil types	Right side
1	0.00	1 MG		1 MG
2	-5.30	2 LHGR		2 LHGR
3	-7.70	3 LCF		3 LCF

**SOIL PROPERTIES**

-- Soil type --	Bulk density	Young's Modulus	At rest coeff.	Consol state.	Active limit	Passive limit	Cohesion
No. Description (Datum elev.)	kN/m3	Eh, kN/m2 (dEh/dy)	Ko (dKo/dy)	( Nu ) ( Kac )	Ka	Kp ( Kpc )	kN/m2 ( dc/dy )
1 MG	17.00a	18000	0.562	OC	0.346	3.649	
	19.00b			(0.330)	(0.000)	( 0.000)	
2 LHGR	18.00a	40000	0.515	OC	0.305	4.400	
	20.00b			(0.300)	(0.000)	( 0.000)	
3 LCF	19.00a	37500	1.123	OC	0.346	3.649	0.0d
( -7.70 )	21.00b	( 2800)		(0.310)	(1.340)	( 5.431)	

Note: (a) and (b) are Bulk Densities above and below the water table

**Additional soil parameters associated with Ka and Kp**

Soil type	--- parameters for Ka ---			--- parameters for Kp ---		
	Soil friction	Wall adhesion	Back-fill	Soil friction	Wall adhesion	Back-fill
No. Description	angle	coeff.	angle	angle	coeff.	angle
1 MG	26.00	0.500	0.00	26.00	0.667	0.00
2 LHGR	29.00	0.500	0.00	29.00	0.667	0.00
3 LCF	26.00	0.500	0.00	26.00	0.667	0.00

**GROUND WATER CONDITIONS**

Density of water = 10.00 kN/m3

	Left side	Right side
Initial water table elevation	-4.70	-4.70

Automatic water pressure balancing at toe of wall : No

Water press. profile	Left side				Right side			
Point no.	Elev. m	Piezo elev. m	Water press. kN/m2	Point no.	Elev. m	Piezo elev. m	Water press. kN/m2	
1	1	0.00	0.00	0.0	1	-2.00	-2.00	0.0 WC
2	1	-4.70	-4.70	0.0	1	-4.70	-4.70	0.0 MC

**WALL PROPERTIES**

Type of structure = Fully Embedded Wall  
 Elevation of toe of wall = -10.00  
 Maximum finite element length = 0.60 m  
 Youngs modulus of wall E = 3.4000E+07 kN/m2  
 Moment of inertia of wall I = 2.2500E-03 m4/m run  
 E.I = 76500 kN.m2/m run  
 Yield Moment of wall = Not defined

**STRUTS and ANCHORS**

Prop no.	Prop Elev.	Prop spacing m	Cross-section area sq.m	Youngs modulus kN/m <sup>2</sup>	Free length m	Inclin -ation (degs)	Pre-stress /prop kN	Strut or Anchor	Allow tension ?	L/R
1	0.00	1.00	0.002000	2.000E+08	3.10	0.00	0	Strut	No	R
2	-1.50	1.00	0.002000	2.000E+08	3.10	0.00	0	Strut	No	R
3	-3.40	1.00	0.020000	2.000E+08	3.10	0.00	0	Strut	No	R
4	-3.30	1.00	0.400000	3.400E+07	3.10	0.00	0	Strut	No	R

**SURCHARGE LOADS**

Surch-arge no.	Distance from wall	Length parallel to wall	Width perpend. to wall	Surcharge Near edge	Surcharge Far edge	Equiv. soil type	Partial factor/ Category
1	0.00	0.00(L)	6.80	2.00	0.00	=	N/A 1.00 Var
2	0.00	0.00(L)	6.80	5.50	2.00	=	N/A 1.00 Var

Note: L = Left side, R = Right side

Limit State Categories P/U = Permanent Unfavourable  
P/F = Permanent Favourable  
Var = Variable (unfavourable)

**CONSTRUCTION STAGES**

Construction stage no.	Stage description
1	Apply surcharge no.1 at elevation 0.00
2	Install strut or anchor no.1 at elevation 0.00
3	Apply surcharge no.2 at elevation 0.00
4	Apply water pressure profile no.2 ( Mod. Conserv. )
5	Excavate to elevation 0.00 on RIGHT side Toe of berm at elevation -1.50 Width of top of berm = 0.10 Width of toe of berm = 1.60
6	Install strut or anchor no.2 at elevation -1.50
7	Excavate to elevation -1.50 on RIGHT side
8	Excavate to elevation -1.50 on RIGHT side Toe of berm at elevation -3.50 Width of top of berm = 0.10 Width of toe of berm = 2.10
9	Install strut or anchor no.3 at elevation -3.40
10	Excavate to elevation -3.50 on RIGHT side
11	Install strut or anchor no.4 at elevation -3.30
12	Remove strut or anchor no.3 at elevation -3.40
13	Remove strut or anchor no.2 at elevation -1.50
14	Remove strut or anchor no.1 at elevation 0.00
15	Change EI of wall to 53550 kN.m <sup>2</sup> /m run Allow wall to relax with new modulus value

**FACTORS OF SAFETY and ANALYSIS OPTIONS**

Limit State options: Serviceability Limit State  
All loads and soil strengths are unfactored

Stability analysis:

Method of analysis - Strength Factor method  
Factor on soil strength for calculating wall depth = 1.00

Parameters for undrained strata:

Minimum equivalent fluid density = 5.00 kN/m<sup>3</sup>  
Maximum depth of water filled tension crack = 0.00 m

Bending moment and displacement calculation:

Method - Subgrade reaction model using Influence Coefficients  
Open Tension Crack analysis? - No  
Non-linear Modulus Parameter (L) = 0 m

Boundary conditions:

Length of wall (normal to plane of analysis) = 6.80 m

Width of excavation on Left side of wall = 0.11 m

Width of excavation on Right side of wall = 6.20 m

Distance to rigid boundary on Left side = 7.00 m

Distance to rigid boundary on Right side = 3.10 m

## OUTPUT OPTIONS

Stage no.	Stage description	Displacement Bending mom. Shear force	Active, Passive pressures	Graph. output
1	Apply surcharge no.1 at elev. 0.00	Yes	Yes	Yes
2	Install prop no.1 at elev. 0.00	Yes	Yes	Yes
3	Apply surcharge no.2 at elev. 0.00	Yes	Yes	Yes
4	Apply water pressure profile no.2	Yes	Yes	Yes
5	Excav. to elev. 0.00 on RIGHT side	Yes	Yes	Yes
6	Install prop no.2 at elev. -1.50	Yes	Yes	Yes
7	Excav. to elev. -1.50 on RIGHT side	Yes	Yes	Yes
8	Excav. to elev. -1.50 on RIGHT side	Yes	Yes	Yes
9	Install prop no.3 at elev. -3.40	Yes	Yes	Yes
10	Excav. to elev. -3.50 on RIGHT side	Yes	Yes	Yes
11	Install prop no.4 at elev. -3.30	Yes	Yes	Yes
12	Remove prop no.3 at elev. -3.40	Yes	Yes	Yes
13	Remove prop no.2 at elev. -1.50	Yes	Yes	Yes
14	Remove prop no.1 at elev. 0.00	Yes	Yes	Yes
15	Change EI of wall to 53550kN.m2/m run	Yes	Yes	Yes
*	Summary output	Yes	-	Yes

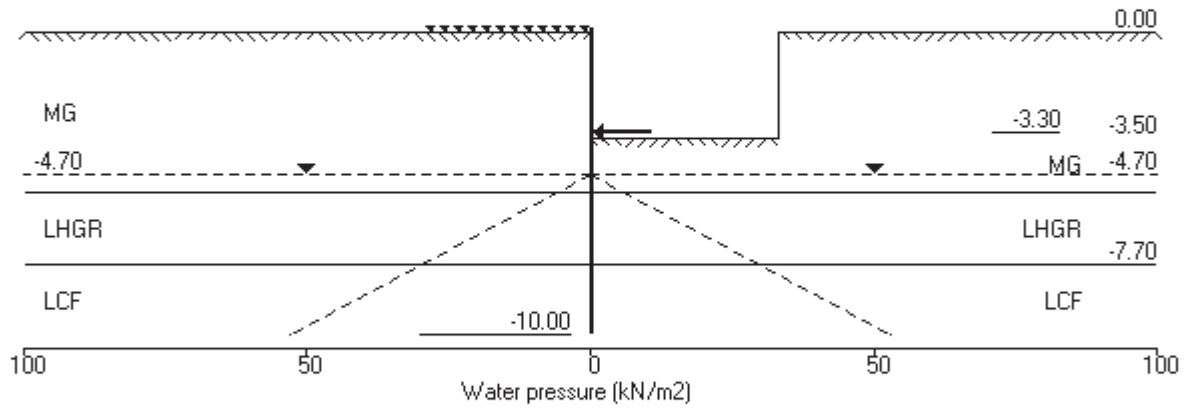
Program WALLAP - Copyright (C) 2020 by DL Borin, distributed by GEOSOLVE  
150 St. Alphonsus Road, London SW4 7BW, UK [www.geosolve.co.uk](http://www.geosolve.co.uk)

SOILS LIMITED  
Program: WALLAP Version 6.07 Revision A55.B74.R58  
Licensed from GEOSOLVE  
Data filename/Run ID: 18860\_Wallap\_SLS\_cantilever  
28 Charlotte Street  
Please modify / add

| Sheet No.  
| Job No. 18860  
| Made by : DVT  
| Date:22-06-2023  
| Checked :

Units: kN,m

Stage No.15 Change EI of wall to 53550kN.m2/m run



Units: kN,m

Stage No. 15 Change EI of wall to 53550 kN.m2/m run  
 Allow wall to relax with new modulus value

**STABILITY ANALYSIS of Fully Embedded Wall according to Strength Factor method**  
 Factor of safety on soil strength

Stage No.	Ground level Act.	level Pass.	Prop Elev.	FoS for toe elev. = -10.00		Toe elev. for FoS = 1.000		Direction of failure
				Factor of Safety	Moment at elev.	Toe elev.	Wall Penetration	
15	0.00	-3.50	-3.30	Conditions not suitable for FoS calc.				

**BENDING MOMENT and DISPLACEMENT ANALYSIS of Fully Embedded Wall**

**Analysis options**

Length of wall perpendicular to section = 6.80m  
 Subgrade reaction model - Boussinesq Influence coefficients  
 Soil deformations are elastic until the active or passive limit is reached  
 Open Tension Crack analysis - No

Rigid boundaries: Left side 7.00 from wall  
 Right side 3.10 from wall

**Limit State: Serviceability Limit State**

Calculated Bending Moments and Prop Forces are to be multiplied by a factor of 1.35 to obtain values for structural design. See summary for factored values.

\*\*\* Convergence failure - Out of balance shear force at elevation -10.00 is 1.630% of the maximum shear force. see Note.

Node no.	Y coord	Nett pressure kN/m2	Wall disp. m	Wall rotation rad.	Shear force kN/m	Bending moment kN.m/m	Prop forces kN/m	EI of wall kN.m2/m
1	0.00	0.69	0.003	9.28E-04	0.0	0.0		53550
2	-0.60	4.22	0.003	9.25E-04	1.5	0.5		53550
3	-1.05	6.86	0.002	9.16E-04	4.0	1.6		53550
4	-1.50	9.50	0.002	8.92E-04	7.7	4.1		53550
5	-1.95	12.13	0.002	8.39E-04	12.5	8.5		53550
6	-2.40	14.81	0.001	7.38E-04	18.6	15.5		53550
7	-2.85	22.24	0.001	5.67E-04	26.9	25.3		53550
8	-3.30	28.75	0.001	2.95E-04	38.4	39.6	-84.6	53550
		28.75	0.001	2.95E-04	-46.2	39.6		
9	-3.40	29.95	0.001	2.26E-04	-43.3	35.0		53550
10	-3.50	31.07	0.001	1.64E-04	-40.2	30.8		53550
11	-4.10	21.54	0.001	-6.81E-05	-24.5	11.1		53550
12	-4.70	20.50	0.001	-1.28E-04	-11.8	-0.2		53550
13	-5.30	19.12	0.001	-1.03E-04	0.0	-4.2		53550
		3.54	0.001	-1.03E-04	0.0	-4.2		
14	-5.65	2.29	0.001	-7.63E-05	1.1	-4.3		53550
15	-6.00	1.25	0.001	-4.98E-05	1.7	-4.1		53550
16	-6.60	-0.02	0.001	-9.96E-06	2.1	-3.4		53550
17	-7.15	-0.70	0.001	1.92E-05	1.9	-2.7		53550
18	-7.70	-0.97	0.001	4.25E-05	1.4	-2.2		53550
		1.38	0.001	4.25E-05	1.4	-2.2		
19	-8.05	0.75	0.001	5.48E-05	1.8	-1.9		53550
20	-8.40	0.24	0.001	6.48E-05	1.9	-1.5		53550
21	-9.00	-0.51	0.001	7.59E-05	1.9	-0.7		53550
22	-9.50	-1.14	0.001	7.97E-05	1.4	-0.2		53550
23	-10.00	-1.64	0.001	8.05E-05	0.8	0.0		---
At elev. -3.30			Prop force =		84.6 kN/m run			

(continued)

Stage No.15 Change EI of wall to 53550 kN.m2/m run  
 Allow wall to relax with new modulus value

		LEFT side						
Node no.	Y coord	Water press.	Effective stresses			Earth pressure	Total earth pressure	Coeff. of subgrade reaction
			Vertic -al	Active limit	Passive limit			
		kN/m2	kN/m2	kN/m2	kN/m2	kN/m2	kN/m2	kN/m3
1	0.00	0.00	2.00	0.69	7.30	0.69	0.69a	9019
2	-0.60	0.00	12.19	4.22	44.50	4.22	4.22a	9019
3	-1.05	0.00	19.82	6.86	72.34	6.86	6.86a	9019
4	-1.50	0.00	27.43	9.50	100.10	9.50	9.50a	9019
5	-1.95	0.00	35.02	12.13	127.78	12.13	12.13a	9019
6	-2.40	0.00	42.59	14.75	155.39	14.81	14.81	9019
7	-2.85	0.00	50.14	17.36	182.96	22.24	22.24	9019
8	-3.30	0.00	57.69	19.98	210.51	28.75	28.75	10057
9	-3.40	0.00	59.37	20.56	216.62	29.95	29.95	10057
10	-3.50	0.00	61.04	21.14	222.74	31.07	31.07	10057
11	-4.10	0.00	71.10	24.62	259.46	37.09	37.09	10057
12	-4.70	0.00	81.17	28.11	296.19	42.45	42.45	10057
13	-5.30	6.00	86.45	29.93	315.44	45.00	51.00	6655
		6.00	86.45	26.37	380.37	36.89	42.89	14378
14	-5.65	9.50	89.88	27.41	395.48	38.24	47.74	14378
15	-6.00	13.00	93.32	28.46	410.60	39.68	52.68	14378
16	-6.60	19.00	98.80	30.14	434.74	42.37	61.37	14378
17	-7.15	24.50	104.64	31.91	460.40	45.07	69.57	14378
18	-7.70	30.00	110.06	33.57	484.28	47.95	77.95	14378
		30.00	110.06	38.11	401.61	114.87	144.87	13602
19	-8.05	33.50	113.87	39.43	415.51	119.09	152.59	13957
20	-8.40	37.00	117.68	40.75	429.41	123.37	160.37	14313
21	-9.00	43.00	124.22	43.01	453.27	130.75	173.75	37817
22	-9.50	48.00	129.67	44.90	473.17	136.87	184.87	39104
23	-10.00	53.00	135.13	46.79	493.09	143.05	196.05	40391

		RIGHT side						
Node no.	Y coord	Water press.	Effective stresses			Earth pressure	Total earth pressure	Coeff. of subgrade reaction
			Vertic -al	Active limit	Passive limit			
		kN/m2	kN/m2	kN/m2	kN/m2	kN/m2	kN/m2	kN/m3
1	0.00	0.00	0.00	0.00	0.00	0.00	0.00	0.0
2	-0.60	0.00	0.00	0.00	0.00	0.00	0.00	0.0
3	-1.05	0.00	0.00	0.00	0.00	0.00	0.00	0.0
4	-1.50	0.00	0.00	0.00	0.00	0.00	0.00	0.0
5	-1.95	0.00	0.00	0.00	0.00	0.00	0.00	0.0
6	-2.40	0.00	0.00	0.00	0.00	0.00	0.00	0.0
7	-2.85	0.00	0.00	0.00	0.00	0.00	0.00	0.0
8	-3.30	0.00	0.00	0.00	0.00	0.00	0.00	0.0
9	-3.40	0.00	0.00	0.00	0.00	0.00	0.00	0.0
10	-3.50	0.00	0.00	0.00	0.00	0.00	0.00	0.0
		0.00	0.00	0.00	0.00	0.00	0.00	22875
11	-4.10	0.00	10.22	3.54	37.30	15.55	15.55	13879
12	-4.70	0.00	20.58	7.12	75.08	21.95	21.95	13879
13	-5.30	6.00	26.36	9.13	96.19	25.88	31.88	10127
		6.00	26.36	8.04	115.99	33.35	39.35	21657
14	-5.65	9.50	30.22	9.22	132.96	35.96	45.46	21657
15	-6.00	13.00	34.18	10.43	150.40	38.43	51.43	21657
16	-6.60	19.00	41.21	12.57	181.33	42.40	61.40	21657
17	-7.15	24.50	47.89	14.61	210.73	45.76	70.26	21657
18	-7.70	30.00	54.76	16.70	240.97	48.92	78.92	21657
		30.00	54.76	18.96	199.83	113.49	143.49	20555
19	-8.05	33.50	59.56	20.62	217.34	118.35	151.85	21092

(continued)

Stage No.15 Change EI of wall to 53550 kN.m2/m run  
 Allow wall to relax with new modulus value

<u>Node no.</u>	<u>Y coord</u>	<u>Water press.</u>	<u>Effective stresses</u>				<u>Total earth pressure</u>	<u>Coeff. of subgrade reaction</u>
			<u>Vertic -al</u>	<u>Active limit</u>	<u>Passive limit</u>	<u>Earth pressure</u>		
		<u>kN/m2</u>	<u>kN/m2</u>	<u>kN/m2</u>	<u>kN/m2</u>	<u>kN/m2</u>	<u>kN/m3</u>	
20	-8.40	37.00	64.41	22.30	235.02	123.13	160.13	21630
21	-9.00	43.00	72.78	25.20	265.58	131.25	174.25	47490
22	-9.50	48.00	79.80	27.63	291.19	138.01	186.01	49107
23	-10.00	53.00	86.83	30.06	316.83	144.69	197.69	50723

Note: 12.13 a Soil pressure at active limit  
 123.45 p Soil pressure at passive limit

Units: kN,m

**Summary of results**

**LIMIT STATE PARAMETERS**

Limit State: Serviceability Limit State  
 All loads and soil strengths are unfactored

**STABILITY ANALYSIS of Fully Embedded Wall according to Strength Factor method**  
 Factor of safety on soil strength

<u>Stage</u> <u>No.</u>	<u>Ground level</u>		<u>Prop</u> <u>Elev.</u>	<u>FoS for toe</u> <u>elev. = -10.00</u>		<u>Toe elev. for</u> <u>FoS = 1.000</u>		<u>Direction</u> <u>of</u> <u>failure</u>
	<u>Act.</u>	<u>Pass.</u>		<u>Factor</u> <u>of</u> <u>Safety</u>	<u>Moment</u> <u>equilib.</u> <u>at elev.</u>	<u>Toe</u> <u>elev.</u>	<u>Wall</u> <u>Penetr</u> <u>-ation</u>	
1	0.00	0.00	Cant.	<u>Conditions not suitable for FoS calc.</u>				
2	0.00	0.00		No analysis at this stage				
3	0.00	0.00	0.00	<u>Conditions not suitable for FoS calc.</u>				
4	0.00	0.00	0.00	<u>Conditions not suitable for FoS calc.</u>				
5	0.00	0.00	0.00	23.656	n/a	-0.90	0.90	L to R
6	0.00	0.00		No analysis at this stage				
7	0.00	-1.50		<u>More than one prop. No FoS calc.</u>				
8	0.00	-1.50		<u>More than one prop. No FoS calc.</u>				
9	0.00	-1.50		No analysis at this stage				
10	0.00	-3.50		<u>More than one prop. No FoS calc.</u>				
11	0.00	-3.50		No analysis at this stage				
12	0.00	-3.50		<u>More than one prop. No FoS calc.</u>				
13	0.00	-3.50		<u>More than one prop. No FoS calc.</u>				
14	0.00	-3.50	-3.30	<u>Conditions not suitable for FoS calc.</u>				
15	0.00	-3.50	-3.30	<u>Conditions not suitable for FoS calc.</u>				



SOILS LIMITED  
 Program: WALLAP Version 6.07 Revision A55.B74.R58  
 Licensed from GEOSOLVE  
 Data filename/Run ID: 18860\_Wallap\_SLS\_cantilever  
 28 Charlotte Street  
 Please modify / add

| Sheet No.  
 | Job No. 18860  
 | Made by : DVT  
 | Date:22-06-2023  
 | Checked :

-----  
 Units: kN,m

**Summary of results**

**BENDING MOMENT and DISPLACEMENT ANALYSIS of Fully Embedded Wall**

**Analysis options**

Length of wall perpendicular to section = 6.80m  
 Subgrade reaction model - Boussinesq Influence coefficients  
 Soil deformations are elastic until the active or passive limit is reached  
 Open Tension Crack analysis - No

Rigid boundaries: Left side 7.00 from wall  
 Right side 3.10 from wall

**Limit State: Serviceability Limit State**

Calculated Bending Moments and Prop Forces have been multiplied by a factor of 1.35 to obtain values for structural design.

**Bending moment, shear force and displacement envelopes**

Node no.	Y coord	Displacement		Bending moment				Shear force			
		max.	min.	Calculated		Factored		Calculated		Factored	
				max.	min.	max.	min.	max.	min.	max.	min.
		m	m	kN.m/m		kN.m/m		kN/m		kN/m	
1	0.00	0.003	-0.000	0	-0	0	-0	0	-11	0	-15
2	-0.60	0.003	-0.000	1	-6	1	-8	3	-9	4	-12
3	-1.05	0.002	-0.000	3	-9	4	-12	7	-6	9	-8
4	-1.50	0.002	-0.000	7	-11	9	-15	12	-24	16	-32
5	-1.95	0.002	-0.000	8	-10	11	-14	13	-17	17	-22
6	-2.40	0.001	-0.000	15	-9	21	-12	19	-9	25	-12
7	-2.85	0.001	-0.000	26	-11	34	-15	28	-4	37	-6
8	-3.30	0.001	0.000	40	-12	54	-16	39	-46	53	-63
9	-3.40	0.001	0.000	36	-12	48	-16	22	-43	30	-59
10	-3.50	0.001	0.000	31	-11	42	-15	3	-40	4	-54
11	-4.10	0.001	0.000	12	-11	16	-14	5	-25	6	-33
12	-4.70	0.001	0.000	0	-13	0	-18	7	-12	9	-17
13	-5.30	0.001	0.000	0	-10	0	-14	10	-1	14	-1
14	-5.65	0.001	0.000	0	-7	0	-10	9	0	12	0
15	-6.00	0.001	0.000	1	-5	2	-7	7	0	9	0
16	-6.60	0.001	0.000	2	-4	3	-5	4	0	6	0
17	-7.15	0.001	0.000	3	-3	3	-4	2	-0	3	-0
18	-7.70	0.001	0.000	2	-3	3	-4	2	-0	2	-1
19	-8.05	0.001	0.000	2	-2	2	-3	2	-1	3	-1
20	-8.40	0.001	0.000	1	-2	2	-2	2	-0	3	-1
21	-9.00	0.001	0.000	1	-1	1	-1	2	-0	3	-0
22	-9.50	0.001	0.000	0	-0	0	-0	2	-0	2	-0
23	-10.00	0.001	0.000	0	0	0	0	1	-0	1	-0

**Summary of results (continued)**

Calculated Bending Moments and Prop Forces have been multiplied by a factor of 1.35 to obtain values for structural design.

**Maximum and minimum bending moment and shear force at each stage**

Stage no.	Bending moment						Shear force					
	Calculated				Factored		Calculated				Factored	
	max.	elev.	min.	elev.	max.	min.	max.	elev.	min.	elev.	max.	min.
	kN.m/m		kN.m/m			kN/m		kN/m		kN/m		kN/m
1	0	-4.70	-0	-8.40	0	-0	0	0.00	-0	-7.70	0	-0
2	No calculation at this stage											
3	0	-6.60	-1	-1.95	0	-1	0	-5.30	-1	0.00	1	-1
4	0	-6.60	-1	-1.95	0	-1	0	-5.30	-1	0.00	1	-1
5	0	-6.60	-1	-1.05	0	-1	1	-5.30	-2	0.00	1	-3
6	No calculation at this stage											
7	5	-1.50	-9	-3.50	7	-12	11	-1.50	-16	-1.50	15	-22
8	6	-1.50	-12	-3.30	8	-16	11	-1.50	-24	-1.50	15	-32
9	No calculation at this stage											
10	7	-1.50	-12	-4.70	9	-17	22	-3.40	-28	-3.40	30	-38
11	No calculation at this stage											
12	7	-1.50	-13	-4.70	9	-18	21	-3.30	-29	-3.30	28	-40
13	14	-3.30	-11	-1.50	19	-15	35	-3.30	-34	-3.30	47	-46
14	40	-3.30	-5	-5.65	54	-6	39	-3.30	-46	-3.30	53	-63
15	40	-3.30	-4	-5.65	53	-6	38	-3.30	-46	-3.30	52	-62

**Maximum and minimum displacement at each stage**

Stage no.	Displacement				Stage description
	maximum	elev.	minimum	elev.	
	m		m		
1	0.000	-8.05	-0.000	0.00	Apply surcharge no.1 at elev. 0.00
2	No calculation at this stage				
3	0.000	-2.85	0.000	0.00	Install prop no.1 at elev. 0.00
4	0.000	-2.85	0.000	0.00	Apply surcharge no.2 at elev. 0.00
5	0.000	-2.40	0.000	0.00	Apply water pressure profile no.2
6	Excav. to elev. 0.00 on RIGHT side				
7	Install prop no.2 at elev. -1.50				
8	0.001	-4.10	0.000	0.00	Excav. to elev. -1.50 on RIGHT side
9	0.001	-4.10	0.000	0.00	Excav. to elev. -1.50 on RIGHT side
10	Install prop no.3 at elev. -3.40				
11	0.001	-5.65	-0.000	0.00	Excav. to elev. -3.50 on RIGHT side
12	Install prop no.4 at elev. -3.30				
13	0.001	-5.30	-0.000	0.00	Remove prop no.3 at elev. -3.40
14	0.001	-5.65	0.000	0.00	Remove prop no.2 at elev. -1.50
15	0.003	0.00	0.000	0.00	Remove prop no.1 at elev. 0.00
15	0.003	0.00	0.000	0.00	Change EI of wall to 53550kN.m2/m run

**Summary of results (continued)**

Calculated Bending Moments and Prop Forces have been multiplied by a factor of 1.35 to obtain values for structural design.

**Prop forces at each stage (horizontal components)**

Stage no.	Prop no. 1 at elev. 0.00			Prop no. 2 at elev.-1.50			Prop no. 3 at elev.-3.40		
	Calculated kN per m run	Factored kN per prop	Factored kN per prop	Calculated kN per m run	Factored kN per prop	Factored kN per prop	Calculated kN per m run	Factored kN per prop	Factored kN per prop
3	1	1	1	---	---	---	---	---	---
4	1	1	1	---	---	---	---	---	---
5	2	2	3	---	---	---	---	---	---
7	1	1	1	27	27	37	---	---	---
8	0	0	0	35	35	47	---	---	---
10	slack	slack	slack	31	31	42	50	50	68
12	slack	slack	slack	30	30	40	---	---	---
13	11	11	15	---	---	---	---	---	---

Stage no.	Prop no. 4 at elev.-3.30		
	Calculated kN per m run	Factored kN per prop	Factored kN per prop
12	50	50	68
13	69	69	93
14	86	86	115
15	85	85	114

\*\*\* Convergence errors have occurred in at least one Construction Stage. The errors are cumulative, and the results of all stages must be inspected for significant out of balance moment or shear at the toe of the wall.

Failure of the iterative procedure to converge to an equilibrium solution may be due to a very high ratio of soil stiffness to wall stiffness. The data should be reviewed to see if realistic values have been specified

Out of balance shear forces.

<u>Percentage Error</u>	<u>Interpretation</u>
< 2%	Generally acceptable
2% to 4%	Use with caution
> 4%	Should not be used

Units: kN,m

Bending moment, shear force, displacement envelopes

