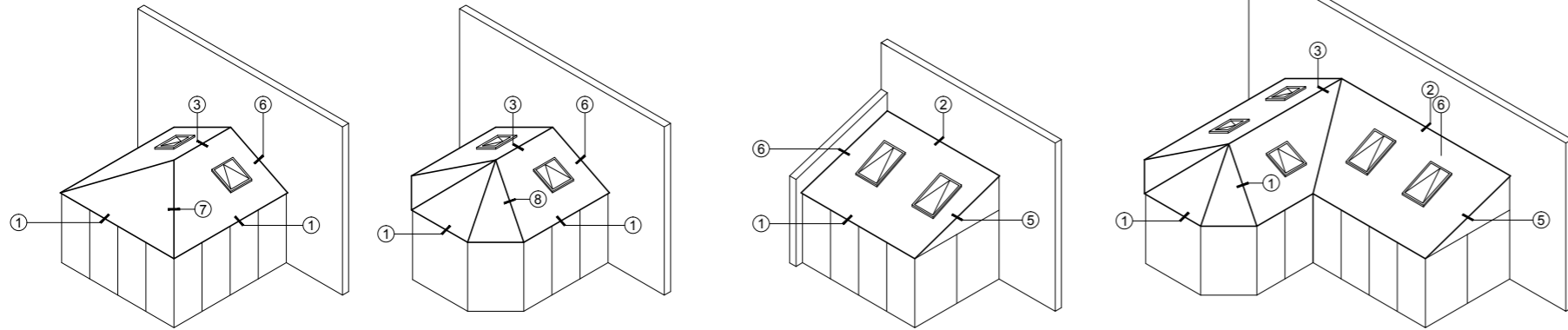


KEY

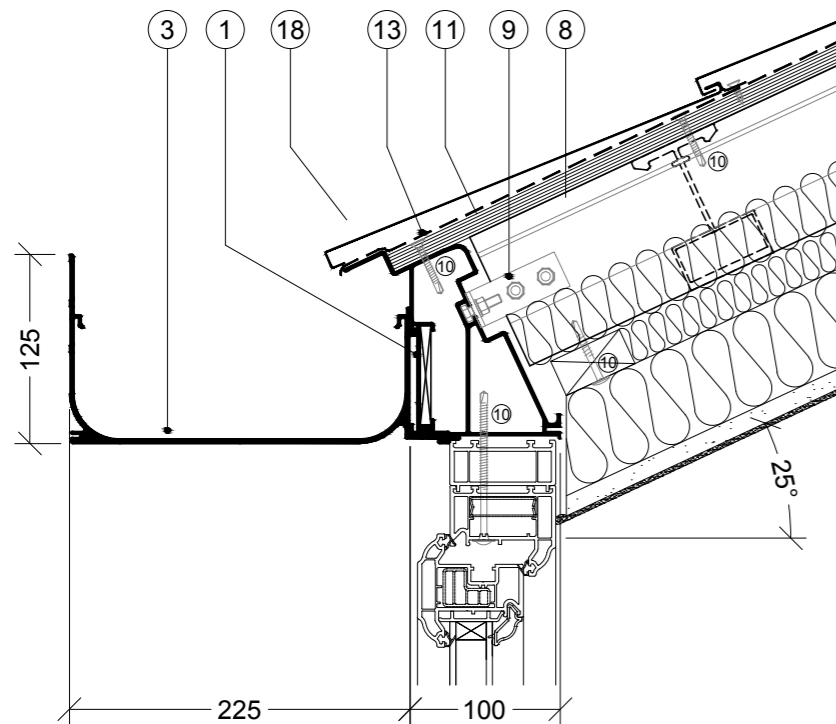


LEGEND

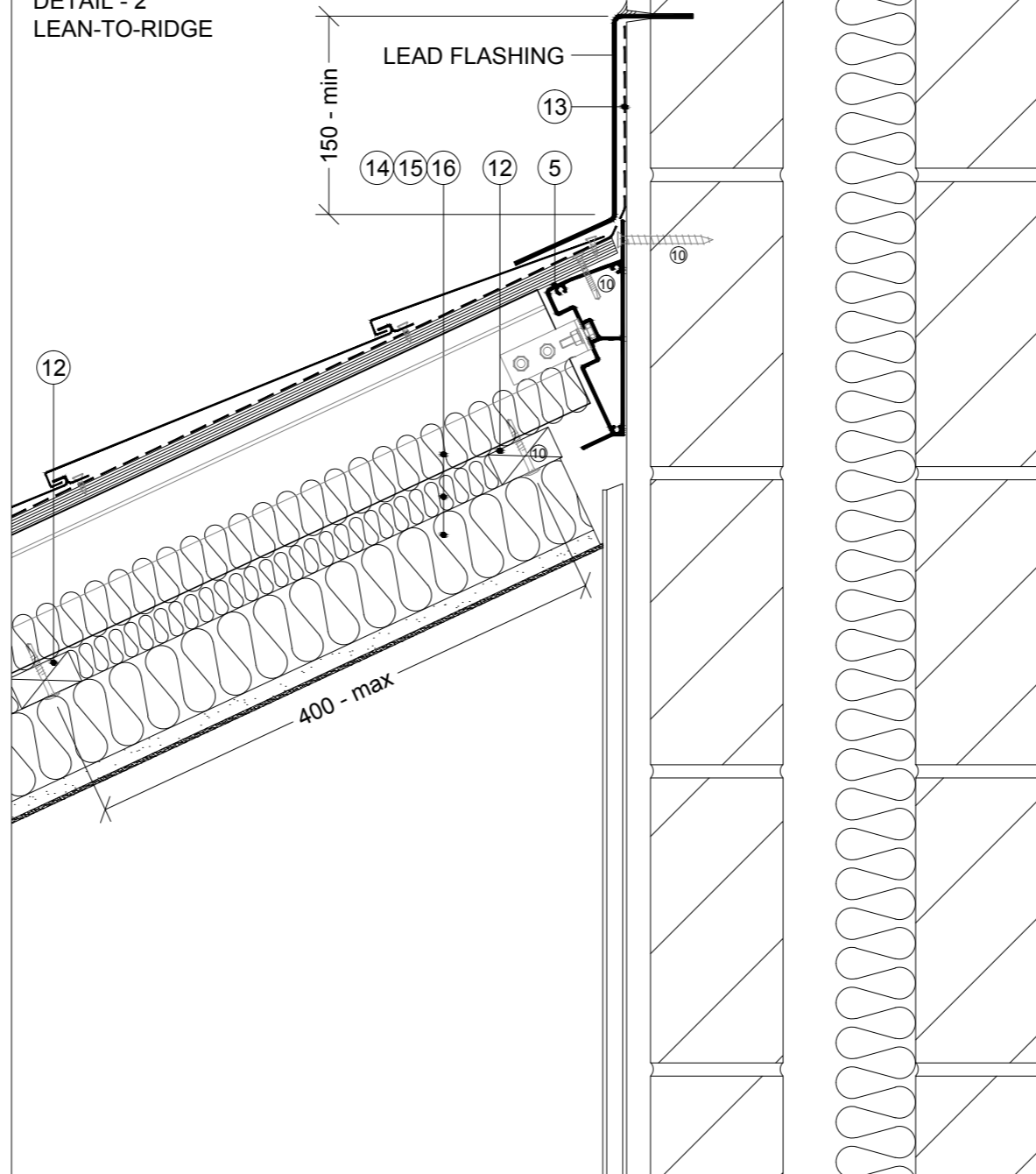
GUARDIAN ROOF SYSTEM PROFILES & ACCESSORIES

- | | |
|--------------------------------|-----------------------------------|
| 1. RINGBEAM | 11. PLYWOOD SHEETS |
| 2. RING BEAM ANGLE | 12. TREATED TIMBER BATTEN 25*50mm |
| 3. BOX GUTTER | 13. VAPOUR PERMEABLE UNDERLAY |
| 4. VICTORIAN / EDWARDIAN RIDGE | 14. 25mm INSULATION BOARD |
| 5. LEAN-TO RIDGE | 15. 40mm INSULATION BOARD |
| 6. VICTORIAN HIP | 16. 72mm INSULATED PLASTERBOARD |
| 7. GEORGIAN HIP | 17. WATERCOURSE |
| 8. RAFTER/GABLE | 18. ROOF TILE |
| 9. CLEAT | 19. RIDGE TILE |
| 10. SCREW FIXINGS | 20. FOAM TAPE |

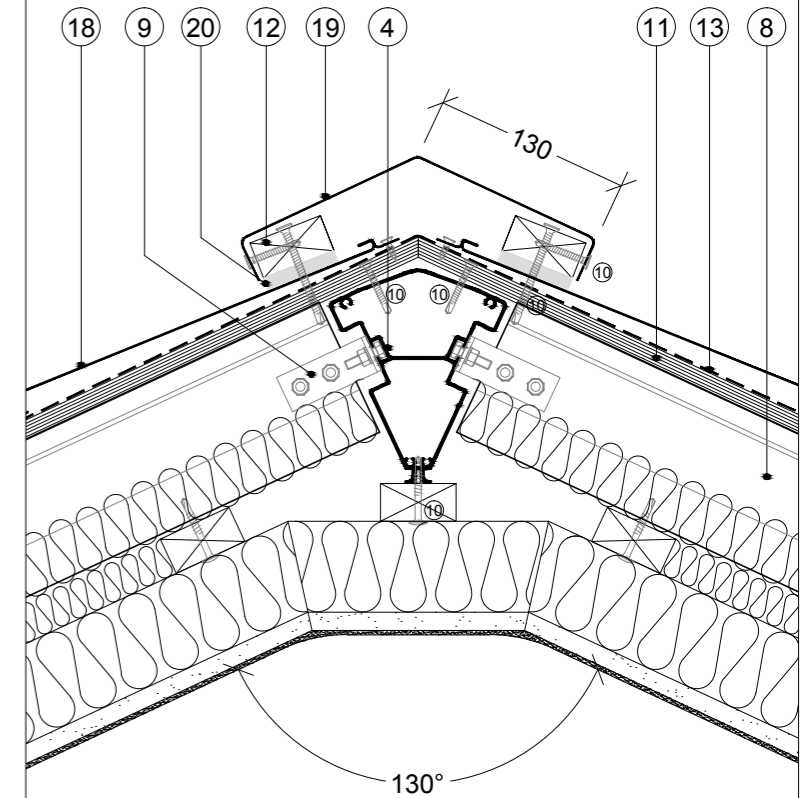
DETAIL - 1
RINGBEAM & BOX GUTTER



DETAIL - 2
LEAN-TO-RIDGE



DETAIL - 3
VICTORIAN / EDWARDIAN RIDGE



© The information on this page is copyrighted, patented, or owned by Celuplast.

This drawing must not be reproduced in whole or in part without the written permission of Celuplast, and then only with the Celuplast logo attached. All information subject to change without notice.

The information contained in this document is accurate at time of going to print. Celuplast Ltd reserve the right to change any details without notice in order to improve the product. In order to avoid confusion clients should check that the document is the most up to date copy.



Tel: 0121 356 3376 Fax: 0121 344 3816
89 Brookvale Road, Witton, Birmingham, B6 7AR
martin.bishop@abcell.co.uk | paul.ford@abcell.co.uk
www.guardian-warmroof.co.uk

DRAWING DESCRIPTION:
RINGBEAM, LEAN-TO-RIDGE & RIDGE

DATE: 26-Nov-12

CAD REF: GWR-00.DWG

DWG: GWR-01

SCALE: 1 : 5 @ A3

PROJECT:

REV:
-