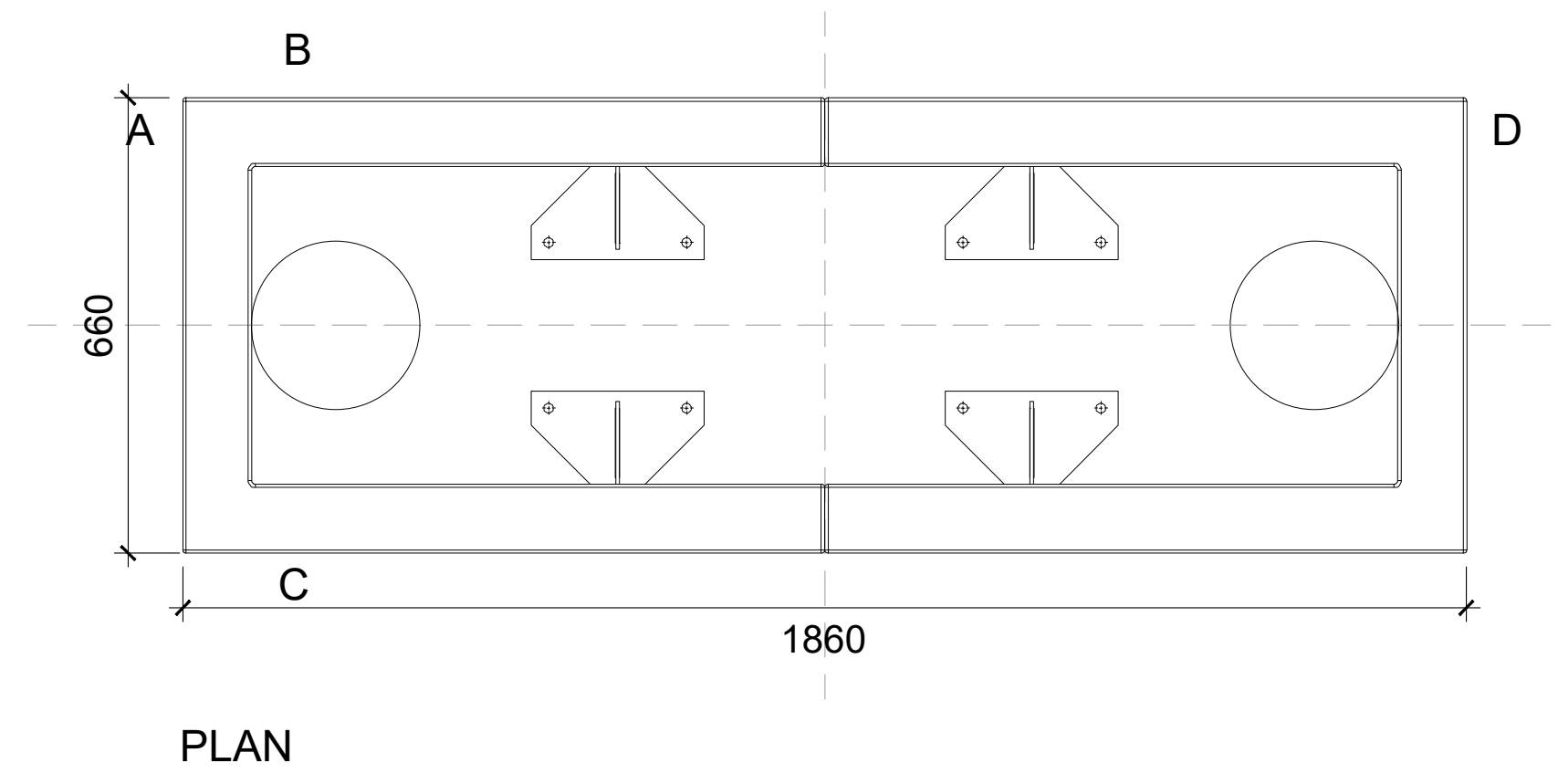
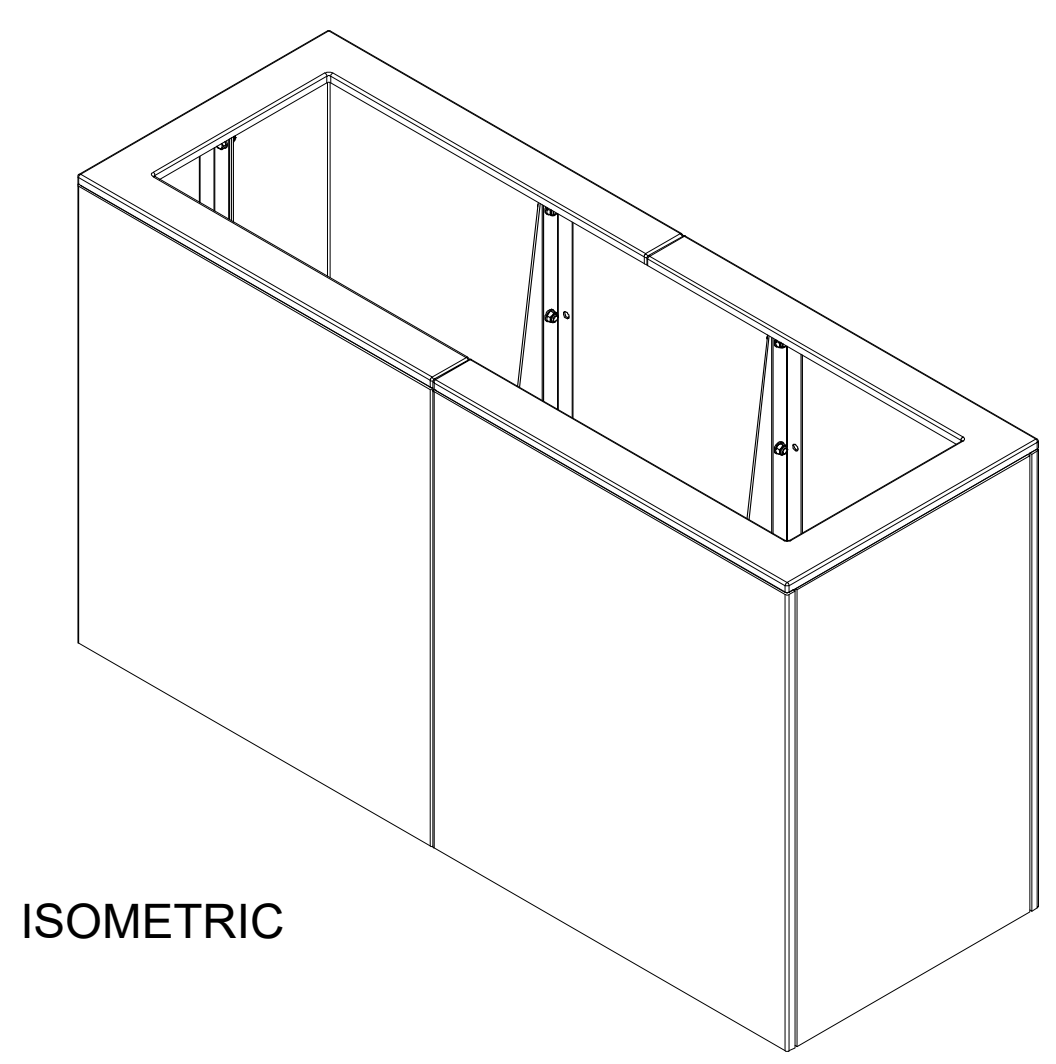
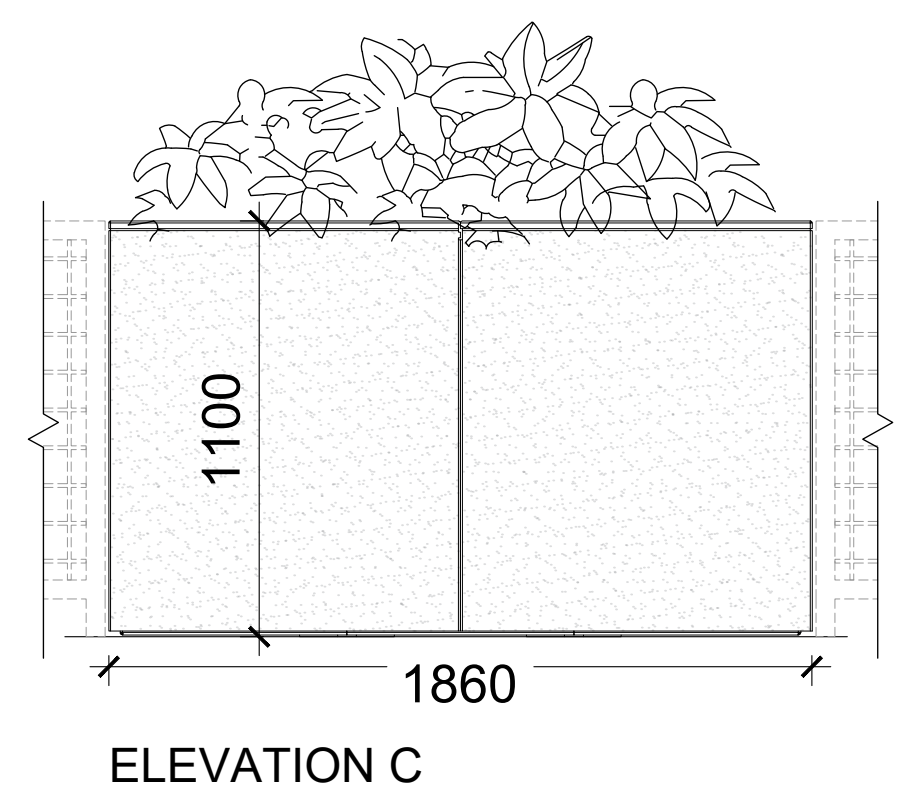
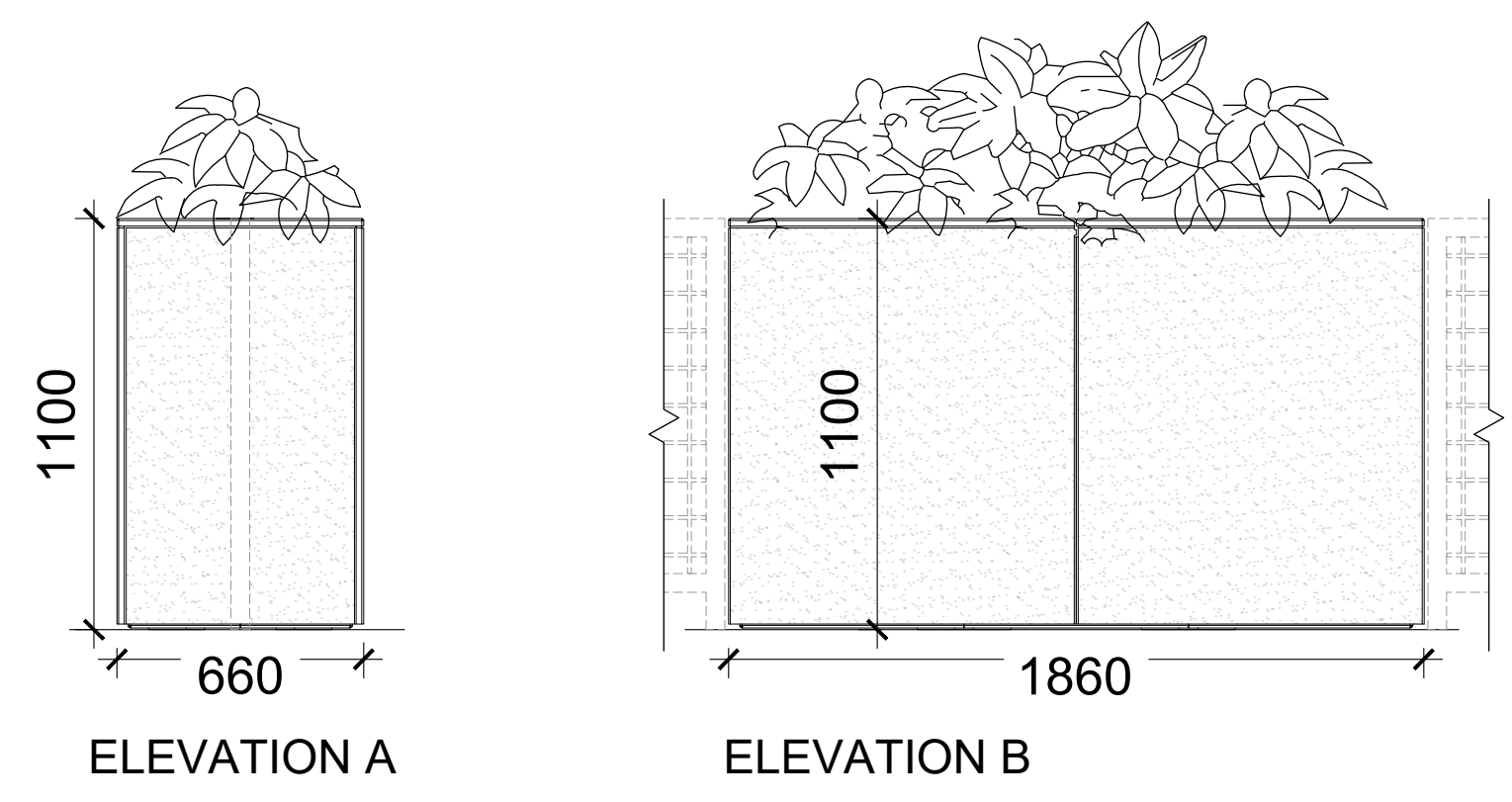


Do not scale off this drawing. All dimensions to be checked on site prior to manufacture and construction. This drawing is the property of Just-H Architects and should not be reproduced without permission. All discrepancies to be brought to the attention of the architect immediately. This drawing to be read in conjunction with the specification / bill of quantities and related drawings.

REVISION  
- FIRST ISSUE

10.03.23 HK



ISOMETRIC

PLAN

JD WETHERSPOON PLC	client
THE BARREL VAULT, ST PANCRAS LONDON, N1C 4QP	project
PROPOSED PLANTER DRAWINGS	title
JDW116	job No.
AD.01/D	dwg No.
1:50 , 1:20 @ A2	scale
HK	drawn

