



reis design
The Old Registry
20 Amersham Hill
High Wycombe
Buckinghamshire
HP13 6NZ
T 020 7700 7677
F 020 7700 3921
info@reis-design.co.uk

Notes:

1. Contractor to ensure Structural Stability of Fixture
2. Contractor to ensure all works are compliant with Building Regulations
3. Contractor to take measured site survey to verify site dimensions & conditions
4. Contractor to provide Joinery setting-out details for approval prior to manufacture

Finishes Key

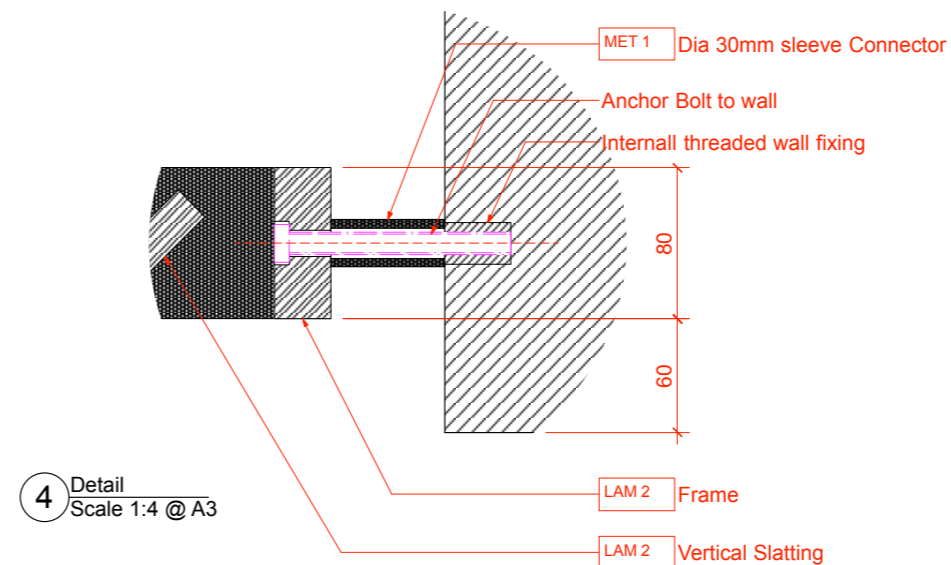
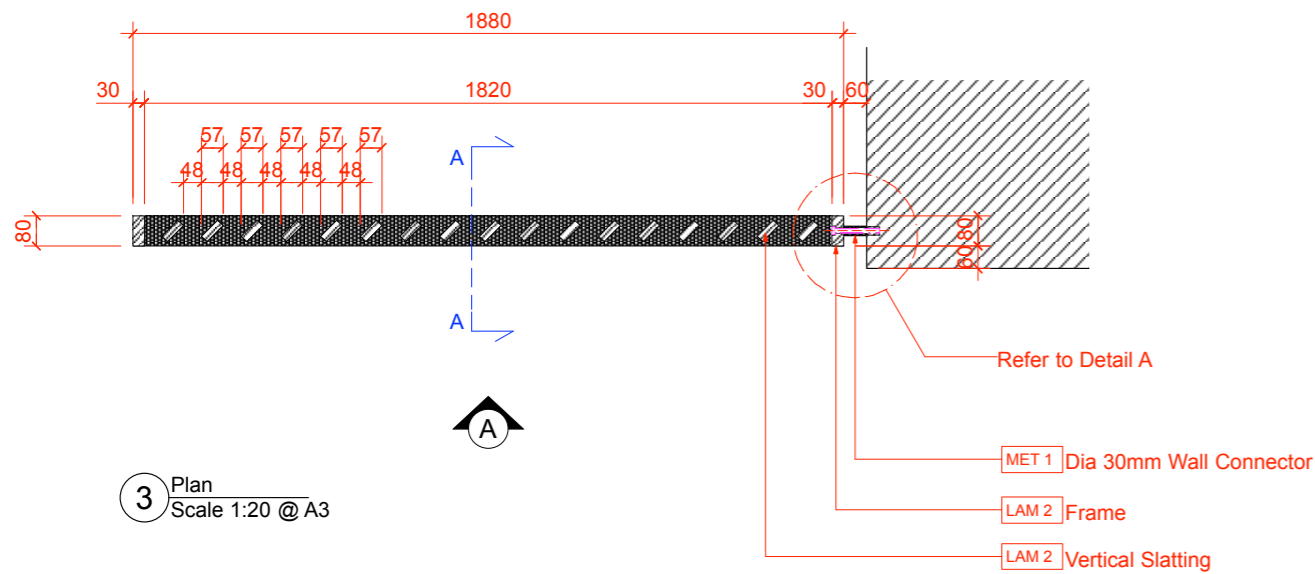
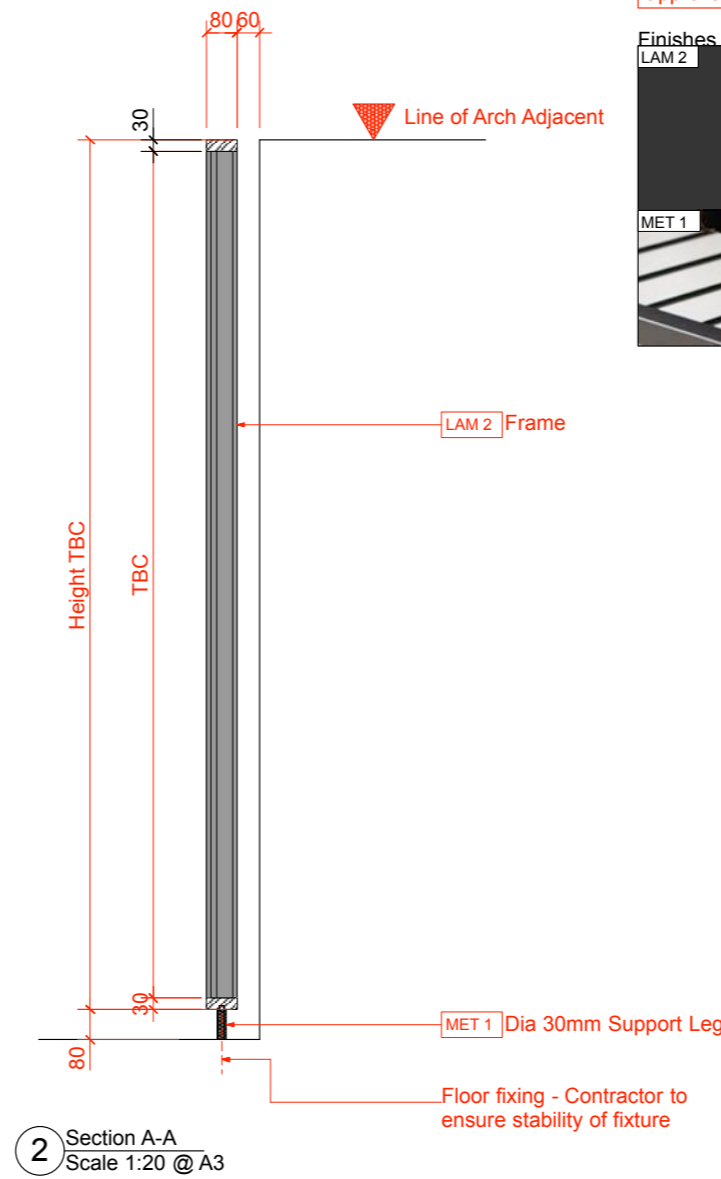
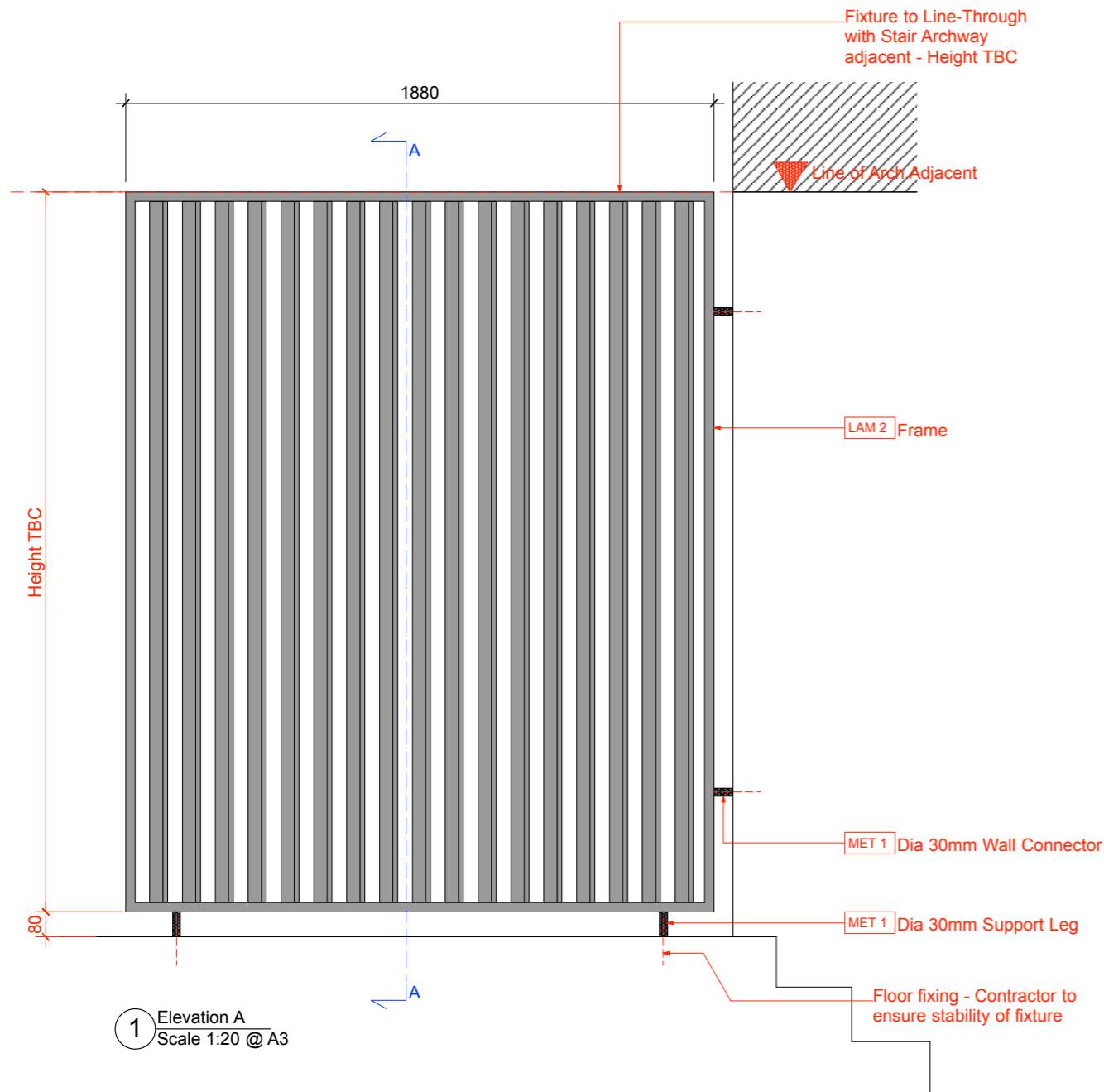
LAM 2	Type: Laminate Finish Ref: U961 PT - Graphite Grey Finish: Perfect Sense Top matt (PT) Supplier: www.EGGER.com Notes: Contractor to ensure minimum Fire resistance is achieved Contractor to provide samples to Reis Design for Review & approval prior to installation Location: Plinth
MET 1	Type: Mild Steel Size: TBC Finish: Powdercoat - RAL 7021 Notes: Contractor to provide material sample to Reis design for approval prior to manufacture Contractor to verify structural stability of unit

NOTES:

These designs remain the property of Reis Design LTD and cannot be copied, reproduced, retained or disclosed to any unauthorised person without written consent.

Do Not Scale This Drawing.

Contractors must verify all dimensions on site before any work is commenced. Any discrepancies to be notified to Reis straight away.



REVISION NOTES

A	Fixing Detail added	19.5.23
---	---------------------	---------

CLIENT APPROVAL ISSUE	CONSTRUCTION ISSUE
☒	☐

PROJECT
40 Roslyn Hill
Hampstead,
London,
NW3 1NL

DRAWING TITLE
Pedicure Screen

CLIENT
Dror Vakrat

DATE 6.7.2022	SCALE 1:20 @ A3
-------------------------	---------------------------

DRAWN BY RE	REVISION A
-----------------------	----------------------

JOB NUMBER 1396	DRAWING NUMBER 1396-040
---------------------------	-----------------------------------