

**Existing Window - EW04**

**Location - Kitchen**

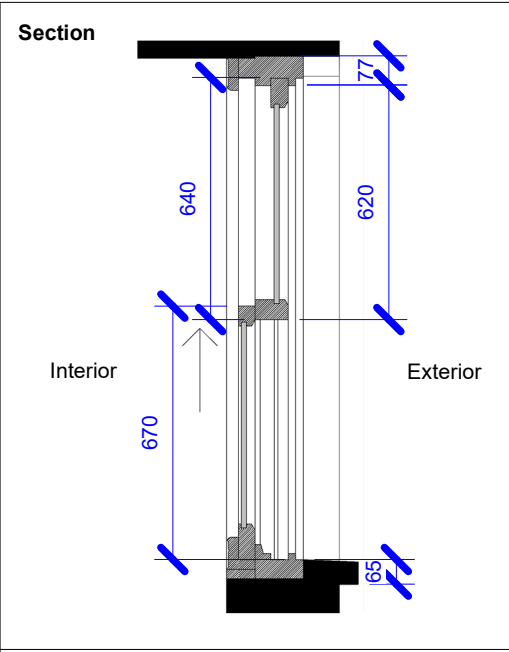
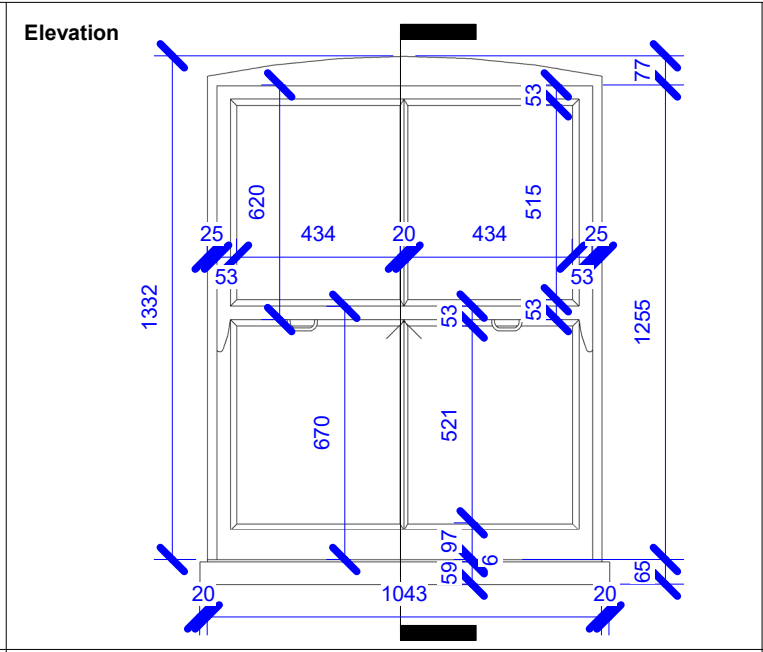
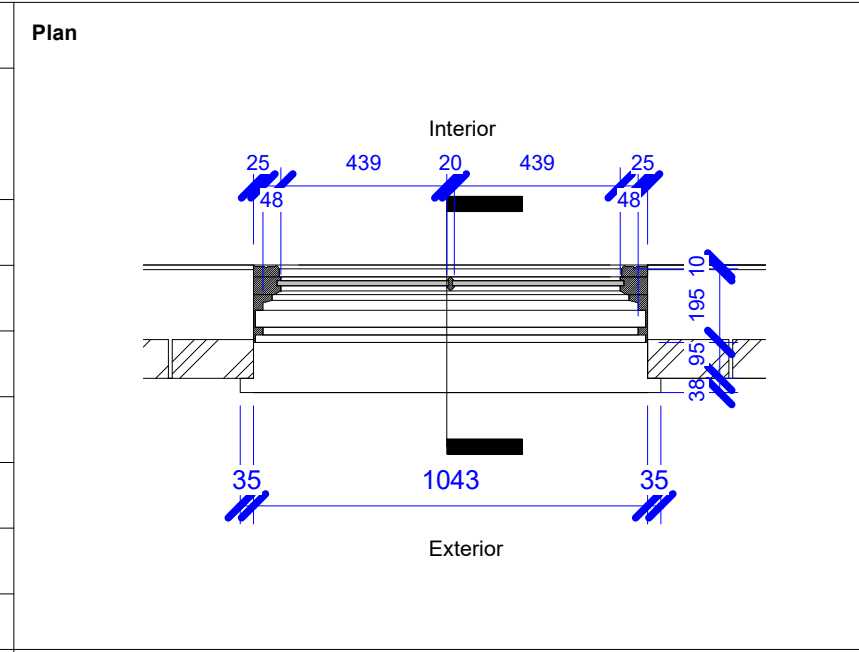
**Structural Opening - 1042.5 x 1332mm**

**Type - Sash Window**

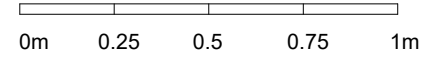
**Finish - Timber with white paint**

**Glazing - Single**

**Quantity - 1**



- general notes
1. This drawing is copyright In Situ Architects and must not be copied in whole or part without prior consent.
  2. Do not scale from this drawing.
  3. Refer to drawing number.
  4. This drawing is to be read in conjunction with all other relevant architects and engineer's drawings.
  5. All dimensions to be checked on site prior to commencement of works and any discrepancies are to be checked with the architect immediately.
  6. Unless otherwise stated all dimensions are in mm.
  7. Not for construction



**Existing Window - EW05**

**Location - Kitchen**

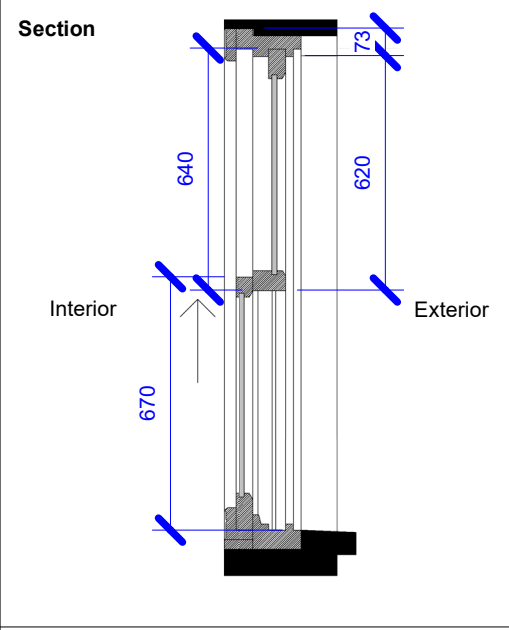
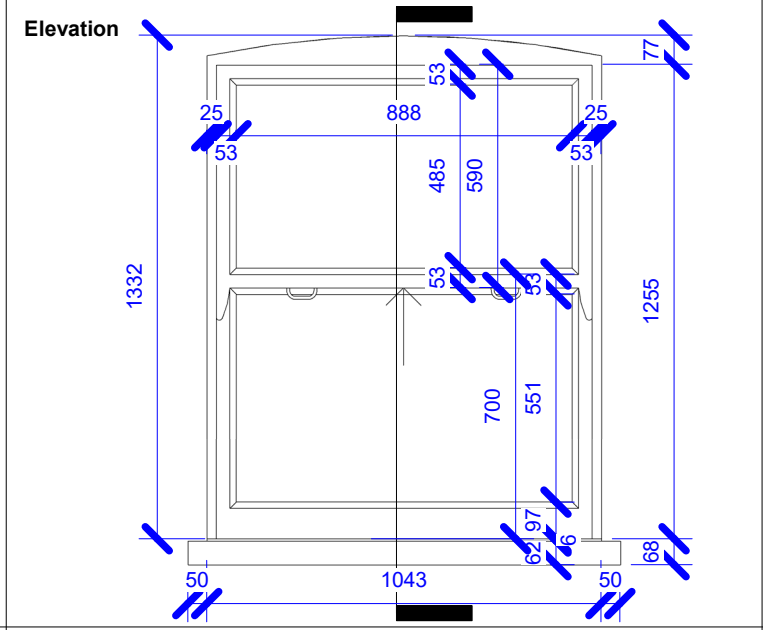
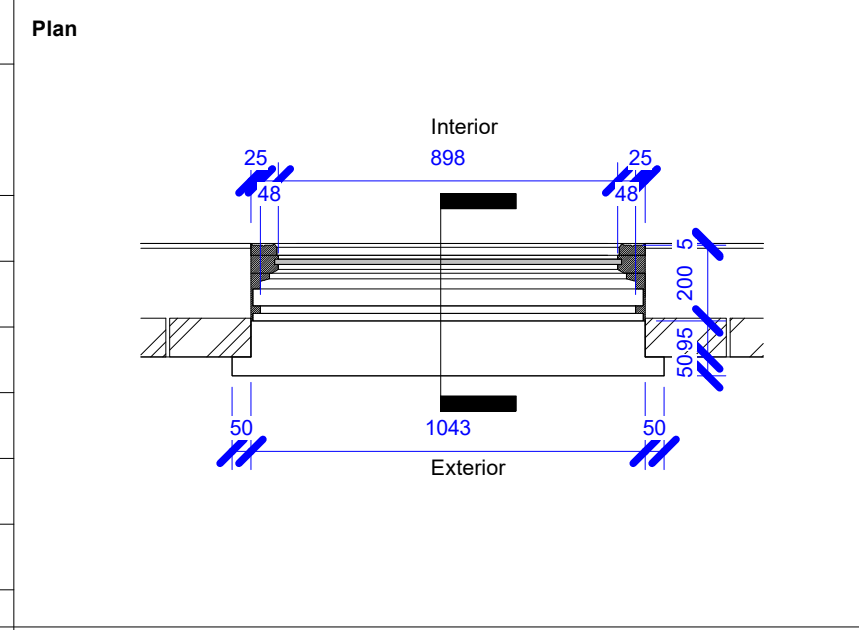
**Structural Opening - 1042.5 x 1332mm**

**Type - Sash Window**

**Finish - Timber with white paint**

**Glazing - Single**

**Quantity - 1**



**Existing Window - EW06**

**Location - Kitchen**

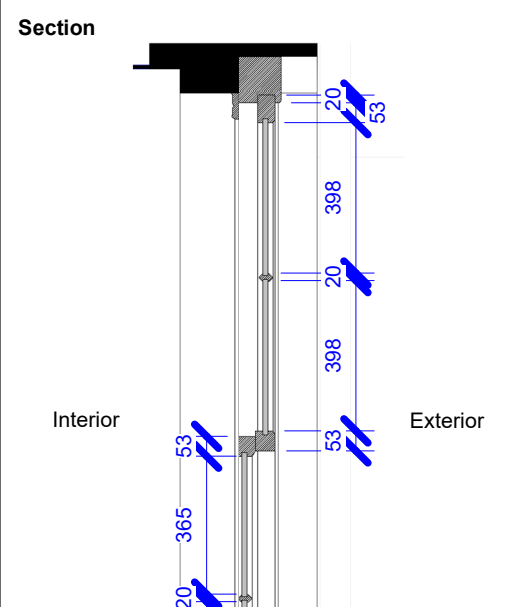
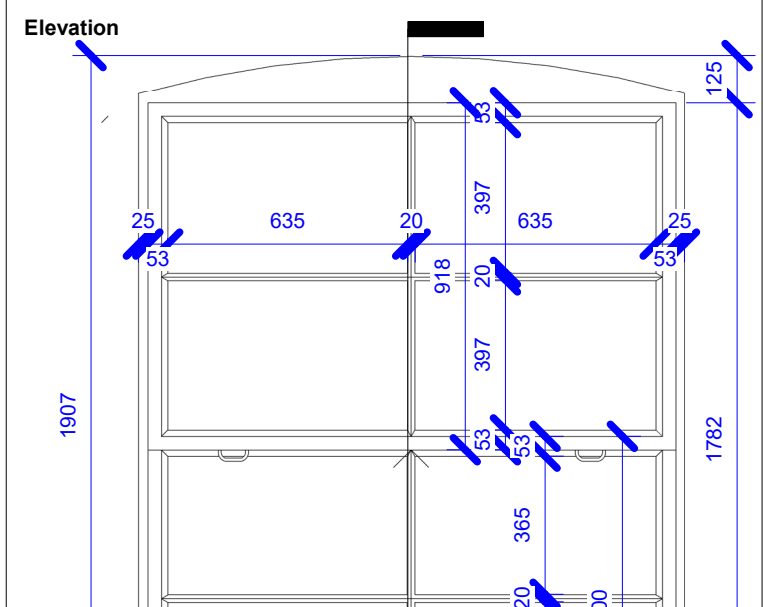
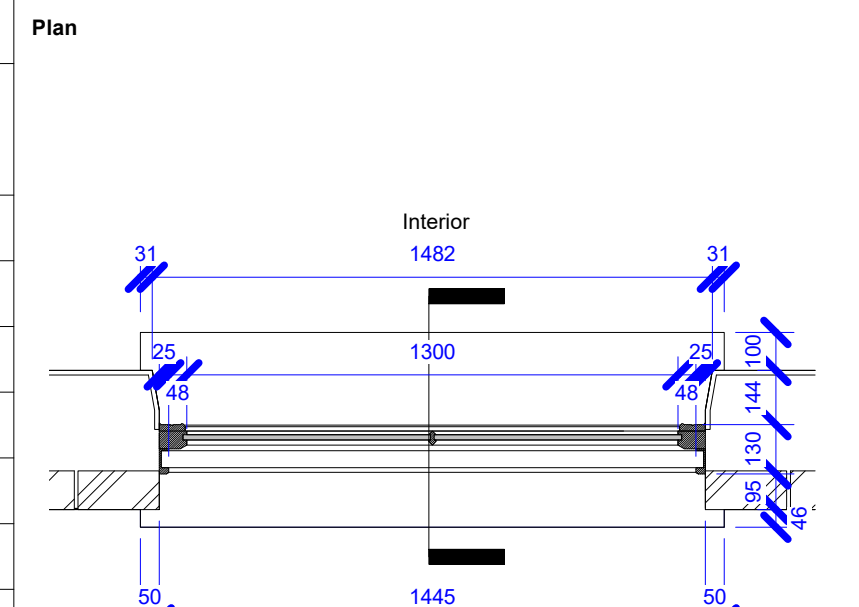
**Structural Opening - 1445 x 1907mm**

**Type - Sash Window**

**Finish - Timber with white paint**

**Glazing - Single**

**Quantity - 1**



rev	date	description	dw
-----	------	-------------	----

client **Jack and Helene Reardon Bond**

project **7a Bartholomew Rd**

status

drawing title **Existing Window Details 02**

drawing no **IS\_A\_0506**  
project no - originator - volume - level - type - role - number

scale **1 : 20** **06/06/23** **SK**  
 original **A3** **SB**

**IN SITU**  
 address **39 Eric Street, London, E3 4TG**  
 telephone **+44 (0)777 276 0270**  
 email **simon.insitu@gmail.com**  
 website **www.insitulondon.com**

