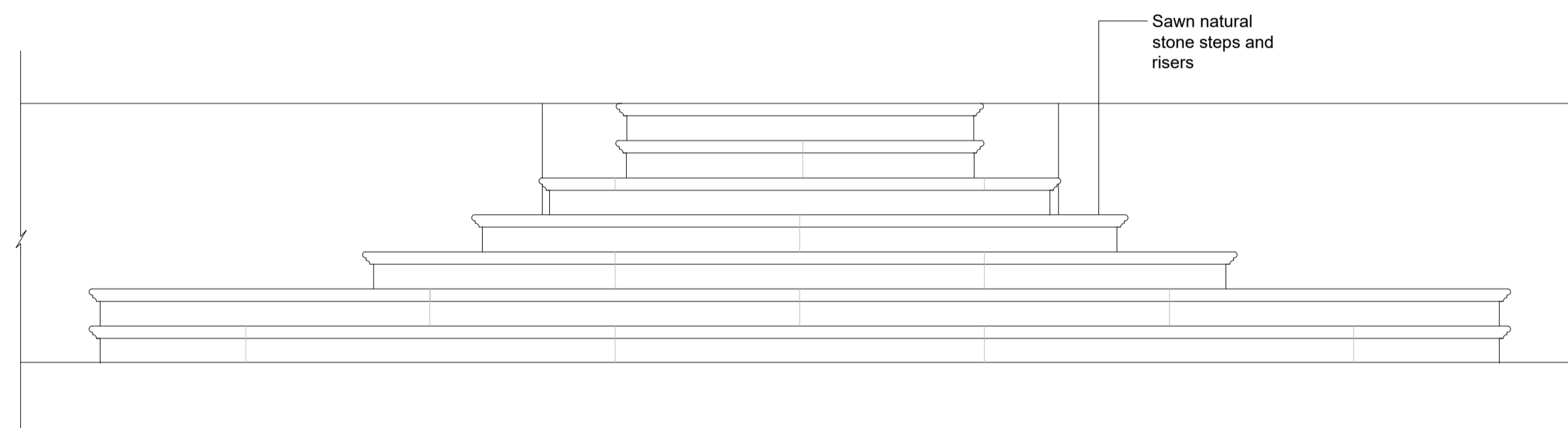
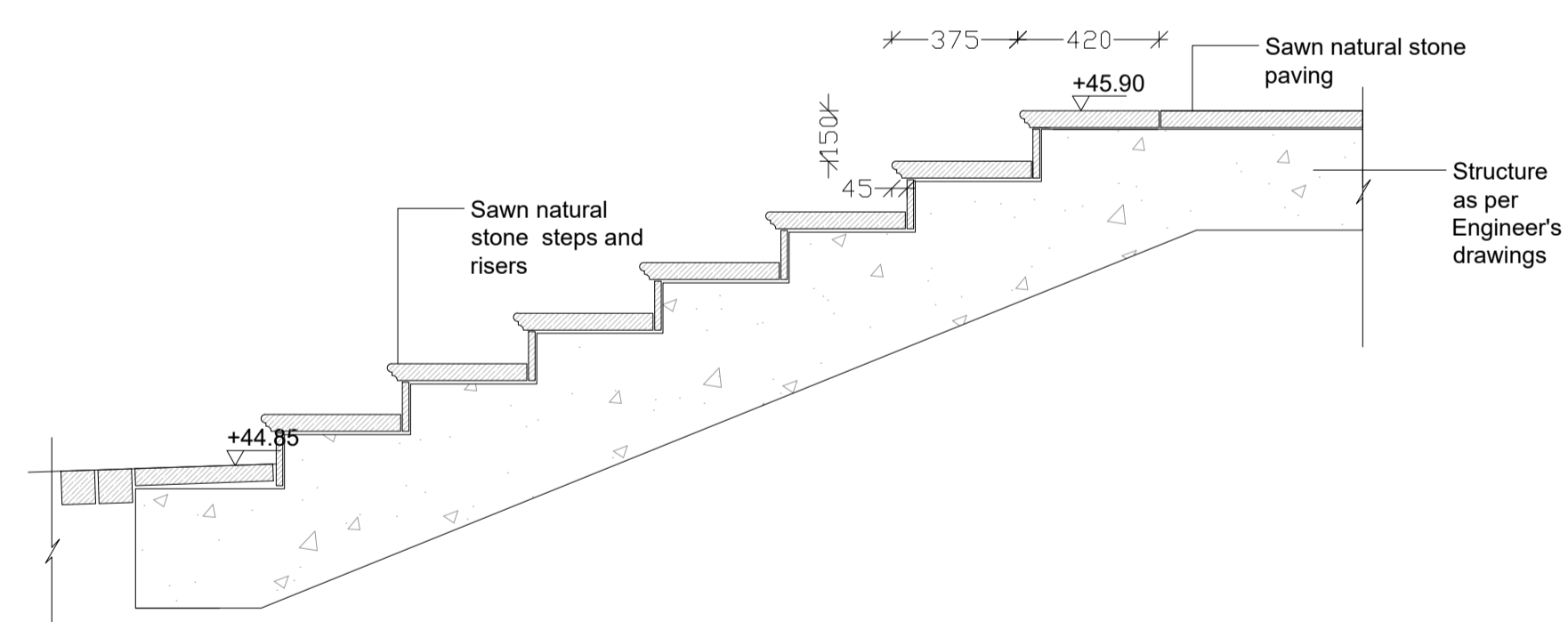




01 Main steps - Plan  
302 1:20@ A1



02 Main steps - Elevation  
302 1:20@ A1



03 Main steps - Section  
302 1:20@ A1

DOMVS  
LONDON

[WWW.DOMVSLONDON.COM](http://WWW.DOMVSLONDON.COM)

**PROJECT:**  
52 AVENUE ROAD

**TITLE:**  
HARD LANDSCAPE  
DETAILS SHEET 2

Date: MAY 2023

Scale: 1:20 @ A1 Drawn: JCGD

**DRAWING NUMBER: 132-302**