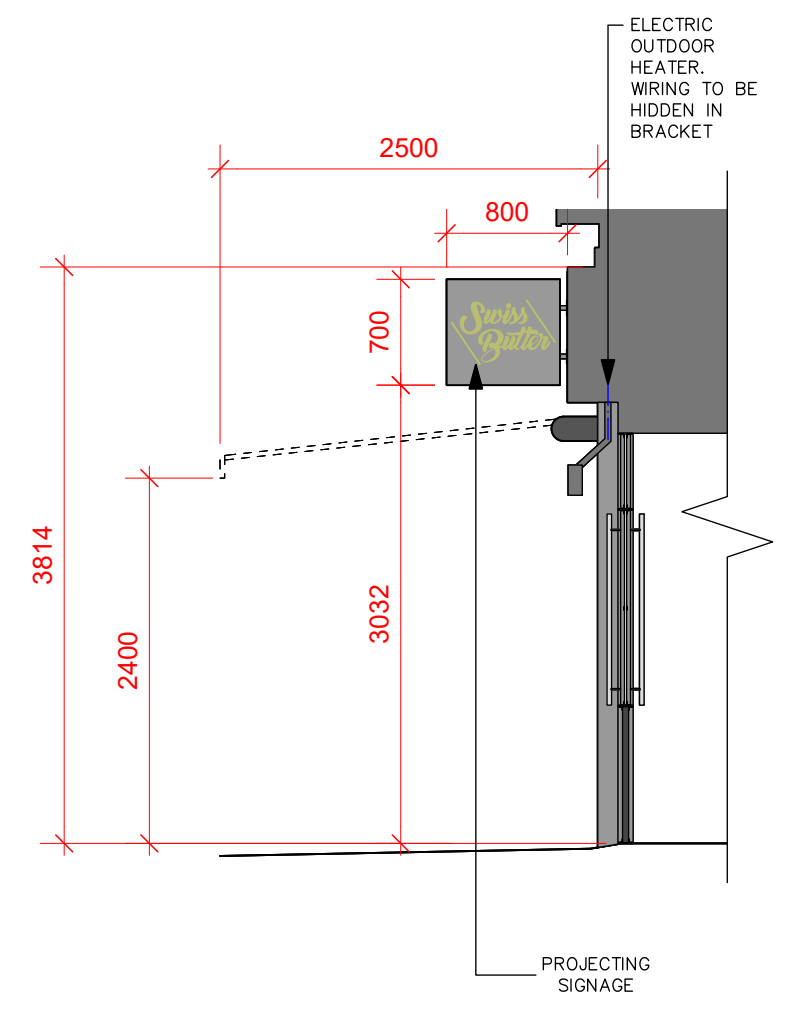
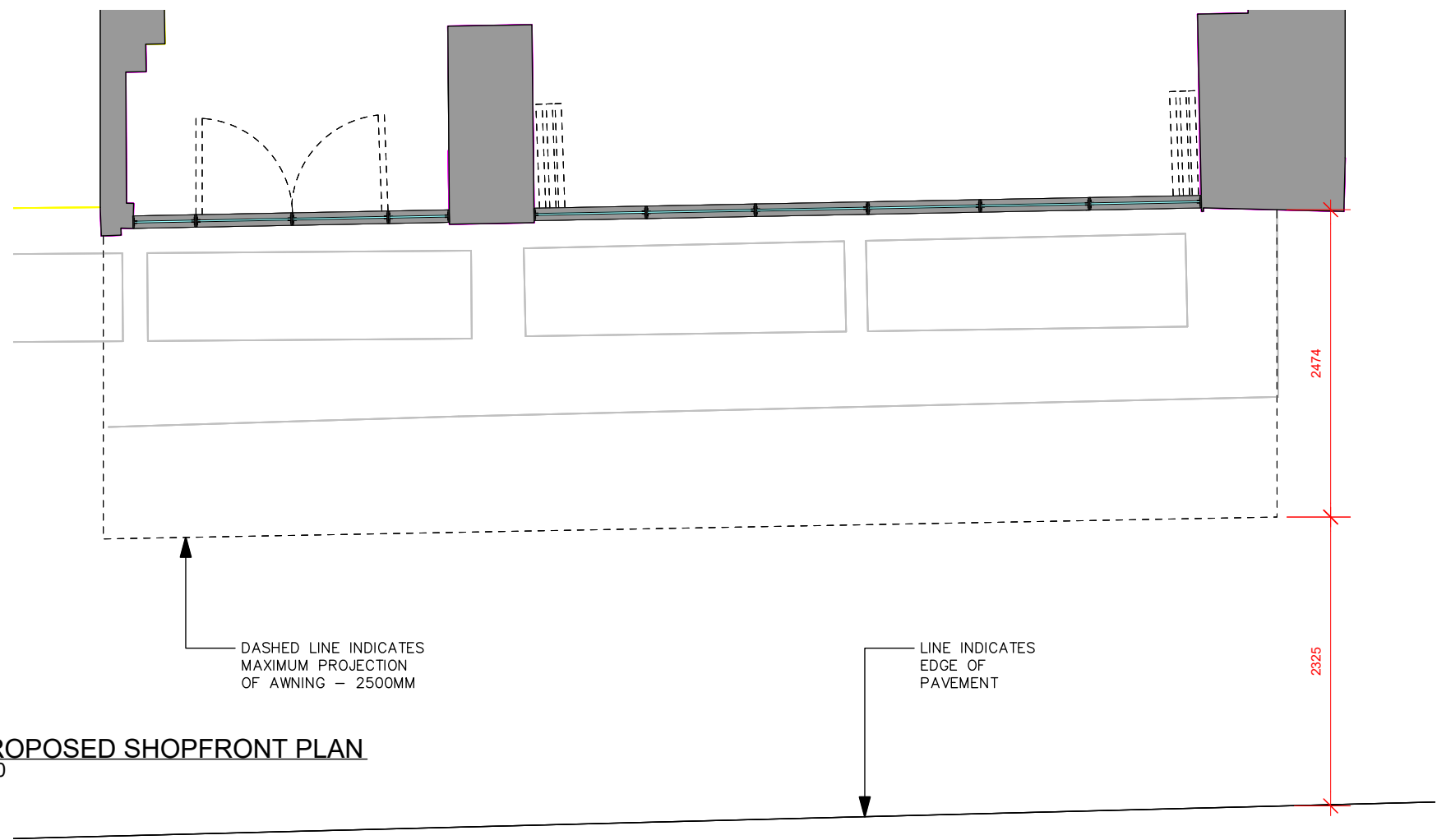


1 PROPOSED SHOPFRONT ELEVATION A
1:50

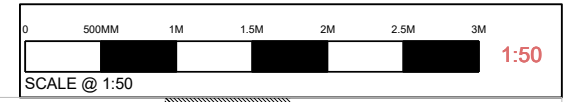


2 SECTION
1:50

NOTE: THIS DRAWING REPLACES CAULDER MOORE DRAWING NO. 2893-302



2 PROPOSED SHOPFRONT PLAN
1:50



drawing		<p>H&J architects</p> <p>12 Blackstock Mews London N4 2BT</p> <p>t: +44 (0) 20 7998 7651 m: +44 (0) 78 8267 6709 e: mail@hjarchitecture.co.uk</p> <p>This drawing and design is for use solely in connection with the project described below. The drawing and the design is the copyright of H and J architecture and must not be reissued, loaned or copied without written consent. All dimensions and setting out to be checked on site before construction. Do not scale from this drawing. The drawing is to be read in conjunction with all other information relevant to the project. Any apparent discrepancy to be brought to the attention of the architect.</p>
Planning Application: Shopfront as Proposed		
drawing number 2318-PA-SF-11	revision -	
status PLANNING	scale 1:50	
project 114-118 Southampton Row		size A3