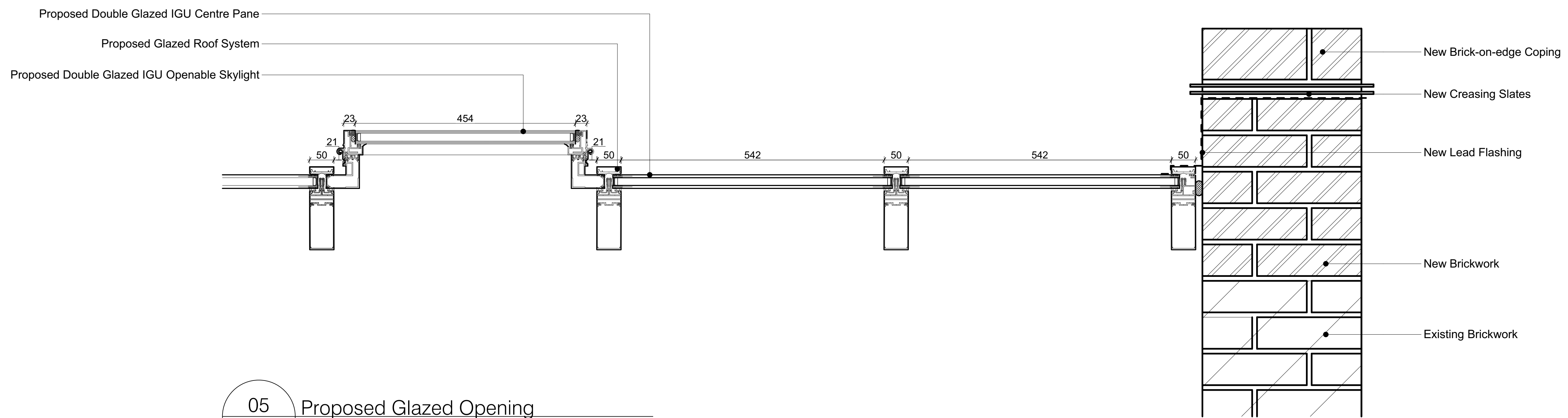
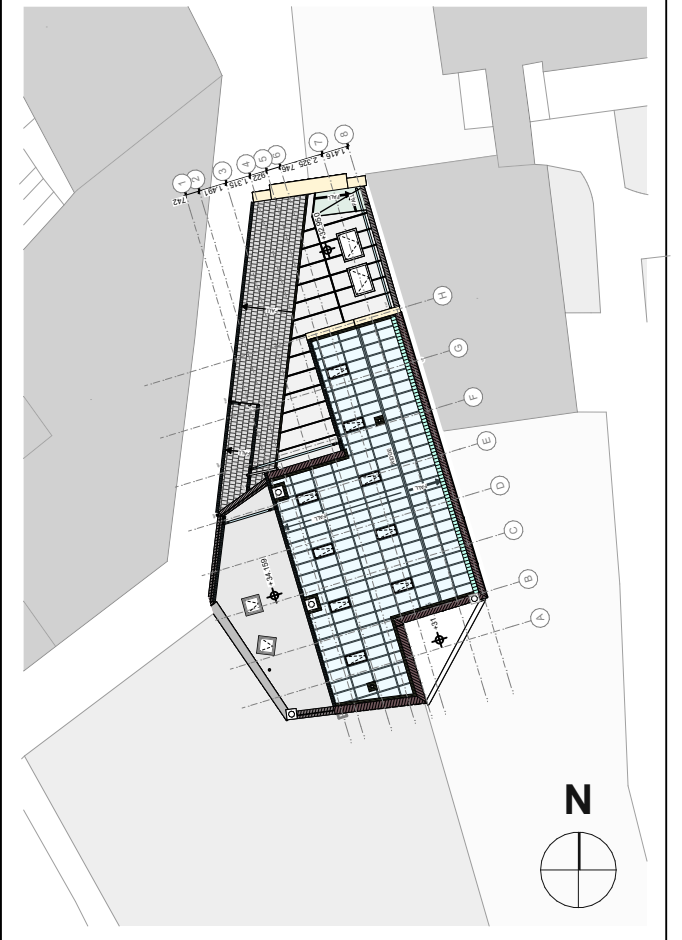


**NOTES**

1. This drawing remains the copyright of Chapman Architects. Do not copy, transfer or re-assign this drawing in digital or hardcopy format to a third party without written consent of Chapman Architects.
2. Do not scale from drawings. Only use stated dimensions. Check all dimensions on site and please report any discrepancies to architect.
3. Drawings to be read in conjunction with other consultant's drawings and specifications.
4. The Consultant shall not in the carrying out of its Services offer fire safety advice. All fire safety advice will be taken from a fire engineer engaged directly by the client.

**ZONE PLAN**



05 Proposed Glazed Opening  
7013 1:5 @ A1

**KEY**

P01	Planning Submission	ID	AB	05.06.23
rev	description	drawn	checked	date

**FLITCROFT STREET**  
1 - 5 FLITCROFT STREET, LONDON

**Roof Detail 05**

project ref	scale(s)	original paper size
1907	1:5	A1

name :	project	originator	volume	level	type	role	number
	FLITC	CA	00	ZZ	DR	A	7013

status :	suitability	description :
<b>D5</b>	<b>SUITABLE FOR PLANNING</b>	
revision :	revision	description :
<b>P01</b>		