

36mm PROJETION FROM ROOF TILE

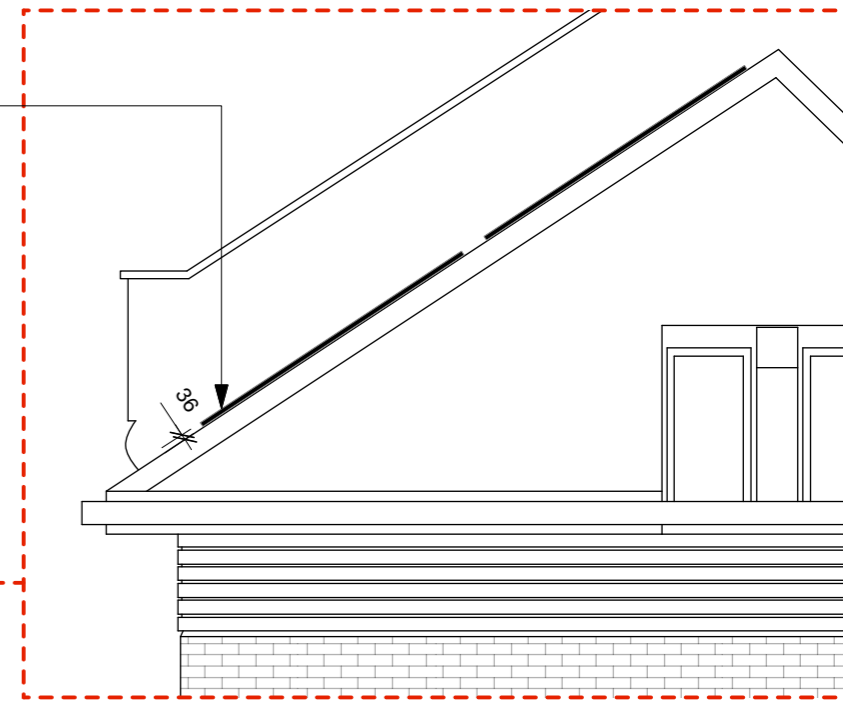
12no. JA SOLAR PANELS TO FRONT ROOF SLOPE



1 Existing Side Elevation  
Scale: 1:100



2 Proposed Side Elevation  
Scale: 1:100



3 Roof Detail  
Scale: 1:50



SCALE 1:100@A3  
0m 1m 2m 3m 4m 5m 10m

REVISION		
DATE		SCALE 1:100@A3
PROJECT	3 DOWNSHIRE HILL	
CLIENT	TOBY COPPELL	
DRAWING TITLE	EXISTING & PROPOSED FRONT ELEVATIONS	
DRAWING No.	EX_002	
ISSUE		

**TR STUDIO**  
Architecture | Interiors

14 Bride Lane  
St Bride Foundation, London  
EC4Y 8EQ  
T: +44 (0)203 567 0569  
E: office@trstudio.co.uk  
W: www.trstudio.co.uk

This drawing must not be scaled from nor should it be used for the calculation of areas for the purposes of valuation. All dimensions are indicative and must be verified on site prior to the commencement of any works. This drawing must be read in conjunction with all necessary information from all other design consultants and contractors. All works must comply with the relevant British standards and building control requirements. Drawing errors to be reported to the Architect.