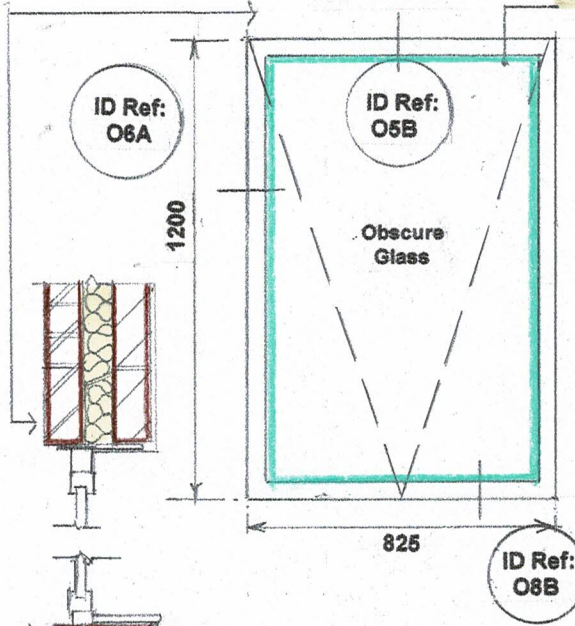
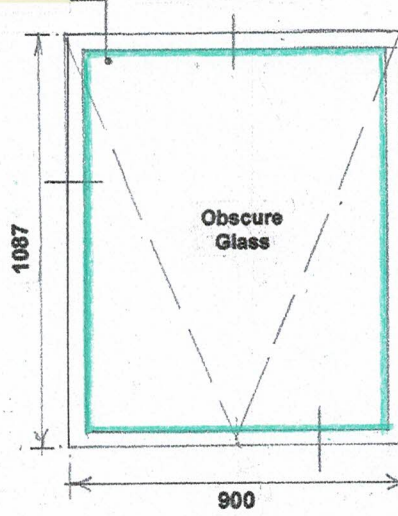


**DISCHARGE OF PL'G  
COND'NS 3 (a)**

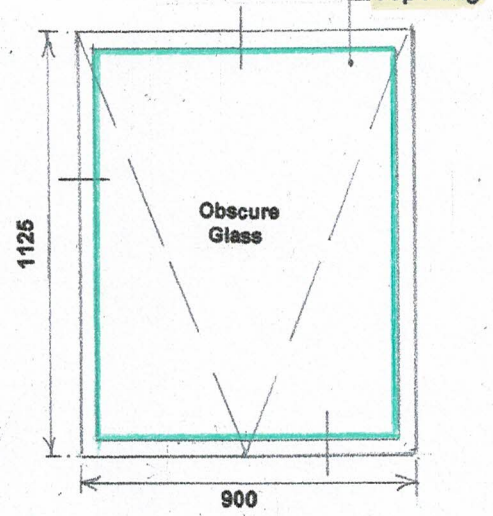
**Type A  
(Side Elev'n)**



**Type B  
(Rear Elev'n)**

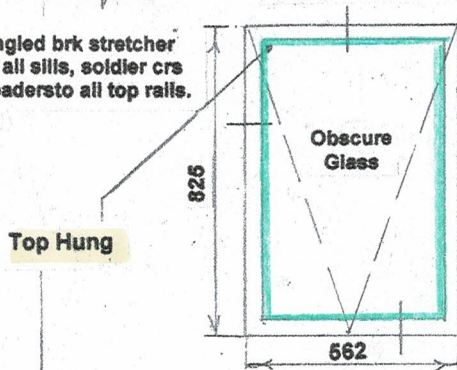


**Type C  
(Rear Elev'n)**

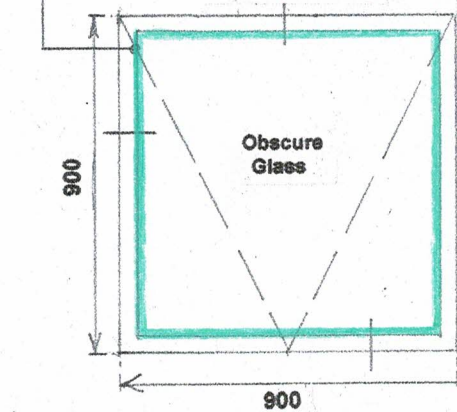


**Type D  
(Rear Elev'n)**

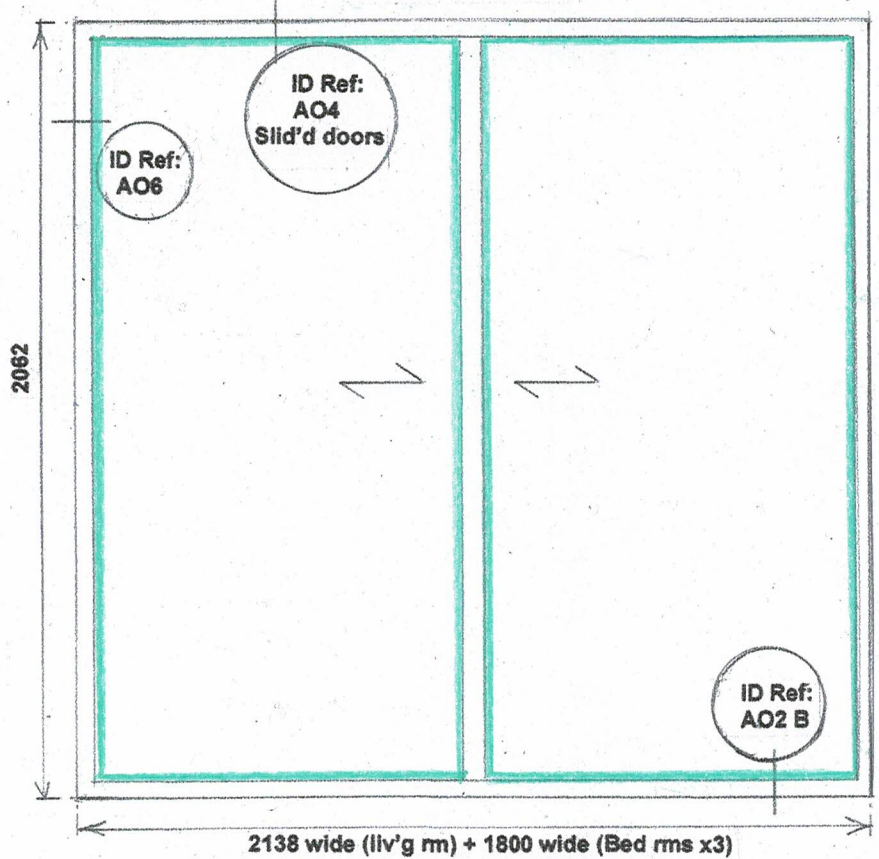
Angled brk stretcher to all sills, soldier crs headersto all top rails.



**Type E  
(Rear Elev'n)**



**Types F&G  
(Rear Elev'n)  
Twin Slid'g Track**



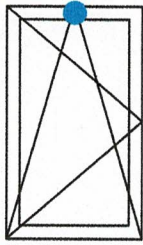
**WINDOW & SLIDING DOORS PROFILES**

- All head, sill & jamb references are identical to all window sections.
- Slid'g door refs same for both sizes
- Colour coated alum'n finish, colour to be agreed prior to const'n.
- All sashes to be top hung
- Profiles located in conjunction with Plann'g Elev'ns Drgs /10H & /11H

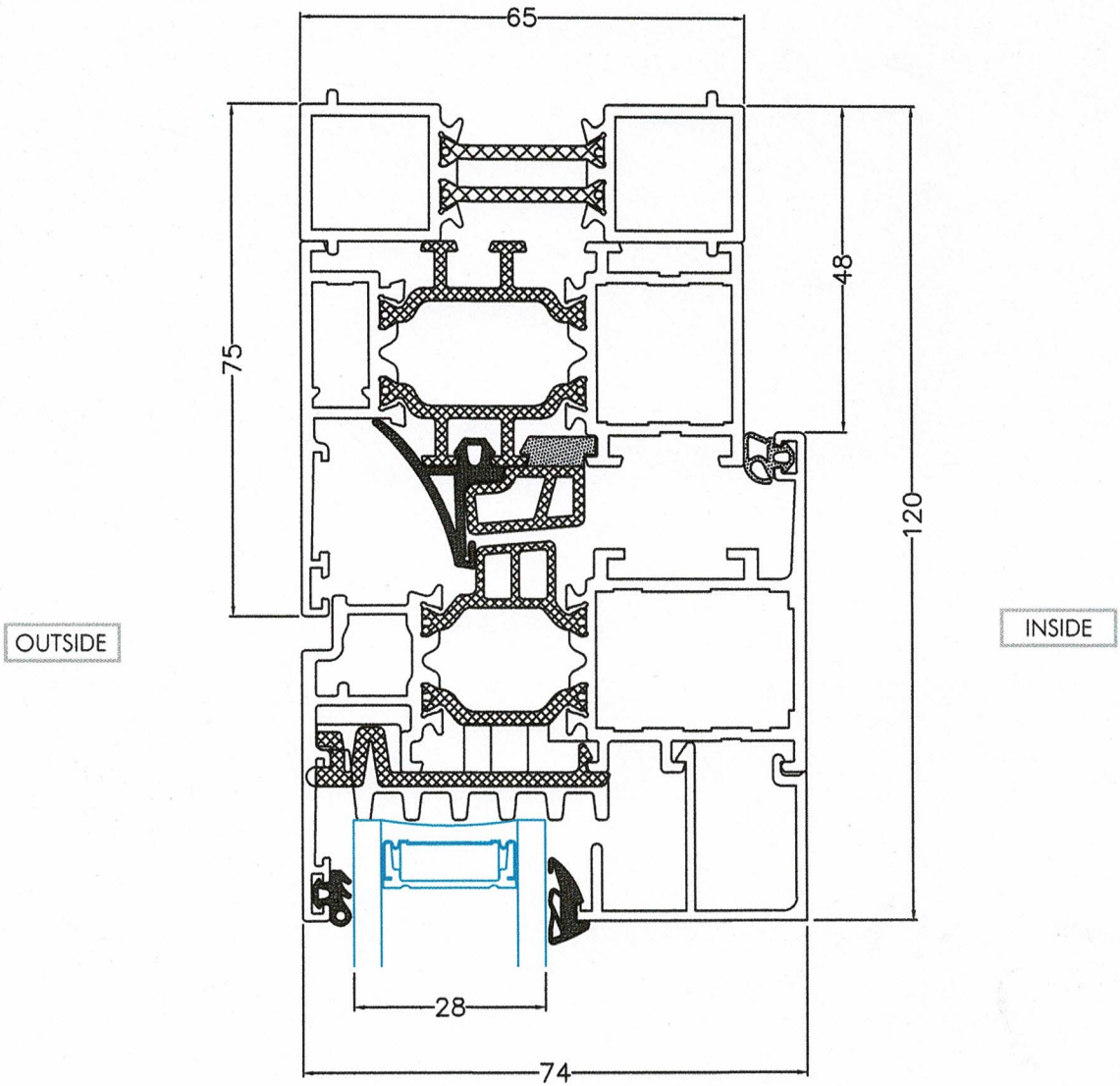
Revision	Date	Description	By	Ch'kd

**WINDOW & SLIDING DOOR  
REFERENCES & PROFILES**

# WINDOW SECTIONS - HEADS



Top Hung



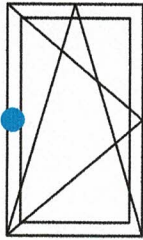
Description **Vertical Section**  
**65mm Outer Frame (Top Rail) - Tilt & Turn Vent Sash With Frame**  
**Extension**

Detail No: **IDS65-A-05B**

System: **IDS65 Eco** **A**

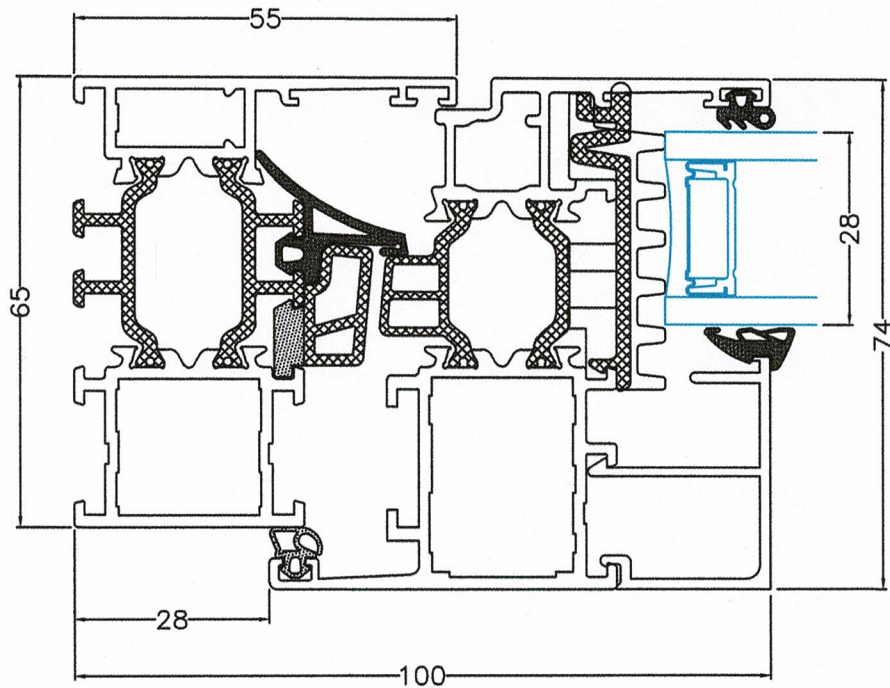


# WINDOW SECTIONS - JAMBS



Top Hung

OUTSIDE



INSIDE

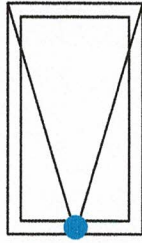
Description **Horizontal Section**  
**65mm Outer Frame (Hinge Side Rail) - Tilt & Turn Vent Sash**

Detail No: **IDS65-A-06A**

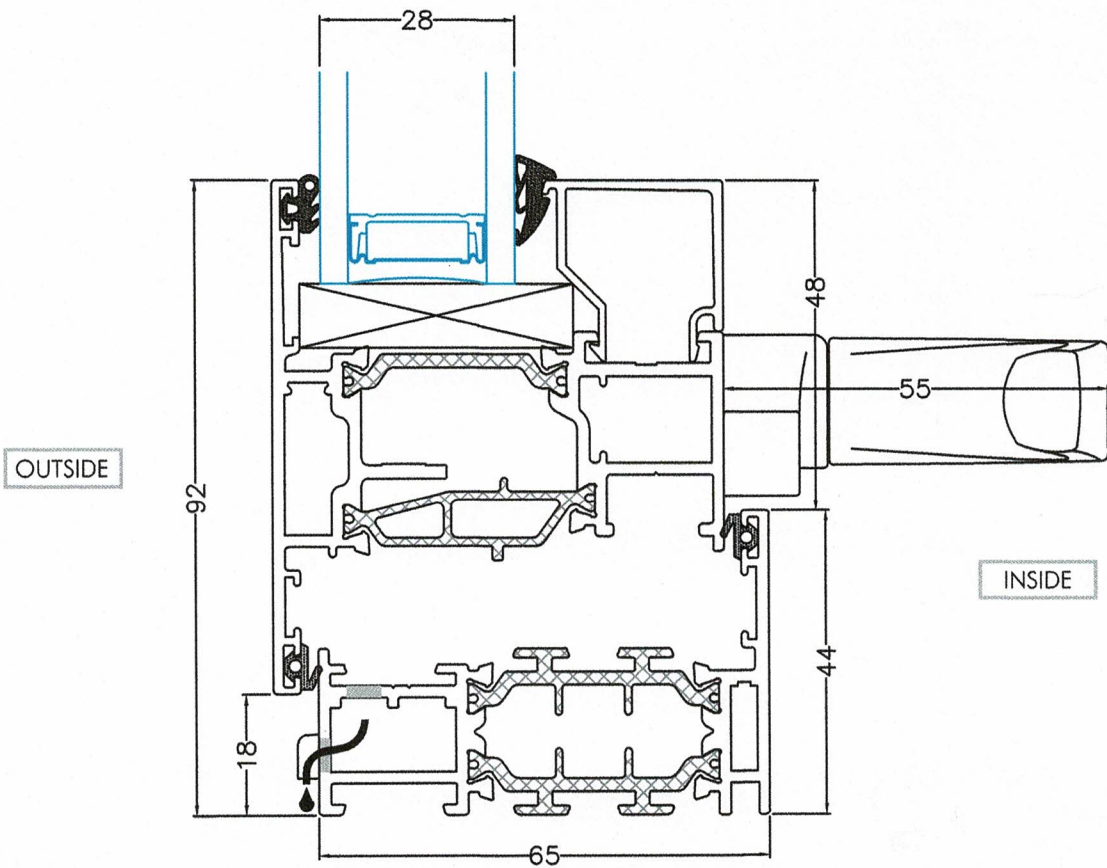
System: **IDS65 Eco**

**A**

# WINDOW SECTIONS - SILLS



Top Hung



Description **Vertical Section**  
**65mm Outer Frame (Bottom Rail) - Top Hung Casement Vent Sash**

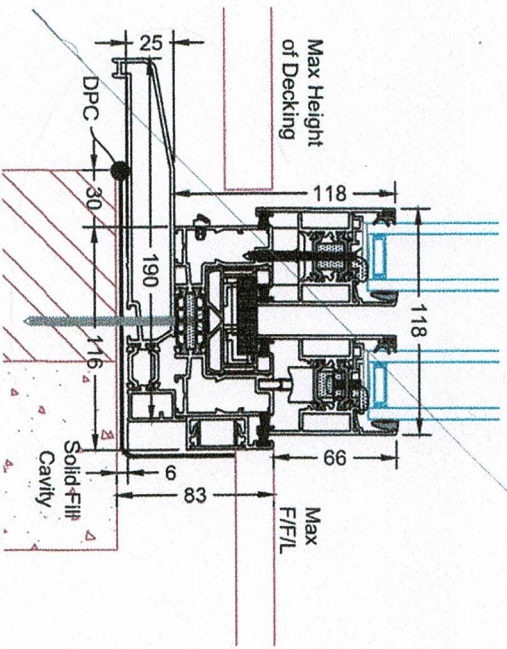
Detail No: **IDS65-A-08B**

System: **IDS65 Eco** **A**

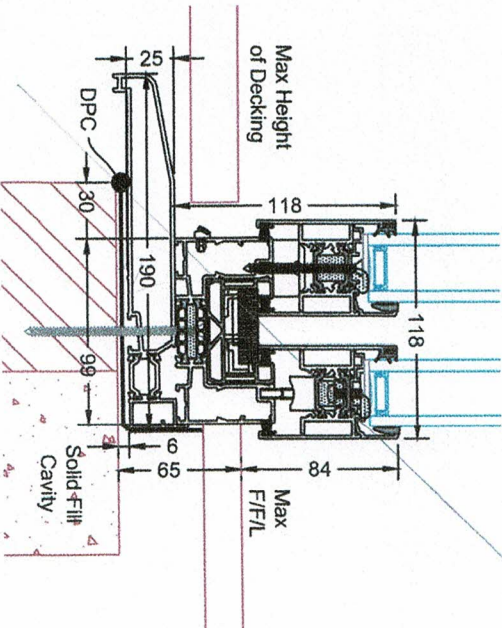


# SLIDING DOOR SECTIONS - SILL

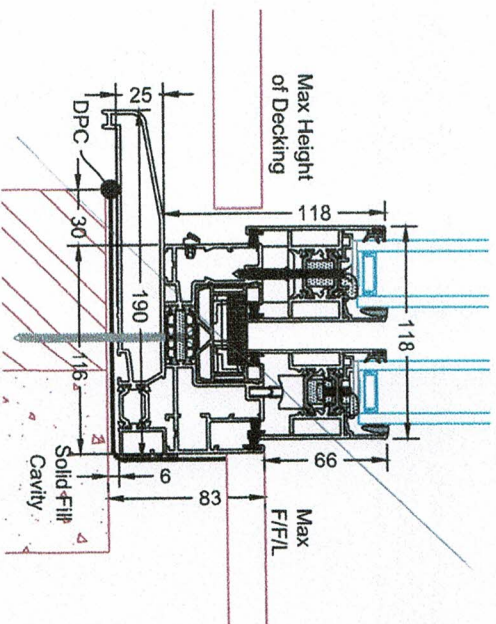
Twin Track on a Sill  
With Internal  
Flush Floor Detail



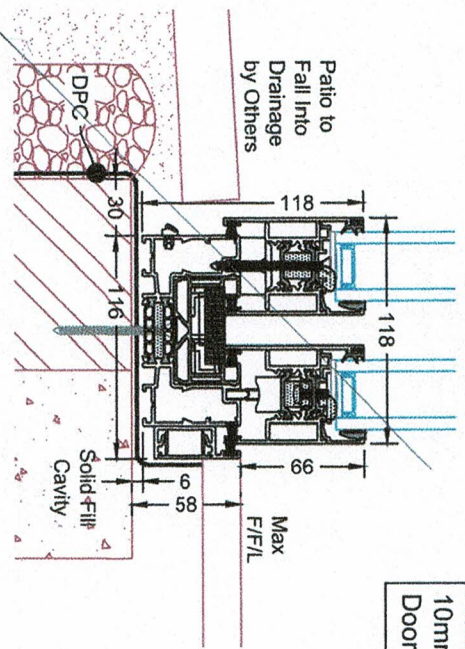
Twin Track on a Sill  
With Non-Flush  
Internal Floor Detail



Twin Track 190mm Sill  
With Flush Internal Profile All Round

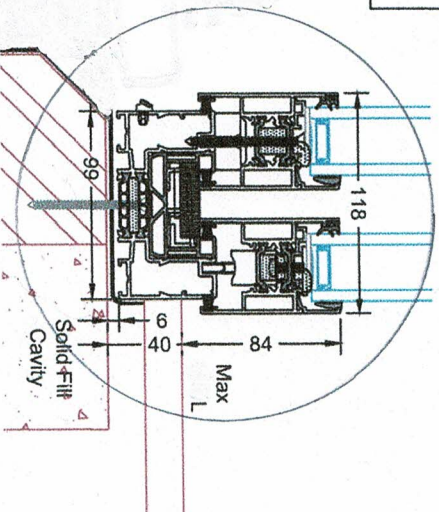


Twin Track  
With Internal  
Flush Floor Detail

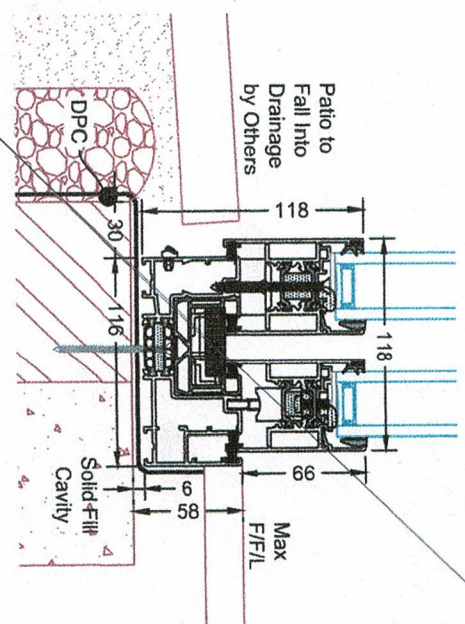


Note: All External  
Floor Finishes to be  
10mm Back from  
Door Sash

Twin Track  
With Non-Flush  
Internal Floor Detail

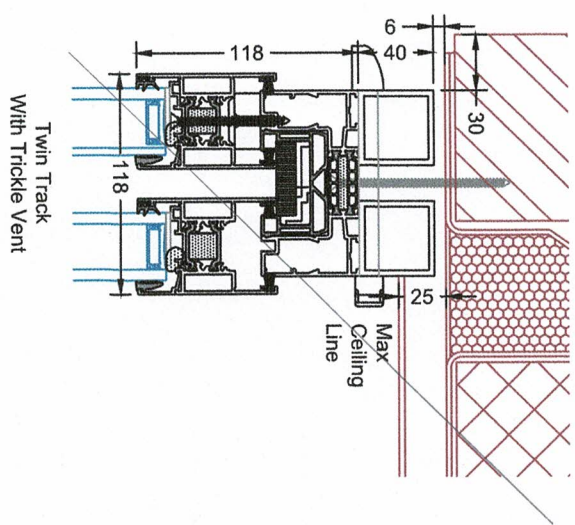
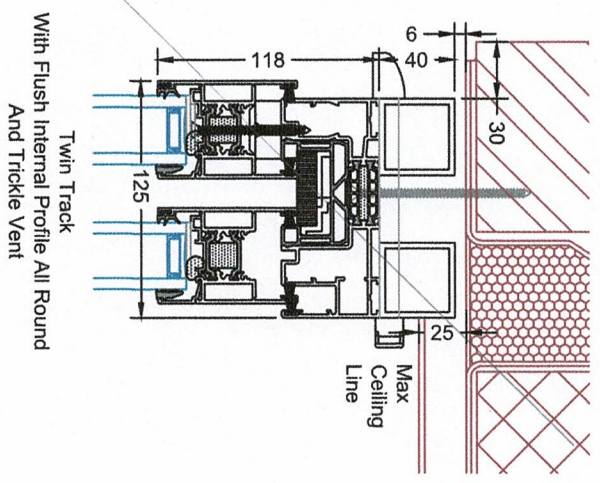
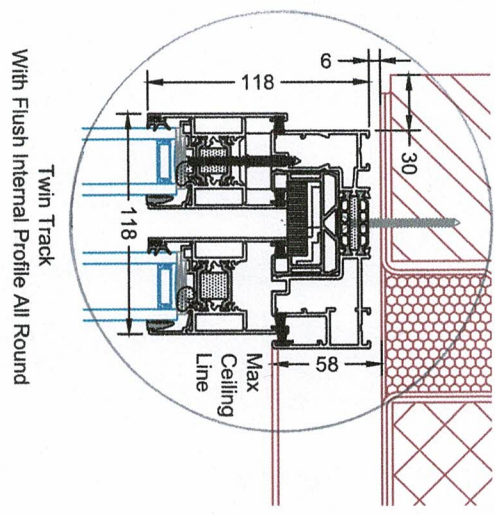
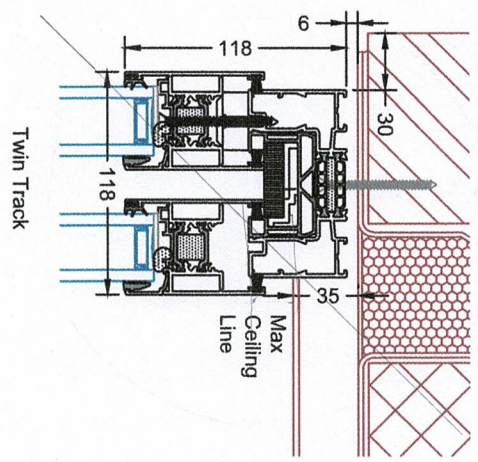


Twin Track  
With Flush Internal Profile All Round



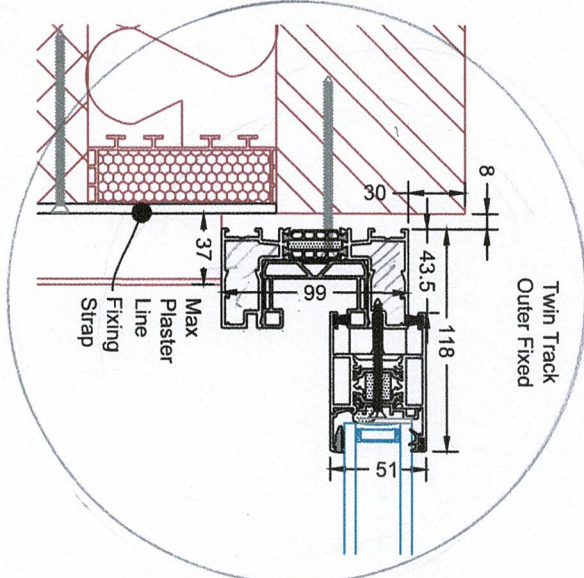


**SLIDING DOOR SECTIONS - HEAD**

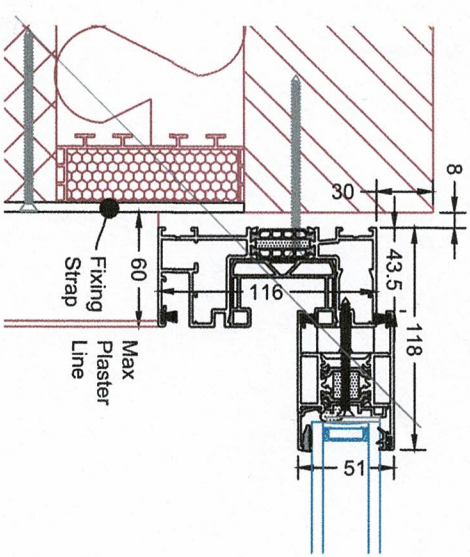




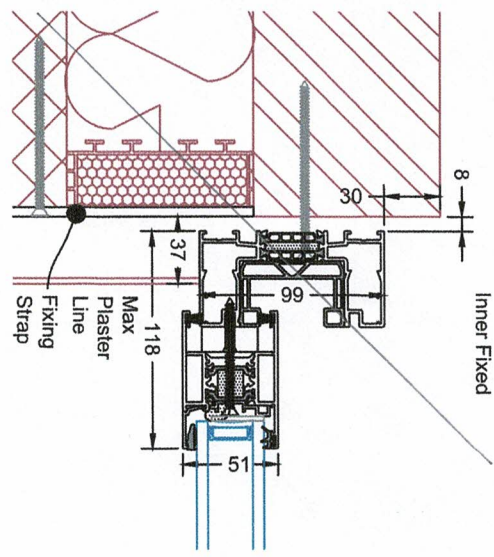
# SLIDING DOOR SECTIONS - JAMB



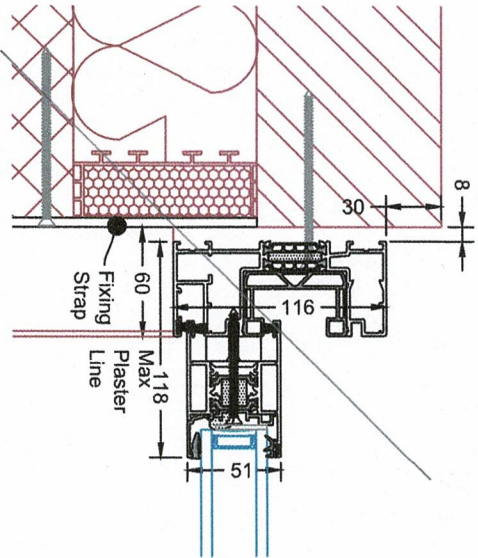
Twin Track  
Outer Fixed



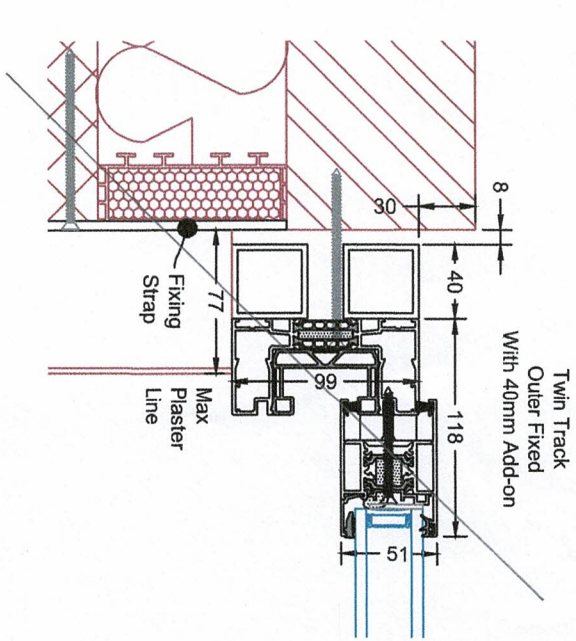
Twin Track  
With Flush Internal Profile All Round  
Outer Fixed



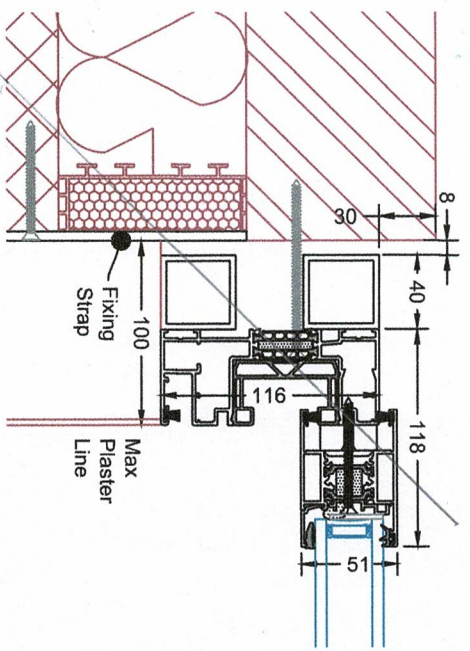
Twin Track  
Inner Fixed



Twin Track  
With Flush Internal Profile All Round  
Inner Fixed



Twin Track  
Outer Fixed  
With 40mm Add-on



Twin Track  
With Flush Internal Profile All Round  
40mm Add-on