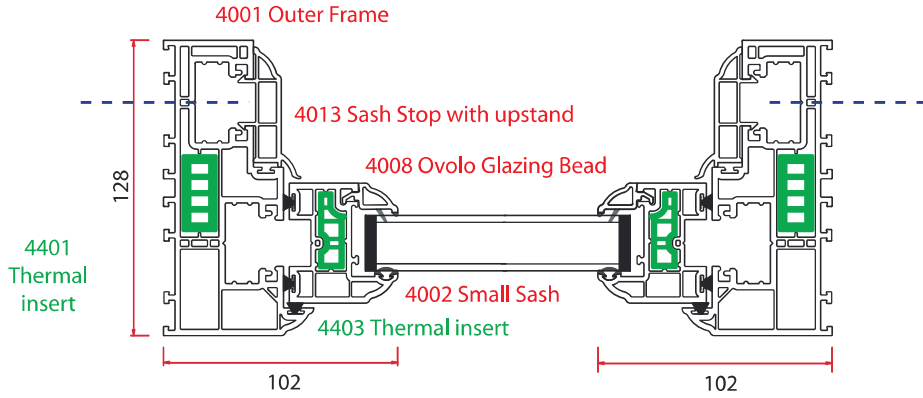
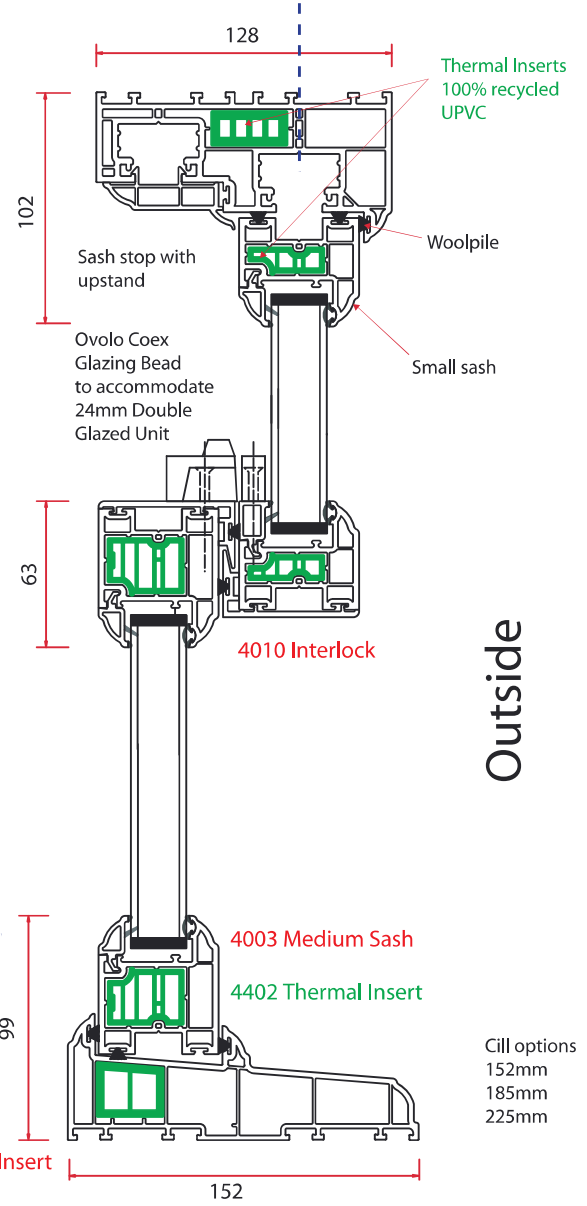


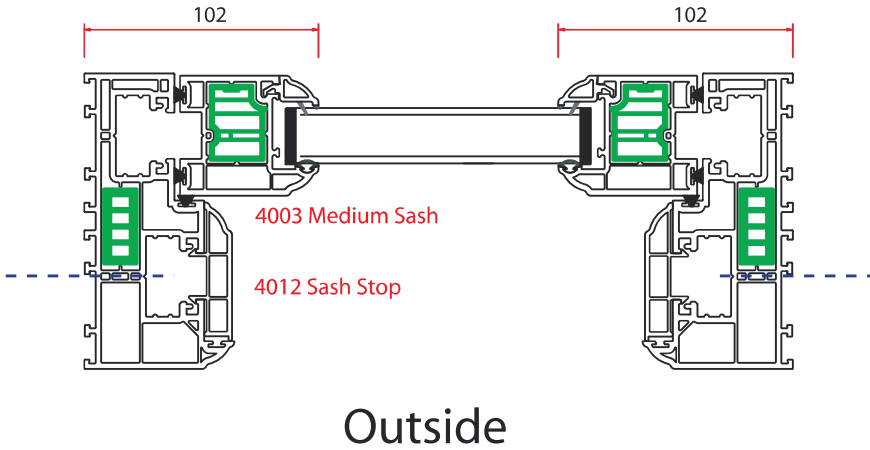
## Horizontal section through top sash



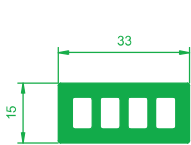
## Vertical section through sash



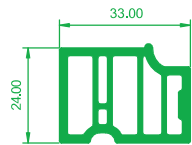
## Horizontal section through bottom sash



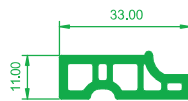
Note: Thermal inserts (coloured green) are manufactured from 100% recycled PVC-U.



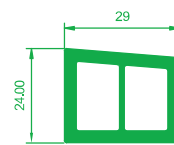
4401  
Thermal Insert  
For 4001 Outer Frame



4402  
Thermal Insert  
For 4003 Medium Sash



4403  
Thermal Insert  
For 4002 Small Sash



4405  
Thermal Insert  
For 4005, 4006, 4407 cill